






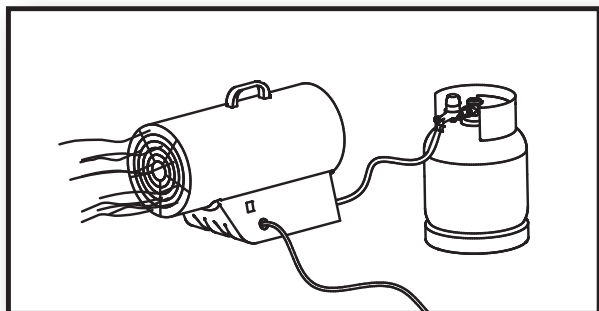


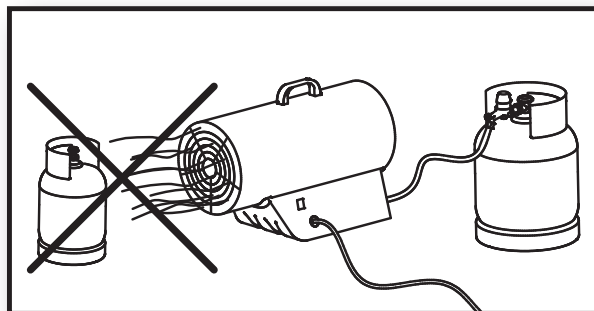
TECHNICAL DATA - DATI TECNICI - TECHNISCHE DATEN - DATOS TÉCNICOS - DONNÉES TECHNIQUES - TECHNISCHE GEGEVENS - DADOS TÉCNICOS - TEKNISCHE DATA - TEKNISET TIEDOT - TEKNISCHE DATA - TEKNISKA DATA - DANE TECHNICZNE - ТЕХНИЧЕСКИЕ ДАННЫЕ - TECHNICKÉ ÚDAJE - MŰSZAKI ADATOK - TEHNIČNI PODATKI - TEKNİK VERİLER - TEHNIČKI PODACI - TECHNINIAI DUOMENYS - TEHNISKIE DATI - TEHNILISED ANDMED - DATE TEHNICE - TECHNICKÉ ÚDAJE - ТЕХНИЧЕСКИ ДАННИ - ТЕХНІЧНІ ДАНІ - TEHNIČKI PODACI - ТЕХНИКА ДАДОМЕНА - 技术参数 - ТЕХНИКАЛЫҚ КӨРСЕТКІШТЕР

MODEL	17	33M	53M	73M
	~220-240 V-B 50 Hz-Гц 0,23 A 53 W-Вт	~220-240 V-B 50 Hz-Гц 0,26 A 60 W-Вт	~220-240 V-B 50 Hz-Гц 0,48 A 110 W-Вт	~220-240 V-B 50 Hz-Гц 0,95 A 218 W-Вт
 MAX	16 kW-кВт 13.800 kcal/h-ккал/ч 54.800 Btu/h-БТЕ/ч	33 kW-кВт 28.400 kcal/h-ккал/ч 112.800 Btu/h-БТЕ/ч	53 kW-кВт 45.600 kcal/h-ккал/ч 181.000 Btu/h-БТЕ/ч	73 kW-кВт 62.800 kcal/h-ккал/ч 249.300 Btu/h-БТЕ/ч
 MIN		18 kW-кВт 15.500 kcal/h-ккал/ч 61.500 Btu/h-БТЕ/ч	36 kW-кВт 31.000 kcal/h-ккал/ч 123.000 Btu/h-БТЕ/ч	49 kW-кВт 42.100 kcal/h-ккал/ч 167.100 Btu/h-БТЕ/ч
	1,16 kg/h-кг/ч	2,4 kg/h-кг/ч	3,78 kg/h-кг/ч	5,02 kg/h-кг/ч
	300 m³/h-м³/ч	1.000 m³/h-м³/ч	1.450 m³/h-м³/ч	2.300 m³/h-м³/ч
	700 mbar-мбар		750÷1.500 mbar-мбар	
	70 kPa-кПа		75÷150 kPa-кПа	
	LPG			
	ΔT 1,5m-м:<70K IP 44			

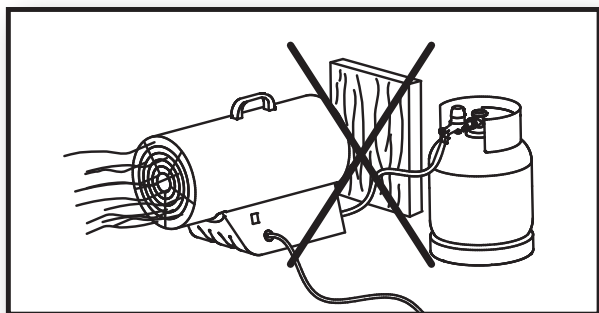
**PICTURES - FIGURE - ABBILDUNGEN - FIGURAS - FIGURES - FIGUREN
- FIGURAS - FIGURER - KUVAT - FIGURER - FIGURER - ILUSTRACJE
- ИЛЛЮСТРАЦИИ - OBRÁZKY - ÁBRÁK - SLIKE - ŞEKİLLER - SLIKE -
ILUSTRACIJOS - ATTĒLI - JOONISED - IMAGINI - OBRÁZKY - СХЕМИ -
МАЛЮНКИ - SLIKE - EIKONES - 图示 - СУРЕТТЕМЕЛЕР**



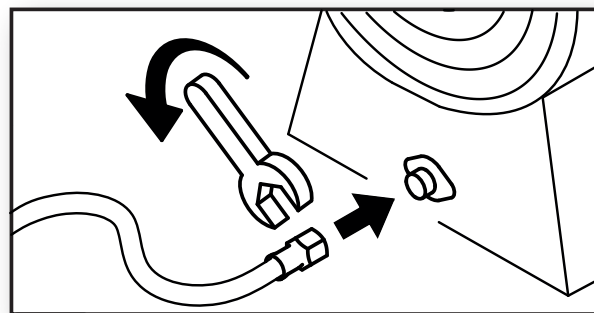
1



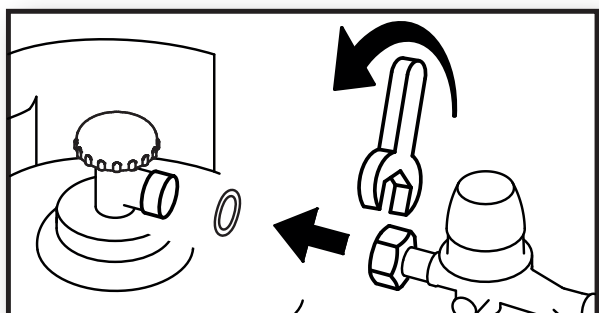
2



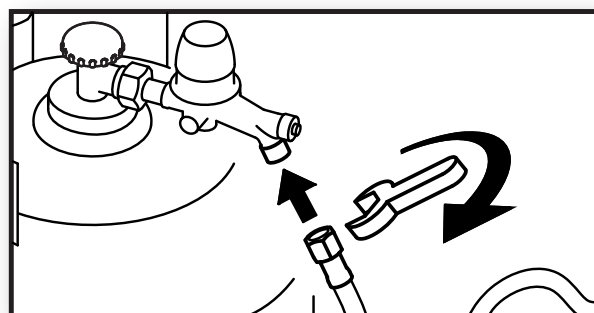
3



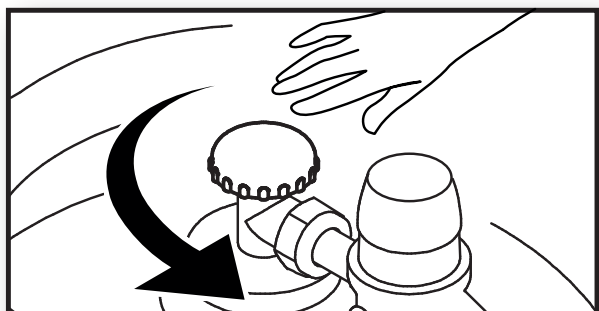
4



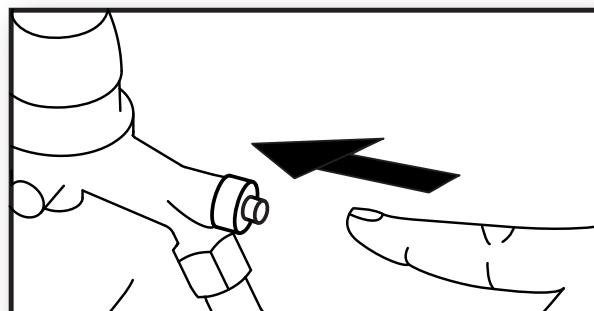
5



6

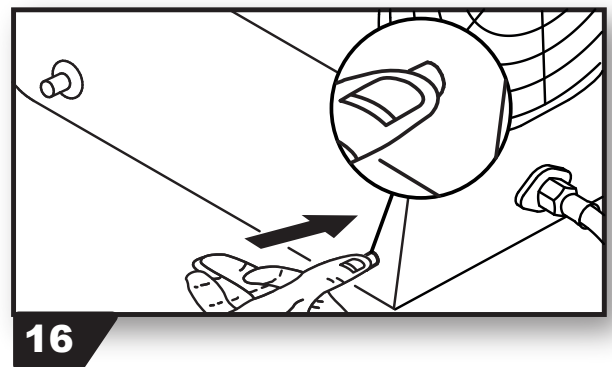
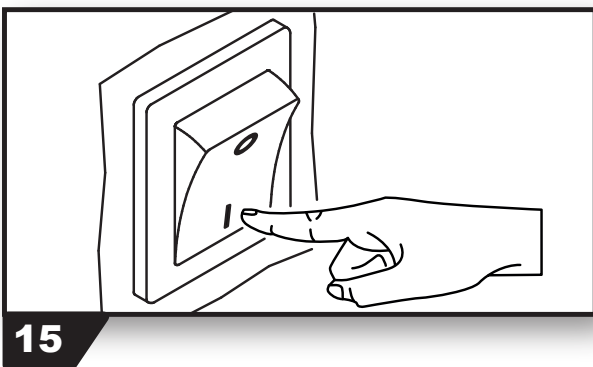
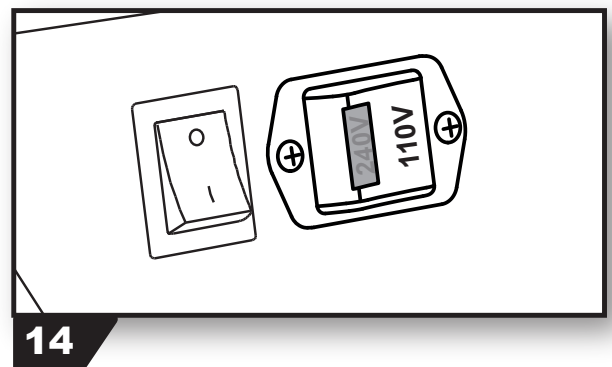
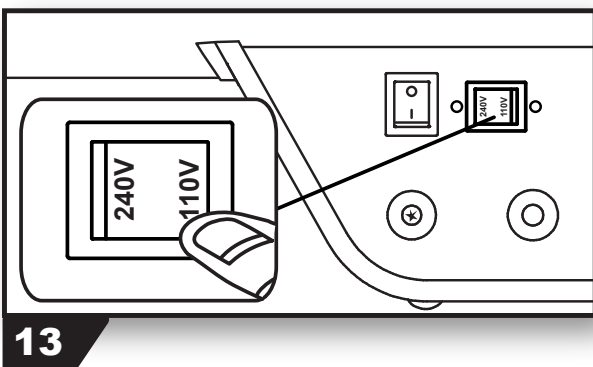
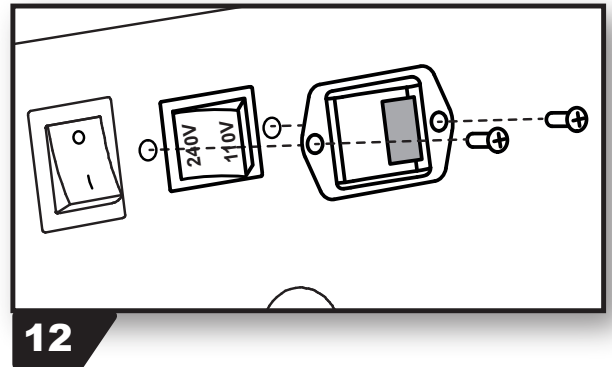
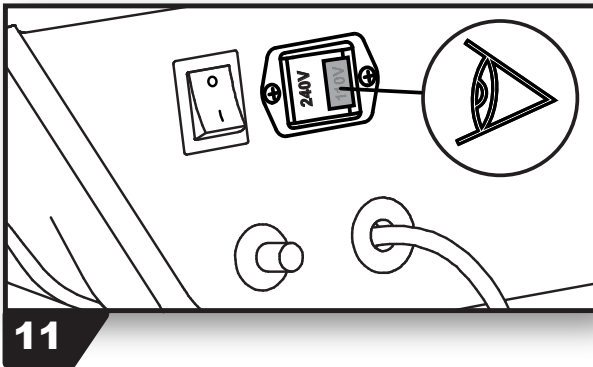
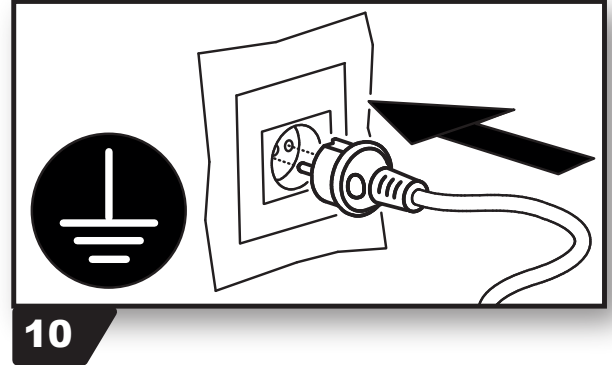
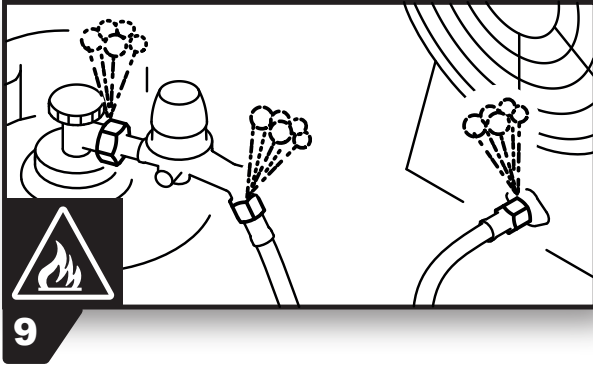


7

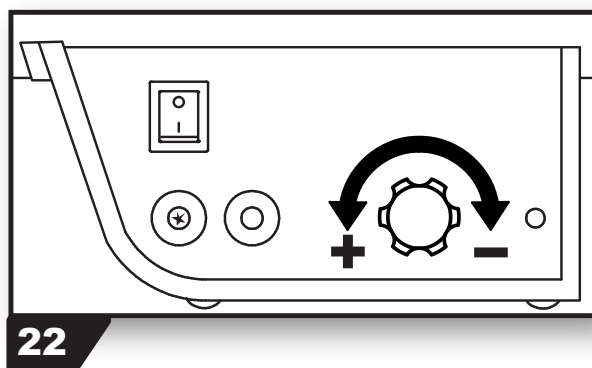
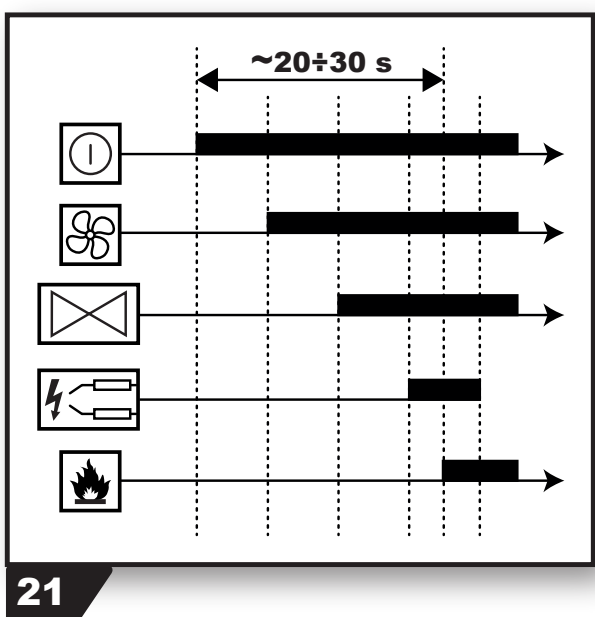
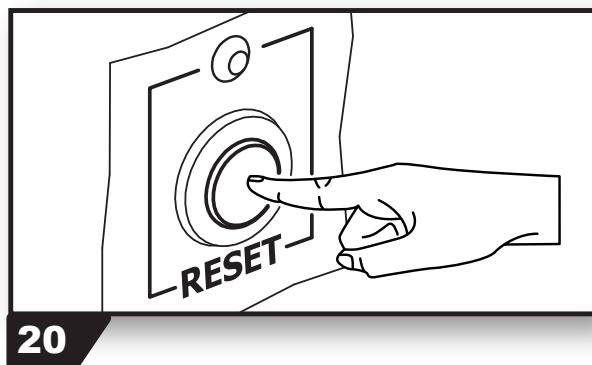
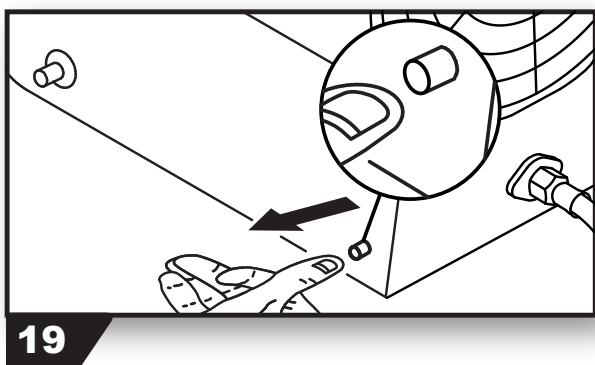
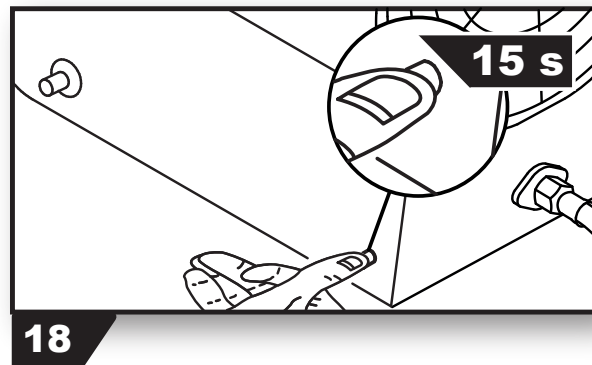
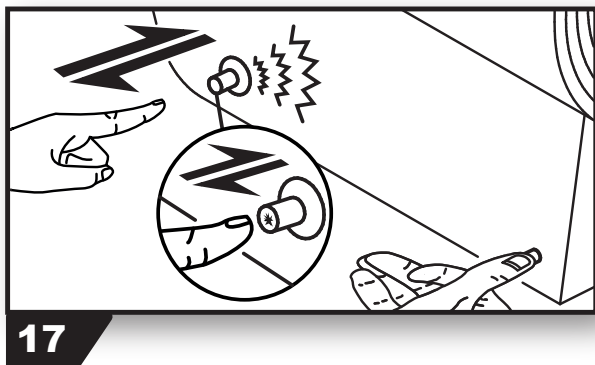


8

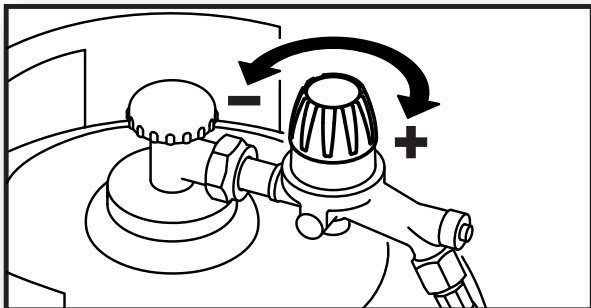
**PICTURES - FIGURE - ABBILDUNGEN - FIGURAS - FIGURES - FIGUREN
- FIGURAS - FIGURER - KUVAT - FIGURER - FIGURER - ILUSTRACJE
- ИЛЛЮСТРАЦИИ - OBRÁZKY - ÁBRÁK - SLIKE - ŞEKİLLER - SLIKE -
ILIUSTRACIJOS - ATTĒLI - JOONISED - IMAGINI - OBRÁZKY - СХЕМИ -
МАЛЮНКИ - SLIKE - EIKONES - 图示 - СУРЕТТЕМЕЛЕР**



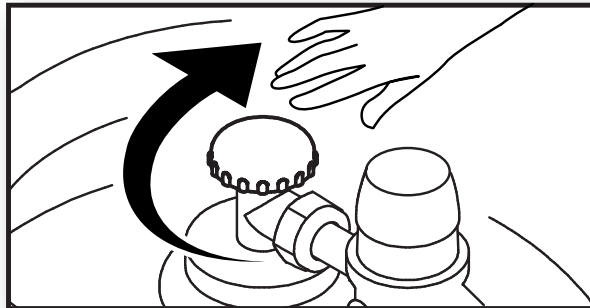
**PICTURES - FIGURE - ABBILDUNGEN - FIGURAS - FIGURES - FIGUREN
 - FIGURAS - FIGURER - KUVAT - FIGURER - FIGURER - ILUSTRACJE
 - ИЛЛЮСТРАЦИИ - OBRÁZKY - ÁBRÁK - SLIKE - ŞEKİLLER - SLIKE -
 ILIUSTRACIJOS - ATTĒLI - JOONISED - IMAGINI - OBRÁZKY - СХЕМИ -
 МАЛЮНКИ - SLIKE - ΕΙΚΟΝΕΣ - 图示 - СУРЕТТЕМЕЛЕР**



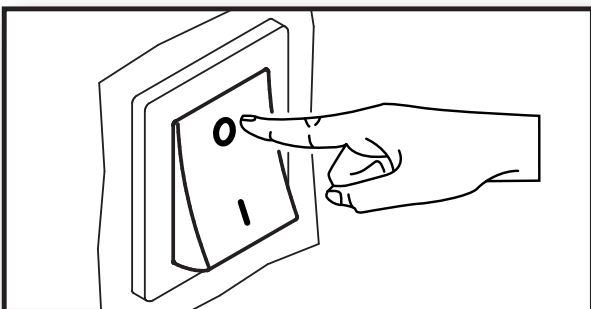
**PICTURES - FIGURE - ABBILDUNGEN - FIGURAS - FIGURES - FIGUREN
- FIGURAS - FIGURER - KUVAT - FIGURER - FIGURER - ILUSTRACJE
- ИЛЛЮСТРАЦИИ - OBRÁZKY - ÁBRÁK - SLIKE - ŞEKİLLER - SLIKE -
ILUSTRACIJOS - ATTĒLI - JOONISED - IMAGINI - OBRÁZKY - СХЕМИ -
МАЛЮНКИ - SLIKE - EIKONES - 图示 - СУРЕТТЕМЕЛЕР**



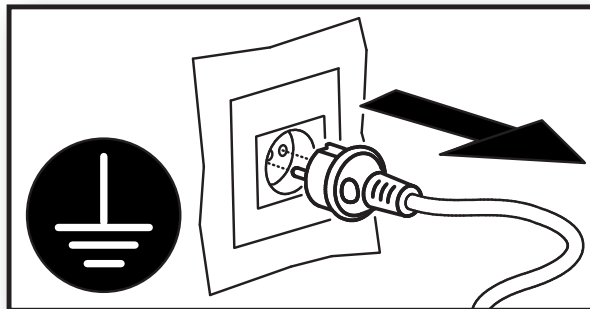
23



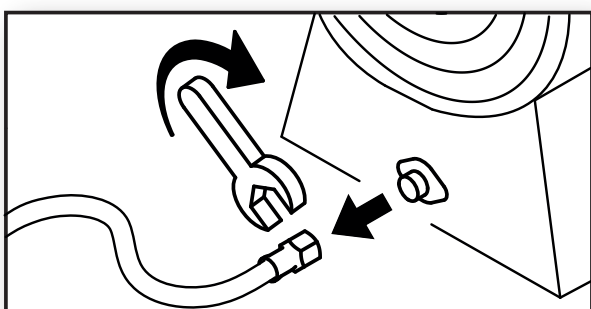
24



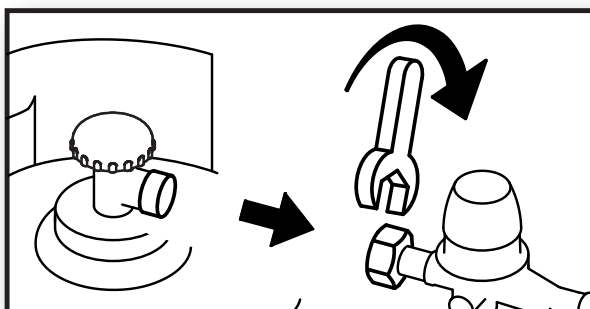
25



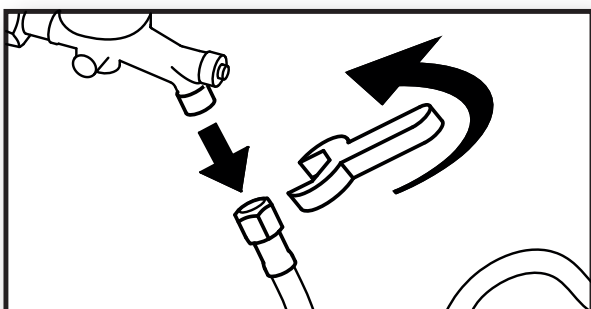
26



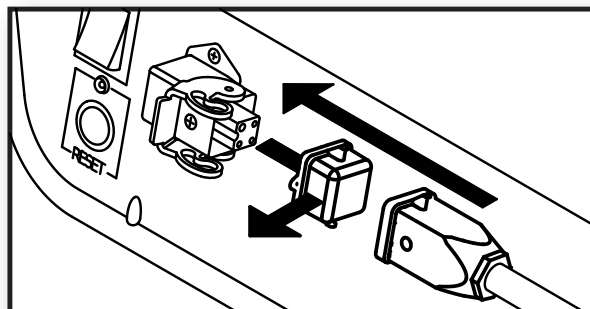
27



28



29



30

PARAGRAPH SUMMARY

1...	DESCRIPTION
2...	WARNINGS
3...	TYPE OF FUEL
4...	CONNECTION AND REPLACEMENT OF THE GAS CYLINDER
5...	CONNECTION TO THE MAINS ELECTRICITY
6...	IGNITION FOR MANUAL MODELS (... / ...M / ...DV / ...M DV)
7...	IGNITION FOR ELECTRONIC MODELS (...E / ...ET)
8...	HEAT CAPACITY REGULATION
9...	SWITCH-OFF FOR MANUAL MODELS (... / ...M / ...DV / ...M DV)
10...	SWITCH-OFF FOR ELECTRONIC MODELS (...E / ...ET)
11...	CLEANING AND MAINTENANCE
12...	ROOM THERMOSTAT CONNECTION (...E / ...ET)
13...	TROUBLESHOOTING

IMPORTANT: READ AND UNDERSTAND THIS OPERATIONAL MANUAL BEFORE PERFORMING ASSEMBLY, COMMISSIONING OR MAINTENANCE ON THIS HEATER. INCORRECT USE OF THE HEATER CAN CAUSE SERIOUS INJURY. KEEP THIS MANUAL FOR FURTHER REFERENCE.

►► 1. DESCRIPTION

This heater is a portable air heater functioning with liquid gas, characterised by the total use of the fuel, by heat exchange due to direct mixing of the intake air and the combustion products. It has a practical handle for easier transport and handling. The appliance is manufactured in compliance with the EN 1596 Standard.

►► 2. WARNINGS

► **⚠ IMPORTANT:** Do not use to heat homes and residential buildings; for use in public buildings, refer to national regulations.

► **⚠ IMPORTANT:** This appliance is not suitable for use by persons (including children) with reduced physical, sensory and mental capacities or with lack of experience or knowledge unless supervised by a person

responsible for their safety. Children must be supervised to make sure they do not play with the appliance. Keep animals at a safe distance from the appliance.

► **⚠ IMPORTANT:** Improper use of this heater can cause damage, injuries, burns, explosions, electric shock poisoning or endanger life. The first symptoms of suffocation by carbon monoxide are similar to those of flu with headache, light-headedness and/or nausea. These symptoms could be caused by the faulty functioning of the heater. **IF THESE SYMPTOMS SHOULD OCCUR, GO OUTDOORS IMMEDIATELY** and have the heater repaired by the technical after-sales assistance.

► **⚠ IMPORTANT:** All cleaning, maintenance and repairs that envision access to dangerous parts (such as

replacement of a damaged power supply cable) must be performed by the manufacturer, by its technical after-sales service, by a person with similar qualification, in a way to prevent all risks, even if disconnection from the mains power supply is envisioned.

► **2.1.** For correct use of the heater and for preservation of the fuel, follow all local regulations and the Standard in force.

► **2.2.** The heater requires suitable fresh air in order to function. It is therefore used outdoors or in rooms with assured and continuous supply of fresh air. Good airing is supplied when the volume of the room is calculated on the heat capacity, using the formula of 1 m³ every 100 W of power. In no case the recommended volume of the room must be smaller than 100 m³. Good ventilation is guaranteed by an opening that satisfies the formula stating 25 cm² per kW of heat power, with minimum of 250 cm², equally divided between the upper and lower part of the room. National Standards in force are valid for installation, including the Technical Standards and the provisions regarding accident-prevention and the prevention of fires.

► **2.3.** The appliance must only be used as a hot air heater (heating mode) or fan (ventilation mode, for models that envision this functionality). Follow these instructions scrupulously.

► **2.4.** The Manufacturer declines all liability for damage/injury to objects/persons deriving from improper use of the appliance.

► **2.5.** Only power the heater using the type of fuel expressly specified and with current having the voltage and frequency indicated on the data plate applied to the heater.

► **2.6.** Make sure the heater is only connected to suitable electric networks with differential switch and suitable earth.

► **2.7.** Only use extensions with suitable section, appropriately connected to earth.

► **2.8.** The heater must function on a stable level and fire-proof surface, in a way to prevent the risk of fire.

► **2.9.** It is prohibited to use the appliance in basements and rooms below ground level.

► **2.10.** The heater must not be used in places where explosive dusts, fumes, gases, fuels, solvents and paints are present.

► **2.11.** Whenever the heater is used in proximity of tarpaulin, awnings or similar covering materials, it is considered to use additional fire-proof protections. Make sure the hot parts of the heater are kept at a suitable distance from inflammable materials (material, paper, wood, etc.) or thermolabile materials (including the power supply cable), which in no case is less than 2,5 m.

► **2.12.** Position the gas cylinder in a protected position, behind the appliance (Pic. 1). The heater must never face the gas cylinder (Pic. 2).

► **2.13.** The air vent (rear side) and/or the air outlet vent (front side) cannot be totally or partially obstructed for any reason (Pic. 3). Do not use any air ducting from or to the heater. Make sure air intake slots, present on the bottom of the base, are not obstructed (for models using this solution).

► **2.14.** If the heater does not switch on or switch-on is anomalous, consult the relative section (Par. 13. "TROUBLESHOOTING").

► **2.15.** The heater must never be moved, handled or subjected to any maintenance interventions when it is running.

► **2.16.** In any condition of use or appliance standstill, make sure that the flexible gas hose is not damaged (crushed, bent, twisted, taught).

► **2.17.** If the smell of gas is perceived, switch the appliance off immediately, close the gas cylinder, disconnect the mains plug and then contact the after-sales assistance.

► **2.18.** If the gas hose must be replaced, only use the flexible type suitable for the pressure used, referring to national regulations. The gas hose must measure 1,5 m.

► **2.19.** When the appliance is controlled by a room thermostat (optional article), the heater can switch back on at any time i.e. when the temperature drops below the threshold set.

► **2.20.** When it is not used, disconnect the heater from the network plug, close the gas supply, disconnect the gas hose from the heater and plug the gas inlet on the heater.

► **2.21.** Have the after-sales assistance check correct functioning of the heater at least once a year and/or according to need.

►► **3. TYPE OF FUEL**

Use category I₃B/P gas only.

►► **4. CONNECTION AND REPLACEMENT OF THE GAS CYLINDER**

The gas cylinder must be replaced in the open air, away from heat sources, in an atmosphere without flames.

Only the following accessories must be used for connection of the gas cylinder to the heater:

- Liquid gas flexible pipe.
- Liquid gas pressure regulator complete with safety valve.

CHECK THE INTEGRITY OF THE GAS SUPPLY PIPE. IF THE GAS HOSE MUST BE REPLACED, ONLY USE THE FLEXIBLE TYPE SUITABLE FOR THE PRESSURE USED, REFERRING TO NATIONAL REGULATIONS.

► To connect the heater to the gas cylinder:

ATTENTION: ALL THREADING IS SINISTRAL, I.E. THEY ARE TIGHTENED IN AN ANTI-CLOCKWISE DIRECTION.

► **4.1.** Screw the gas hose to the heater fitting (Pic. 4).

► **4.2.** Install the pressure regulator on the gas cylinder. Make sure there is a gasket present on the regulator (if envisioned by the type of connection) (Pic. 5).

► **4.3.** Connect the gas hose to the pressure regulator (Pic. 6).

► **4.4.** Open the gas cylinder cock (Pic. 7).

► **4.5.** Press the regulator release button (Pic. 8). **Check tightness of fittings using soapy water: bubbles indicate a gas leak (Pic. 9).** Several gas cylinders can be fitted together to obtain greater autonomy. **The use of 30 kg gas cylinders is recommended, up to heating capacity of 33 kW. Over the power of 33 kW use gas cylinders with greater capacity. The use of gas cylinders with suitable capacity is recommended in order to prevent problems due to lack of gasification of the fuel.** The correct functioning pressure (see data plate applied to the heater) is given by the regulator supplied or an equivalent model.

►► 5. CONNECTION TO THE MAINS ELECTRICITY

CHECK YOUR ELECTRIC SYSTEM IS EARTHED CORRECTLY.

Before connecting the heater to the mains electricity, make sure that the power supply voltage and frequency are correct (see data plate applied to the heater). The connection to the mains electricity (Pic. 10) must be made in compliance with the National Standards in force.

►► 6. IGNITION FOR MANUAL MODELS (... / ...M / ...DV / ...M DV)

IMPORTANT: For ...DV / ...M DV models, check the position of the transformer switch (220-240V / 110-120V) (Pic. 11). If the voltage set on the appliance does not correspond to that supplied by the mains, the voltage must be adapted. Loosen the 2 lid screw fasteners (Pic. 12), shift the switch onto the voltage value supplied (Pic. 13) and re-mount the lid (Pic. 14).

VERIFY THE CONGRUENCE BETWEEN POWER TENSION SUPPLY, SETTING OF DUAL VOLTAGE SWITCH AND TYPE OF PLUG, BECAUSE IMPROPER USE MAY CAUSE DAMAGE TO THE HEATER.

● 6.1. HEATING MODE:

►► **6.1.1.** Take the “O/I” switch to position “I” (Pic. 15).

►► **6.1.2.** Press the gas button fully home and hold it down (Pic. 16).

►► **6.1.3.** Activate the piezoelectric igniter fully home and repeatedly (Pic. 17), keeping the gas button pressed (Pic. 16).

►► **6.1.4.** After ignition of the flame, hold the gas button down for about 15 s (Pic. 18).

►► **6.1.5.** Release the gas button (Pic. 19). In the event of a power cut or if there is no gas supply, the appliance will switch off. The heater does not switch back on automatically. It must be switched on manually by repeating the switch-on procedure.

If the appliance does not switch on, consult the relative section (Par. 13. “TROUBLESHOOTING”).

● 6.2. VENTILATION MODE:

The heater can also be used as a fan. Connect the heater to the mains electricity (Pic. 10) and take the “O/I” switch to position “I” (Pic. 15).

N.B.: With the heater functioning in heating mode, before passing to ventilation mode, carry out the correct switch off sequence for the manual models [Par. 9. “SWITCH-OFF FOR MANUAL MODELS (... / ...M / ...DV / ...M DV)”].

►► 7. IGNITION FOR ELECTRONIC MODELS (...E / ...ET)

►► **7.1.** Take the “O/I” switch to position “I” (Pic. 15).

►► **7.2.** Press the “RESET” button (Pic. 20).

The heater starts the analysis sequence and the flame ignites after about 20÷30 s (see functioning layout Pic. 21).

In the event of a power cut or if there is no gas supply, the appliance will switch off. The heater does not switch back on automatically. It must be switched on manually by pressing the “RESET” button (Pic. 20).

If the appliance does not switch on, consult the relative section (Par. 13. “TROUBLESHOOTING”).

en **ATTENTION:** If the heater stops due to the intervention of the room thermostat (optional article), the appliance will switch back on automatically when the temperature drops below the threshold set.

▶▶ 8. HEAT CAPACITY REGULATION

Depending on the type of heater, the appliance heat capacity can be regulated. The heat capacity can be regulated by acting on the knob positioned on the base of the heater (Pic. 22) or on the pressure regulator installed on the gas cylinder (Pic. 23), depending on the model.

▶▶ 9. SWITCH-OFF FOR MANUAL MODELS (... / ...M / ...DV / ...M DV)

- ▶ 9.1. Close the gas cylinder (Pic. 24).
- ▶ 9.2. Leave the fan to cool for about 60 s, in order to prevent internal damage due to overheating (heater internal cooling).
- ▶ 9.3. Take the "O/I" switch to position "O" (Pic. 25).
- ▶ 9.4. Disconnect the heater from the mains electricity (Pic. 26).
- ▶ 9.5. Disconnect the heater from the gas supply pipe (Pic. 27-28-29).

▶▶ 10. SWITCH-OFF FOR ELECTRONIC MODELS (...E / ...ET)

- ▶ 10.1. Take the "O/I" switch to position "O" (Pic. 25). The flame goes out and the heater performs the post-ventilation phase. Wait for the cycle to be completed in order to prevent internal damage due to overheating (the phase is automatic and can last 50 s±5 min depending on the internal/external temperature at the heater).

- ▶ 10.2. Close the gas cylinder (Pic. 24).
 - ▶ 10.3. Disconnect the heater from the mains electricity (Pic. 26).
 - ▶ 10.4. Disconnect the heater from the gas supply pipe (Pic. 27-28-29).
- N.B.:** Do not disconnect the heater from the mains electricity, before the end of the post-ventilation phase, in order to prevent internal damage due to over-heating.

▶▶ 11. CLEANING AND MAINTENANCE

Have the after-sales assistance check correct functioning of the heater at least once a year and/or as required. The appliance must be cleaned before it is put away after use.

- ▶ 11.1. Before starting any type of maintenance, care and repairs of the appliance, carry out the switch-off sequence [Par. 9. "SWITCH-OFF FOR MANUAL MODELS (... / ...M / ...DV / ...M DV)" or "10. SWITCH-OFF FOR ELECTRONIC MODELS (...E / ...ET)"].
- ▶ 11.2. Cleaning only concerns the air vent (rear side) of the heater.
- ▶ 11.3. When the appliance is used again, check the state of integrity of the gas hose and power supply cable. If in doubt regarding their integrity, request the assistance of the technical after-sales service.
- ▶ 11.4. Do not carry out unauthorised interventions.

▶▶ 12. ROOM THERMOSTAT CONNECTION (...E / ...ET) (optional)

Remove the plug connected to the appliance and connect the room thermostat (optional) (Pic. 30). See wiring diagram (...E / ...ET).

►► 13. TROUBLESHOOTING

en

FUNCTIONING ANOMALIESM ...DV ...M DV	...E ...ET	CAUSES	SOLUTIONS
The motor does not start	X	X	No voltage	1° Check the mains system 2° After-sales assistance
	X	X	Power supply cable faulty/damaged	After-sales assistance
	X	X	Faulty motor	After-sales assistance
		X	Incorrect connection of the room thermostat	Connect the room thermostat correctly
The flame does not ignite	X	X	Gas cylinder empty	Replace the gas cylinder (Par. 4)
	X	X	Regulator safety valve blocked	1° Press the regulator gas release button (Pic. 8) 2° After-sales assistance
	X	X	Gas cylinder cock closed	Open the gas cylinder cock (Pic. 7)
	X	X	Faulty ignition circuit	After-sales assistance
		X	Inefficient earthing	Check your system is earthed correctly
The flame does not stay on	X		Gas button not pressed for long enough	Press the gas button for longer (Par. 6.1.4.)
	X	X	Faulty heater	After-sales assistance
Flame goes out during functioning	X	X	Insufficient gas supply	1° Replace the gas cylinder (Par. 4) 2° After-sales assistance
	X	X	No gasification of the fuel	Use gas cylinders with suitable capacity (Par. 4)
	X	X	Appliance overheating	1° Clean the air vent (rear side) 2° After-sales assistance
	X	X	Faulty heater	After-sales assistance

SOMMARIO PARAGRAFI

1...	DESCRIZIONE
2...	AVVERTENZE
3...	TIPO DI COMBUSTIBILE
4...	COLLEGAMENTO E SOSTITUZIONE DELLA BOMBOLA GAS
5...	COLLEGAMENTO ALLA RETE ELETTRICA
6...	ACCENSIONE PER I MODELLI MANUALI (... / ...M / ...DV / ...M DV)
7...	ACCENSIONE PER I MODELLI ELETTRONICI (...E / ...ET)
8...	REGOLAZIONE POTENZA TERMICA
9...	SPEGNIMENTO PER I MODELLI MANUALI (... / ...M / ...DV / ...M DV)
10...	SPEGNIMENTO PER I MODELLI ELETTRONICI (...E / ...ET)
11...	PULIZIA E MANUTENZIONE
12...	COLLEGAMENTO TERMOSTATO AMBIENTE (...E / ...ET)
13...	ANOMALIE DI FUNZIONAMENTO, CAUSE E RIMEDI

IMPORTANTE: LEGGERE E COMPRENDERE QUESTO MANUALE OPERATIVO PRIMA DI EFFETTUARE L'ASSEMBLAGGIO, LA MESSA IN FUNZIONE O LA MANUTENZIONE DI QUESTO RISCALDATORE. L'USO ERRATO DEL RISCALDATORE PUÒ CAUSARE LESIONI GRAVI. CONSERVARE QUESTO MANUALE A TITOLO DI FUTURO RIFERIMENTO.

►► 1. DESCRIZIONE

Questo è un riscaldatore d'aria portatile funzionante a gas liquido, caratterizzato dallo sfruttamento totale del combustibile, mediante scambio termico per miscelazione diretta tra l'aria aspirata ed i prodotti della combustione. È dotato di una pratica maniglia per facilitarne il trasporto e la movimentazione. Il riscaldatore è realizzato secondo la Norma EN 1596.

►► 2. AVVERTENZE

►⚠ **IMPORTANTE:** Non utilizzare per il riscaldamento delle aree abitabili di edifici residenziali; per l'uso in edifici pubblici, fare riferimento ai regolamenti nazionali.

►⚠ **IMPORTANTE:** Questo riscaldatore non è adatto all'uso da parte di persone (incluse bambini) con capacità fisiche, sensoriali e mentali ridotte, o inesperte, a meno che non vengano

supervisionate da una persona responsabile per la loro sicurezza. I bambini devono essere controllati, per assicurarsi che non giochino con il riscaldatore. Tenere gli animali a distanza di sicurezza dal riscaldatore.

►⚠ **IMPORTANTE:** L'uso improprio di questo riscaldatore può provocare danni o pericolo di vita a persone, lesioni, ustioni, esplosioni, elettroshock o avvelenamento. I primi sintomi di asfissia da ossido di carbonio assomigliano a quelli dell'influenza, con cefalee, capogiri e/o nausea. Tali sintomi potrebbero essere causati dal funzionamento difettoso del riscaldatore. **NEL CASO SI PRESENTASSERO QUESTI SINTOMI, USCIRE IMMEDIATAMENTE ALL'APERTO e far riparare il riscaldatore dall'assistenza tecnica.**

► **⚠️ IMPORTANTE:** Tutte le operazioni di pulizia, manutenzione e riparazione che prevedano l'accesso a parti pericolose (come la sostituzione del cavo di alimentazione danneggiato) devono essere svolte dal costruttore, dal suo servizio di assistenza tecnica, da una persona con qualifica simile, in modo da prevenire ogni rischio, anche se è prevista la disconnessione dalla rete di alimentazione.

► **2.1.** Per un corretto uso del riscaldatore e per la conservazione del combustibile, attenersi a tutte le ordinanze locali ed alla normativa vigente.

► **2.2.** Il riscaldatore necessita per il funzionamento di un adeguato ricambio di aria. Pertanto esso va impiegato all'aperto o in stanze con ricambio d'aria assicurato e continuo. Una buona aerazione è assicurata quando il volume della stanza è calcolato sulla potenza termica, con la formula di 1 m³ ogni 100 W di potenza. In nessun caso il volume raccomandato della stanza deve essere minore di 100 m³. Una buona ventilazione è garantita da un'apertura che soddisfi la formula di 25 cm² per kW di potenza termica, con un minimo di 250 cm², equamente diviso tra parte superiore e parte inferiore della stanza. Per l'installazione, valgono le norme nazionali vigenti, incluse le norme tecniche e le disposizioni in materia antinfortunistica e di prevenzione degli incendi.

► **2.3.** L'apparecchio deve essere usato solamente come riscaldatore d'aria calda (modalità riscaldamento), o ventilatore (modalità ventilazione, per i modelli che prevedono questa funzionalità). Per l'utilizzo seguire scrupolosamente le presenti istruzioni.

► **2.4.** Il costruttore declina ogni responsabilità per danni a cose e/o persone derivanti dall'uso improprio dell'apparecchio.

► **2.5.** Alimentare il riscaldatore solamente con il tipo di combustibile espressamente specificato e con corrente avente tensione e frequenza indicate sulla targhetta dati applicata sul riscaldatore.

► **2.6.** Assicurarsi di collegare il riscaldatore solo a reti elettriche opportunamente dotate di interruttore differenziale e di adeguata messa a terra.

► **2.7.** Usare solamente prolunghe di adeguata sezione, con filo di messa a terra.

► **2.8.** Il riscaldatore deve funzionare su una superficie livellata, stabile e ignifuga, in modo da evitare rischi di incendio.

► **2.9.** È assolutamente vietato usare l'apparecchio in locali seminterrati o sotto il livello del suolo.

► **2.10.** Il riscaldatore non deve essere usato in locali in cui sono presenti polveri esplosive, fumi, gas, combustibili, solventi, vernici.

► **2.11.** Qualora il riscaldatore sia utilizzato in prossimità di teloni, tende o materiali simili di copertura, si consiglia di usare protezioni aggiuntive di tipo ignifugo. Avere cura di mantenere una distanza adeguata, che in nessun caso deve essere inferiore a 2,5 m da materiali infiammabili (stoffa, carta, legno, ecc.) o termolabili (compreso il cavo di alimentazione), dalle parti calde del riscaldatore.

► **2.12.** Posizionare la bombola gas in posizione protetta, dietro l'apparecchio (Fig. 1). Il riscaldatore non deve mai essere orientato verso la bombola del gas (Fig. 2).

► **2.13.** Per qualsiasi motivo è vietato ostruire completamente, o parzialmente, la presa d'aria (lato posteriore) e/o la bocca d'uscita aria (lato anteriore) (Fig. 3). Evitare di utilizzare qualsiasi canalizzazione aria dal/al riscaldatore. Assicurarsi che non vengano ostruite le feritoie di aspirazione aria presenti sul fondo della base (per i modelli che adottano questa soluzione).

► **2.14.** Nel caso di mancata accensione, o accensione anomala del riscaldatore, consultare l'apposita sezione (Parag. "13. ANOMALIE DI FUNZIONAMENTO, CAUSE E RIMEDI").

► **2.15.** Il riscaldatore quando è in funzione non deve mai essere spostato, maneggiato, né soggetto ad alcun intervento di manutenzione.

► **2.16.** In qualsiasi condizione d'uso, o di stazionamento dell'apparecchio, fare attenzione che il tubo gas flessibile, non venga danneggiato (schiacciato, piegato, torto, teso).

► **2.17.** Se viene percepito odore di gas, spegnere subito l'apparecchio, chiudere la bombola gas, staccare la spina di rete e successivamente contattare l'assistenza tecnica.

► **2.18.** In caso di sostituzione del tubo gas, utilizzare solo tubi di tipo flessibile adeguato alla pressione di utilizzo, facendo riferimento alle regolamentazioni nazionali. Il tubo gas deve avere una lunghezza di 1,5 m.

► **2.19.** Quando l'apparecchio è controllato da un termostato ambiente (articolo optional), il riscaldatore può riaccendersi in qualsiasi momento e cioè quando la temperatura scende sotto la soglia impostata.

► **2.20.** Quando non è utilizzato, scollegare il riscaldatore dalla presa di rete, chiudere l'alimentazione gas, scollegare il tubo gas dal riscaldatore e tappare l'entrata gas sul riscaldatore.

► **2.21.** Far verificare dall'assistenza tecnica almeno una volta all'anno e/o secondo l'esigenza, il corretto funzionamento del riscaldatore.

►► 3. TIPO DI COMBUSTIBILE

Usare solo gas della categoria I₃B/P.

►► 4. COLLEGAMENTO E SOSTITUZIONE DELLA BOMBOLA GAS

La bombola gas deve essere sostituita all'aria aperta, lontana da fonti di calore, in atmosfera priva di fiamme.

Per il collegamento della bombola gas al riscaldatore, devono essere utilizzati solo i seguenti accessori:

- Tubo flessibile per gas liquido.
- Regolatore di pressione per gas liquido completo di valvola di sicurezza.

VERIFICARE L'INTEGRITÀ DEL TUBO GAS DI ALIMENTAZIONE. NEL CASO NECESSITI DI ESSERE SOSTITUITO, UTILIZZARE SOLO TUBO DI TIPO FLESSIBILE, ADEGUATO ALLA PRESSIONE DI UTILIZZO, FACENDO RIFERIMENTO ALLE REGOLAMENTAZIONI NAZIONALI.

► Per collegare il riscaldatore alla bombola gas:

ATTENZIONE: TUTTE LE FILETTATURE SONO SINISTRORSE, CIOÈ VANNO SERRATE IN SENSO ANTIORARIO.

► **4.1.** Avvitare il tubo gas al raccordo del riscaldatore (Fig. 4).

► **4.2.** Installare il regolatore di pressione sulla bombola gas. Assicurarsi che sul regolatore sia presente la guarnizione (se il tipo di attacco la prevede) (Fig. 5).

► **4.3.** Collegare il tubo gas al regolatore di pressione (Fig. 6).

► **4.4.** Aprire il rubinetto della bombola gas (Fig. 7).

► **4.5.** Premere il pulsante sblocco regolatore (Fig. 8). **Verificare la tenuta dei raccordi con acqua saponata: la comparsa di bolle segnalerà eventuali perdite di gas (Fig. 9).** È possibile raccordare fra loro più bombole gas per ottenere una maggiore autonomia. **Si consiglia l'utilizzo di bombole gas di 30 kg, fino alla potenza termica di 33 kW, oltre la potenza di 33 kW utilizzare bombole gas di capacità**

superiore. Si raccomanda l'utilizzo di bombole gas di adeguata capacità, al fine di evitare problemi dovuti alla mancata gasificazione del combustibile. La corretta pressione di funzionamento (vedi targhetta dati applicata sul riscaldatore) è data dal regolatore fornito in dotazione, o da modello equivalente.

►► 5. COLLEGAMENTO ALLA RETE ELETTRICA

VERIFICARE LA CORRETTA MESSA A TERRA DEL VOSTRO IMPIANTO ELETTRICO.

Prima di collegare il riscaldatore alla rete elettrica, assicurarsi che la tensione e la frequenza di alimentazione siano corrette (vedi targhetta dati applicata sul riscaldatore). Il collegamento alla rete elettrica (Fig. 10), va fatto in accordo con le norme nazionali vigenti.

►► 6. ACCENSIONE PER I MODELLI MANUALI (... / ...M / ...DV / ...M DV)

IMPORTANTE: Per i modelli ...DV / ...M DV, controllare la posizione dell'interruttore cambia tensione (220-240V / 110-120V) (Fig. 11). Se la tensione impostata sull'apparecchio non è corrispondente a quella fornita dalla rete, è necessario operare per adeguare la tensione. Svitare le 2 viti di fissaggio del coperchio (Fig. 12), spostare l'interruttore sul valore di tensione fornita (Fig. 13) e rimontare il coperchio (Fig. 14).

• 6.1. MODALITÀ RISCALDAMENTO:

► 6.1.1. Portare l'interruttore "O/I" in posizione "I" (Fig. 15).

► 6.1.2. Premere il pulsante gas a fondo e tenerlo premuto (Fig. 16).

► 6.1.3. Azionare a fondo e ripetutamente l'accenditore piezoelettrico (Fig. 17), man-

tenendo premuto il pulsante gas (Fig. 16).

► 6.1.4. Dopo l'accensione della fiamma, tenere premuto il pulsante gas per circa 15 s (Fig. 18).

► 6.1.5. Rilasciare il pulsante gas (Fig. 19). Nel caso di un'interruzione dell'energia elettrica o per mancanza di gas, l'apparecchio si spegnerà. La riaccensione del riscaldatore non è automatica, ma deve essere svolta manualmente, ripetendo la procedura di accensione.

Se l'apparecchio non si accende, consultare l'apposita sezione (Parag. "13. ANOMALIE DI FUNZIONAMENTO, CAUSE E RIMEDI").

• 6.2. MODALITÀ VENTILAZIONE:

Il riscaldatore può essere utilizzato anche come ventilatore. Collegare il riscaldatore alla rete elettrica (Fig. 10) e portare l'interruttore "O/I" in posizione "I" (Fig. 15). **N.B.:** Con il riscaldatore funzionante in modalità riscaldamento, prima di passare alla modalità ventilazione, eseguire la corretta sequenza di spegnimento per i modelli manuali [Parag. "9. SPEGNIMENTO PER I MODELLI MANUALI (... / ...M / ...DV / ...M DV)"].

►► 7. ACCENSIONE PER I MODELLI ELETTRONICI (...E)

► 7.1. Portare l'interruttore "O/I" in posizione "I" (Fig. 15).

► 7.2. Premere il pulsante di "RESET" (Fig. 20).

Il riscaldatore inizia la sequenza di analisi e dopo circa 20÷30 s la fiamma si accende (vedi schema di funzionamento Fig. 21).

Nel caso di un'interruzione dell'energia elettrica o per mancanza di gas, l'apparecchio si spegnerà. La riaccensione del riscaldatore non è automatica, ma deve essere svolta manualmente, premendo il pulsante "RESET" (Fig. 20).

Se l'apparecchio non si accende, consultare l'apposita sezione (Parag. "13. ANOMALIE DI FUNZIONAMENTO, CAUSE E RIMEDI").

ATTENZIONE: Nel caso il riscaldatore si arresti a causa dell'intervento del termostato ambiente (articolo optional), la riaccensione dell'apparecchio avviene automaticamente, quando la temperatura scende sotto la soglia impostata.

►► 8. REGOLAZIONE POTENZA TERMICA

A seconda della tipologia del riscaldatore, si può regolare la potenza termica dell'apparecchio. La potenza termica può essere regolata agendo sulla manopola posta sulla base del riscaldatore (Fig. 22), o sul regolatore di pressione installato sulla bombola gas (Fig. 23), a seconda del modello.

►► 9. SPEGNIMENTO PER I MODELLI MANUALI (... / ...M / ...DV / ...M DV)

- 9.1. Chiudere la bombola gas (Fig. 24).
- 9.2. Lasciare funzionare il ventilatore per circa 60 s, al fine di evitare danni interni per surriscaldamento (raffreddamento interno riscaldatore).
- 9.3. Portare l'interruttore "O/I" in posizione "O" (Fig. 25).
- 9.4. Scollegare il riscaldatore dalla rete elettrica (Fig. 26).
- 9.5. Scollegare il riscaldatore dal tubo alimentazione gas (Fig. 27-28-29).

►► 10. SPEGNIMENTO PER I MODELLI ELETTRONICI (...E / ...ET)

- 10.1. Portare l'interruttore "O/I" in posizione "O" (Fig. 25). La fiamma si spegne e il riscaldatore esegue la fase di post-ventilazione. Attendere il completamento del ciclo, al fine di evitare danni interni per surriscaldamento (la fase è automatica e

può durare da 50 s±5 min a seconda della temperatura interna/esterna al riscaldatore).

- 10.2. Chiudere la bombola gas (Fig. 24).
 - 10.3. Scollegare il riscaldatore dalla rete elettrica (Fig. 26).
 - 10.4. Scollegare il riscaldatore dal tubo alimentazione gas (Fig. 27-28-29).
- N.B.:** Evitare di scollegare il riscaldatore dalla rete elettrica, prima del termine della fase di post ventilazione, al fine di evitare danni interni per surriscaldamento.

►► 11. PULIZIA E MANUTENZIONE

Almeno una volta all'anno e/o secondo l'esigenza, far verificare dall'assistenza tecnica il corretto funzionamento del riscaldatore. Prima di riporlo dopo l'uso, l'apparecchio deve essere pulito.

- 11.1. Prima di iniziare qualsiasi tipo di lavoro di manutenzione, cura e riparazione sull'apparecchio, eseguire la sequenza di spegnimento [Parag. "9. SPEGNIMENTO PER MODELLI MANUALI (... / ...M / ...DV / ...M DV)" o "10. SPEGNIMENTO PER MODELLI ELETTRONICI (...E / ...ET)"].
- 11.2. La pulizia riguarda solamente la presa d'aria (lato posteriore) del riscaldatore.
- 11.3. Quando il riscaldatore viene riutilizzato, controllare lo stato d'integrità del tubo del gas e del cavo di alimentazione; se avete dubbi sulla loro integrità, richiedete l'intervento dell'assistenza tecnica.
- 11.4. Non eseguire interventi non autorizzati.

►► 12. COLLEGAMENTO TERMOSTATO AMBIENTE (...E / ...ET) (optional)

Rimuovere il tappo collegato all'apparecchio e connettere il termostato ambiente (optional) (Fig. 30).

Vedi schema elettrico (...E / ...ET).

►► 13. ANOMALIE DI FUNZIONAMENTO, CAUSE E RIMEDI

ANOMALIE DI FUNZIONAMENTOM ...DV ...M DV	...E ...ET	CAUSE	RIMEDI
Il motore non parte	X	X	Mancata tensione	1°Verificare l'impianto di rete 2°Assistenza tecnica
	X	X	Cavo di alimentazione difettoso/danneggiato	Assistenza tecnica
	X	X	Motore guasto	Assistenza tecnica
		X	Errato collegamento del termostato ambiente	Collegare correttamente il termostato ambiente
La fiamma non si accende	X	X	Bombola gas esaurita	Sostituire la bombola gas (Parag. 4)
	X	X	Valvola di sicurezza regolatore in blocco	1°Premere il pulsante di sblocco gas del regolatore (Fig. 8) 2°Assistenza tecnica
	X	X	Rubinetto bombola gas chiuso	Aprire il rubinetto bombola gas (Fig. 7)
	X	X	Circuito accensione difettoso	Assistenza tecnica
		X	Messa a terra non efficace	Verificare la corretta messa a terra del vostro impianto
	La fiamma non rimane accesa	X		Pulsante gas premuto per un tempo non sufficiente
X		X	Generatore difettoso	Assistenza tecnica
Spegnimento della fiamma durante il funzionamento	X	X	Insufficiente alimentazione di gas	1°Sostituire la bombola gas (Parag. 4) 2°Assistenza tecnica
	X	X	Mancata gasificazione del combustibile	Utilizzare bombole gas di adeguata capacità (Parag. 4)
	X	X	Surriscaldamento del riscaldatore	1°Pulire la presa d'aria (lato posteriore) 2°Assistenza tecnica
	X	X	Riscaldatore difettoso	Assistenza tecnica

ZUSAMMENFASSUNG DER ABSCHNITTE


1...	BESCHREIBUNG
2...	WARNHINWEISE
3...	ART DES BRENNSTOFFES
4...	ANSCHLUSS UND AUSTAUSCH DER GASFLASCHE
5...	ANSCHLUSS AN DAS STROMNETZ
6...	EINSCHALTUNG DER MANUELLEN MODELLE (... / ...M / ...DV / ...M DV)
7...	EINSCHALTUNG DER ELEKTRONISCHEN MODELLE (...E / ...ET)
8...	REGULIERUNG DER THERMISCHEN LEISTUNG
9...	AUSSCHALTUNG DER MANUELLEN MODELLE (... / ...M / ... DV / ...M DV)
10...	AUSSCHALTUNG DER ELEKTRONISCHEN MODELLE (...E / ...ET)
11...	REINIGUNG UND WARTUNG
12...	ANSCHLUSS DES RAUMTHERMOSTATS (...E / ...ET)
13...	FUNKTIONSSTÖRUNGEN, URSACHEN UND ABHILFEN


WICHTIGER HINWEIS: DIESE BEDIENUNGSANLEITUNG MUSS VOR ZUSAMMENBAU, INBETRIEBNAHME BZW. WARTUNG DES HEIZGERÄTES GELESEN UND VERSTANDEN WORDEN SEIN. FALSCHER GEBRAUCH DES HEIZGERÄTES KANN ZU SCHWEREN VERLETZUNGEN FÜHREN. BEWAHREN SIE DIESE ANLEITUNG ZUM SPÄTEREN NACHSCHLAGEN GUT AUF.

►► 1. BESCHREIBUNG

Dieses tragbare Heizgerät erwärmt die Luft und wird mithilfe von Flüssiggas betrieben. Die Heizleistung des Brennstoffes wird hier über den Wärmeaustausch vollständig ausgenutzt, indem die angesaugte Luft mit dem Brennstoff direkt gemischt wird. Ein praktischer Griff erleichtert den Transport des Geräts. Das Gerät entspricht der Norm EN 1596.

►► 2. WARNHINWEISE

►  **WICHTIGER HINWEIS:** Das Gerät darf nicht zum Heizen von Wohnräumen und Wohnhäusern verwendet werden. Für die Verwendung in öffentlichen Gebäuden siehe nationale Bestimmungen.

►  **WICHTIGER HINWEIS:** Dieses Gerät ist nicht geeignet für den Gebrauch durch Personen (einschließlich Kindern) mit begrenzten körperlichen, sensorischen und geistigen Fähigkeiten bzw. ohne ausreichende Fachkenntnis, es sei denn,

sie werden durch eine für ihre Sicherheit verantwortliche Person beaufsichtigt. Kinder sind zu beaufsichtigen, damit sie nicht mit dem Gerät spielen. Halten Sie Haustiere in einem sicheren Abstand zum Heizgerät.

►  **WICHTIGER HINWEIS:** Unsachgemäßer Gebrauch des Heizgerätes kann zu Verletzungen an Personen führen, die durch Verbrennungen, Abschürfungen, Explosionen, Elektroschocks oder Vergiftungen hervorgerufen werden. Die ersten Anzeichen einer Kohlenmonoxidvergiftung sind denen von Grippe mit Kopfschmerzen, Schwindel bzw. Übelkeit ähnlich. Diese Symptome können auf eine Betriebsstörung des Heizgeräts zurückzuführen sein. **SOLLTEN DIESE SYMPTOME AUFTRETEN, SOFORT INS FREIE GEHEN** und das Heizgerät durch den Kundendienst reparieren lassen.

▶ ⚠ WICHTIGER HINWEIS: Alle Reinigungs- und Wartungsvorgänge sowie Reparaturen, bei denen auf die gefährlichen Bauteile zugegriffen werden muss (wie den Austausch des beschädigten Versorgungskabels) müssen durch die Herstellerfirma, den Kundendienst und von ähnlich qualifiziertem Personal so vorgenommen werden, dass jedes Risiko vermieden wird, auch wenn hier die Trennung vom Versorgungsnetz vorgesehen ist.

▶ **2.1.** Für einen ordnungsgemäßen Gebrauch des Heizgeräts und der Aufbewahrung des Brennstoffes muss sich an die vor Ort geltenden und normativen Vorschriften gehalten werden.

▶ **2.2.** Für den Betrieb benötigt das Heizgerät eine angemessene Luftzirkulation. Daher darf dieses nur im Außenbereich oder in geschlossenen Räumen mit kontinuierlicher und sichergestellter Luftzirkulation eingesetzt werden. Eine gute Belüftung ist dann sicher gestellt, wenn das Raumvolumen anhand der thermischen Leistung mit der Formel $100 \text{ W auf } 1 \text{ m}^3$ berechnet wird., In keinem Fall darf das Volumen des Raumes unter 100 m^3 liegen. Eine ausreichende Belüftung ist dann sichergestellt, wenn die dafür vorgesehene Öffnung 25 cm^2 pro kW thermischer Leistung mit einem Minimum von 250 cm^2 aufweist, was gleichermaßen zwischen unterem und oberem Teil des Raumes aufgeteilt ist, Für die Installation gelten die nationalen Vorschriften sowie die technischen Normen und Vorschriften zur Unfall- sowie Brandvermeidung.

▶ **2.3.** Das Gerät darf ausschließlich als Warmlufterzeuger (Heizmodus) oder zur Ventilation (Ventilationsmodus für die Modelle mit dieser Funktion) verwendet werden. Bei der Verwendung müssen die vorliegenden Anweisungen genauestens eingehalten werden.

▶ **2.4.** Die Herstellerfirma lehnt jede Verantwortung für Schäden an Gegenständen und/oder Verletzungen von Personen ab,

die durch unsachgemäßen Gebrauch des Geräts verursacht werden.

▶ **2.5.** Das Heizgerät darf nur mit dem angegebenen Brennstoff versorgt werden und die Stromversorgung muss die auf dem Typenschild angegebene Spannung und Frequenz aufweisen.

▶ **2.6.** Es muss darauf geachtet werden, dass das Heizgerät nur an Stromversorgungsnetze mit FI-Schutzschalter und dafür geeigneter Erdung angeschlossen wird.

▶ **2.7.** Es dürfen nur Verlängerungsleitungen mit entsprechendem Querschnitt und Erdungsleitung verwendet werden.

▶ **2.8.** Das Heizgerät darf nur auf einer ebenen, stabilen und feuerfesten Unterlage in Betrieb genommen werden, damit Brandgefahr vermieden werden kann.

▶ **2.9.** Es ist absolut verboten das Gerät in Kellergeschossen oder unterirdischen Räumen in Betrieb zu nehmen.

▶ **2.10.** Das Heizgerät darf nicht in Räumen benutzt werden, in denen sich entzündlicher Staub, Rauch, Gas sowie entzündliche Brennstoffe, Lösungsmittel oder Farben befinden.

▶ **2.11.** Sollte das Heizgerät nahe von Planen, Zelten oder ähnlichen Materialien in Betrieb genommen werden, wird empfohlen entsprechende zusätzliche feuerfeste Abdeckungen zu verwenden. Zwischen brennbaren (Stoffe, Papiere, Holz etc.) bzw. wärmeempfindlichen Stoffen (einschließlich des Netzkabels) und den heißen Teilen des Geräts ist ein ausreichender Abstand von nicht weniger als 2,5 m einzuhalten.

▶ **2.12.** Die Glasflasche in einer geschützten Position hinter dem Gerät aufbewahren (Abb. 1). Das Heizgerät darf niemals in Richtung Gasflaschen ausgerichtet werden (Abb. 2).

▶ **2.13.** Aus keinem Grund dürfen die Luftaufnahmen (Rückseite) und/oder der Luftauslass (Vorderseite) vollständig oder teilweise verschlossen werden (Abb. 3). Es muss vermieden werden, Luftleitsysteme vom/zum Heizgerät zu verwenden. Es muss sichergestellt werden, dass die Öffnungen zum Ansaugen der Luft am

Boden (für Modelle mit dieser Lösung) nicht verschlossen werden.

► **2.14.** Sollte sich das Gerät nicht ordnungsgemäß einschalten oder bei der Einschaltung Störungen auftreten, den entsprechenden Abschnitt konsultieren (Abschnitt „13. FUNKTIONSTÖRUNGEN, URSACHEN UND ABHILFEN“).

► **2.15.** Befindet sich das Gerät in Betrieb darf es niemals bewegt oder verändert und ebenso wenig dürfen Wartungseingriffe vorgenommen werden.

► **2.16.** Unter jeder Betriebs- oder Aufstellungsbedingung des Gerätes muss darauf geachtet werden, dass der Gasschlauch nicht beschädigt wird (gedrückt, geknickt, verdreht, lang gezogen).

► **2.17.** Sollte Gasgeruch wahrgenommen werden, muss das Gerät sofort ausgeschaltet, die Gasflasche geschlossen, der Netzstecker herausgezogen und danach der Kundendienst verständigt werden.

► **2.18.** Wird der Gasschlauch ersetzt, darf nur ein für den Betriebsdruck geeigneter Schlauch verwendet werden, wobei sich an die nationalen Vorschriften gehalten werden muss. Der Gasschlauch muss eine Länge von 1,5 m aufweisen.

► **2.19.** Wird das Heizgerät über ein Raumthermostat (optionales Zubehör) gesteuert, kann sich dieses jeder Zeit einschalten, d. h. wenn die Temperatur unter eine eingestellte Grenze fällt.

► **2.20.** Sollte dieses nicht verwendet werden, das Heizgerät vom Stromnetz trennen, die Gasversorgung schließen, den Gasschlauch vom Heizgerät entfernen und den Eingang der Restzufuhr verschließen.

► **2.21.** Mindestens einmal im Jahr und/oder je nach Bedarf die Funktionsweise des Heizgerätes vom Kundendienst überprüfen lassen.

►► 3. ART DES BRENNSTOFFES

Es darf nur Gas der Klasse I₃B/P verwendet werden.

►► 4. ANSCHLUSS UND AUSTAUSCH DER GASFLASCHE

Die Glasflasche muss im Freien und außerhalb der Reichweite von Wärmequellen, Funken sowie Flammen ausgewechselt werden.

Zum Anschluss der Gasflasche an das Heizgerät darf ausschließlich folgendes Zubehör verwendet werden:

- Schlauch für Flüssiggase.
- Druckregler für Flüssiggase mit Sicherheitsventil.

DENSCHLAUCH GASVERSORGUNG AUF SCHÄDEN KONTROLLIEREN. SOLLTE DIESER AUSGETAUSCHT WERDEN MÜSSEN, NUR DURCH EINEN FÜR DEN BETRIEBSDRUCK GEEIGNETEN SCHLAUCH ERSETZEN, WOBEI SICH AN DIE NATIONAL EN VORSCHRIFTEN GEHALTEN WERDEN.

► Für den Anschluss der Gasflasche an das Heizgerät:

ACHTUNG: ALLE SCHRAUBVERBINDUNGEN SIND LINKSGÄNGIG, D. H. DIESE WERDEN ENTGEHEN UHRZEIGERSINN FESTGESCHRAUBT.

► **4.1.** Den Gasschlauch an die Verbindung des Heizgerätes anschrauben (Abb. 4).

► **4.2.** Den Druckregler an die Gasflasche anbringen. Dabei muss sichergestellt werden, dass sich am Druckregler eine Dichtung (wenn der Anschluss dies vorsieht) befindet (Abb. 5).

► **4.3.** Den Gasschlauch mit dem Druckregler verbinden (Abb. 6).

► **4.4.** Den Hahn der Gasflasche öffnen (Abb. 7).

► **4.5.** Den Schalter zur Freigabe des Reglers betätigen (Abb. 8). **Mithilfe von Seifenwasser prüfen, dass die Verbindungsdichtungen undurchlässig sind. Chemisch sondern man darf Sind Seifenblasen zu erkennen, weist dies auf eventuellen Gasaustritt hin (Abb. 9).** Zur Erhöhung der autonomen Betriebsdauer besteht die Möglichkeit mehrere Gasflaschen miteinander zu verbinden. **Es wird empfohlen Gasflaschen**

von 30 kg mit einer thermischen Leistung von bis zu 33 kW sowie bei über 33 kW mit entsprechend höherer Kapazität zu verwenden. Damit Probleme aufgrund der fehlenden Vergasung des Brennstoffes vermieden werden, müssen Gasflaschen mit entsprechender Kapazität verwendet werden. Der richtige Betriebsdruck (Typenschild am Heizgerät) wird vom Druckregler vorgegeben, der in der Ausstattung enthalten ist oder von gleichwertigen Modellen.

▶▶ 5. ANSCHLUSS AN DAS STROMNETZ

PRÜFEN, DASS DIE ELEKTRISCHE ANLAGE MIT EINER VORSCHRIFTSMÄSSIGEN ERDUNG AUSGESTATTET IST.

Vor Anschluss des Heizgerätes an das Stromnetz, muss geprüft werden, dass Spannung und Versorgungsfrequenz wie vorgegeben vorhanden sind (siehe Typenschild am Heizgerät). Der Stromanschluss (Abb. 10) muss gemäß den geltenden nationalen Vorschriften vorgenommen werden.

▶▶ 6. EINSCHALTUNG DER MANUELLEN MODELLE (... / ...M / ...DV / ...M DV)

WICHTIGERHINWEIS: Für die Modelle ...DV / ...M DV muss die Position des Schalters zur Spannungsänderung (220-240V / 110-120V) (Abb. 11) geprüft werden. Sollte die am Gerät eingestellte Spannung nicht der vom Netz zugeführten entsprechen, muss diese angeglichen werden. Die beiden Befestigungsschrauben des Deckels (Abb. 12) lösen, den Schalter auf den Wert der zugeführten Spannung stellen (Abb. 13) und den Deckel wieder anbringen (Abb. 14).

• 6.1. HEIZMODUS:

▶ 6.1.1. Den Schalter auf „O/I“ in Position „I“ (Abb. 15) bringen.

▶ 6.1.2. Den Gasschalter am Boden betätigen und gedrückt halten (Abb. 16).

▶ 6.1.3. Den piezoelektrischen Zünder am Boden (Abb. 17) wiederholt betätigen, wobei der Gasschalter gedrückt gehalten werden muss (Abb. 16).

▶ 6.1.4. Nachdem die Flamme entzündet wurde, muss der Gasschalter noch weitere 15 s (Abb. 18) gedrückt gehalten werden.

▶ 6.1.5. Gasschalter loslassen (Abb. 19). Wird die Strom- oder Gaszufuhr unterbrochen, schaltet sich das Gerät aus. Das erneute Einschalten des Heizgerätes erfolgt nicht automatisch. Dies muss manuell vorgenommen werden, indem der Entzündungsvorgang wiederholt wird.

Sollte sich das Gerät nicht einschalten, entsprechenden Abschnitt (Abschnitt „13. FUNKTIONSTÖRUNGEN, URSACHEN UND ABHILFEN“) konsultieren.

• 6.2. VENTILATIONSMODUS:

Das Gerät können auch als Ventilator genutzt werden. Hierfür das Gerät hat an die Stromversorgung anschließen (Abb. 10) und den Schalter „O/I“ in die Position „I“ (Abb. 15) bringen.

HINWEIS: Bevor das Heizgerät vom Heizmodus in den Ventilationsmodus gebracht werden kann, muss für die manuellen Modelle die Ausschaltung ordnungsgemäß vorgenommen werden [Abschnitt „9. AUSSCHALTUNG DER MANUELLEN MODELLE (... / ...M / ...DV / ...M DV)“].

▶▶ 7. EINSCHALTUNG DER ELEKTRONISCHEN MODELLE (...E / ...ET)

▶ 7.1. Den Schalter auf „O/I“ in Position „I“ (Abb. 15) bringen.

▶ 7.2. Den Reset-Schalter betätigen (Abb. 20).

Das Gerät beginnt mit der Analyse und nach 20÷30 s entzündet sich die Flamme (siehe Funktionsplan Abb. 21).

Wird die Strom- oder Gaszufuhr unterbrochen, schaltet sich das Gerät aus.

Das erneute Einschalten des Heizgeräts erfolgt nicht automatisch. Dies muss manuell vorgenommen werden, indem der Schalter „RESET“ (Abb. 20) betätigt wird.

Sollte sich das Gerät nicht einschalten, entsprechenden Abschnitt (Abschnitt „13. FUNKTIONSTÖRUNGEN, URSACHEN UND ABHILFEN“).

ACHTUNG: Sollte sich das Heizgerät aufgrund eines Eingriffes des Raumthermostats (optionales Zubehör) ausgeschaltet werden, erfolgt die erneute Einschaltung automatisch, wenn die Temperatur unter die eingegebene Grenze sinkt.

►► 8. REGULIERUNG DER THERMISCHEN LEISTUNG

Je nach Art des Heizgerätes kann seine thermische Leistung reguliert werden. Die thermische Leistung wird je nach Modell über den Reglerknopf an der Basis des Gerätes (Abb. 22) oder am Druckregler der Gasflasche (Abb. 23) eingestellt.

►► 9. AUSSCHALTUNG DER MANUELLEN MODELLE (... / ...M / ...DV / ...M DV)

- 9.1. Gasflasche schließen (Abb. 24).
- 9.2. Damit Schäden im Inneren aufgrund von Überhitzung vermieden werden, muss der Ventilator für ungefähr 60 s laufen.
- 9.3. Den Schalter auf „O/I“ in Position „O“ (Abb. 25) bringen.
- 9.4. Heizgerät vom Stromnetz nehmen (Abb. 26).
- 9.5. Den Gasschlauch vom Heizgerät trennen (Abb. 27-28-29).

►► 10. AUSSCHALTUNG DER ELEKTRONISCHEN MODELLE (...E / ...ET)

► 10.1. Den Schalter auf „O/I“ in Position „O“ (Abb. 25) bringen. Die Flamme erlischt und das Heizgerät geht in die Phase der Nach-Belüftung über. Warten bis der Zyklus beendet wurde, damit keine Schäden im Inneren aufgrund von Überhitzung entstehen

(diese Automatikphase kann je nach Innen-/ Außentemperatur des Heizgerätes von 50 s±5 min dauern).

- 10.2. Gasflasche schließen (Abb. 24).
 - 10.3. Heizgerät vom Stromnetz nehmen (Abb. 26).
 - 10.4. Den Gasschlauch vom Heizgerät trennen (Abb. 27-28-29).
- HINWEIS:** Damit Schäden aufgrund von Überhitzung vermieden werden, sollte das Gerät nicht von der Stromversorgung getrennt werden, bevor die Phase der Nach-Belüftung abgeschlossen ist.

►► 11. REINIGUNG UND WARTUNG

Mindestens einmal im Jahr und/oder je nach Bedarf muss die Funktionsweise des Heizgerätes vom Kundendienst überprüft werden. Bevor das Gerät wieder in Betrieb genommen wird, muss es gereinigt werden.

- 11.1. Vor Beginn jedes Wartungs- oder Instandhaltungseingriffs sowie Reparatur des Gerätes muss dieses vollständig ausgeschaltet werden [Abschnitt „9. AUSSCHALTUNG DER MANUELLEN MODELLE (... / ...M / ...DV / ...M DV)“ oder „10. AUSSCHALTUNG DER ELEKTRONISCHEN MODELLE (...E / ...ET)“].
- 11.2. Gereinigt wird lediglich der Bereich der Luftaufnahmen (Rückseite) des Heizgeräts.
- 11.3. Wird das Gerät wieder in Betrieb genommen, muss der Gasschlauch und das Versorgungskabel auf Schäden geprüft werden. Sollten sich hieran Zweifel ergeben, muss mit dem Kundendienst ein Eingriff vereinbart werden.
- 11.4. Es dürfen niemals Eingriffe am Gerät vorgenommen werden, die nicht autorisiert wurden.

►► 12. ANSCHLUSS DES RAUMTHERMOSTATS (...E / ...ET) (optional)

Den am Gerät angebrachten Deckel entfernen und das Raumthermostat (optional) anschließen (Abb. 30).
Siehe Schaltplan (...E / ...ET).

►► 13. FUNKTIONSTÖRUNGEN, URSACHEN UND ABHILFEN

FUNKTIONSSTÖRUNGM ...DV ...M DV	...E ...ET	URSACHEN	ABHILFEN
Der Motor startet nicht	X	X	Keine Spannung vorhanden	1°Elektrische Anlage überprüfen 2°Technischer Kundendienst
	X	X	Versorgungskabel defekt/beschädigt	Technischer Kundendienst
	X	X	Motor defekt	Technischer Kundendienst
		X	Falsche Anschluss des Raumthermostats	Raumthermostat ordnungsgemäß anschließen
Flamme entzündet sich nicht	X	X	Gasflasche aufgebraucht	Gasflasche ersetzen (Abschnitt 4)
	X	X	Sicherheitsventil des Reglers gesperrt	1°Schalter des Reglers zur Sperrung der Gas zuvor betätigen (Abb. 8) 2°Technischer Kundendienst
	X	X	Hahn der Gasflaschen geschlossen	Hahn der Gasflasche öffnen (Abb. 7)
	X	X	Schaltkreis der Einschaltung defekt	Technischer Kundendienst
		X	Erdung nicht ausreichend	Erdungsleitung der elektrischen Anlage überprüfen
Flamme erlischt nicht	X		Gasschalter wurde nicht ausreichend langen betätigt	Gasschalter länger gedrückt halten (Abschnitt 6.1.4.)
	X	X	Heizgerät defekt	Technischer Kundendienst
Flamme erlischt während des Betriebs	X	X	Gaszufuhr unzureichend	1°Gasflasche ersetzen (Abschnitt 4) 2°Technischer Kundendienst
	X	X	Vergasung des Brennstoffes nicht ausreichend	Gasflasche mit ausreichender Kapazität verwenden (Abschnitt 4)
	X	X	Überhitzung des Gerätes	1°Luftaufnahme reinigen (Rückseite) 2°Technischer Kundendienst
	X	X	Heizgerät defekt	Technischer Kundendienst

ÍNDICE DE LOS APARTADOS

1...	DESCRIPCIÓN
2...	ADVERTENCIAS
3...	TIPO DE COMBUSTIBLE
4...	CONEXIÓN Y SUSTITUCIÓN DE LA BOMBONA DE GAS
5...	CONEXIÓN A LA RED ELÉCTRICA
6...	ENCENDIDO PARA LOS MODELOS MANUALES (... / ...M / ...DV / ...M DV)
7...	ENCENDIDO PARA LOS MODELOS ELECTRÓNICOS (...E / ...ET)
8...	REGULACIÓN DE LA POTENCIA TÉRMICA
9...	APAGADO PARA LOS MODELOS MANUALES (... / ...M / ...DV / ...M DV)
10...	APAGADO PARA LOS MODELOS ELECTRÓNICOS (...E / ...ET)
11...	LIMPIEZA Y MANTENIMIENTO
12...	CONEXIÓN DEL TERMOSTATO AMBIENTE (...E / ...ET)
13...	ANOMALÍAS DE FUNCIONAMIENTO, CAUSAS Y SOLUCIONES

IMPORTANTE: LEA Y COMPRENDA ESTE MANUAL OPERATIVO ANTES DE REALIZAR EL ENSAMBLADO, LA PUESTA EN FUNCIONAMIENTO O EL MANTENIMIENTO DE ESTE GENERADOR. EL USO INCORRECTO DEL GENERADOR PUEDE CAUSAR LESIONES GRAVES. CONSERVE ESTE MANUAL PARA FUTURAS CONSULTAS.

►► 1. DESCRIPCIÓN

Este generador es un calentador de aire portátil que funciona con gas líquido, y se caracteriza por el aprovechamiento total del combustible mediante el intercambio térmico por mezcla directa entre el aire aspirado y los productos de la combustión. Cuenta con una manilla práctica para facilitar su transporte y el desplazamiento. El equipo está realizado de acuerdo con la norma EN 1596.

►► 2. ADVERTENCIAS

►⚠ **IMPORTANTE:** No lo use para la calefacción de las áreas habitables de edificios residenciales; para el uso en edificios públicos consulte los reglamentos nacionales.

►⚠ **IMPORTANTE:** Este equipo no es indicado para el uso por parte de personas (incluidos los niños) con capacidades físicas, sensoriales y

mentales reducidas, o inexpertas, a no ser que sean controladas por una persona responsable de su seguridad. Se debe controlar a los niños para que no jueguen con el equipo. Mantenga a los animales a una distancia de seguridad del equipo.

►⚠ **IMPORTANTE:** El uso inapropiado de este generador puede provocar daños o peligro de vida a personas, lesiones, quemaduras, explosiones, electrochoque o envenenamiento. Los primeros síntomas de asfixia debida al óxido de carbono se parecen a los de la gripe con cefaleas, mareos o náusea. La causa de estos síntomas podría ser el funcionamiento defectuoso del generador. Si ESTOS SÍNTOMAS SE PRESENTAN, SALGA INMEDIATAMENTE AL AIRE LIBRE y llame a la asistencia técnica para que repare el generador.

▶ **⚠ IMPORTANTE:** Todas las operaciones de limpieza, mantenimiento y reparación que prevén el acceso a partes peligrosas (como la sustitución del cable de alimentación dañado) las debe realizar el fabricante, su servicio de asistencia técnica o una persona con una cualificación parecida, para prevenir cualquier riesgo, aunque esté prevista la desconexión de la red de alimentación.

▶ **2.1.** Para un uso correcto del generador, y para la conservación del combustible atégase a todas las disposiciones locales y a la normativa vigente.

▶ **2.2.** El generador necesita un adecuado recambio de aire para poder funcionar. Por eso, se debe usar al aire libre o en habitaciones con un recambio de aire seguro y continuo. Una aireación buena está asegurada cuando el volumen de la habitación se calcula sobre la potencia térmica con la fórmula de 1 m^3 por cada 100 W de potencia. De ninguna manera el volumen recomendado de la habitación debe ser menor de 100 m^3 . Una buena ventilación se garantiza con una apertura que satisfaga la fórmula de 25 cm^2 por kW de potencia térmica, con un mínimo de 250 cm^2 dividido equamente entre la parte superior y la inferior de la habitación. Para la instalación valen las normas nacionales vigentes, incluidas las normas técnicas y las disposiciones en materia de prevención de accidentes y de incendios.

▶ **2.3.** El equipo se debe usar solo como generador de aire caliente (modo calefacción) o ventilador (modo ventilación, para los modelos que prevén esta funcionalidad). Para el uso siga escrupulosamente las presentes instrucciones.

▶ **2.4.** El fabricante declina toda responsabilidad por daños a personas o cosas debidos al uso inapropiado del equipo.

▶ **2.5.** Alimente el generador solo con el tipo de combustible expresamente especificado y con una corriente de tensión y frecuencia como las que se indica en la placa de datos colocada en el generador.

▶ **2.6.** Asegúrese de conectar el generador solo a redes eléctricas que tengan el interruptor diferencial y la puesta a tierra adecuada.

▶ **2.7.** Use solo alargadores con la sección adecuada y con hilo de puesta a tierra.

▶ **2.8.** El generador debe trabajar sobre una superficie nivelada, estable e ignífuga para evitar riesgos de incendio.

▶ **2.9.** Se prohíbe absolutamente usar el equipo en semisótanos o bajo el nivel del suelo.

▶ **2.10.** El generador no se debe usar en locales donde haya polvos explosivos, humos, gases, combustibles, disolventes, pinturas.

▶ **2.11.** Si el generador se usa cerca de lonas, cortinas o materiales de cobertura parecidos, se aconseja utilizar protecciones adicionales ignífugas. Es necesario mantener una distancia adecuada respecto a las partes calientes del generador, que de ninguna manera debe ser inferior a 2,5 m de materiales inflamables (tela, papel, madera, etc.) o termolábiles (incluido el cable de alimentación).

▶ **2.12.** Coloque la bombona de gas en una posición protegida detrás del equipo (Fig. 1). El generador no debe estar orientado nunca hacia la bombona de gas (Fig. 2).

▶ **2.13.** Se prohíbe obstruir completa o parcialmente la toma de aire (lado posterior) y/o la boca de salida de aire (lado anterior) por ninguna razón (Fig. 3). No use ninguna canalización de aire desde o hacia el generador. Controle que las ranuras de aspiración de aire presentes en el fondo de la base (para los modelos que adoptan esta solución) no estén obstruidas.

► **2.14.** En caso de fallo de encendido o de encendido anómalo del generador consulte la correspondiente sección (Apdo. "13. ANOMALÍAS DE FUNCIONAMIENTO, CAUSAS Y SOLUCIONES").

► **2.15.** No se debe desplazar, manipular, ni realizar ninguna intervención de mantenimiento en el generador cuando está en funcionamiento.

► **2.16.** Preste atención a no dañar el tubo de gas flexible (que no debe estar aplastado, doblado, torcido o tenso) en cualquier condición de uso o de estacionamiento del equipo.

► **2.17.** Si siente olor a gas, apague el equipo inmediatamente, cierre la bombona de gas, desconecte el enchufe de red y luego contacte con la asistencia técnica.

► **2.18.** En caso de sustitución del tubo de gas, use solo tubos de tipo flexible adecuados para la presión de uso en relación con las reglamentaciones nacionales. El tubo de gas debe tener una longitud de 1,5 m.

► **2.19.** Cuando el equipo está controlado por un termostato ambiente (artículo opcional) el generador se puede volver a encender en cualquier momento, o sea, cuando la temperatura baja a menos del umbral configurado.

► **2.20.** Cuando no se usa, desconecte el generador de la toma de red, cierre la alimentación de gas, desconecte el tubo de gas del generador y tape la entrada de gas del generador.

► **2.21.** El funcionamiento correcto del generador debe ser controlado por la asistencia técnica por lo menos una vez al año o en dependencia de las necesidades.

►► **3. TIPO DE COMBUSTIBLE**

Use solo gas de la categoría I₃B/P.

►► **4. CONEXIÓN Y SUSTITUCIÓN DE LA BOMBONA DE GAS**

La bombona de gas se debe sustituir al aire libre, lejos de fuentes de calor, en una atmósfera sin llamas.

Para conectar la bombona de gas al generador use exclusivamente los siguientes accesorios:

- Tubo flexible para gas líquido.
- Regulador de presión para gas líquido con válvula de seguridad.

CONTROLE QUE EL TUBO DE GAS DE ALIMENTACIÓN ESTÉ ÍNTEGRO. SI HAY QUE SUSTITUIRLO, USE SOLO UN TUBO FLEXIBLE ADECUADO PARA LA PRESIÓN DE USO EN RELACIÓN CON LAS REGLAMENTACIONES NACIONALES.

► Para conectar el generador a la bombona de gas:

ATENCIÓN: TODAS LAS ROSCAS SON SINISTRORSAS, O SEA QUE SE DEBEN APRETAR EN SENTIDO ANTIHORARIO.

► **4.1.** Enrosque el tubo de gas al racor del generador (Fig. 4).

► **4.2.** Instale el regulador de presión en la bombona de gas. Controle que el regulador tenga la junta, si el tipo de conexión la prevé (Fig. 5).

► **4.3.** Conecte el tubo de gas al regulador de presión (Fig. 6).

► **4.4.** Abra la llave de la bombona de gas (Fig. 7).

► **4.5.** Pulse el botón para desbloquear el regulador (Fig. 8). **Controle la estanqueidad de los racores con agua jabonosa: si aparecen burbujas quiere decir que hay pérdidas de gas (Fig. 9).**

Es posible empalmar varias bombonas de gas entre sí, para obtener una autonomía mayor. **Se recomienda usar bombonas de gas de 30 kg hasta la potencia térmica de 33 kW; por encima de 33 kW, use bombonas de gas con una capacidad superior. Se recomienda usar bombonas de gas de capacidad adecuada para**

evitar problemas debidos a la falta de gasificación del combustible. La presión de funcionamiento correcta (vea la placa de datos colocada en el generador) se debe al regulador suministrado o a un modelo equivalente.

▶▶ 5. CONEXIÓN A LA RED ELÉCTRICA

CONTROLE QUE LA PUESTA A TIERRA DE SU INSTALACIÓN ELÉCTRICA SEA CORRECTA.

Antes de conectar el generador a la red eléctrica controle que la tensión y la frecuencia de alimentación sean correctas (vea la placa de datos colocada en el generador). La conexión a la red eléctrica (Fig. 10) se debe realizar de acuerdo con las normas nacionales vigentes.

▶▶ 6. ENCENDIDO PARA LOS MODELOS MANUALES (... / ...M / ...DV / ...M DV)

IMPORTANTE: Para los modelos ...DV / ...M DV, controle la posición del interruptor cambia tensión (220-240V / 110-120V) (Fig. 11). Si la tensión configurada en el equipo no corresponde con la suministrada por la red, hay que adaptarla. Desenrosque los dos tornillos de fijación de la tapa (Fig. 12), ponga el interruptor en el valor de tensión suministrada (Fig. 13) y vuelva a montar la tapa (Fig. 14).

• 6.1. MODO DE CALEFACCIÓN:

▶ 6.1.1. Ponga el interruptor "O/I" en la posición "I" (Fig. 15).

▶ 6.1.2. Pulse el botón del gas hasta el fondo y manténgalo pulsado (Fig. 16).

▶ 6.1.3. Accione a fondo varias veces el encendedor piezoeléctrico (Fig. 17), manteniendo pulsado el botón de gas (Fig. 16).

▶ 6.1.4. Después que se enciende la llama, mantenga pulsado el botón del gas por unos 15 s (Fig. 18).

▶ 6.1.5. Suelte el botón del gas (Fig. 19). El equipo se apaga en caso de interrupción de la energía eléctrica o si falta el gas. El generador no se vuelve a encender automáticamente, sino que hay que volver a repetir manualmente el procedimiento de encendido.

Si el equipo no se enciende, consulte la correspondiente sección (Apdo. "13. ANOMALÍAS DE FUNCIONAMIENTO, CAUSAS Y SOLUCIONES").

• 6.2. MODO DE VENTILACIÓN:

El generador también se puede utilizar como ventilador. Conecte el generador a la red eléctrica (Fig. 10) y ponga el interruptor "O/I" en la posición "I" (Fig. 15). **Nota:** Con el generador en funcionamiento en modo de calefacción, antes de pasar al modo de ventilación, realice correctamente el procedimiento de apagado para los modelos manuales [Apdo. "9. APAGADO PARA LOS MODELOS MANUALES (... / ...M / ...DV / ...M DV)"].

▶▶ 7. ENCENDIDO PARA LOS MODELOS ELECTRÓNICOS (...E / ...ET)

▶ 7.1. Ponga el interruptor "O/I" en la posición "I" (Fig. 15).

▶ 7.2. Pulse el botón de "RESET" (Fig. 20). El generador comienza la secuencia de análisis y después de alrededor de 20÷30 s la llama se enciende (vea el esquema de funcionamiento Fig. 21).

El equipo se apaga en caso de interrupción de la energía eléctrica o si falta el gas. El generador no se vuelve a encender automáticamente, sino que hay que volverlo a encender manualmente pulsando el botón "RESET" (Fig. 20).

Si el equipo no se enciende, consulte la correspondiente sección (Apdo. "13. ANOMALÍAS DE FUNCIONAMIENTO, CAUSAS Y SOLUCIONES").

ATENCIÓN: Si el generador se detiene por una intervención del termostato ambiente (artículo opcional) el equipo se vuelve a encender automáticamente cuando la temperatura se pone por debajo del umbral configurado.

▶▶ 8. REGULACIÓN DE LA POTENCIA TÉRMICA

La potencia térmica del equipo se puede regular en función del tipo de generador. La potencia térmica se puede regular mediante el botón puesto en la base del generador (Fig. 22) o en el regulador de presión instalado en la bombona de gas (Fig. 23), según el modelo.

▶▶ 9. APAGADO PARA LOS MODELOS MANUALES (... / ...M / ...DV / ...M DV)

- ▶ 9.1. Cierre la bombona de gas (Fig. 24).
- ▶ 9.2. Deje funcionar el ventilador por unos 60 s para evitar daños internos debidos al sobrecalentamiento (enfriamiento interno del generador).
- ▶ 9.3. Ponga el interruptor "O/I" en la posición "O" (Fig. 25).
- ▶ 9.4. Desconecte el generador de la red eléctrica (Fig. 26).
- ▶ 9.5. Desconecte el generador del tubo de alimentación del gas (Fig. 27-28-29).

▶▶ 10. APAGADO PARA LOS MODELOS ELECTRÓNICOS (...E / ...ET)

- ▶ 10.1. Ponga el interruptor "O/I" en la posición "O" (Fig. 25). La llama se apaga y el generador realiza la fase de post-ventilación. Espere a que el ciclo termine para evitar daños internos por sobrecalentamiento (la fase es automática y puede durar de 50 s÷5 min en dependencia de la temperatura interior/ exterior del generador).
- ▶ 10.2. Cierre la bombona de gas (Fig. 24).
- ▶ 10.3. Desconecte el generador de la red eléctrica (Fig. 26).

▶ 10.4. Desconecte el generador del tubo de alimentación del gas (Fig. 27-28-29).
Nota: Evite desconectar el generador de la red eléctrica, antes del término de la fase de post ventilación, para evitar daños internos debidos al sobrecalentamiento.

▶▶ 11. LIMPIEZA Y MANTENIMIENTO

El funcionamiento correcto del generador debe ser controlado por la asistencia técnica por lo menos una vez al año o en dependencia de las necesidades. Limpie el equipo antes de guardarlo después del uso.

- ▶ 11.1. Antes de realizar cualquier tipo de trabajo de mantenimiento, cuidado y reparación del equipo, realice el procedimiento de apagado [Apdo. "9. APAGADO PARA LOS MODELOS MANUALES (... / ...M / ...DV / ...M DV)" o "10. APAGADO PARA LOS MODELOS ELECTRÓNICOS (...E / ...ET)"].
- ▶ 11.2. La limpieza concierne solo la toma de aire (lado posterior) del generador.
- ▶ 11.3. Cuando vuelva a utilizar el equipo, controle el estado de integridad del tubo de gas y del cable de alimentación; si tiene dudas sobre su integridad, solicite la intervención de la asistencia técnica.
- ▶ 11.4. No realice intervenciones no autorizadas.

▶▶ 12. CONEXIÓN DEL TERMOSTATO AMBIENTE (...E / ...ET) (opcional)

Quite el tapón conectado al equipo y conecte el termostato ambiente (opcional) (Fig. 30).
Vea el esquema eléctrico (...E / ...ET).

►► 13. ANOMALÍAS DE FUNCIONAMIENTO, CAUSAS Y SOLUCIONES

ANOMALÍAS DE FUNCIONAMIENTOM ...DV ...M DV	...E ...ET	CAUSAS	SOLUCIONES
El motor no arranca	X	X	Falta de tensión	1°Check the mains system 2°After-sales assistance
	X	X	Cable de alimentación defectuoso/dañado	Asistencia técnica
	X	X	Motor averiado	Asistencia técnica
		X	Conexión incorrecta del termostato ambiente	Conecte el termostato ambiente correctamente
La llama no se enciende	X	X	Bombona de gas agotada	Sustituya la bombona de gas (Apdo. 4)
	X	X	Válvula de seguridad del regulador bloqueada	1°Pulse el botón para desbloquear el gas del regulador (Fig. 8) 2°Asistencia técnica
	X	X	Llave de la bombona de gas cerrada	Abra la llave de la bombona de gas (Fig. 7)
	X	X	Circuito de encendido defectuoso	Asistencia técnica
		X	Puesta a tierra ineficaz	Controle la correcta puesta a tierra de su instalación
La llama no se queda encendida	X		Botón del gas pulsado durante un tiempo insuficiente	Pulse el botón del gas por un tiempo más prolongado (Apdo. 6.1.4.)
	X	X	Generador defectuoso	Asistencia técnica
Apagado de la llama durante el funcionamiento	X	X	Alimentación de gas insuficiente	1°Sustituya la bombona de gas (Apdo. 4) 2°Asistencia técnica
	X	X	Falta de gasificación del combustible	Use bombonas de gas con capacidad adecuada (Apdo. 4)
	X	X	Sobrecalentamiento del equipo	1°Limpie la toma de aire (lado posterior) 2°Asistencia técnica
	X	X	Generador defectuoso	Asistencia técnica

SOMMAIRE DES PARAGRAPHES

1...	<i>DESCRIPTION</i>
2...	<i>AVERTISSEMENTS</i>
3...	<i>TYPE DE COMBUSTIBLE</i>
4...	<i>CONNEXION ET REMPLACEMENT DE LA BOUTEILLE DE GAZ</i>
5...	<i>CONNEXION AU RÉSEAU ÉLECTRIQUE</i>
6...	<i>ALLUMAGE POUR LES MODÈLES MANUELS (... / ...M / ...DV / ...M DV)</i>
7...	<i>ALLUMAGE POUR LES MODÈLES ÉLECTRONIQUES (...E / ...ET)</i>
8...	<i>RÉGULATION DE LA PUISSANCE THERMIQUE</i>
9...	<i>ARRÊT POUR LES MODÈLES MANUELS (... / ...M / ...DV / ...M DV)</i>
10...	<i>ARRÊT POUR LES MODÈLES ÉLECTRONIQUES (...E / ...ET)</i>
11...	<i>NETTOYAGE ET ENTRETIEN</i>
12...	<i>CONNEXION DU THERMOSTAT D'AMBIANCE (...E / ...ET)</i>
13...	<i>RÉSOLUTION DES PROBLÈMES</i>

IMPORTANT: LIRE ET COMPRENDRE CE MANUEL OPERATIF AVANT D'EFFECTUER L'ASSEMBLAGE, LA MISE EN MARCHÉ OU L'ENTRETIEN DE CE GÉNÉRATEUR. UNE MAUVAISE UTILISATION PEUT CAUSER DES GRAVES BLESSURES. VEUILLEZ GARDER CE MANUEL COMME RÉFÉRENCE FUTURE.

►► 1. DESCRIPTION

Ce générateur est un chauffage d'air chaud portable qui fonctionne à gaz liquide, caractérisé par l'usage total du combustible, à travers un échange thermique pour le mélange direct entre l'air aspirée et les produits de la combustion. Il est fourni avec une poignée pratique qui facilite le déplacement et la manutention. L'appareil est produit selon la Norme EN 1596.

►► 2. AVERTISSEMENTS

►⚠ **IMPORTANT:** Ne pas utiliser cet appareil pour le chauffage de maisons ou édifices résidentiels; pour l'utilisation dans des édifices publics, faire référence aux réglementations nationales.

►⚠ **IMPORTANT:** Cet appareil n'est pas adapté à l'utilisation de la part de personnes (enfants inclus) avec capacités physiques, sensorielles ou

mentales réduites, ou de la part de personnes pas expertes, au moins que ils ne soient sous la surveillance d'une personne responsable de leur sécurité. Les enfants doivent être sous contrôle, pour s'assurer qu'ils ne jouent pas avec l'appareil. Les animaux doivent être tenus à distance de l'appareil.

►⚠ **IMPORTANT:** L'utilisation inappropriée de ce générateur peut provoquer des dommages ou danger de vie, blessures, brûlures, explosions, électrochoc ou empoisonnement. Les premiers symptômes d'asphyxie par monoxyde de carbone sont similaires à ceux de la grippe, avec céphalée, vertiges et/ou nausée. Ces symptômes pourraient être causés par un fonctionnement défectueux du générateur. **AU CAS OÙ CES SYMPTOMES SE PRÉSENTENT, SORTEZ IMMÉDIATEMENT AU DEHORS et faites réparer le générateur par l'assistance technique.**

► **⚠ IMPORTANT:** Toutes les opérations de nettoyage, entretien et réparation qui prévoient l'accès à des parties dangereuses (comme le remplacement d'un câble d'alimentation endommagé) doivent être faites par le producteur, par son service après vente, par une personne qualifiée ou similaire, afin de prévenir tout risque, même si on prévoit la déconnexion du réseau d'alimentation.

► **2.1.** Pour une utilisation correcte du générateur et pour la conservation du combustible, se tenir à toutes les ordonnances locales et aux réglementations en vigueur.

► **2.2.** Pour son fonctionnement, le générateur nécessite d'un rechange d'air adéquat. Il doit alors être positionné à l'extérieur ou dans des pièces avec rechange d'air assuré et continu. Une bonne aération est assurée quand le volume de la pièce est calculé sur la puissance technique, avec la formule de 1 m^3 tous les 100 W de puissance. En aucun cas le volume recommandé de la pièce doit être inférieur à 100 m^3 . Une bonne ventilation est assurée par une ouverture qui satisfait la formule de 25 cm^2 par kW de puissance thermique, avec un minimum de 250 cm^2 , également divisé entre partie supérieure et partie inférieure de la pièce. Pour l'installation, se référer aux normes nationales en vigueur, inclus les normes techniques et les dispositions en matière de prévention des accidents du travail et des incendies.

► **2.3.** L'appareil doit être utilisé comme générateur d'air chaud (modalité chauffage), ou ventilateur (modalité ventilation, pour les modales qui prévoient cette fonction). Pour l'utilisation suivez attentivement ces instructions.

► **2.4.** Le fabricant rejette toute responsabilité pour dégâts/dommages à objets ou personnes qui dérive d'une utilisation inappropriée de l'appareil.

► **2.5.** Alimenter le générateur exclusivement avec le type de combustible clairement indiqué et avec courant électrique avec tension et fréquence indiquées sur la plaquette des données appliquée sur le générateur.

► **2.6.** Assurez-vous de connecter le générateur seulement à des réseaux électriques opportunément dotés d'un interrupteur différentiel et d'une mise à terre adéquate.

► **2.7.** Utiliser seulement des rallonges avec section adéquate, avec connexion à terre.

► **2.8.** Le générateur doit fonctionner sur une surface nivelée, stable et ignifuge, de façon d'éviter les risques d'incendie.

► **2.9.** Il est absolument défendu d'utiliser l'appareil dans des locaux sous-sol.

► **2.10.** Le générateur ne doit pas être utilisé dans des locaux où sont présents des poudres explosives, des fumées, du gaz, combustibles, solvants, vernis.

► **2.11.** Au cas où le générateur soit utilisé près de bâches, tentes ou matériels de couverture similaires, on conseille d'utiliser des protections ultérieures de type ignifuge. Faire attention à maintenir une distance adéquate, qui dans aucun cas doit être inférieure à 2,5 m loin des matériels inflammables (tissu, papier, bois) ou sensibles à la température (y compris le câble d'alimentation), des parties chaudes du générateur.

► **2.12.** Positionner la bouteille de gaz en position protégée, derrière l'appareil (Fig. 1). Le générateur ne doit pas être orienté dans le sens de la bouteille de gaz (Fig. 2).

► **2.13.** Pour toute motivation, il est interdit de obstruer complètement ou partiellement la prise d'air (coté postérieur) et/ou la bouche de sortie d'air (coté antérieur) (Fig. 3). Éviter d'utiliser quelque canalisation air du/au générateur. Assurez-vous que les fissures d'aspiration d'air présentes sur le fond de la base ne soit pas obstruées (pour les modèles qui adoptent cette solution).

► **2.14.** Au cas où la mise en marche ne fonctionne, ou il y a une anomalie, consultez le chapitre relatif (Parag. “13. *RESOLUTION DES PROBLEMES*”).

► **2.15.** Lorsque le générateur est en fonction, vous ne devez jamais le déplacer, manier, ou faire quelconque intervention d'entretien.

► **2.16.** En toute condition d'utilisation, de stationnement de l'appareil, faites attention que le tuyau flexible du gaz ne soit pas endommagé (écrasé, plié, tordu, tendu).

► **2.17.** Si vous apercevez une odeur de gaz, éteignez immédiatement l'appareil, fermez la bouteille de gaz et débranchez la prise du réseau et successivement contacter l'assistance technique.

► **2.18.** En cas de remplacement du tuyau du gaz, utilisez seulement des tuyaux flexibles adéquates à la pression d'utilisation, en faisant référence aux réglementations nationales. Le tuyau du gaz doit avoir une longueur de 1,5 m.

► **2.19.** Au cas où l'appareil soit contrôlé par un thermostat d'ambiance (article en option), le générateur peut redémarrer à tout moment et donc quand la température est au dessous du niveau choisi.

► **2.20.** Lorsque le générateur n'est pas utilisé, le déconnecter de la prise du réseau, fermer l'alimentation du gaz, déconnecter le tuyau gaz du générateur et fermer l'entrée du gaz sur le générateur.

► **2.21.** Faire vérifier le fonctionnement correct du générateur par l'assistance technique au moins une fois par an et/ou selon l'exigence.

►► **3. TYPE DE COMBUSTIBLE**

Utilisez seulement le gaz de la catégorie I₃B/P.

►► **4. RACCORDEMENT ET REMPLACEMENT DE LA BOUTEILLE DE GAZ**

La bouteille de gaz doit être remplacée à l'air ouvert, loin de sources de chaleur, en atmosphère sans flammes.

Pour le raccordement de la bouteille de gaz au générateur, les accessoires suivants doivent être utilisés:

- Tuyau flexible pour le gaz liquide.
- Détendeur de pression pour gaz liquide complet avec soupape de sécurité.

VÉRIFIER QUE LE TUYAU DU GAZ SOIT INTACT. AU CAS OÙ IL DOIT ÊTRE REMPLACÉ, UTILISER EXCLUSIVEMENT UN TUYAU DE TYPE FLEXIBLE, ADÉQUAT À LA PRESSION D'UTILISATION, EN FAISANT RÉFÉRENCE AUX RÉGLEMENTATIONS NATIONALES.

► Pour connecter le générateur à la bouteille de gaz:

ATTENTION: TOUTES LES ENFILAGES SONT SÉNESTRES, DONC DOIVENT ÊTRE SERRÉS DANS LE SENS INVERSE DES AIGUILLES D'UNE MONTRE.

► **4.1.** Visser le tuyau du gaz au raccordement du générateur (Fig. 4).

► **4.2.** Installer le détendeur de pression sur la bouteille de gaz. S'assurer que le joint soit présent sur le détendeur (si le type de connexion le prévoit) (Fig. 5).

► **4.3.** Connecter le tuyau gaz au détendeur de pression (Fig. 6).

► **4.4.** Ouvrir le robinet de la bouteille de gaz (Fig. 7).

► **4.5.** Appuyer sur le bouton de déblocage du détendeur (Fig. 8). **Vérifier la résistance des raccordement avec de l'eau savonneuse: des pertes de gaz seront éventuellement signalées par la formation de boules (Fig. 9).** Il est possible de raccorder plusieurs bouteilles de gaz entre elles afin d'obtenir une autonomie majeure. **On conseille l'utilisation de bouteilles de gaz de 30**

kg, jusqu'à la puissance thermique de 33 kW; au dessus de la puissance de 33 kW veuillez utiliser des bouteilles de gaz avec capacité supérieure. On recommande l'utilisation de bouteilles de gaz avec capacité adéquate, afin d'éviter des problèmes du au manque de gazéification dans le combustible. Une correcte pression de fonctionnement (voir la plaquette des données appliquée sur le générateur) est donnée par le détendeur fourni en dotation, ou modèle équivalent.

►► 5. CONNEXION AU RÉSEAU ELECTRIQUE

VERIFIER QUE VOTRE RESEAU ELECTRIQUE EST CORRECTEENT BRANCHÉ À TERRE.

Avant de connecter le générateur au réseau électrique, assurez-vous que la tension et la fréquence d'alimentation soient correctes (voir plaquette appliquée sur le générateur). La connexion au réseau électrique (Fig. 10), doit être fait en accord avec les normes nationales en vigueur.

►► 6. ALLUMAGE POUR LES MODÈLES MANUELS (... / ...M / ...DV / ...M DV)

IMPORTANT: Pour les modèles ...DV / ...M DV, vérifiez le positionnement de l'interrupteur (220-240V / 110-120V) (Fig. 11). Si la tension fixée sur l'appareil ne correspond pas à celle fournie par le réseau, il est nécessaire d'intervenir pour régler la tension. Desserrez les 2 vis de fixation du couvercle (Fig. 12), et bougez l'interrupteur sur la valeur de tension fournie (Fig. 13) et réinstallez le couvercle (Fig. 14).

• 6.1. MODE DE CHAUFFAGE:

► 6.1.1. Porter l'interrupteur us "O/I" en position "I" (Fig. 15).

► 6.1.2. Appuyez sur le bouton gaz à fond et maintenir la pression (Fig. 16).

► 6.1.3. Actionnez à fond plusieurs fois l'igniteur piézo-électrique (Fig. 17), en appuyant continuellement sur le bouton du gaz (Fig. 16).

► 6.1.4. Après l'allumage de la flamme, maintenir la pression sur le bouton du gaz pour 15 s environ (Fig. 18).

► 6.1.5. Déclencher le bouton du gaz (Fig. 19).

Dans le cas d'interruption de l'énergie électrique ou manque de gaz, l'appareil va s'éteindre. Le redémarrage du générateur n'est pas automatique, mais doit être effectué manuellement, en répétant la procédure d'accension.

Si l'appareil ne s'allume pas, consultez le paragraphe de référence (Parag. "13. RESOLUTION DES PROBLEMES").

• 6.2. MODALITÉ DE VENTILATION:

Le générateur peut être utilisé aussi comme ventilateur. Connecter le générateur au réseau électrique (Fig. 10) et porter l'interrupteur "O/I" en position "I" (Fig. 15).

N.B.: Avec le générateur en fonction en modalité "chauffage", avant de passer à la modalité "ventilation", suivre une correcte séquence d'éteignement pour les modèles manuels [Parag. "9. ARRÊT POUR LES MODÈLES MANUELS (... / ...M / ...DV / ...M DV)"].

►► 7. ALLUMAGE POUR LES MODELES ELECTRONIQUES (...E / ...ET)

► 7.1. Portez l'interrupteur "O/I" en position "I" (Fig. 15).

► 7.2. Appuyez le bouton "RESET" (Fig. 20).

Le générateur commence la séquence d'analyse et après 20÷30 s environ la flamme s'allume (voir schéma de fonctionnement Fig. 21).

Dans le cas d'interruption de l'énergie électrique ou pour un manque de gaz, l'appareil va s'éteindre. Le redémarrage du générateur n'est pas automatique, mais doit être effectué manuellement, en

appuyant sur le bouton "RESET" (Fig. 20). Si l'appareil ne démarre, consultez le paragraphe de référence (Parag. "13. RESOLUTION DES PROBLEMES").

ATTENTION: Au cas où le générateur s'arrête à cause de l'intervention du thermostat d'ambiance (article optionnel), le redémarrage de l'appareil se passe automatiquement, quand la température va au dessous du niveau choisi.

►► 8. REGULATION DE LA PUISSANCE THERMIQUE

Selon le type de générateur, on peut régler la puissance thermique de l'appareil. La puissance thermique peut être réglée en utilisant la poignée sur la base du générateur (Fig. 22), ou du régulateur de pression installé sur la bouteille de gaz, selon le modèle.

►► 9. ARRÊT DES MODELES MANUELS (... / ...M / ...DV / ...M DV)

- 9.1. Fermer la bouteille de gaz (Fig. 24).
- 9.2. Laisser fonctionner le ventilateur pendant environ 60 s, afin d'éviter des dommages internes à cause du surchauffe (refroidissement intérieur du générateur).
- 9.3. Porter l'interrupteur "O/I" en position "O" (Fig. 25).
- 9.4. Déconnecter le générateur du réseau électrique (Fig. 26).
- 9.5. Déconnecter le générateur du tuyau d'alimentation du gaz (Fig. 27-28-29).

►► 10. ARRÊT POUR MODELES ELECTRONIQUES (...E / ...ET)

► 10.1. Porter l'interrupteur "O/I" en position "O" (Fig. 25). La flamme s'éteint et le générateur effectue la phase de post-ventilation. Attendre le complètement du cycle, afin d'éviter des dommages internes à cause du surchauffe (cette phase est automatique et peut durer 50 s÷5 min selon la température interne/extérieure au générateur).

► 10.2. Fermez la bouteille de gaz (Fig. 24).
► 10.3. Déconnecter le générateur du réseau électrique (Fig. 26).

► 10.4. Déconnecter le générateur du tuyau d'alimentation du gaz (Fig. 27-28-29).

N.B.: Éviter de déconnecter le générateur du réseau électrique, avant la fin de la phase de post-ventilation, afin d'éviter des dommages internes pour surchauffe.

►► 11. NETTOYAGE ET ENTRETIEN

Au moins une fois par an/ou selon chaque exigence, faire vérifier par l'assistance technique le fonctionnement correct du générateur. Avant de le stocker après utilisation, l'appareil doit être nettoyé.

► 11.1. Avant de commencer quelconque type de travail de manutention, entretien et réparation de l'appareil, suivre la procédure d'éteignement [Parag. "9. ARRÊT POUR LES MODELES MANUELS (... / ...M / ...DV / ...M DV)" ou "10. ARRÊT POUR LES MODELES ELECTRONIQUES (...E / ...ET)"].

► 11.2. Le nettoyage concerne exclusivement la prise d'air (coté postérieur) du générateur.

► 11.3. Lorsque l'appareil est utilisé de nouveau, veuillez contrôler que le tuyau du gaz et le câble d'alimentation soient intègre; si vous avez de doutes sur leur intégrité, demandez l'intervention de l'assistance technique.

► 11.4. Ne pas exécuter des interventions non autorisés.

►► 12. RACCORDEMENT DU THERMOSTAT D'AMBIANCE (...E / ...ET) (optionnel)

Enlever le bouchon connecté à l'appareil et connecter le thermostat d'ambiance (optionnel) (Fig. 30).

Voir le schéma électrique (...E / ...ET).

►► 13. RESOLUTIONS DES PROBLEMES DE FONCTIONNEMENT

ANOMALIES DE FONCTIONNEMENTM ...DV ...M DV	...E ...ET	CAUSES	REMEDES
Le moteur ne démarre pas	X	X	Manque de tension	1°Vérifier le réseau 2°Assistance technique
	X	X	Tuyau d'alimentation défectueux/ endommagé	Assistance technique
	X	X	Moteur en panne	Assistance technique
		X	Mauvaise connexion du thermostat d'ambiance	Connecter correctement le thermostat d'ambiance
La flamme ne s'allume pas	X	X	Bouteille de gaz épuisée	Remplacer la bouteille de gaz (Parag. 4)
	X	X	Soupape de sécurité du détendeur bloquée	1°Appuyer sur le touche de déblocage du gaz sur le détendeur (Fig. 8) 2°Assistance technique
	X	X	Le robinet de la bouteille de gaz est fermé	Ouvrir le robinet de la bouteille de gaz (Fig. 7)
	X	X	Circuit d'allumage défectueux	Assistance technique
		X	Messa a terra non efficace	Vérifiez que la mise à terre de votre connexion est correcte
La flamme ne reste pas allumée	X		Le bouchon du gaz n'est pas touché longtemps	Appuyez sur le bouton du gaz plus longtemps (Parag. 6.1.4.)
	X	X	Générateur défectueux	Assistance technique
La flamme s'éteint pendant le fonctionnement	X	X	Alimentation du gaz insuffisante	1°Remplacer la bouteille de gaz (Parag. 4) 2°Assistance technique
	X	X	Manque de gazéification du combustible	Utiliser les bouteilles de gaz de capacité adéquate (Parag. 4)
	X	X	Surchauffe de l'appareil	1°Nettoyer la prise d'air (coté postérieur) 2°Assistance technique
	X	X	Générateur défectueux	Assistance technique

OVERZICHT PARAGRAFEN

1...	BESCHRIJVING
2...	WAARSCHUWINGEN
3...	TYPE BRANDSTOF
4...	AANSLUITING EN VERVANGING VAN DE GASFLES
5...	AANSLUITING OP HET ELEKTRISCHE NET
6...	INSCHAKELING BIJ DE MANUELE MODELLEN (... / ...M / ...DV / ...M DV)
7...	INSCHAKELING BIJ DE ELEKTRONISCHE MODELLEN (...E / ...ET)
8...	AFSTELLING THERMISCH VERMOGEN
9...	UITSCHAKELING BIJ DE MANUELE MODELLEN (... / ...M / ...DV / ...M DV)
10...	UITSCHAKELING BIJ DE ELEKTRONISCHE MODELLEN (...E / ...ET)
11...	SCHOONMAAK EN ONDERHOUD
12...	AANSLUITING OMGEVINGSTHERMOSTAAT (...E / ...ET)
13...	WERKINGSPROBLEMEN, OORZAKEN EN OPLOSSINGEN

BELANGRIJK: DEZE WERKHANDLEIDING EERST LEZEN EN BEGRIJPEN VOORALEER DE ASSEMBLAGE, DE INWERKINGSTELLING OF HET ONDERHOUD VAN DEZE GENERATOR UIT TE VOEREN. VERKEERD GEBRUIK VAN DE GENERATOR KAN ERNSTIGE LETSELS VEROORZAKEN. BEWAAR DEZE HANDLEIDING VOOR RAADPLEGING IN DE TOEKOMST.

►► 1. BESCHRIJVING

Deze generator is een draagbare luchtverwarmer die op vloeibaar gas werkt, gekenmerkt door volledige benutting van de brandstof door middel van thermische uitwisseling door rechtstreekse vermenging tussen aangezogen lucht en de verbrandingsproducten. Het toestel is voorzien van een praktische handgreep om het transport en de verplaatsing te vergemakkelijken. Het toestel werd gebouwd conform met de norm EN 1596.

►► 2. WAARSCHUWINGEN

►⚠ **BELANGRIJK:** Niet gebruiken voor verwarming van bewoonbare zones van woongebouwen; voor gebruik in openbare gebouwen moet men de nationale reglementen raadplegen.

►⚠ **BELANGRIJK:** Dit toestel is niet geschikt om gebruikt te worden door personen (kinderen inbegrepen) met beperkte fysieke, sensorische en

mentale capaciteiten, of zonder ervaring, tenminste als ze niet onder toezicht staan van een persoon die verantwoordelijk is voor hun veiligheid. Men moet erop toezien dat kinderen niet met het toestel spelen. Houd dieren op veilige afstand van het toestel.

►⚠ **BELANGRIJK:** Oneigenlijk gebruik van deze generator kan schade veroorzaken of een gevaar betekenen voor het leven van personen, letsels en brandwonden veroorzaken, en ontploffingen, elektrische schokken of vergiftiging. De eerste symptomen van koolmonoxidevergiftiging lijken op die van griep, met hoofdpijn, duizeligheid en/of braken. Dergelijke symptomen kunnen veroorzaakt worden door een slechte werking van de generator. **ALS DEZE SYMPTOMEN ZICH ZOUDEN VOORDOEN, MOET MEN ONMIDDELLIJK NAAR BUITEN GAAN** en de generator laten repareren door de technische dienst.

► **⚠ BELANGRIJK: Alle werkzaamheden voor schoonmaak, onderhoud en reparatie die de toegang voorzien tot gevaarlijke onderdelen (zoals het vervangen van een beschadigde voedingskabel) moeten door de constructeur, door zijn technische dienst, of door een persoon met gelijkaardige kwalificatie worden uitgevoerd om elk risico te voorkomen, zelfs als voorzien werd om van het voedingsnet los te koppelen.**

► **2.1.** Voor een correct gebruik van de generator en voor het bewaren van de brandstof dient men zich aan alle plaatselijke bepalingen en aan de geldende normen te houden.

► **2.2.** De generator heeft een geschikte luchtverversing nodig voor zijn werking. Daarom moet die in openlucht worden gebruikt of in lokalen met een verzekerde, continue luchtverversing. Een goede verluchting is verzekerd wanneer het volume van de kamer berekend is op het thermische vermogen, volgende de formule 1 m^3 voor iedere 100 W vermogen. In geen enkel geval mag het aanbevolen volume van de ruimte minder dan 100 m^3 bedragen. Een goede ventilatie wordt verzekerd door een opening die voldoet aan de formule 25 cm^2 per kW thermisch vermogen, met een minimum van 250 cm^2 , evenredig verdeeld over het bovenste en onderste gedeelte van de ruimte. Voor de installatie gelden de nationale normen die van kracht zijn, met inbegrip van de technische normen en de bepalingen betreffende veiligheid en brandpreventie.

► **2.3.** Het toestel mag enkel als generator van warme lucht worden gebruikt (modus verwarming), of als ventilator (modus ventilatie, voor de modellen die deze functie voorzien). Volg nauwgezet de instructies voor het gebruik.

► **2.4.** De constructeur wijst iedere verantwoordelijkheid af voor schade aan

voorwerpen en/of personen voortvloeiend uit oneigenlijk gebruik van het toestel.

► **2.5.** De generator enkel voeden met het uitdrukkelijk gespecificeerde type brandstof en met stroom doe een spanning en frequentie heeft zoals aangegeven op het label met gegevens dat op de generator is aangebracht.

► **2.6.** Zorg ervoor de generator enkel aan te sluiten op elektrische netten die correct voorzien zijn van een differentiaalschakelaar en met voldoende aarding.

► **2.7.** Gebruik enkel verlengstukken met voldoende doorsnede, met een aardingskabel.

► **2.8.** De generator moet op een vlak, stabiel en brandveilig oppervlak werken, zodat brandgevaar voorkomen wordt.

► **2.9.** Het is absoluut verboden om het toestel in halfondergrondse lokalen of onder de grond te gebruiken.

► **2.10.** De generator mag niet worden gebruikt in lokalen waar explosieve poeders, rookgassen, gassen, brandstoffen, solventen en verf aanwezig zijn.

► **2.11.** Wanneer de generator wordt gebruikt in de buurt van dekzeilen, tenten of gelijkaardig afdek materiaal, is het aanbevolen om extra brandveilige beschermingen te gebruiken. Zorg ervoor om voldoende afstand te behouden, de warme delen van de generator mogen in geen enkel geval minder dan 2,5 m. van brandbare materialen (stoffen, papier, hout, enz.) of warmtegevoelig materiaal (met inbegrip van de voedingskabel) verwijderd zijn.

► **2.12.** Plaats de gasfles op een beschermde plaats achter het toestel (Fig. 1). De generator mag nooit naar de gasfles gericht zijn (Fig. 2).

► **2.13.** Het is uitdrukkelijk verboden om de luchtaanvoer (achterkant) en/of de opening van de luchtuitlaat (voorkant) geheel of gedeeltelijk af te dekken (Fig. 3). Vermijd om een kanalisering van de lucht van/ naar de generator te gebruiken. Verzeker u

ervan dat de spleten voor luchtaanzuiging aan de onderkant van de basis niet worden afgedekt (voor de modellen die deze oplossing toepassen).

► **2.14.** Wanneer de generator niet of moeilijk inschakelt, moet men de speciale sectie raadplegen (Parag. "13. WERKINGSPROBLEMEN, OORZAKEN EN OPLOSSINGEN").

► **2.15.** Wanneer de generator in werking is, mag die nooit worden verplaatst of onderworpen worden aan een onderhoudsinterventie.

► **2.16.** In alle gebruiksomstandigheden of bij het opbergen van het toestel moet men erop letten dat de flexibele gasleiding niet wordt beschadigd (platgedrukt, geplooid, getorst, uitgerokken).

► **2.17.** Indien men een gasgeur waarneemt, moet men direct het toestel uitschakelen, de gasfles sluiten, de stekker uit het stopcontact halen en daarna de technische dienst contacteren.

► **2.18.** Wanneer de gasleiding wordt vervangen, mag men enkel flexibele buizen gebruiken die geschikt zijn voor de werkdruk, conform met de nationale reglementeringen. De gasleiding moet 1,5 m. lang zijn.

► **2.19.** Wanneer het toestel door een omgevingsthermostaat wordt gecontroleerd (optioneel artikel), kan de generator op elk willekeurig moment opnieuw inschakelen, dat betekent wanneer de temperatuur onder de ingestelde drempel daalt.

► **2.20.** Wanneer de generator niet wordt gebruikt, moet men de stekker uit het stopcontact halen, de gastoevoer afsluiten, de gasleiding van de generator loskoppelen en de gasingang op de generator afdichten.

► **2.21.** Laat de technische dienst minstens één keer per jaar en/of naargelang de noodzaak controleren of de generator correct werkt.

►► 3. TYPE BRANDSTOF

Gebruik enkel gas van categorie I₃B/P.

►► 4. AANSLUITING EN VERVANGING VAN DE GASFLES

De gasfles moet in openlucht worden vervangen, ver van warmtebronnen in een omgeving zonder vlammen.

Om de gasfles op de generator aan te sluiten, mag men enkel de volgende accessoires gebruiken:

- Flexibele buis voor vloeibaar gas.
- Drukregelaar voor vloeibaar gas, compleet met veiligheidsklep.

CONTROLEER DE INTEGRITEIT VAN DE LEIDING VOOR GASTOEVOER. WANNEER DEZE VERVANGEN MOET WORDEN, MAG MEN ENKEL EEN FLEXIBELE BUIS GEBRUIKEN, DIE AAN DE WERKDRUK IS Aangepast, CONFORM MET DE NATIONALE REGLEMENTERINGEN.

► Om de generator op de gasfles aan te sluiten:

OPGEPAST: ALLE SCHROEFDRAAD IS LINKSOM DRAAIEND, DIT BETEKEN DAT ZE IN TEGENWIJZERZIN WORDEN VASTGEZET.

► **4.1.** De gasleiding op de koppeling van de generator vastschroeven (Fig. 4).

► **4.2.** De drukregelaar op de gasfles installeren. Controleer of de pakking op de regelaar aanwezig is (als het koppelingstype dit voorziet) (Fig. 5).

► **4.3.** De gasleiding op de drukregelaar aansluiten (Fig. 6).

► **4.4.** De kraan van de gasfles openen (Fig. 7).

► **4.5.** De knop voor deblokkering van de regelaar indrukken (Fig. 8). **Controleer met zeepsop of de koppelingen hermetisch dicht zijn: wanneer er zich belLEN vormen, betekent dit dat er eventueel gaslekken zijn (Fig. 9).** Men kan meerdere gasflessen onderling met elkaar verbinden om een grotere autonomie te bekomen. **Het is aanbevolen om gasflessen van 30 kg te gebruiken tot een thermisch vermogen van 33 kW, boven het vermogen van 33**

kW moet men gasflessen met een grotere capaciteit gebruiken. Het is aanbevolen om gasflessen van voldoende capaciteit te gebruiken, om problemen te vermijden die veroorzaakt worden doordat de brandstof niet vergast. De correcte werkdruk (zie label met gegevens dat op de generator is aangebracht) wordt door de regelaar gegeven die bij de uitrusting is meegeleverd, of door een gelijkaardig model.

►► 5. AANSLUITING OP HET ELEKTRISCHE NET

CONTROLEER OF UW ELEKTRISCHE INSTALLATIE CORRECT GEAARD IS.

Vooraleer de generator op het elektrische net aan te sluiten, moet men controleren of de spanning en de voedingsfrequentie correct zijn (zie label met gegevens dat op de generator is aangebracht). De aansluiting op het elektrische net (Fig. 10) dient te gebeuren conform met de geldende nationale normen.

►► 6. INSCHAKELING BIJ DE MANUELE MODELLEN (... / ...M / ...DV / ...M DV)

BELANGRIJK: Bij de modellen ...DV / ...M DV moet men de positie van de schakelaar voor spanningsomschakeling controleren (220-240V / 110-120V) (Fig. 11). Als de spanning die op het toestel is ingesteld niet overeenkomt met de spanning die door het net wordt geleverd, moet men de spanning gaan aanpassen. Draai de 2 bevestigingsschroeven van de afdekking los (Fig. 12), zet de schakelaar op de aangegeven spanningswaarde (Fig. 13) en hermonteer de afdekking (Fig. 14).

• 6.1. MODUS VERWARMING:

► 6.1.1. Zet de schakelaar "O/I" op de stand "I" (Fig. 15).

► 6.1.2. Druk de gasknop helemaal in en houd die ingedrukt (Fig. 16).

► 6.1.3. Activeer de piëzo-elektrische ontsteking helemaal en herhaaldelijk (Fig. 17) terwijl u de gasknop ingedrukt houdt (Fig. 16).

► 6.1.4. Na ontsteking van de vlam moet men de gasknop nog circa 15 s ingedrukt houden (Fig. 18).

► 6.1.5. Laat de gasknop weer los (Fig. 19). In geval van een elektrische stroomonderbreking of als er geen gas is, zal het toestel uitgaan. De generator start niet automatisch opnieuw op. Dit moet manueel gebeuren door de procedure voor inschakeling te herhalen.

Indien het toestel niet aangaat, moet men de betreffende sectie raadplegen (Parag. "13. WERKINGSPROBLEMEN, OORZAKEN EN OPLOSSINGEN").

• 6.2. MODUS VENTILATIE:

De generator kan ook als ventilator worden gebruikt. Sluit de generator aan op het elektrische net (Fig. 10) en zet de schakelaar "O/I" op de stand "I" (Fig. 15).

N.B.: Als de generator in modus verwarming aan het werk is, moet men de correcte sequentie voor het uitschakelen volgen voor de manuele modellen vooraleer over te gaan naar de modus ventilatie [Parag. "9. UITSCHAKELING BIJ DE MANUELE MODELLEN (... / ...M / ...DV / ...M DV)"].

►► 7. INSCHAKELING BIJ DE ELEKTRONISCHE MODELLEN (...E / ...ET)

► 7.1. Zet de schakelaar "O/I" op de stand "I" (Fig. 15).

► 7.2. Druk op de "RESET" knop (Fig. 20). De generator begint de sequentie voor analyse en na circa 20÷30 s gaat de vlam aan (zie werkingsschema Fig. 21).

In geval van een elektrische stroomonderbreking of als er geen gas is, zal het toestel uitgaan. De generator start niet automatisch opnieuw op. Dit moet manueel gebeuren door de "RESET" knop in te drukken (Fig. 20).

Indien het toestel niet aangaat, moet men de betreffende sectie raadplegen (Parag. "13. WERKINGSPROBLEMEN, OORZAKEN EN OPLOSSINGEN").

OPGEPAST: Wanneer de generator stilvalt door interventie van de omgevingsthermostaat (optioneel artikel), gebeurt de heropstart van het toestel automatisch wanneer de temperatuur onder de ingestelde drempel daalt.

►► 8. AFSTELLING THERMISCH VERMOGEN

Naargelang het type generator kan men het thermische vermogen van het toestel regelen. Het thermische vermogen kan worden geregeld aan de hand van de draaiknop op de basis van de generator (Fig. 22), of op de drukregelaar die op de gasflus is geïnstalleerd (Fig. 23), naargelang het model.

►► 9. UITSCHAKELING BIJ DE MANUELE MODELLEN (... / ...M / ...DV / ...M DV)

► 9.1. Sluit de gasflus (Fig. 24).

► 9.2. Laat de ventilator gedurende circa 60 s werken, om interne schade wegens oververhitting te vermijden (interne koeling van de generator).

► 9.3. Zet de schakelaar "O/I" op de stand "O" (Fig. 25).

► 9.4. Koppel de generator los van het elektrische net (Fig. 26).

► 9.5. Koppel de generator los van de gastoevoerleiding (Fig. 27-28-29).

►► 10. UITSCHAKELING BIJ DE ELEKTRONISCHE MODELLEN (...E / ...ET)

► 10.1. Zet de schakelaar "O/I" op de stand "O" (Fig. 25). De vlam gaat uit en de generator voert de fase post-ventilatie uit. Wacht tot de cyclus voltooid is, om interne schade wegens oververhitting te vermijden (de fase gebeurt automatisch en kan van

50 s ± 5 min duren naargelang de interne/ externe temperatuur van de generator).

► 10.2. Sluit de gasflus (Fig. 24).

► 10.3. Koppel de generator los van het elektrische net (Fig. 26).

► 10.4. Koppel de generator los van de gastoevoerleiding (Fig. 27-28-29).

N.B.: Vermijd om de generator van het elektrische net los te koppelen vóór het einde van de fase post ventilatie, om interne schade wegens oververhitting te vermijden.

►► 11. SCHOONMAAK EN ONDERHOUD

Laat de technische dienst minstens één keer per jaar en/of naargelang de noodzaak controleren of de generator correct werkt. Vooraleer het toestel weer in gebruik te stellen, moet het worden schoongemaakt.

► 11.1. Vooraleer werkzaamheden voor onderhoud, schoonmaak en reparatie op het toestel te beginnen, moet men de sequentie voor uitschakeling volgen [Parag. "9. UITSCHAKELING BIJ DE MANUELE MODELLEN (... / ...M / ...DV / ...M DV)" of "10. UITSCHAKELING BIJ DE ELEKTRONISCHE MODELLEN (...E / ...ET)"].

► 11.2. De schoonmaak betreft enkel de luchtaanvoer (achterkant) van de generator.

► 11.3. Wanneer het toestel opnieuw wordt gebruikt, moet men de staat van integriteit van de gasleiding en van de voedingskabel controleren; indien u twijfels hebt over hun integriteit, dient u de technische dienst om een interventie te vragen.

► 11.4. Voer geen interventies uit die niet toegelaten zijn.

►► 12. AANSLUITING OMGEVINGSTHERMOSTAAT (...E / ...ET) (optioneel)

Verwijder de dop die op het toestel is aangesloten en verbind de omgevingsthermostaat (optioneel) (Fig. 30). Zie elektrisch schema (...E / ...ET).

►► 13. WERKINGSPROBLEMEN, OORZAKEN EN OPLOSSINGEN

WERKINGS- PROBLEMENM ...DV ...M DV	...E ...ET	OORZAKEN	OPLOSSINGEN
De motor start niet	X	X	Geen spanning	1°Controleer de netinstallatie 2°Technische dienst
	X	X	Voedingskabel defect/beschadigd	Technische dienst
	X	X	Motor defect	Technische dienst
		X	Foutieve aansluiting van de omgevings-thermostaat	Sluit de omgevingsthermostaat correct aan
De vlam gaat niet aan	X	X	Gasfles is op	Vervang de gasfles (Parag. 4)
	X	X	Veiligheidsklep van de regelaar geblokkeerd	1°Druk op de knop voor deblokkering gas van de regelaar (Fig. 8) 2°Technische dienst
	X	X	Kraan van de gasfles gesloten	Open de kraan van de gasfles (Fig. 7)
	X	X	Circuit voor inschakeling defect	Technische dienst
		X	Aarding niet efficiënt	Controleer of uw installatie een correcte aarding heeft
De vlam blijft niet aan	X		Gasknop niet lang genoeg ingedrukt	Druk de gasknop langer in (Parag. 6.1.4.)
	X	X	Generator defect	Technische dienst
De vlam gaat tijdens de werking uit	X	X	Onvoldoende gastoevoer	1°Vervang de gasfles (Parag. 4) 2°Technische dienst
	X	X	Geen vergassing van de brandstof	Gebruik gasflessen met voldoende capaciteit (Parag. 4)
	X	X	Oververhitting van het toestel	1°Maak de luchtaanvoer schoon (achterkant) 2°Technische dienst
	X	X	Generator defect	Technische dienst

SUMÁRIO PARÁGRAFOS

1...	<i>DESCRIÇÃO</i>
2...	<i>ADVERTÊNCIAS</i>
3...	<i>TIPO DE COMBUSTÍVEL</i>
4...	<i>LIGAÇÃO E SUBSTITUIÇÃO DA BOTIJA DE GÁS</i>
5...	<i>LIGAÇÃO À REDE ELÉTRICA</i>
6...	<i>ACENDIMENTO PARA OS MODELOS MANUAIS (... / ...M / ...DV / ...M DV)</i>
7...	<i>ACENDIMENTO PARA OS MODELOS ELETRÓNICOS (...E / ...ET)</i>
8...	<i>REGULAÇÃO DA POTÊNCIA TÉRMICA</i>
9...	<i>DESCONEXÃO PARA OS MODELOS MANUAIS (... / ...M / ...DV / ...M DV)</i>
10...	<i>DESCONEXÃO PARA OS MODELOS ELETRÓNICOS (...E / ...ET)</i>
11...	<i>LIMPEZA E MANUTENÇÃO</i>
12...	<i>LIGAÇÃO TERMÓSTATO AMBIENTE (...E / ...ET)</i>
13...	<i>ANOMALIAS DE FUNCIONAMENTO, CAUSAS E SOLUÇÕES</i>

IMPORTANTE: É NECESSÁRIO LER E COMPREENDER ESTE MANUAL OPERATIVO ANTES DE EFETUAR A MONTAGEM, A ATIVAÇÃO OU A MANUTENÇÃO DESTA GERADOR. O USO ERRADO DO GERADOR PODE CAUSAR LESÕES GRAVES. CONSERVAR ESTE MANUAL PARA FUTURAS CONSULTAS.

▶▶ 1. DESCRIÇÃO

Este gerador é um aquecedor de ar portátil que funciona com gás líquido, caracterizado pelo aproveitamento total do combustível, através de permuta térmica, para a mistura direta entre o ar aspirado e os produtos da combustão. É dotado de um prático puxador para facilitar o transporte e a movimentação. O aparelho é realizado segundo a Norma EN 1596.

▶▶ 2. ADVERTÊNCIAS

▶⚠ **IMPORTANTE:** Não utilizar para o aquecimento de áreas habitáveis de edifícios residenciais; para o uso em edifícios públicos, referir-se às regulamentações nacionais.

▶⚠ **IMPORTANTE:** Este aparelho não é adequado para o uso de pessoas (inclusive crianças) com capacidades físicas, sensoriais e mentais reduzidas,

ou inexperientes, a menos que sejam supervisionadas por uma pessoa responsável pela segurança destas mesmas pessoas. As crianças devem ser controladas para que não brinquem com o aparelho. Manter os animais à distância de segurança do aparelho.

▶⚠ **IMPORTANTE:** O uso impróprio deste gerador pode provocar danos ou perigos de vida, lesões, queimaduras, explosões, choques elétricos ou envenenamento. Os primeiros sintomas de asfixia por monóxido de carbono assemelham-se aos da gripe, com cefaleias, tonturas e ou náusea. Tais sintomas podem ser causados pelo funcionamento defeituoso do gerador. **CASO SURJAM TAIS SINTOMAS, SAIR IMEDIATAMENTE AO AR LIVRE E SOLICITAR À ASSISTÊNCIA TÉCNICA O CONserto DO GERADOR.**

▶ **⚠️ IMPORTANTE:** Todas as operações de limpeza, manutenção e conserto que preveem o acesso às partes perigosas (como a substituição do cabo de alimentação danificado) devem ser efetuadas pelo construtor, pelo serviço de assistência técnica do mesmo ou por pessoas com semelhante qualificação para evitar riscos, mesmo se for prevista a desconexão da rede de alimentação.

▶ **2.1.** Para o uso correto do gerador e para a conservação do combustível, seguir todas as ordenanças locais e a normativa em vigor.

▶ **2.2.** O gerador necessita de adequada troca de ar para o próprio funcionamento. Portanto, deve ser utilizado ao ar livre ou em ambientes com troca garantida e contínua de ar. A boa ventilação é garantida quando o volume do ambiente for calculado na potência térmica, com a fórmula de 1 m^3 para cada 100 W de potência. De modo algum, o volume aconselhado para o ambiente deve ser inferior a 100 m^3 . A boa ventilação é garantida por uma abertura que satisfaça a fórmula de 25 cm^2 para kW de potência térmica, com mínimo de 250 cm^2 , dividido igualmente entre a parte superior e inferior do ambiente. Para a instalação, valem as normas nacionais em vigor, inclusive as normas técnicas e as disposições sobre a prevenção de acidentes e incêndios.

▶ **2.3.** O aparelho deve ser utilizado somente como gerador de ar quente (modalidade aquecimento) ou ventilador (modalidade ventilação para os modelos que preveem esta funcionalidade). Para o uso, seguir escrupulosamente as presentes instruções.

▶ **2.4.** O construtor não é responsável por danos a objetos e ou pessoas decorrentes do uso impróprio do aparelho.

▶ **2.5.** Alimentar o gerador somente com o tipo de combustível expressamente especificado e com corrente de tensão e frequência indicadas na placa de dados aplicada no gerador.

▶ **2.6.** Conectar o gerador somente em redes elétricas devidamente dotadas de interruptor diferencial e adequada instalação à terra.

▶ **2.7.** Utilizar somente extensões com secção adequada, com fio terra.

▶ **2.8.** O gerador deve funcionar em uma superfície nivelada, estável e ignífuga para evitar riscos de incêndio.

▶ **2.9.** É absolutamente proibido utilizar o aparelho em caves ou embaixo do nível do solo.

▶ **2.10.** O gerador não deve ser utilizado em locais onde haja pó explosivo, fumos, gás combustíveis, solventes e tintas.

▶ **2.11.** Se o gerador for utilizado nas proximidades de estrados, cortinas ou materiais semelhantes de cobertura, aconselha-se usar proteção adicional de tipo ignífugo. É necessário manter distância adequada que, de modo algum, deve ser inferior a $2,5 \text{ m}$ de materiais inflamáveis (tecido, papel, madeira, etc) ou termoláveis (incluindo o cabo de alimentação) das partes quentes do gerador.

▶ **2.12.** Posicionar a botija de gás em posição protegida, atrás do aparelho (Fig. 1). O gerador nunca deve ser dirigido para a botija de gás (Fig. 2).

▶ **2.13.** É proibido obstruir completa ou parcialmente a tomada de ar (lado posterior) e ou bocal de saída do ar presente no lado anterior (Fig. 3). Evitar o uso de qualquer tipo de canalização de ar do ou para o gerador. Verificar se foram obstruídas as saídas de aspiração de ar que se encontram no fundo da base (para os modelos que possuem esta solução).

▶ **2.14.** Em caso de falta de acendimento ou acendimento anômalo do gerador, consultar a respectiva secção (Par. “13. *ANOMALIAS DE FUNCIONAMENTO, CAUSAS E SOLUÇÕES*”).

▶ **2.15.** Quando estiver em função, o gerador nunca deve ser deslocado, manuseado e nem sujeito a operações de manutenção.

pt ▶ **2.16.** Em qualquer condição de uso ou estacionamento do aparelho, prestar atenção para que o tubo do gás flexível não seja danificado (esmagado, dobrado, entortado ou esticado).

▶ **2.17.** Ao sentir odor de gás, desligar imediatamente o aparelho, fechar a botija de gás, destacar a ficha da rede e, a seguir, contactar a assistência técnica.

▶ **2.18.** Em caso de substituição do tubo de gás, utilizar somente tubos flexíveis, adequados para a pressão de uso, e referir-se às regulamentações nacionais. O tubo de gás deve possuir comprimento de 1,5 m.

▶ **2.19.** Quando o aparelho for controlado por um termóstato ambiente (artigo opcional), o gerador pode ativar-se em qualquer momento, ou seja, quando a temperatura for inferior ao limite configurado.

▶ **2.20.** Quando não for utilizado, desconectar o gerador da ficha da rede elétrica, fechar a alimentação de gás, desconectar o tubo de gás do gerador e tampar a entrada de gás no gerador.

▶ **2.21.** Solicitar à assistência técnica a verificação do correto funcionamento do gerador pelo menos uma vez por ano e ou segundo a própria exigência.

▶▶ **3. TIPO DE COMBUSTÍVEL**

Utilizar somente gás da categoria I₃B/P.

▶▶ **4. LIGAÇÃO E SUBSTITUIÇÃO DA BOTIJA DE GÁS**

A botija de gás deve ser substituída ao ar livre, longe de fontes de calor, em atmosfera sem chamas.

Para a conexão da botija de gás ao gerador, devem ser utilizados somente os seguintes acessórios:

- Tubo flexível para gás líquido.

- Regulador de pressão para gás líquido com válvula de segurança.

VERIFICAR A INTEGRIDADE DO TUBO DE GÁS DE ALIMENTAÇÃO. SE FOR NECESSÁRIO SUBSTITUIR, UTILIZAR SOMENTE TUBOS DE TIPO FLEXÍVEL, ADEQUADOS À PRESSÃO DE USO, E REFERIR-SE ÀS REGULAMENTAÇÕES NACIONAIS.

▶ Para conectar o gerador à botija de gás: **ATENÇÃO: TODAS AS ROSCAGENS DEVEM SER SINISTRORSAS, OU SEJA, APERTADAS EM SENTIDO ANTI-HORÁRIO.**

▶ **4.1.** Apertar o tubo de gás à ligação do gerador (Fig. 4).

▶ **4.2.** Instalar o regulador de pressão na botija de gás. Verificar se o regulador possui guarnição, se o tipo de engate solicitar (Fig. 5).

▶ **4.3.** Ligar o tubo de gás ao regulador de pressão (Fig. 6).

▶ **4.4.** Abrir a torneira da botija de gás (Fig. 7).

▶ **4.5.** Pressionar o botão de desbloqueio do regulador (Fig. 8). **Verificar a estanquicidade das ligações com água e sabão: se aparecer bolhas, indica eventuais vazamentos de gás (Fig. 9).** É possível ligar mais botijas de gás entre si para obter maior autonomia. **Aconselha-se utilizar botijas de gás de 30 kg para potência térmica de 33 kW; para potência superior a 33 kW utilizar botijas de gás com capacidades superiores.**

Aconselha-se utilizar botijas de gás com capacidade adequada para evitar problemas devidos à falta de gasificação do combustível. A correta pressão de funcionamento (ver placa de dados aplicada no gerador) é dada pelo regulador fornecido de série ou por modelo semelhante.

▶▶ 5. LIGAÇÃO À REDE ELÉTRICA

VERIFICAR A CORRETA INSTALAÇÃO À TERRA DE SUA INSTALAÇÃO ELÉTRICA.

Antes de conectar o gerador à rede elétrica verificar se a tensão e a frequência de alimentação estão corretas (ver placa de dados afixada no gerador). A ligação à rede elétrica (Fig. 10) deve ser feita de acordo com as normas nacionais em vigor.

▶▶ 6. ACENDIMENTO PARA OS MODELOS MANUAIS (... / ...M / ...DV / ...M DV)

IMPORTANTE: Para os modelos ...DV / ...M DV, controlar o posicionamento do interruptor de troca de tensão (220-240V / 110-120V) (Fig. 11). Se a tensão configurada no aparelho não corresponder à energia fornecida pela rede elétrica, é necessário adequar a tensão. Desaparafusar os parafusos de fixação da tampa (Fig. 12), deslocar o interruptor para o valor de tensão fornecida (Fig. 13) e remontar a tampa (Fig. 14).

● 6.1. MODALIDADE DE AQUECIMENTO:

▶ 6.1.1. Colocar o interruptor “O/I” em “I” (Fig. 15).

▶ 6.1.2. Pressionar o botão gás até o fim e mantê-lo pressionado (Fig. 16).

▶ 6.1.3. Acionar até o fim e repetidamente o acendedor piezoelétrico (Fig. 17), mantendo pressionado o botão gás (Fig. 16).

▶ 6.1.4. Após o acendimento da chama, manter pressionado o botão gás por 15 seg., aproximadamente (Fig. 18).

▶ 6.1.5. Liberar o botão gás (Fig. 19). Em caso de interrupção de energia elétrica ou por falta de gás, o aparelho desligar-se-á. O reacendimento do gerador não é automático e deve ser feita manualmente, repetindo o procedimento para o acendimento.

Se o aparelho não acender, consultar a respectiva secção (Par. “13. ANOMALIAS DE FUNCIONAMENTO, CAUSAS E SOLUÇÕES”).

● 6.2. MODALIDADE DE VENTILAÇÃO:

O gerador pode ser utilizado também como ventilador. Conectar o gerador à rede elétrica (Fig. 10) e colocar o interruptor “O/I” em posição “I” (Fig. 15).

Nota: Com o gerador funcionando na modalidade aquecimento, antes de passar à modalidade ventilação, efetuar a correta sequência de desconexão para os modelos manuais [Par. “9. DESCONEXÃO PARA OS MODELOS MANUAIS (... / ...M / ...DV / ...M DV)"].

▶▶ 7. ACENDIMENTO PARA OS MODELOS ELETRÔNICOS (...E / ...ET)

▶ 7.1. Colocar o interruptor “O/I” em “I” (Fig. 15).

▶ 7.2. Pressionar o botão de “RESET” (Fig. 20).

O gerador inicia a sequência de análise e após 20÷30 seg., aproximadamente, a chama acende-se (ver esquema de funcionamento, Fig. 21).

Em caso de interrupção de energia elétrica ou por falta de gás, o aparelho desligar-

se-á. O reacendimento do gerador não é automático e deve ser feito manualmente, pressionando o botão “RESET” (Fig. 20). Se o aparelho não acender, consultar a respectiva secção (Par. “13. ANOMALIAS DE FUNCIONAMENTO, CAUSAS E SOLUÇÕES”).

ATENÇÃO: Se o gerador parar devido a intervenção do termóstato ambiente (artigo opcional) o reacendimento do aparelho é feito automaticamente quando a temperatura for inferior ao limiar configurado.

▶▶ 8. REGULAÇÃO DA POTÊNCIA TÉRMICA

De acordo com o tipo de gerador é possível regular a potência térmica do aparelho. A potência térmica pode ser regulada atuando no manípulo situado na base do gerador (Fig. 22) ou no regulador de pressão, instalado na botija de gás (Fig. 23), de acordo com o modelo.

▶▶ 9. DESCONEXÃO PARA OS MODELOS MANUAIS (... / ...M / ...DV / ...M DV)

- ▶ 9.1. Fechar a botija de gás (Fig. 24).
- ▶ 9.2. Deixar funcionar o ventilador por cerca 60 seg. para evitar danos internos devido ao sobreaquecimento (arrefecimento interno do gerador).
- ▶ 9.3. Colocar o interruptor “O/I” em “O” (Fig. 25).
- ▶ 9.4. Desconectar o gerador da rede elétrica (Fig. 26).
- ▶ 9.5. Desconectar o gerador do tubo de alimentação do gás (Fig. 27-28-29).

▶▶ 10. DESCONEXÃO PARA OS MODELOS ELETRÓNICOS (...E / ...ET)

- ▶ 10.1. Colocar o interruptor “O/I” em “O” (Fig. 25). A chama apaga-se e o gerador efetua a fase de pós-ventilação. Aguardar que o ciclo conclua para evitar danos

internos devido ao sobreaquecimento (a fase é automática e pode durar de 50 s÷5 min. segundo a temperatura interna/externa do gerador).

- ▶ 10.2. Fechar a botija de gás (Fig. 24).
- ▶ 10.3. Desconectar o gerador da rede elétrica (Fig. 26).
- ▶ 10.4. Desconectar o gerador do tubo de alimentação do gás (Fig. 27-28-29).

Nota: Evitar a desconexão do gerador da rede elétrica antes do final da fase de pós-ventilação para que não haja danos internos devido ao sobreaquecimento.

▶▶ 11. LIMPEZA E MANUTENÇÃO

Pelo menos uma vez por ano e ou segundo a própria exigência, solicitar à assistência técnica a verificação do correto funcionamento do gerador. Antes de colocá-lo em uso, o aparelho deve ser limpo.

- ▶ 11.1. Antes de iniciar qualquer tipo de trabalho de manutenção, cuidado e conserto no aparelho, efetuar a sequência necessária para o acendimento [Par. “9. DESCONEXÃO PARA MODELOS MANUAIS (... / ...M / ...DV / ...M DV)” ou “10. DESCONEXÃO POR MODELOS ELETRÓNICOS (...E / ...ET)”].
- ▶ 11.2. A limpeza refere-se somente à tomada de ar (lado posterior) do gerador.
- ▶ 11.3. Quando o aparelho for reutilizado, controlar o estado da integridade do tubo de gás e do cabo de alimentação; em caso de dúvidas, solicitar a intervenção da assistência técnica.
- ▶ 11.4. Não efetuar intervenções não autorizadas.

▶▶ 12. LIGAÇÃO TERMÓSTATO AMBIENTE (...E / ...ET) (opcional)

Remover a tampa conectada ao aparelho e ligar o termóstato ambiente (opcional, Fig. 30).

Ver esquema elétrico (...E / ...ET).

►► 13. ANOMALIAS DE FUNCIONAMENTO, CAUSAS E SOLUÇÕES

ANOMALIAS DE FUNCIONAMENTOM ...DV ...M DV	...E ...ET	CAUSAS	SOLUÇÕES
O motor não se aciona	X	X	Ausência de tensão	1º Verificar a instalação de rede 2º Assistência técnica
	X	X	Cabo de alimentação avariado/danificado	Assistência técnica
	X	X	Motor avariado	Assistência técnica
		X	Conexão errada do termóstato ambiente	Conectar corretamente o termóstato ambiente
A chama não se acende	X	X	Botija de gás terminada	Substituir a botija de gás (Par. 4)
	X	X	Válvula de segurança regulador bloqueador	1º Pressionar o botão de desbloqueio do gás do regulador (Fig. 8) 2º Assistência técnica
	X	X	Torneira da botija de gás fechada	Abrir a torneira da botija de gás (Fig. 7)
	X	X	Circuito de acendimento avariado	Assistência técnica
		X	Instalação à terra não eficaz	Verificar a correta instalação à terra do sistema elétrico
A chama não permanece acesa	X		Botão do gás pressionado por um tempo não suficiente	Pressionar o botão de gás por mais tempo (Par. 6.1.4.)
	X	X	Gerador avariado	Assistência técnica
Desconexão da chama durante o funcionamento	X	X	Insuficiente alimentação de gás	1º Substituir a botija de gás (Par. 4) 2º Assistência técnica
	X	X	Ausência de gasificação do combustível	Utilizar botijas de gás com capacidade adequada (Par. 4)
	X	X	Sobreaquecimento do aparelho	1º Limpar a tomada de ar (lado posterior) 2º Assistência técnica
	X	X	Gerador avariado	Assistência técnica

INDHOLDSFORTEGNELSE AFSNIT

1...	BESKRIVELSE
2...	VIGTIGE OPLYSNINGER
3...	BRÆNDSTOF
4...	TILSLUTNING OG UDSKIFTNING AF GASFLASKE
5...	TILSLUTNING TIL EL-NETTET
6...	TÆNDING AF DE MANUELLE MODELLER (... / ...M / ...DV / ...M DV)
7...	TÆNDING AF DE ELEKTRONISKE MODELLER (...E / ...ET)
8...	REGULERING AF VARMEEVNE
9...	SLUKNING AF DE MANUELLE MODELLER (... / ...M / ...DV / ...M DV)
10...	SLUKNING AF DE ELEKTRONISKE MODELLER (...E / ...ET)
11...	RENGØRING OG VEDLIGEHOLDELSE
12...	TILSLUTNING AF RUMTERMOSTAT (...E / ...ET)
13...	FEJLFUNKTIONER, ÅRSAGER OG AFHJÆLPNING

VIGTIGT: INDEN GENERATOREN SAMLES, TAGES I BRUG ELLER VEDLIGEHOLDES, SKAL BRUGERMANUALEN LÆSES OG FORSTÅS. FORKERT BRUG AF GENERATOREN KAN FORÅRSAGE ALVORLIGE KVÆSTELSER. GEM MANUALEN FOR FREMTIDIG REFERENCE.

►► 1. BESKRIVELSE

Denne generator er en flytbar varmeblæser, der fungerer med flydende gas, og er karakteriseret ved fuld brændstofsudnyttelse takket være varmeudveksling ved direkte blanding af den indsugede luft og forbrændingsprodukterne. Den er udstyret med et praktisk håndtag for at lettere transport og flytning. Apparatet er fremstillet i overensstemmelse med Standard DS/EN 1596.

► 2. VIGTIGE OPLYSNINGER

► **⚠ VIGTIGT:** Må ikke anvendes til opvarmning af beboelser; for anvendelse i offentlige bygninger henvises til de nationale regler.

► **⚠ VIGTIGT:** Apparatet bør ikke anvendes af personer (inkl. børn) med nedsatte fysiske, sensoriske og

mentale evner eller uerfarne personer, medmindre de bliver overvåget af en person, der er ansvarlig for deres sikkerhed. Børn skal overvåges for at sikre, at de ikke leger med apparatet. Dyr skal holdes på sikker afstand fra apparatet.

► **⚠ VIGTIGT:** Forkert brug af generatoren kan medføre personskader eller livsfare, kvæstelser, forbrændinger, eksplosion, elektrochok eller forgiftning. De første symptomer på kulilteforgiftning minder om symptomerne for influenza med hovedpine svimmelhed og/eller kvalme. Disse symptomer kan skyldes en defekt på generatoren. I TILFÆLDE AF DISSE SYMPTOMER SKAL MAN STRAKS GÅ UDENDØRS og lade generatoren reparere af teknisk assistance.

► **⚠️ VIGTIGT:** Alle rengørings-, vedligeholdelses- og reparationsindgreb, der giver adgang til farlige dele (som udskiftning af et beskadiget strømforsyningskabel), skal udføres af fabrikanten, dennes teknisk assistanceservice eller af en tilsvarende kvalificeret person for at forebygge enhver risiko, selvom strømforsyningen afbrydes.

► **2.1.** For korrekt brug af generatoren og for opbevaring af brændstoffet skal alle lokale forordninger og gældende bestemmelser overholdes.

► **2.2.** Generatoren har behov for passende udluftning for at kunne fungere korrekt. Den bør derfor anvendes i fri luft eller i lokaler, hvor der er sikret kontinuerlig udluftning. God udluftning er sikret, når rummet har en volumen, der i forhold til varmeeffekten udregnes med formlen 1 m^3 for hver 100 W effekt. Rummets anbefalede volumen må under ingen omstændigheder være under 100 m^3 . God luftcirkulation sikres af en åbning, der opfylder formlen på 25 cm^2 pr. kW varmeeffekt, med et minimum på 250 cm^2 , ligeligt fordelt mellem rummets øverste og nederste del. Installationen skal ske i overensstemmelse med gældende lokale love og tekniske bestemmelser og forebyggende sikkerheds- og brandforskrifter.

► **2.3.** Apparatet må kun anvendes som varmluftsgenerator (opvarmningsmodus) eller som ventilator (ventilatormodus, for modeller med denne funktion). Nærværende instruktioner skal overholdes omhyggeligt under anvendelsen.

► **2.4.** Fabrikanten fralægger sig ethvert ansvar for skader på genstande og/eller personer som følge af forkert anvendelse af apparatet.

► **2.5.** Der må udelukkende anvendes den angivne type brændstof og strøm med samme spænding og frekvens, som angivet på generatorens typeskilt.

► **2.6.** Det skal sikres, at generatoren kun tilsluttes el-net, der er udstyret med passende afbryder og passende jordforbindelse.

► **2.7.** Der må kun anvendes forlængerledninger med passende tværsnit og med jord.

► **2.8.** Generatoren skal anvendes på en nivelleret, stabil og brandsikker overflade for at undgå brandfare.

► **2.9.** Det er yderst forbudt at bruge apparatet i kældre eller under jordniveau.

► **2.10.** Generatoren må ikke anvendes i lokaler, hvor der findes eksplosivt støv, røg, gas, brændstof, opløsningsmidler eller maling.

► **2.11.** Hvis generatoren anvendes i nærheden af presenninger, telte eller lignende dækmaterialer, anbefales det at bruge yderligere brandhæmmende beskyttelse. Man skal sørge for at holde passende afstand, der i ingen tilfælde må være under 2,5 m, til brandbare (stof, papir, træ osv.) eller termolabile materialer (inklusive strømforsyningskablet) fra generatorens varme dele.

► **2.12.** Gasflasken skal placeres beskyttet bag apparatet (Fig. 1). Generatoren må aldrig vendes mod gasflasken (Fig. 2).

► **2.13.** Det er under ingen omstændigheder tilladt at blokere luftindtaget (bagside) og/eller luftudledningsåbningen (forsiden) helt eller delvist (Fig. 3). Undgå at anvende nogen form for luftkanalisering til/fra generatoren. Det skal sikres, at luftindtagsåbningerne på bunden af basen (for modeller med denne løsning) ikke blokeres.

► **2.14.** I tilfælde af manglende eller uregelmæssig tænding af generatoren

henvises til den særlige sektion (Afsnit "13. FEJLFUNKTIONER, ÅRSAGER OG AFHJÆLPNING").

► **2.15.** Generatoren må aldrig flyttes, håndteres eller vedligeholdes på nogen måde, når den er tændt.

► **2.16.** Både under brug og opbevaring skal man være opmærksom på, at gasflexslangen ikke bliver beskadiget (mases, bøjes, snos, spændes).

da ► **2.17.** Hvis man lugter gas, skal apparatet straks slukkes, gasflasken lukkes, stikket tages ud af kontakten, hvorefter teknisk assistance kontaktes.

► **2.18.** Hvis gaslangens skal udskiftes, må det kun ske med flexslanger, der passer til driftstrykket og i overensstemmelse med de lokale regler. Gaslangens skal være 1,5 m lang.

► **2.19.** Når apparatet styres af en rumtermostat (ekstraudstyr), kan generatoren tænde i et hvilket som helst øjeblik, når temperaturen kommer under det indstillede niveau.

► **2.20.** Når generatoren ikke anvendes, skal stikket tages ud, gasflasken lukkes, gaslangens afbrydes fra generatoren, og generatorens gasindtag tillukkes.

► **2.21.** Mindst én gang om året og/eller efter behov bør teknisk assistance kontrollere, at generatoren virker korrekt.

►► 3. BRÆNDSTOF

Der må kun anvendes gas kategori I₃B/P.

►► 4. TILSLUTNING OG UDSKIFTNING AF GASFLASKE

Gasflasken skal udskiftes udendørs, langt fra varmekilder og flammer.

Kun følgende tilbehør må anvendes for tilslutning af gasflasken til generatoren:

- Flexslange til flydende gas.
- Trykregulator til flydende gas med sikkerhedsventil.

KONTROLLER AT GASFORSYNINGSSLANGEN ER INTAKT. SKULLE DET VÆRE NØDVENDIGT AT UDSKIFTE DEN, MÅ DET KUN SKE MED EN FLEXSLANGE, DER PASSER TIL DRIFTSTRYKKET, OG I OVERENSSTEMMELSE MED DE LOKALE REGLER.

► Tilslutning af generatoren til gasflasken:
ADVARSEL: ALLE GEVIND ER VENSTREGEVIND, DVS. AT DE STRAMMES VED AT DREJE MOD URET.

► **4.1.** Skru gaslangens på generatorens samling (Fig. 4).

► **4.2.** Installer trykregulatoren på gasflasken. Det skal sikres, at der er en pakning på regulatoren (hvis tilkoblingen kræver dette) (Fig. 5).

► **4.3.** Tilslut gaslangens til trykregulatoren (Fig. 6).

► **4.4.** Åbn gasflaskens hane (Fig. 7).

► **4.5.** Tryk på knappen, der frigør regulatoren (Fig. 8). **Kontroller at samlingerne er tætte ved hjælp af sæbevand: eventuelle bobler er tegn på gasudslip (Fig. 9).** Det er muligt at forbinde flere gasflasker for at opnå større driftskapacitet. **Det anbefales at anvende gasflasker på 30 kg op til varmeeffekt på 33 kW, over effekt på 33 kW anvendes gasflasker med større kapacitet.** Det er vigtigt at anvende gasflasker med passende kapacitet for at undgå problemer, der skyldes manglende forgasning af brændstoffet. Det rette driftstryk (se generatorens typeskilt) gives af den medleverede regulator eller tilsvarende model.

►► 5. TILSLUTNING TIL EL-NETTET

KONTROLLER AT DERES EL-ANLÆG HAR KORREKT JORDFORBINDELSE.

Inden generatoren tilsluttes el-nettet, skal det sikres, at forsyningsspændingen og frekvensen er korrekt (se generatorens typeskilt). Tilslutningen til el-nettet (Fig. 10) skal ske i overensstemmelse med gældende, lokale regler.

►► 6. TÆNDING AF DE MANUELLE MODELLER (... / ...M / ...DV / ...M DV)

VIGTIGT: For modellerne ...DV / ...M DV skal spændingsvælgerens placering kontrolleres (220-240V / 110-120V) (Fig. 11). Hvis den spænding, der er indstillet på apparatet, ikke svarer til den, der leveres af nettet, skal spændingen tilpasses. Skru de 2 skruer på låget (Fig. 12) ud, indstil vælgeren så den svarer til den spænding, der leveres (Fig. 13), og sæt låget fast igen (Fig. 14).

• 6.1. OPVARMNINGSMODUS:

► 6.1.1. Sæt "O/I" afbryderen på "I" (Fig. 15).

► 6.1.2. Tryk gasknappen ned og hold den inde (Fig. 16).

► 6.1.3. Tryk piezotænderen i bund gentagne gange (Fig. 17), mens gasknappen holdes inde (Fig. 16).

► 6.1.4. Når flammen er blevet tændt, holdes gasknappen inde i cirka 15 sek. (Fig. 18).

► 6.1.5. Slip gasknappen (Fig. 19).

I tilfælde af strømsvigt, eller hvis der mangler gas, slukker apparatet. Generatoren genstarter ikke automatisk, men skal tændes manuelt ved at gentage tændingsproceduren.

Hvis apparatet ikke tænder, konsulteres den særlige sektion (Afsnit "13. FEJLFUNKTIONER, ÅRSAGER OG AFHJÆLPNING").

• 6.2. VENTILATORMODUS:

Generatoren kan også anvendes som ventilator. Forbind generatoren til el-nettet (Fig. 10) og sæt "O/I" afbryderen på "I" (Fig. 15).

BEMÆRK: Inden der stilles om til ventilatormodus, når generatoren fungerer i opvarmningsmodus, skal de manuelle modeller slukkes ved at udføre den korrekte sekvens [Afsnit "9. SLUKNING AF DE MANUELLE MODELLER (... / ...M / ...DV / ...M DV)"].

►► 7. TÆNDING AF DE ELEKTRONISKE MODELLER (...E / ...ET)

► 7.1. Sæt "O/I" afbryderen på "I" (Fig. 15).

► 7.2. Tryk på "RESET" knappen (Fig. 20).

Generatoren udfører en selvtest, og efter cirka 20÷30 sek. tændes flammen (se funktionsskemaet Fig. 21).

I tilfælde af strømsvigt, eller hvis der mangler gas, slukker apparatet. Generatoren genstarter ikke automatisk, men skal tændes manuelt ved at trykke på "RESET" knappen (Fig. 20).

Hvis apparatet ikke tænder, konsulteres den særlige sektion (Afsnit "13. FEJLFUNKTIONER, ÅRSAGER OG AFHJÆLPNING").

ADVARSEL: Hvis generatoren slukker på grund af rumtermostaten (ekstraudstyr), genstarter den automatisk, når temperaturen kommer under det indstillede niveau.

►► 8. REGULERING AF VARMEEVNE

Afhængigt af generatortypen kan apparatets varmeevne reguleres. Varmeeffekten kan reguleres ved hjælp af knoppen på generatorens base (Fig. 22) eller på trykregulatoren installeret på gasflasken (Fig. 23) afhængigt af modellen.

da ►► 9. SLUKNING AF DE MANUELLE MODELLER (... / ...M / ...DV / ...M DV)

► 9.1. Luk gasflasken (Fig. 24).

► 9.2. Lad ventilatoren køre i cirka 60 sek. for at undgå indvendige beskadigelser på grund af overophedning (indvendig afkøling af generatoren).

► 9.3. Sæt "O/I" afbryderen på "O" (Fig. 25).

► 9.4. Generatoren kobles fra el-nettet (Fig. 26).

► 9.5. Generatoren kobles fra gastilførselsslangen (Fig. 27-28-29).

►► 10. SLUKNING AF DE ELEKTRONISKE MODELLER (...E / ...ET)

► 10.1. Sæt "O/I" afbryderen på "O" (Fig. 25). Flammen går ud, og generatoren starter efter-ventilationsfasen. Vent til denne er færdig for at undgå indvendige beskadigelser på grund af overophedning (fasen er automatisk og kan vare mellem 50 sek. ÷ 5 min. afhængigt af den indvendige/ydre temperatur).

► 10.2. Luk gasflasken (Fig. 24).

► 10.3. Generatoren kobles fra el-nettet (Fig. 26).

► 10.4. Generatoren kobles fra gastilførselsslangen (Fig. 27-28-29).

BEMÆRK: Undgå at koble generatoren fra el-nettet inden efter-ventilationsfasen er slut for at undgå indvendige beskadigelser på grund af overophedning.

►► 11. RENGØRING OG VEDLIGEHOLDELSE

Mindst én gang om året og/eller efter behov bør teknisk assistance kontrollere, at generatoren virker korrekt. Inden den sættes væk efter brug, bør den rengøres.

► 11.1. Slukningssekvensen skal udføres inden nogen form for vedligeholdelse og reparation af apparatet påbegyndes [Afsnit "9. SLUKNING AF DE MANUELLE MODELLER (... / ...M / ...DV / ...MDV)" eller "10. SLUKNING AF DE ELEKTRONISKE MODELLER (...E / ...ET)"].

► 11.2. Rengøringen vedrører kun generatorens luftindtag (bagsiden).

► 11.3. Når apparatet skal bruges igen, kontrolleres, at gasslangen og strømkablet er intakt; hvis De er i tvivl om dette, kontaktes teknisk assistance.

► 11.4. Der må ikke foretages ikke-godkendte indgreb.

►► 12. TILSLUTNING AF RUMTERMOSTAT (...E / ...ET) (ekstraudstyr)

Fjern proppen fra apparatet og tilslut rumtermostaten (ekstraudstyr) (Fig. 30). Se el-diagrammet (...E / ...ET).

►► 13. FEJLFUNKTIONER, ÅRSAGER OG AFHJÆLPNING

FEJLM ...DV ...M DV	...E ...ET	ÅRSAG	AFHJÆLPNING
Motoren starter ikke	X	X	Strømsvigt	1°Kontroller el-systemet 2°Teknisk assistance
	X	X	Defekt/beskadiget strømforsyningskabel	Teknisk assistance
	X	X	Motorfejl	Teknisk assistance
		X	Rumtermostaten er ikke tilsluttet korrekt	Forbind rumtermostaten korrekt
Flammen tændes ikke	X	X	Gasflasken er tom	Udskift gasflasken (Afsnit 4)
	X	X	Regulatorens sikkerhedsventil blokerer	1°Tryk på regulatorens gasudløserknap (Fig. 8) 2°Teknisk assistance
	X	X	Gasflaskens hane er lukket	Åbn gasflaskens hane (Fig. 7)
	X	X	Defekt tændingskredsløb	Teknisk assistance
		X	Ikke-effektiv jordforbindelse	Kontroller at Deres anlæg har korrekt jordforbindelse
Flammen går ud	X		Gasknappen holdes ikke inde i tilstrækkelig lang tid	Hold gasknappen inde i længere tid (Afsnit 6.1.4.)
	X	X	Defekt generator	Teknisk assistance
Flammen går ud under drift	X	X	Utilstrækkelig gastilførsel	1°Udskift gasflasken (Afsnit 4) 2°Teknisk assistance
	X	X	Manglende forgasning af brændstoffet	Anvend gasflasker med passende kapacitet (Afsnit 4)
	X	X	Overophedning af apparatet	1°Rengør luftindtaget (bagside) 2°Teknisk assistance
	X	X	Defekt generator	Teknisk assistance

KAPPALEIDEN SISÄLLYSLUETTELO

1...	KUVAUS
2...	VAROITUKSIA
3...	POLTTOAINETYYPPI
4...	KAASUPULLON LIITÄNTÄ JA VAIHTO
5...	KYTKEMINEN SÄHKÖVERKKOON
6...	MANUAALISTEN MALLIEN KÄYNNISTÄMINEN (... / ...M / ...DV / ...M DV)
7...	ELEKTRONISTEN MALLIEN KÄYNNISTÄMINEN (...E / ...ET)
8...	LÄMPÖTEHON SÄÄTÖ
9...	MANUAALISTEN MALLIEN SAMMUTTAMINEN (... / ...M / ...DV / ...M DV)
10...	ELEKTRONISTEN MALLIEN SAMMUTTAMINEN (...E / ...ET)
11...	PUHDISTUS JA HUOLTO
12...	HUONETERMOSTAATIN LIITÄNTÄ (...E / ...ET)
13...	TOIMINTAHÄIRIÖT, SYYT JA KORJAUSTOIMENPITEET

TÄRKEÄÄ: LUE JA YMMÄRRÄ TÄMÄ KÄYTTÖOPAS ENNEN TÄMÄN GENERAATTORIN KOKOAMISTA, KÄYTTÖÖNOTTOA TAI HUOLTOA. GENERAATTORIN VÄÄRÄ KÄYTTÖ VAI AIHEUTTAA VAKAVIA HENKILÖVAHINKOJA. SÄILYTÄ TÄTÄ KÄYTTÖOHJETTA TULEVAA TARVETTA VARTEN.

►► 1. KUVAUS

Tämä generaattori on kannettava nestekaasulla toimiva ilmanlämmitin, joka hyödyntää polttoaineen lämmönvaihdon kautta imuilman ja palamistuotteiden suoralla sekoituksella. Se on varustettu käytännöllisellä kahvalla, joka tekee sen kuljettamisesta ja liikuttamisesta helppoa. Laite on valmistettu EN 1596 standardin mukaisesti.

►► 2. VAROITUKSIA

►⚠**TÄRKEÄÄ:** Älä käytä kotitalouksien lämmityksessä; julkisissa tiloissa käyttöä varten, viittaa valtakunnallisiin säädöksiin.

►⚠**TÄRKEÄÄ:** Tämä laite ei sovellu fyysisesti tai henkisesti rajoittuneiden henkilöiden käyttöön (lapset mukaan lukien) tai henkilöiden, joilla ei ole käyttöön liittyvää kokemusta, ellei heidän toimintaansa valvo ja opeta

heidän turvallisuudesta vastaavat henkilöt Lapsia on valvottava sen varmistamiseksi, etteivät he leiki laitteella. Pidä eläimiä turvaetäisyydellä laitteesta.

►⚠**TÄRKEÄÄ:** Tämän generaattorin väärä käyttö voi aiheuttaa vahinkoja tai kuolemanvaaran henkilöille, tapaturmia, palovammoja, räjähdyksiä, sähköiskuja tai myrkytyksiä. Ensimmäiset hiilimonoksidimyrkytyksen oireet muistuttavat influenssaa ja siihen kuuluu päänsärkyä, huimausta ja/ tai pahoinvointia. Kyseiset oireet voivat johtua generaattorin viallisesta toiminnasta. JOS NÄITÄ OIREITA ILMENEE, SIIRRY HETI ULKOILMAAN ja anna generaattori korjattavaksi tekniseen huoltokeskukseen.

▶ **⚠TÄRKEÄÄ:** Kaikki puhdistus-, huolto- ja korjaustoimenpiteet, jotka on suoritettava vaarallisissa paikoissa (kuten esimerkiksi vahingoittuneen virtajohdon vaihto) tulee suorittaa valmistajan, hänen teknisen huollon tai samankaltaisen koulutuksen omaavan henkilön puolesta, jotta kaikki riskit voitaisiin ennaltaehkäistä, vaikka virta olisikin kytketty pois päältä.

▶ **2.1.** Generaattorin oikeaa käyttöä ja polttoaineen säilytystä varten noudata paikallisia määräyksiä ja voimassa olevia säädäntöjä.

▶ **2.2.** Generaattori vaatii toimiakseen riittävän ilmanvaihdon. Näin ollen sitä tulee käyttää ulkoilmassa tai huoneissa, joissa jatkuva ilmanvaihto taataan. Hyvä ilmanvaihto taataan kun huoneen tilavuus lasketaan lämpötehon tilavuusyksikkönä, 1 m³ jokaista 100 W tehoa kohti. Missään tapauksessa huoneen suositeltava tilavuus ei saa olla alle 100 m³. Hyvä tuuletus taataan aukolla, joka tyydyttää 25 cm² lämpötehon kW kohti, vähintään 250 cm², huoneen ylä- ja alaosan välille tasaisesti jaettuna. Asennuksessa tulee käyttää voimassa olevia valtiollisia lakeja mukaan lukien tekniset sekä työsuojelulakiin ja paloturvallisuuteen liittyvät asetukset.

▶ **2.3.** Laitetta tulee käyttää yksinomaan kuuman ilman generaattorina (lämmitystapa) tai tuulettimena (tuuletustapa, kyseisellä toiminnolla varustetuissa malleissa). Käyttöä varten noudata huolellisesti kyseisiä ohjeita.

▶ **2.4.** Valmistaja ei vastaa henkilö- ja/tai esinevahingoista, jotka johtuvat laitteen väärästä käytöstä.

▶ **2.5.** Tankkaa generaattoriin vain tarkoituksenmukaisesti määrättyä polttoainetta ja syötä siihen virtaa, jonka jännite ja taajuus vastaa generaattoriin kiinnitettyssä kilvessä annettuja arvoja.

▶ **2.6.** Varmista, että kytket generaattorin vain sähköverkkoihin, jotka on varustettu tarkoituksenmukaisella vikavirtasuojakytkimellä ja sopivalla maadoituksella.

▶ **2.7.** Käytä yksinomaan jatkojohtoja, joiden läpimitta on sopiva ja joihin kuuluu maattojohto.

▶ **2.8.** Generaattoria tulee käyttää tasaisella, vakaalla ja tulenkestävällä pinnalla, jotta tulipalovaaroja voitaisiin ehkäistä.

▶ **2.9.** Laitteen käyttö on ehdottomasti kielletty kellarikerroksissa tai maanpinnan alla.

▶ **2.10.** Generaattoria ei saa käyttää tiloissa, joissa esiintyy räjähtäviä kaasuja, savuja, kaasuja, polttoaineita, liuottimia ja maaleja.

▶ **2.11.** Mikäli generaattoria käytetään pressujen, verhojen tai samankaltaisten materiaalien läheisyydessä, käytä ylimääräisiä tulelta suojaavia suojuksia. Huolehdi, että riittävä etäisyys taataan generaattoreiden kuumista osista. Se ei saa mistään syystä olla alle 2,5 m tulenaroista (kangas, paperi, puu tms.) tai lämmön vaikutuksesta kärsivistä materiaaleista (mukaan lukien virtajohto).

▶ **2.12.** Aseta kaasupullo suojattuun asentoon, laitteen taakse (Kuva 1). Generaattoria ei saa koskaan suunnata kaasupullon suuntaan (Kuva 2).

▶ **2.13.** Ilmanottoaukkoa (takapuoli) ja/tai ilman ulostuloaukkoa (etupuoli) (Kuva 3) ei mistään syystä saa tukkia kokonaan tai osittain. Vältä käyttämästä mitä tahansa generaattorin suuntaavaa tai siitä poistuvaa ilmakeinavaa. Varmista, että jalustan pohjalla olevia imuaukkoja ei tukita (malleissa, joissa käytetään tätä ratkaisua).

► **2.14.** Jos generaattori ei käynnisty tai käynnistyksessä ilmenee häiriöitä, tutustu tarkoituksenmukaiseen osaan (Kappale "13. TOIMINTAHÄIRIÖT, SYYT JA KORJAUSTOIMENPITEET").

► **2.15.** Kun generaattori on käynnissä, sitä ei saa koskaan siirtää, käsitellä eikä huoltaa millään tavoin.

► **2.16.** Missä tahansa laitteen käyttö- tai seisontatilassa varo, ettei kaasuletku pääse vahingoittumaan (litistymään, taittumaan, vääntymään, kiristymään).

► **2.17.** Jos tunnet kaasun hajua sammuta laite välittömästi, sulje kaasupullo, kytke pistoke irti pistorasiasta ja ota yhteyttä tekniseen huoltoon.

► **2.18.** Jos kaasuputki joudutaan vaihtamaan, käytä vain käyttöpaineeseen sopivaa letkua viittaamalla valtakunnallisiin lakeihin. Kaasuputken pituuden tulee olla 1,5 m.

► **2.19.** Kun laitetta valvoo huonetermostaatti (ylimääräinen varuste), generaattori voi käynnistyä milloin tahansa eli kun lämpötila laskee alle asetetun lämpötilarajan.

► **2.20.** Kun sitä ei käytetä, irrota generaattori pistorasiasta, sulje kaasun syöttö, kytke generaattorin kaasuputki irti ja tuki generaattorissa oleva kaasunotto.

► **2.21.** Tarkistuta generaattorin oikea toiminta teknisessä huollossa vähintään kerran vuodessa ja/tai tarpeen mukaan.

►► **3. POLTTOAINETYYPPI**

Käytä vain luokan I₃B/P kaasua.

►► **4. KAASUPULLON LIITÄNTÄ JA VAIHTO**

Kaasupullo tulee vaihtaa ulkoilmassa kaukana lämmönlähteistä ja liekittömässä tilassa.

Kaasupullon liitännässä generaattoriin tulee käyttää vain seuraavia lisävarusteita:

• Nestekaasulle tarkoitettu putki.

• Nestekaasulle tarkoitettu painesäädin, joka on varustettu turvaventtiilillä.

TARKASTA SYÖTTÖKAASUPUTKEN EHEYS. MIKÄ SE JOUDUTAAN VAIHTAMAAN, KÄYTÄ YKSINOMAAN TYPILTÄÄN JOUSTAVAA PUTKEA, JOKA SOVELTUU KÄYTTÖPAINEESEEN VIITTAAMALLA VALTAKUNNALLISIIN SÄÄDÖKSIIN.

► Generaattorin liittämiseksi kaasupullon:

VAROITUS: KAIKKI KIERTEET SUUNTAAVAT VASEMMALLE, ELI NE TULEE KIRISTÄÄ VASTAPÄIVÄÄN.

► **4.1.** Ruuvaa kaasuputki generaattorin liitokseen (Kuva 4).

► **4.2.** Asenna painesäädin kaasupullon. Varmista, että painesäätimessä on tiiviste (jos liitostyyppi sitä vaatii) (Kuva 5).

► **4.3.** Liitä kaasuputki painesäätimeen (Kuva 6).

► **4.4.** Avaa kaasupullon hana (Kuva 7).

► **4.5.** Paina säätimen vapautuspainiketta (Kuva 8). **Tarkista liitosten tiiviys saippuavedellä: kuplien syntyminen on merkinä mahdollisista kaasuvuodoista (Kuva 9).** Voit liittää yhteen useampia kaasupulloja saadaksesi suuremman autonomian.

On suositeltavaa käyttää 30 kg kaasupulloja 33 kW lämpötehoon asti. Yli 33 kW lämpötehoissa käytä tilavuudeltaan suurempia kaasupulloja. On suositeltavaa käyttää tilavuudeltaan sopivia kaasupulloja, jotta voidaan välttää polttoaineen kaasutuksen puuttumisesta aiheutuvia ongelmia. Oikea käyttöpaineen (katso generaattoriin kiinnitetty tietokilpi) antaa varustuksiin kuuluva tai vastaava säädin.

►► 5. KYTKEMINEN SÄHKÖVERKKOON TARKASTA SÄHKÖLAITTEISTOSI OIKEA MAADOITUS.

Ennen generaattorin kytkemistä sähköverkkoon varmista, että virransyötön jännite ja taajuus ovat oikeita (katso generaattorin kiinnitetty tietokilpi). liitäntä sähköverkkoon (Kuva 10) tulee suorittaa voimassa olevien valtakunnallisten määräysten mukaisesti.

►► 6. MANUAALISTEN MALLIEN KÄYNNISTÄMINEN (... / ...M / ...DV / ...M DV)

TÄRKEÄÄ: Tarkista malleissa ...DV / ...M DV jännityksen vaihtokytkimen asento (220-240V / 110-120V) (Kuva 11). Jos laitteeseen asetettu jännite ei vastaa verkkojännitettä, suorita toimenpiteet jännitteen säätämistä varten. Ruuvaa auki kannessa olevat 2 kiinnitysruuvia (Kuva 12), käännä katkaisin annettuun jännitearvoon (Kuva 13) ja asenna kansi takaisin paikoilleen (Kuva 14).

• 6.1. LÄMMITYSKÄYTTÖ:

► 6.1.1. Käännä virtakatkaisin "O/I" asentoon "I" (Kuva 15).

► 6.1.2. Paina kaasupainike pohjaan ja pidä sitä painettuna (Kuva 16).

► 6.1.3. Paina pohjaan useaan kertaan pietsosähkö sytytintä (Kuva 17), pitämällä kaasupainiketta painettuna (Kuva 16).

► 6.1.4. Kun liekki on syttynyt, pidä kaasupainiketta painettuna noin 15 sekunnin ajan (Kuva 18).

► 6.1.5. Vapauta kaasupainike (Kuva 19). Jos sähkökatkos syntyy tai kaasu puuttuu, laite sammuu. Generaattorin uudelleenkäynnistys ei ole automaattinen vaan se tulee suorittaa manuaalisesti toistamalla käynnistykseen kuuluva menetelmä.

Jos laite ei käynnisty, tutustu tarkoituksenmukaiseen osaan (Kappale "13. TOIMINTAHÄIRIÖT, SYYT JA KORJAUSTOIMENPITEET").

• 6.2. TUULETUSKÄYTTÖ:

Generaattoria voidaan käyttää myös tuulettimena. Kytke generaattori sähköverkkoon (Kuva 10) ja käännä virtakatkaisin "O/I" asentoon "I" (Kuva 15).

HUOM: Kun generaattori toimii lämmitystavassa, ennen kuin tuuletuskäyttöön siirrytään, suorita manuaalisia malleja koskeva oikea sammutussarja [Kappale "9. MANUAALISTEN MALLIEN SAMMUTTAMINEN (... / ...M / ...DV / ...M DV)"].

►► 7. ELEKTRONISTEN MALLIEN KÄYNNISTÄMINEN (...E / ...ET)

► 7.1. Käännä virtakatkaisin "O/I" asentoon "I" (Kuva 15).

► 7.2. Paina painiketta "RESET" (Kuva 20).

Generaattori alkaa analysointijakson ja noin 20÷30 sekunnin kuluttua liekki syttyy (katso toimintakaavio Kuva 21).

Jos sähkökatkos syntyy tai kaasu puuttuu, laite sammuu. Generaattorin uudelleenkäynnistys ei ole automaattinen vaan se tulee suorittaa manuaalisesti painamalla painiketta "RESET" (Kuva 20).

Jos laite ei käynnisty, tutustu tarkoituksenmukaiseen osaan (Kappale "13. TOIMINTAHÄIRIÖT, SYYT JA KORJAUSTOIMENPITEET").

VAROITUS: Jos generaattori sammuu huonetermostaatin antaman ohjauksen perusteella (lisävaruste), laitteen uudelleenkäynnistys tapahtuu automaattisesti kun lämpötila laskee alle asetetun rajan.

►► 8. LÄMPÖTEHON SÄÄTÖ

Generaattorityypin mukaan voit säätää laitteen lämpötehoa. Lämpötehoa voidaan säätää generaattorin jalustaan (Kuva 22) tai kaasupullon (Kuva 23) asennettua säädintä käyttämällä mallista riippuen.

►► 9. MANUAALISTEN MALLIEN SAMMUTTAMINEN (... / ...M / ...DV / ...M DV)

- 9.1. Sulje kaasupullon hana (Kuva 24).
- 9.2. Anna tuulettimen toimia noin 60 sekunnin ajan, jotta ylikuumentumisesta aiheutuvia sisäisiä vahinkoja voidaan estää (generaattorin sisäinen jäähdyttäminen).
- 9.3. Käännä virtakatkaisin "O/I" asentoon "O" (Kuva 25).
- 9.4. Kytke generaattori irti sähköverkosta (Kuva 26).
- 9.5. Kytke generaattori irti kaasun syöttöputkesta (Kuva 27-28-29).

►► 10. ELEKTRONISTEN MALLIEN SAMMUTTAMINEN (...E / ...ET)

- 10.1. Käännä virtakatkaisin "O/I" asentoon "O" (Kuva 25). Liekki sammuu ja generaattori suorittaa tuuletuksen jälkeisen vaiheen. Odota, kunnes jakso suoritetaan loppuun, jotta ylikuumentumisesta aiheutuvilta sisäisiltä vahingoilta vältyttäisiin (vaihe on automaattinen ja voi kestää 50 sekunnista 5 minuuttiin generaattorin sisäisen/ulkoisen lämpötilan mukaan).
- 10.2. Sulje kaasupullon hana (Kuva 24).
- 10.3. Kytke generaattori irti sähköverkosta (Kuva 26).
- 10.4. Kytke generaattori irti kaasun syöttöputkesta (Kuva 27-28-29).

HUOM : Vältä generaattorin kytkemistä irti sähköverkosta, ennen kuin tuuletuksen jälkeinen vaihe päättyy, jotta ylikuumentumisesta aiheutuvia sisäisiä vahinkoja voitaisiin estää.

►► 11. PUHDISTUS JA HUOLTO

Tarkistuta generaattorin oikea toiminta teknisessä huollossa vähintään kerran vuodessa ja/tai tarpeen mukaan. Ennen laitteen varastointia, se tulee puhdistaa.

► 11.1. Ennen minkä tahansa huolto-, hoito- ja korjaustoimenpiteen aloittamista, suorita sammutusjakso [Kappale "9. MANUAALISTEN MALLIEN SAMMUTTAMINEN (... / ...M / ...DV / ...M DV)" tai "10. ELEKTRONISTEN MALLIEN SAMMUTTAMINEN (...E / ...ET)"].

► 11.2. Puhdistus koskee vain generaattorin ilmanottoaukkoa (takapuoli).

► 11.3. Kun laitetta käytetään, tarkasta kaasuputken ja virtajohdon kunto; jos niiden kuntoon liittyy epäilyksiä, käänny teknisen huollon puoleen.

► 11.4. Älä suorita valtuuttamattomia toimenpiteitä.

►► 12. HUONETERMOSTAATIN LIITÄNTÄ (...E / ...ET) (lisävaruste)

Irrota korkki, joka on kiinnitetty laitteeseen ja liitä huonetermostaatti (lisävaruste) (Kuva 30).

Katso sähkökaavio (...E / ...ET).

►► 13. TOIMINTAHÄIRIÖT, SYYT JA KORJAUSTOIMENPITEET

TOIMINTAHÄIRIÖTM ...DV ...M DV	...E ...ET	SYYT	KORJAUSTOIMENPITEET
Moottori ei käynnisty	X	X	Virta puuttuu	1°Tarkasta verkkolaitteisto 2°Tekninen huolto
	X	X	Viallinen/ vahingoittunut virtajohto	Tekninen huolto
	X	X	Moottori rikki	Tekninen huolto
		X	Huonetermostaatti kytketty väärin	Kytke huonetermostaatti oikein
Liekki ei syty	X	X	Kaasupullo on kulunut loppuun	Vaihda kaasupullo (Kappale 4)
	X	X	Säätimen turvaventtiili lukkiutunut	1°Paina säätimen kaasun vapautuspainiketta (Kuva 8) 2°Tekninen huolto
	X	X	Kaasupullon hana kiinni	Avaa kaasupullon hana (Kuva 7)
	X	X	Sytytyspiiri viallinen	Tekninen huolto
		X	Maadoitus ei ole tehokas	Tarkista laitteistosi oikea maadoitus
Liekki ei jää palamaan	X		Kaasupainiketta ei ole painettu riittävän pitkään	Paina kaasupainiketta pidempään (Kappale 6.1.4.)
	X	X	Vika generaattorissa	Tekninen huolto
Liekki sammuu käytön aikana	X	X	Kaasusyöttö ei ole riittävä	1°Vaihda kaasupullo (Kappale 4) 2°Tekninen huolto
	X	X	Polttoaineen kaasutus puuttuu	Käytä tilavuudeltaan sopivan kokoisia kaasupulloja (Kappale 4)
	X	X	Laitteen ylikuumeneminen	1°Puhdista ilmanottoaukko (takapuoli) 2°Tekninen huolto
	X	X	Vika generaattorissa	Tekninen huolto

INNHOLDSFORTEGNELSE PARAGRAFER

1...	BESKRIVELSE
2...	ADVARSLER
3...	TYPE BRENNSTOFF
4...	TILKOBLING OG BYTTE AV GASSFLASKEN
5...	TILKOBLING TIL STRØMNETTET
6...	TENNING AV DE MANUELLE MODELLENE (... / ...M / ...DV / ...M DV)
7...	TENNING AV DE ELEKTRONISKE MODELLENE (...E / ...ET)
8...	REGULERING AV VARMEEFFEKT
9...	SLÅ AV DE MANUELLE MODELLENE (... / ...M / ...DV / ...M DV)
10...	SLÅ AV DE ELEKTRONISKE MODELLENE (...E / ...ET)
11...	RENGJØRING OG VEDLIKEHOLD
12...	KOBLING ROMTERMOSTAT (...E / ...ET)
13...	FUNKSJONSFEIL, ÅRSAKER OG LØSNINGER

no

VIKTIG: LES OG FORSTÅ DENNE MANUALEN FØR DU UTFØRER MONTERING, IGANGSETTING ELLER VEDLIKEHOLD AV DETTE APPARATET. FEIL BRUK AV APPARATET KAN FØRE TIL ALVORLIGE SKADER. TA VARE PÅ DENNE MANUALEN FOR FREMTIDIG BRUK.

►► 1. BESKRIVELSE

Dette bærbare varmluftsapparatet fungerer med flytgass. Det kjennetegnes av en total utnyttelse av brenselet på grunn av varmeveksling mellom luft i innførsel og brennstoffene. Det er utstyrt med et praktisk håndtak for å gjøre transport og håndtering lettere. Apparatet er utført i henhold til Norm EN 1596.

►► 2. ADVARSLER

►⚠️ **VIKTIG:** Apparatet må ikke brukes til oppvarming av hus i boligområder. For bruk i offentlige bygg, henviser vi til nasjonale forskrifter.

►⚠️ **VIKTIG:** Apparatet er ikke egnet for personer (inkludert barn) med reduserte fysiske, sensoriske eller mentale evner, eller manglende erfaring og kunnskap, med mindre de kontrolleres av en person som er ansvarlig for deres sikkerhet. Barn må

kontrolleres, slik at de ikke leker med apparatet. Hold dyr i sikker avstand fra apparatet.

►⚠️ **VIKTIG:** Feil bruk av dette luftvarmeapparatet kan forårsake alvorlige skader eller livsfare på grunn av brann, eksplosjon, elektrisk støt eller forgiftning. De første symptomene på kullstoffforgiftning ligner på influensasymptomer, med hodeverk, svimmelhet og/eller kvalme. Disse symptomene kan være forårsaket av feil funksjon av apparatet. **DERSOM DISSE SYMPTOMENE SKULLE OPPSTÅ, GÅ UMIDDELBART UT I FRISK LUFT** og sørg for at apparatet repareres av tekniske assistanse.

►⚠️ **VIKTIG:** All rengjøring, vedlikehold og reparasjon som krever tilgang til farlige deler (som bytte av skadet strømløsing) må utføres av produsenten, teknisk assistanse

eller en kvalifisert person slik at man unngår risiko. Dette gjelder også selv om apparatet kobles fra strømmettet.

► **2.1.** For korrekt bruk av apparatet og oppbevaring av brennstoff, må man følge lokale bestemmelser og gjeldende regelverk.

► **2.2.** Apparatet krever riktig ventilasjon for at det kan fungere. Derfor skal det bare brukes utendørs eller på Slike rom der vedvarende ventilasjon kan sikres. God ventilasjon garanteres når rommets volum er beregnet ut i fra varmeeffekt, med formelen 1 m^3 hver 100 W. Man anbefaler at rommets volum ikke er mindre enn 100 m^3 . God ventilasjon garanteres når man har en åpning som tilfredsstillende formelen 25 cm^2 for hver kW, med minimum 250 cm^2 , likt fordelt på øvre og nedre del av rommet. For installasjon gjelder nasjonale forskrifter, også når det gjelder tekniske regler og forskrifter angående skadeforebygging og brannvern.

► **2.3.** Apparatet må kun brukes som varmluftsapparat (oppvarmingsmodus), eller vifte (modus ventilasjon for de modeller som har denne funksjonen). Følg nøye disse instruksjonene for bruk av apparatet.

► **2.4.** Produsenten fraskriver seg ethvert ansvar for skader på ting og/eller personer som oppstår på grunn av feil bruk av apparatet.

► **2.5.** Tilfør apparatet kun den type brensel som er spesifisert og strøm med den spenning og frekvens som er indikert på apparatets merkeskilt.

► **2.6.** Forsikre seg om at apparatet kun kobles til strømmett utstyrt med jordfeilbryter og som er skikkelig jordet.

► **2.7.** Bruk kun skjøteledninger med egnet tverrsnitt, og som er jordet.

► **2.8.** Apparatet må kun brukes på en overflate som er jevn, stabil og brannsikker for å unngå fare for brann.

► **2.9.** Det er strengt forbudt å anvende apparatet i kjellerrom eller i underjordiske lokaler.

► **2.10.** Apparatet må ikke brukes i områder hvor det er eksplosivt støv, røyk, gass, brennstoff, løsemidler, maling.

► **2.11.** Dersom dette apparatet brukes i nærheten av presenninger, telt eller andre lignende tildekningsstoffer, anbefaler vi at man bruker brannsikre tilleggsbeskyttelser. Pass på å holde riktig avstand fra apparatets varme deler. Aldri mindre enn 2,5 m fra materialer som er brennbare (stoffer, papir, tre, etc.) eller termolabile (innbefatter også strømledningen).

► **2.12.** Plasser gassflasken i beskyttet posisjon, bak apparatet (Fig. 1). Apparatet må aldri rettes mot gassflasken (Fig. 2).

► **2.13.** Det er forbudt å tildekkes helt eller delvis luftinntaket (bak) og/eller luftutløpet (foran) (Fig. 3). Unngå bruk av en hvilken som helst form for kanalisering av luften til/fra apparatet. Forsikre seg om at åpningene for luftinntak nede på basen ikke tilstoppes (gjelder de modeller med denne løsningen).

► **2.14.** Dersom apparatet ikke antennes, eller antennes på en unormal måte, konsulter tilhørende avsnitt (Parag. "13. FUNKSJONSFEIL, ÅRSAKER OG LØSNINGER").

► **2.15.** Når apparatet er i bruk, må det aldri flyttes, håndteres eller utsettes for vedlikehold.

► **2.16.** Uansett om apparatet er i bruk eller om det står i ro, vær oppmerksom på at det fleksible gassrøret ikke skades (klemmes, bøyes, vrís, strekkes).

► **2.17.** Dersom man kjenner gasslukt, slå apparatet av øyeblikkelig, steng gassflasken, trekk ut strømledningen

og ta deretter kontakt med teknisk assistanse.

► **2.18.** Dersom man må erstatte gassledningen, bruk kun fleksible slanger som er egnet for type driftstrykk, og ha hensyn til nasjonale regler. Gassledningen må være 1,5 m lang.

► **2.19.** Når apparatet kontrolleres av en romtermostat (valgfridd tilleggssutstyr), kan apparatet slå seg på når som helst når temperaturen synker under innstilt temperatur.

► **2.20.** Når apparatet ikke er i bruk, må man koble det fra strømuttaket, stenge gasstilførselen, fjerne gassledningen fra apparatet og lukke igjen åpningen for gasstilførsel på apparatet.

► **2.21.** La den tekniske assistansen utføre en funksjonskontroll av apparatet minst en gang i året.

►► 3. TYPE BRENNSTOFF

Bruk kun gass i kategori I₃B/P.

►► 4. TILKOBLING OG BYTTE AV GASSFLASKEN

Gassflasken må byttes ute, langt unna varmekilder og i en atmosfære som er fri for flammer.

For tilkobling av gassflasken til apparatet må man kun bruke følgende utstyr:

- Fleksibel slange for flytende gass.
- Trykkregulator for flytende gass komplett med sikkerhetsventil.

KONTROLLER AT SLANGEN FOR GASSTILFØRSEL ER HEL. DERSOM DEN MÅ ERSTATTES, BRUK KUN SLANGER AV DEN FLEKSIBLE TYPEN OG DERSOM DEN MÅ ERSTATTES, BRUK KUN FLEKSIBLE SLANGER SOM ER EGNET FOR DRIFTSTRYKK, OG REFERER TIL NASJONALE REGLER.

► For tilkobling av apparatet til gassflasken:

ADVARSEL: ALLE GJENGENE DREIES MOT VENSTRE, DET VIL SI AT DE STRAMMES I MOT KLOKKERETNING.

► **4.1.** Skru gassledningen til apparatets feste (Fig. 4).

► **4.2.** Installer trykkregulatoren på gassflasken. Forsikre seg om at pakningen på regulatoren er på plass (dersom denne type feste forutser at denne finnes) (Fig. 5).

► **4.3.** Fest gassledningen til trykkregulatoren (Fig. 6).

► **4.4.** Åpne gassflaskens kran (Fig. 7).

► **4.5.** Trykk på regulatorens utløserknapp (Fig. 8). **Kontroller koblingenes tetthet med såpevann: eventuelle bobler indikerer at det er gasslekkasje (Fig. 9).**

Man kan koble flere gassflasker sammen for lenger autonomi. **Man anbefaler bruk av gassflasker med en kapasitet på 30 kg, med en varmeeffekt på 33 kW. Med en effekt på mer enn 33 kW, bruk gassflasker med større kapasitet. Man anbefaler bruk av gassflasker med egnet kapasitet for å unngå problemer som oppstår på grunn av manglende gassifisering av brennstoffet.** Korrekt driftstrykk (se merkeskiltet på apparatet) er gitt av medfølgende regulator eller av en lik modell.

►► 5. TILKOBLING TIL STRØMNETTET

KONTROLLER AT DET ELEKTRISKE ANLEGGET ER RIKTIG JORDET.

Før man kobler apparatet til strømnettet, må man forsikre seg om at matespenning og frekvens er korrekte (se merkeskiltet på apparatet). Tilkobling til strømnettet (Fig. 10), må utføres ved å ta hensyn til gjeldende nasjonale forskrifter.

►► 6. TENNING AV DE MANUELLE MODELLENE (... / ...M / ...DV / ...M DV)

VIKTIG: For modellene ...DV / ...M DV, kontroller posisjonen til bryteren for spenningsbytte (220-240V / 110-120V) (Fig. 11). Dersom innstilt spenning på apparatet ikke tilsvarer nettspenningen, må man sørge for å tilpasse spenningen. Skru løs de 2 festeskruene på lokket (Fig. 12), flytt bryteren til spenningsverdien (Fig. 13) og sett på igjen lokket (Fig. 14).

• 6.1. OPPVARMINGSMODUS:

► 6.1.1. Sett bryteren "O/I" i posisjon "I" (Fig. 15).

► 6.1.2. Trykk gassknappen helt ned og hold den nede (Fig. 16).

► 6.1.3. Trykk gjentatte ganger på den elektriske piezotennen (Fig. 17), og samtidig hold nede gassknappen (Fig. 16).

► 6.1.4. Etter at flammen er antent, fortsett å hold nede gassknappen i cirka 15 sekunder (Fig. 18).

► 6.1.5. Slipp gassknappen (Fig. 19). Dersom det oppstår et strømavbrudd eller gassmangel, vil apparatet slå seg av. Ny antenning er ikke automatisk, men må utføres manuelt ved å gjenta prosedyren for antenning.

Dersom apparatet ikke antennes, konsulter avsnittet (Parag. "13. FUNKSJONSFEIL, ÅRSAKER OG LØSNINGER").

• 6.2. MODUS VENTILASJON:

Apparatet kan også brukes som vifte. Koble apparatet til strømnettet (Fig. 10) og sett bryteren "O/I" i posisjon "I" (Fig. 15).

N.B.: Når apparatet fungerer i oppvarmingsmodus, må man først utføre korrekt avslåing for manuelle modeller for man går over til viftemodus. Dette gjøres ved å følge indikasjonene i [Avsnitt "9. SLÅ AV DE MANUELLE MODELLENE (... / ...M / ...DV / ...M DV)"].

►► 7. TENNING AV DE ELEKTRONISKE MODELLENE (...E / ...ET)

► 7.1. Sett bryteren "O/I" i posisjon "I" (Fig. 15).

► 7.2. Trykk på "RESET"-knappen (Fig. 20).

Apparatet startet analysesekvensen og etter cirka 20÷30 s antennes flammen (se funksjonsskjema Fig. 21).

Dersom det oppstår et strømavbrudd eller gassmangel, vil apparatet slå seg av. Ny antenning er ikke automatisk, men må utføres manuelt ved å trykke på "RESET"-knappen (Fig. 20).

Dersom apparatet ikke antennes, konsulter avsnittet (Parag. "13. FUNKSJONSFEIL, ÅRSAKER OG LØSNINGER").

ADVARSEL: Når apparatet stopper å fungere på grunn av romtermostaten (valgfritt tilleggsutstyr), slår apparatet seg på igjen automatisk når temperaturen synker under innstilt temperatur.

►► 8. REGULERING AV VARMEEFFEKT

Avhengig av type apparat, kan man regulere varmeeffekten. Varmeeffekten kan reguleres ved bruk av håndtaket på apparatets base (Fig. 22), eller på trykkregulatoren som er installert på gassflasken (Fig. 23), avhengig av modell.

►► 9. SLÅ AV DE MANUELLE MODELLENE (... / ...M / ...DV / ...M DV)

- 9.1. Steng gassflasken (Fig. 24).
- 9.2. La viften virke i cirka 60 s, slik at man unngår interne skader på grunn av overoppheting (intern nedkjøling av apparatet).
- 9.3. Sett bryteren "O/I" i posisjon "O" (Fig. 25).
- 9.4. Koble apparatet fra strømmettet (Fig. 26).
- 9.5. Koble apparatet fra ledningen for gasstilførsel (Fig. 27-28-29).

►► 10. SLÅ AV DE ELEKTRONISKE MODELLENE (...E / ...ET)

- 10.1. Sett bryteren "O/I" i posisjon "O" (Fig. 25). Flammen slukkes og apparatet utfører fasen for lufting. Vent til syklusen er ferdig slik at man unngår interne skader på grunn av overoppheting (fasen er automatisk og kan vare mellom 5 sek til 5 minutter avhengig av apparatets interne/eksterne temperatur).
- 10.2. Steng gassflasken (Fig. 24).
- 10.3. Koble apparatet fra strømmettet (Fig. 26).
- 10.4. Koble apparatet fra ledningen for gasstilførsel (Fig. 27-28-29).

N.B.: Unngå å koble apparatet fra strømmettet før ventilasjonsfasen er ferdig, slik at man unngår interne skader på grunn av overoppheting.

►► 11. RENGJØRING OG VEDLIKEHOLD

La den tekniske assistansen utføre en funksjonskontroll av apparatet minst en gang i året eller når det er nødvendig. Før apparatet settes vekk etter bruk, må det rengjøres.

► 11.1. Før man tar til med vedlikehold, renhold og reparasjon av apparatet, utfør følgende avslåingssekvens [Parag. "9. SLÅ AV DE MANUELLE MODELLENE (... / ...M / ...DV / ...M DV)" eller "10. SLÅ AV DE ELEKTRONISKE MODELLENE (...E / ...ET)"].

► 11.2. Rengjøringen gjelder kun luftuttaket (på baksiden) av apparatet.

► 11.3. Når apparatet brukes på nytt, kontroller at gass- og strømledningen er hele; i tilfelle tvil, ta kontakt med tekniske assistanse.

► 11.4. Ikke utfør uautoriserte inngrep.

►► 12. KOBLING ROMTERMOSTAT (...E / ...ET) (tilleggsutstyr)

Fjern pluggen festet på apparatet og deretter kobl til romtermostaten (tilleggsutstyr) (Fig. 30).

Se koblings skjema (...E / ...ET).

►► 13. FUNKSJONSFEIL, ÅRSAKER OG LØSNINGER

FUNKS- JONSFEILM ...DV ...M DV	...E ...ET	ÅRSAKER	LØSNINGER
Motoren starter ikke	X	X	Ingen spenning	1°Kontroller det elektriske anlegget 2°Teknisk assistanse
	X	X	Skadet/ødelagt strømledning	Teknisk assistanse
	X	X	Motorfeil	Teknisk assistanse
		X	Feil tilkobling av romtermostaten	Tilkoble romtermostaten på korrekt måte
Flammen antennes ikke	X	X	Gassflasken er tom	Erstatt gassflasken (Parag. 4)
	X	X	Regulatorens sikkerhetsventil er blokkert	1°Trykk på regulatorens gassutløserknapp (Fig. 8) 2°Teknisk assistanse
	X	X	Gassflaskens kran er stengt	Åpne gassflaskens kran (Fig. 7)
	X	X	Tenningskretsen er skadet	Teknisk assistanse
		X	Ineffektiv jording	Kontroller om anlegget er riktig jordet
Flammen forblir ikke antent	X		Gassknappen holdes ikke inne lenge nok	Trykk lenger på gassknappen (Parag. 6.1.4.)
	X	X	Apparatet er skadet	Teknisk assistanse
Flammen slår seg av i løpet av funksjon	X	X	Utilstrekkelig gasstilførsel	1°Erstatt gassflasken (Parag. 4) 2°Teknisk assistanse
	X	X	Manglende gassifisering av brennstoffet	Bruk gassflasker av egnet kapasitet (Parag. 4)
	X	X	Overoppheting av apparatet	1°Rengjør luftinntaket (på baksiden) 2°Teknisk assistanse
	X	X	Apparatet er skadet	Teknisk assistanse

INNEHÅLLSFÖRTECKNING ÖVER AVSNITT

1...	BESKRIVNING
2...	VARNINGSFÖRESKRIFTER
3...	BRÄNSLESORT
4...	ANSLUTNING OCH BYTE AV GASBEHÅLLAREN
5...	ANSLUTNING TILL ELNÄTET
6...	PÅSLAGNING AV DE MANUELLA MODELLERNA (... / ...M / ...DV / ...M DV)
7...	PÅSLAGNING AV DE ELEKTRONISKA MODELLERNA (...E / ...ET)
8...	REGLERING AV VÄRMEEFFEKTEN
9...	AVSTÄNGNING AV DE MANUELLA MODELLERNA (... / ...M / ...DV / ...M DV)
10...	AVSTÄNGNING AV DE ELEKTRONISKA MODELLERNA (...E / ...ET)
11...	RENGÖRING OCH UNDERHÅLL
12...	IKOPPLING AV RUMSTERMOSTATEN (...E / ...ET)
13...	FUNKTIONSFEL, ORSAKER OCH ÅTGÄRDER

VIKTIGT: SE TILL ATT DU HAR LÄST IGENOM OCH FÖRSTÅTT DEN HÄR MANUALEN INNAN DU UTFÖR MONTERING, DRIFTSÄTTNING ELLER UNDERHÅLL AV GENERATORN. EN FELAKTIG ANVÄNDNING AV GENERATORN KAN VÅLLA ALLVARLIGA SKADOR. FÖRVARA MANUALEN FÖR FRAMTIDA BRUK.

►► 1. BESKRIVNING

Den här generatorn är en bärbar luftvärmare som går på flytande gas och som kännetecknas av en full nyttjandegrad av bränslet genom värmeväxling med direktblandning av den utsugna luften och förbränningsprodukterna. Generatorn är försedd med ett praktiskt handtag som underlättar dess frakt och förflyttning. Apparaten har tillverkats i enlighet med bestämmelsen EN 1596.

►► 2. VARNINGSFÖRESKRIFTER

►⚠️ **VIKTIGT:** Använd inte generatorn för en uppvärmning av boendeytor i bostadsbyggnader. För en användning i offentliga byggnader hänvisar vi till nationella regelverk.

►⚠️ **VIKTIGT:** Apparaten är inte lämpad för att användas av personer (även barn) med nedsatt fysisk, sensorisk eller mental förmåga, eller

med bristande erfarenhet, såvida de inte övervakas av en person som ansvarar för deras säkerhet. Barn ska hållas under uppsikt för att garantera att de inte leker med apparaten. Håll hushållsdjur på ett säkert avstånd från apparaten.

►⚠️ **VIKTIGT:** En oriktig användning av generatorn kan orsaka skador eller livsfara för personer, samt personskador, brännskador, explosioner, elektrochock eller förgiftning. De första symptomen på syrebrist från kolmonoxid påminner om influensasymtom med huvudvärk, yrhet och/eller illamående. Dessa symtom kan ha orsakats av en defekt funktionalitet hos generatorn. **IFALL DESSA SYMPTOM SKULLE VISA SIG, GÅ GENAST UTOMHUS** och låt den tekniska supporten reparera generatorn.

► **⚠VIKTIGT:** Samtliga moment för rengöring, underhåll och reparation som förutser en kontakt med farliga delar (såsom ett byte av en skadad kabel) ska utföras av tillverkaren, av dennes tekniska support eller av en person med liknande kvalifikationer så att samtliga risker förebyggs, och även om kabeln är urkopplad från elnätet.

► **2.1.**För en korrekt användning av generatoren och för att förvara bränslet, följ samtliga lokala förordningar och gällande lagar noggrant.

► **2.2.**För att generatoren ska kunna fungera kräver den ett lämpligt luftbyte. Generatoren ska därför användas utomhus eller i ett rum med ett garanterat och kontinuerligt luftbyte. En god luftning garanteras när rumsvolymen beräknas utifrån värmeeffekten med formeln 1 m^3 per 100 W effekt. Den rekommenderade rumsvolymen ska aldrig understiga 100 m^3 . En god ventilation garanteras av en öppning som uppfyller formeln 25 cm^2 per kW värmeeffekt, och med ett minimivärde på 250 cm^2 som fördelas jämt mellan rummets ovan- och undersida. Installationen är underkastad gällande nationella bestämmelser, inklusive tekniska bestämmelser och förordningar för olycksförebyggande åtgärder och brandsäkerhet.

► **2.3.**Apparaten ska endast användas som varmluftsgenerator (i funktionsläget uppvärmning), eller som fläkt (i funktionsläget ventilation för de modeller som förutser denna funktion). Följ följande instruktioner utförligt vid användning.

► **2.4.**Tillverkaren avsäger sig allt ansvar för saksador och/eller personskador som uppstått på grund av en felaktig användning av apparaten.

► **2.5.**Försörj enbart generatoren med den bränsletyp som uttryckligen föreskrivits och med den strömspänning och strömfrekvens som indikeras på märkskylten på generatoren.

► **2.6.**Anslut endast generatoren till ett elnät som lämpligen utrustats med differentialbrytare och med en avpassad skyddsjord.

► **2.7.**Använd endast skarvsladdar med ett lämpligt tvärsnitt och med jordledare.

► **2.8.**Generatoren ska fungera på en livellerad, stabil och brandsäker yta så att brandfara undviks.

► **2.9.**Det är absolut förbjudet att använda apparaten i källarvåningslokaler eller under jord.

► **2.10.**Generatoren ska inte användas i lokaler där explosivt damm, rök, gaser, bränslen, lösningsmedel eller målarfärg förekommer.

► **2.11.**Om generatoren används i närheten av täckdukar, gardiner eller dylika täckningsmaterial, råder vi er att använda extraskydd av brandsäker typ. Var noga med att upprätthålla ett lämpligt avstånd, som på inga villkor får understiga 2,5 m, mellan brännbara material (tyg, papper, trä, etc.) eller termolabila material (inklusive elkabeln), och generators varma delar.

► **2.12.**Placera gasbehållaren i skyddat läge bakom apparaten (Figur 1). Generatoren får aldrig riktas mot gasbehållaren (Figur 2).

► **2.13.**Det är förbjudet att, av vilken som helst anledning, täppa till luftintaget (baksida) och/eller luftutloppet (framsida) (Figur 3). Undvik att använda vilken som helst luftkanalisering från/till generatoren. Säkerställ att uppsugningsgluggarna som förekommer på bottenplattan (för de modeller som använder sig av den här lösningen) inte tilltäpps.

► **2.14.** Vid en icke utförd eller onormal påslagning av generatoren, rådfråga det särskilda avsnittet (Stycke "13. FUNKTIONEFEL, ORSAKER OCH ÅTGÄRDER").

► **2.15.** När generatoren är i funktion får den aldrig förflyttas, manipuleras eller vara föremål för något underhållsingrepp.

► **2.16.** Var noga med att gasslangen inte skadas (kläms, viks, vrids, sträcks) under samtliga användarförhållanden eller i stillastående läge.

► **2.17.** Ifall en gaslukt förnimms, stäng genast av apparaten, stäng gasbehållaren, dra ur nätkabeln och kontakta teknisk support.

► **2.18.** Om gasslangen byts ut ska endast slangar som är avpassade för drifttrycket användas och med hänsyn till nationella regelverk. Gasslangen ska vara 1,5 m lång.

► **2.19.** När apparaten styrs av en rumstermostat (tillvalsartikel) kan generatoren när som helst sättas på igen, det vill säga när temperaturen understiger det inställda tröskelvärdet.

► **2.20.** När generatoren inte används, koppla från den från nätuttaget, stäng av gasförsörjningen, koppla ur gasslangen från generatoren och tillslut generators gasintag.

► **2.21.** Låt teknisk support kontrollera att generatoren fungerar korrekt minst en gång om året och/eller efter behov.

►► **3. BRÄNSLESORT**

Använd endast gaser i klass I₃B/P.

►► **4. ANSLUTNING OCH BYTE AV GASBEHÅLLAREN**

Gasbehållaren ska bytas ut utomhus och långt från värmekällor, samt i en atmosfär som är fri från lågor.

Vid anslutningen av gasbehållaren till generatoren ska endast följande tillbehör användas:

- Slang för flytande gas.
- Tryckregulator för flytande gas försedd med säkerhetsventil.

KONTROLLERA ATT GASFÖRSÖRJNINGSSLANGEN ÄR HEL IFALL DEN BEHÖBS BYTAS UT, ANVÄND ENDAST SLANGAR SOM ÄR ANPASSADE TILL DRIFTTRYCKET OCH MED HÄNSYN TILL NATIONELLA REGELVERK.

► Vid anslutning av generatoren till gasbehållaren:

VARNING: ALLA GÄNGNINGAR ÄR VÄNSTERHÄNTA, DET VILL SÄGA DE SKA DRAS ÅT MOTURS.

► **4.1.** Skruva fast gasslangen till generators kopplingsrör (Figur 4).

► **4.2.** Installera tryckregulatorn på gasbehållaren. Kontrollera att en packning förekommer på regulatorn (ifall typen av fogpunkt förutser detta) (Figur 5).

► **4.3.** Anslut gasslangen till tryckregulatorn (Figur 6).

► **4.4.** Öppna gasbehållarens kran (Figur 7).

► **4.5.** Tryck på knappen för friställning av regulatorn (Figur 8). **Kontrollera att kopplingsrören är täta med hjälp av tvålvatten: om bubblor uppstår tyder detta på gasläckor (Figur 9).** Det går att seriekoppla flera gasbehållare så att en större självständighet uppnås. **Vi rekommenderar att ni använder gasbehållare om 30 kg som täcker en värmeeffekt på upp till 33 kW. För en effekt på över 33 kW ska gasbehållare med högre kapacitet användas. Vi rekommenderar att ni använder gasbehållare med lämplig kapacitet för att undvika problem som orsakats av en icke utförd bränsleförgasning.**

Det korrekta drifttrycket (se märkskylten på generatoren) anges av regulatoren som medföljde produkten eller likvärdig modell.

►► 5. ANSLUTNING TILL ELNÄTET

KONTROLLERA ATT ER ELANORDNING HAR EN KORREKT SKYDDSJORD

Säkerställ att strömspänningen och strömfrekvensen är korrekta (se märkskylten på generatoren) innan ni ansluter generatoren till elnätet. Anslutningen till elnätet (Figur 10) bör utföras i enlighet med nationella bestämmelser.

►► 6. PÅSLAGNING AV DE MANUELLA MODELLERNA (... / ...M / ...DV / ...M DV)

VIKTIGT: För modellerna ...DV / ...M DV, kontrollera läget för spänningsomkopplaren (220-240V / 110-120V) (Figur 11). Om spänningen som ställts in på apparaten inte motsvarar nätspänningen måste spänningen justeras. Skruva loss lockets 2 fästskruvar (Figur 12), för brytaren till nätspänningsvärdet (Figur 13) och sätt tillbaka locket (Figur 14).

• 6.1. UPPVÄRMNINGSFUNKTIONSLÄGE

► 6.1.1. Ta strömbrytaren "O/I" till läget "I" (Figur 15).

► 6.1.2. Tryck in gasknappen helt och håll den nedtryckt (Figur 16).

► 6.1.3. Tryck in den pizelektriska tändaren helt och upprepade gånger (Figur 17) samtidigt som du håller gasknappen nedtryckt (Figur 16).

► 6.1.4. Efter att lågan har tänts ska gasknappen hållas nedtryckt i cirka 15 s (Figur 18).

► 6.1.5. Släpp gasknappen (Figur 19).

Vid ett strömavbrott eller vid gasbrist kommer apparaten att stängas av. Generatorns påslagning kan inte ske på automatisk väg men måste utföras manuellt och genom att upprepa påslagningsrutinen.

Om apparaten inte tänds, rådfråga det särskilda avsnittet (Stycke "13. FUNKTIONEFEL, ORSAKER OCH ÅTGÄRDER").

• 6.2. FUNKTIONSLÄGE VENTILATION

Generatoren kan även användas som fläkt. Anslut generatoren till elnätet (Figur 10) och ta strömbrytaren "O/I" till läget "I" (Figur 15).

OBSERVERA: Med generatoren i funktionsläget uppvärmning och innan ni övergår till funktionsläget ventilation, utför en korrekt avstängningssekvens för de manuella modellerna [Stycke "9. AVSTÄNGNING FÖR DE MANUELLA MODELLERNA (... / ...M / ...DV / ...M DV)"].

►► 7. PÅSLAGNING AV DE ELEKTRONISKA MODELLERNA (...E / ...ET)

► 7.1. Ta strömbrytaren "O/I" till läget "I" (Figur 15).

► 7.2. Tryck på knappen "RESET" (Figur 20).

Generatoren påbörjar nu analyssekvensen och efter ungefär 20÷30 s tänds lågan (se funktionsschemat i Figur 21).

Vid ett strömavbrott eller vid gasbrist kommer apparaten att stängas av. Generatorns påslagning sker inte automatiskt men måste utföras manuellt och genom att trycka på knappen "RESET" (Figur 20).

Om apparaten inte tänds, rådfråga det särskilda avsnittet (Stycke "13. FUNKTIONEFEL, ORSAKER OCH ÅTGÄRDER").

VARNING: Om generatorm stannas av rumstermostaten (tillvalsartikel), sker apparatens påslagning automatiskt när temperaturen sjunkit under det inställda tröskelvärde.

►► 8. REGLERING AV VÄRMEEFFEKTEN

Beroende på generatortyp kan apparatens värmeeffekt regleras. Värmeeffekten regleras genom att verka på vridratten som är belägen på generatorns underdel (Figur 22), eller på gasbehållarens tryckregulator (Figur 23) och beroende på modell.

►► 9. AVSTÄNGNING AV DE MANUELLA MODELLERNA (... / ...M / ...DV / ...M DV)

► 9.1. Stäng av gasbehållaren (Figur 24).

► 9.2. Låt fläkten fungera i ungefär 60 s så att interna skador på grund av överhettning (intern avkylning i generatorm) undviks.

► 9.3. Ta strömbrytaren "O/I" till läget "O" (Figur 25).

► 9.4. Koppla ur generatorm från elnätet (Figur 26).

► 9.5. Koppla från generatorm från gasförsörjningsslangen (Figur 27-28-29).

►► 10. AVSTÄNGNING AV DE ELEKTRONISKA MODELLERNA (...E / ...ET)

► 10.1. Ta brytaren "O/I" till läget "O" (Figur 25). Lågan slocknar nu och generatorm utför fasen för efterventilation. Vänta tills cykeln har slutförts för att undvika interna skador på grund av överhettning (fasen är automatisk och kan vara i 50 s-5 min beroende på den interna/externa temperaturen hos generatorm).

► 10.2. Stäng av gasbehållaren (Figur 24).

► 10.3. Koppla ur generatorm från elnätet (Figur 26).

► 10.4. Koppla från generatorm från gasförsörjningsslangen (Figur 27-28-29). **OBSERVERA:** Koppla inte från generatorm från elnätet innan efterventilationen har avslutats för att undvika interna skador från överhettning.

►► 11. RENGÖRING OCH UNDERHÅLL

Låt teknisk support kontrollera att generatorm fungerar korrekt minst en gång om året och/eller efter behov. Apparaten ska rengöras innan den sätts tillbaka efter att ha använts.

► 11.1. Innan ni utför vilket som helst underhållsarbete på apparaten, utför en avstängningssekvens [Stycke "9. AVSTÄNGNING FÖR DE MANUELLA MODELLERNA (... / ...M / ...DV / ...M DV)" o "10. AVSTÄNGNING AV DE ELEKTRONISKA MODELLERNA (...E / ...ET)"].

► 11.2. rengöringen avser endast generatorms luftuttag (baksidan).

► 11.3. Kontrollera att gasslangen och elkabeln är hela i samband med att apparaten återanvänds. Ifall ni är osäkra över deras goda skick, be om att teknisk support ingriper.

► 11.4. Utför inte icke auktoriserade ingrepp.

►► 12. IKOPPLING AV RUMSTERMOSTATEN (...E / ...ET) (tillval)

Ta av locket som är anslutet till apparaten och koppla in rumstermostaten (tillval) (Figur 30).

Se elschemat (...E / ...ET).

►► 13. FUNKTIONSFEL, ORSAKER OCH ÅTGÄRDER

FUNKTIONSFELM ...DV ...M DV	...E ...ET	ORSAKER	ÅTGÄRDER
Motorn startar inte	X	X	Ingen spänning	1°Kontrollera nätanläggningen 2°Teknisk support
	X	X	Elkabeln är defekt/ skadad	Teknisk support
	X	X	Motorn är sönder	Teknisk support
		X	Fel anslutning till rumstermostat	Anslut rumstermostaten rätt
Lågan tänds inte	X	X	Gasbehållaren är slut	Byt ut gasbehållaren (Stycke 4)
	X	X	Säkerhetsventil till regulator låst	1°Tryck på regulatorns knapp för gasöppning (Figur 8) 2°Teknisk support
	X	X	Gasbehållarens kran är stängd	Öppna gasbehållarens kran (Figur 7)
	X	X	Tändkretsen är defekt	Teknisk support
		X	Skyddsjorden är inte effektiv	Kontrollera att er elanordning har en korrekt skyddsjord
Lågan förblir inte tänd	X		Gasknappen har inte varit intryckt tillräckligt länge	Tryck på gasknappen under en längre tid (Stycke 6.1.4.)
	X	X	Generatoren är defekt	Teknisk support
Lågan släcks under drift	X	X	Otillräcklig gasförsörjning	1°Byt ut gasbehållaren (Stycke 4) 2°Teknisk support
	X	X	Ingen förgasning av bränslet	Använd gasbehållare med lämplig kapacitet (Stycke 4)
	X	X	Apparaten är för varm	1°Rengör luftintaget (baksida) 2°Teknisk support
	X	X	Generatoren är defekt	Teknisk support

SPIS TREŚCI

1...	<i>OPIS</i>
2...	<i>OSTRZEŻENIA</i>
3...	<i>RODZAJ PALIWA</i>
4...	<i>PODŁĄCZENIE I WYMIANA BUTLI GAZOWEJ</i>
5...	<i>PODŁĄCZENIE DO ŹRÓDŁA ZASILANIA</i>
6...	<i>ZAPŁON MODELI MANUALNYCH (... / ...M / ...DV / ...M DV)</i>
7...	<i>ZAPŁON MODELI ELEKTRONICZNYCH (...E / ...ET)</i>
8...	<i>REGULACJA WYDAJNOŚCI OGRZEWANIA</i>
9...	<i>WYŁĄCZANIE MODELI MANUALNYCH (... / ...M / ...DV / ...M DV)</i>
10...	<i>WYŁĄCZANIE MODELI ELEKTRONICZNYCH (...E / ...ET)</i>
11...	<i>CZYSZCZENIE I KONSERWACJA</i>
12...	<i>PODŁĄCZENIE TERMOSTATU POKOJOWEGO (...E / ...ET)</i>
13...	<i>ROZWIĄZYWANIE PROBLEMÓW</i>

pl

WAŻNE: PRZED PRZYSTĄPIENIEM DO MONTAŻU, URUCHOMIENIEM LUB KONSERWACJĄ URZĄDZENIA NALEŻY PRZECZYTAĆ ZE ZROZUMIENIEM NINIEJSZĄ INSTRUKCJĘ. NIEPRAWIDŁOWE UŻYTKOWANIE MOŻE PROWADZIĆ DO POWAŻNYCH URAZÓW. NINIEJSZĄ INSTRUKCJĘ NALEŻY ZACHOWAĆ DO WYKORZYSTANIA W PRZYSZŁOŚCI.

►► 1. OPIS

Jest to przenośny ogrzewacz powietrza pracujący na ciekłym gazie; cechy charakterystyczne to całkowite wykorzystanie paliwa oraz wymiana ciepła dzięki bezpośredniemu mieszaniu się powietrza wlotowego z produktami spalania. Urządzenie posiada praktyczny uchwyt ułatwiający przenoszenie. Ogrzewacz został wyprodukowany zgodnie ze normą EN 1596.

►► 2. OSTRZEŻENIA

► **⚠WAŻNE:** Nie należy używać tego urządzenia do ogrzewania domów i budynków mieszkalnych; użycie w budynkach użyteczności publicznej musi być zgodne z przepisami obowiązującymi w danym kraju.

► **⚠WAŻNE:** Urządzenie nie jest przeznaczone do użycia przez osoby (łącznie z dziećmi) niepełnosprawne

fizycznie i umysłowo lub nieposiadające wiedzy i doświadczenia chyba, że osoba odpowiedzialna za ich bezpieczeństwo nadzoruje jego użycie. Dzieci muszą być pod stałą opieką dla pewności, że nie bawią się urządzeniem. Zwierzęta nie powinny mieć styczności z urządzeniem.

► **⚠WAŻNE:** Nieprawidłowa eksploatacja ogrzewacza może doprowadzić do urazów, poparzeń, wybuchu, porażenia prądem, zatrucia lub utraty życia. Pierwsze symptomy zatrucia tlenkiem węgla są podobne do objawów grypy z bólem głowy, zawrotów głowy i/lub nudności. Te objawy mogą być wynikiem nieprawidłowego funkcjonowania urządzenia. JEŻELI WYSTĄPIĄ WYMIENIONE SYMPTOMY NALEŻY NATYCHMIAST WYJŚĆ NA ŚWIEŻE POWIETRZE oraz zlecić naprawę ogrzewacza kontaktując się z punktem sprzedaży.

▶ **⚠WAŻNE:** Wszystkie prace związane z czyszczeniem, konserwacją i naprawami, które wymagają dostępu to podzespołów stwarzających zagrożenie (np. wymiana uszkodzonego przewodu zasilania) powinny być wykonane przez producenta, serwis posprzedażowy lub osobę o podobnych kwalifikacjach w sposób możliwie bezpieczny nawet, jeśli przewiduje się odłączenie od głównego źródła zasilania.

▶ **2.1.** Aby poprawnie i oszczędnie użytkować urządzenie należy przestrzegać obowiązujących w danym kraju przepisów i norm.

▶ **2.2.** Ogrzewacz potrzebuje odpowiedniej ilości świeżego powietrza do poprawnego działania. Dlatego przeznaczony jest do użytku zewnętrznego lub w dobrze wentylowanych pomieszczeniach gdzie zapewniona jest wystarczająca ilość powietrza. Odpowiednią wentylację można zapewnić dostosowując moc grzewczą urządzenia do rozmiarów pomieszczenia według następującej proporcji: 1 m³ na każde 100 W mocy. W żadnym przypadku nie zaleca się, aby pomieszczenie było mniejsze niż 100 m³. Odpowiednia wymiana powietrza może być zapewniona dzięki otworowi wentylacyjnemu spełniającemu następujące wymagania: wielkość 25 cm² na 1 kW mocy grzewczej (minimum 250 cm²), umiejscowienie dokładnie pomiędzy górną a dolną częścią pomieszczenia. Montaż musi być zgodny z obowiązującymi w danym kraju normami, łącznie z normami technicznymi oraz przepisami BHP i ochrony przeciwpożarowej.

▶ **2.3.** Urządzenie może służyć wyłącznie jako źródło gorącego powietrza (tryb ogrzewania) lub jako wiatrak (tryb wentylacji, dotyczy modeli wyposażonych w tą funkcję). Należy skrupulatnie przestrzegać tych instrukcji.

▶ **2.4.** Producent nie ponosi żadnej odpowiedzialności za uszkodzenia mienia

lub urazy u osób powstałe w wyniku nieprawidłowej eksploatacji urządzenia.

▶ **2.5.** Ogrzewacz może pracować tylko na konkretnym, jasno określonym paliwie będąc podłączonym do prądu o napięciu i natężeniu podanym na tabliczce przymocowanej do urządzenia.

▶ **2.6.** Należy się upewnić czy urządzenie jest podłączone do odpowiedniej sieci elektrycznej posiadającej wyłącznik różnicowo-prądowy oraz odpowiednie uziemienie.

▶ **2.7.** Należy używać przedłużaczy posiadających odpowiednie uziemienie.

▶ **2.8.** Ogrzewacz musi być umiejscowiony na stabilnym i odpornym na ogień podłożu, aby zniwelować ryzyko pożaru.

▶ **2.9.** Zabroniona jest eksploatacja urządzenia w piwnicach i pomieszczeniach pod powierzchnią ziemi.

▶ **2.10.** Zabroniona jest eksploatacja urządzenia w miejscach składowania farb i rozpuszczalników oraz tam gdzie mogą wystąpić łatwopalne gazy lub opary.

▶ **2.11.** Jeżeli ogrzewacz jest eksploatowany w pobliżu brezentu impregnowanego, zasłon płóciennych lub podobnych materiałów należy rozważyć zastosowanie dodatkowych zabezpieczeń ognioodpornych. Należy się upewnić, że nagrzewające się części urządzenia są w odpowiedniej odległości od łatwopalnych materiałów (tkaniny, papier, drewno itd.) lub materiałów termonietrwałych (łącznie z kablem zasilania); ta odległość w żadnym wypadku nie może być mniejsza niż 2,5 m.

▶ **2.12.** Butlę gazową należy umieścić w bezpiecznej pozycji za urządzeniem (Rys 1). Ogrzewacz nigdy nie może być zwrócony w stronę butli (Rys 2).

▶ **2.13.** Przepływ powietrza przez szczelinę wentylacyjną wlotową (z tyłu) oraz szczelinę wentylacyjną wylotową (z przodu) nie może być zakłócony (Rys 3). Nie należy podłączać do ogrzewacza żadnych przewodów wentylacyjnych.

Należy upewnić się, że wloty powietrza umiejscowione przy podstawie nie są niczym zasłonięte (dotyczy modeli, w których zastosowano takie rozwiązanie).

► **2.14.** Jeżeli ogrzewacz nie uruchamia się lub uruchamia się w sposób odbiegający od normy, należy odnieść się do odpowiedniego rozdziału (Roz. 13 "ROZWIĄZYWANIE PROBLEMÓW").

► **2.15.** Podczas gdy ogrzewacz jest uruchomiony nie należy przeprowadzać prac konserwacyjnych lub go przenosić.

► **2.16.** Niezależnie od tego czy urządzenie jest eksploatowane czynnie należy sprawdzić czy przewód gazowy nie jest uszkodzony (zmiażdżony, zagięty, skręcony).

pl ► **2.17.** Jeżeli wyczuwalny jest zapach gazu należy niezwłocznie wyłączyć urządzenie, zakręcić butlę z gazem, odłączyć ogrzewacz od sieci elektrycznej, a następnie skontaktować się z serwisem.

► **2.18.** Jeżeli zachodzi potrzeba wymiany przewodu gazowego, należy zastosować przewód elastyczny ciśnieniowy odnosząc się do obowiązujących przepisów. Przewód gazowy powinien mieć długość 1,5 m.

► **2.19.** Jeżeli urządzenie jest kontrolowane za pomocą termostatu (opcja dodatkowa), ogrzewacz może włączyć się w dowolnym momencie jeżeli temperatura spadnie poniżej ustawionej wartości.

► **2.20.** W okresie gdy urządzenie nie jest eksploatowane należy odłączyć je od sieci elektrycznej, zamknąć dopływ gazu, odłączyć przewód gazowy od ogrzewacza i zatkać otwór wlotowy gazu.

► **2.21.** Urządzenie powinno być kontrolowane pod kątem poprawności działania przez serwis posprzedażowy przynajmniej raz w roku lub zgodnie z zaistniałymi potrzebami.

► ► 3. RODZAJ PALIWA

Należy używać wyłącznie gazu typu I₃B/P.

► ► 4. PODŁĄCZENIE I WYMIANA BUTLI GAZOWEJ

Butlę gazową należy wymieniać na wolnej przestrzeni z daleka od źródeł ciepła lub ognia.

Wyłącznie niżej wymieniony osprzęt może być użyty w celu podłączenia butli gazowej do ogrzewacza:

- Elastyczny przewód ciekłego gazu.
- Regulator ciśnienia gazu wraz z zaworem bezpieczeństwa.

NALEŻY SPRAWDZIĆ CZY PRZEWÓD GAZOWY NIE JEST POPEKANY. JEŻELI ZACHODZI POTRZEBA WYMIANY PRZEWODU GAZOWEGO, NALEŻY ZASTOSOWAĆ PRZEWÓD ELASTYCZNY CIŚNIENIOWY ZGODNY Z OBOWIĄZUJĄCYMI PRZEPISÓW.

► Aby podłączyć butlę gazową do ogrzewacza:

UWAGA: WSZYSTKIE GWINTY SĄ LEWE TZN, ŻE ELEMENTY NALEŻY DOKRĘCAĆ W KIERUNKU PRZECIWNYM DO RUCHU WSKAZÓWEK ZEGARA.

► **4.1.** Przykręć przewód gazowy do ogrzewacza (Rys 4).

► **4.2.** Zamontuj regulator ciśnienia na butli gazowej. Upewnij się, że regulator posiada uszczelkę (jeżeli jest ona wymagana przy danym rodzaju połączenia) (Rys 5).

► **4.3.** Podłącz przewód gazowy do regulatora ciśnienia (Rys 6).

► **4.4.** Odkręć zawór butli gazowej (Rys 7).

► **4.5.** Wciśnij przycisk zwalniający na regulatorze (Rys 8). **Sprawdź szczelność połączeń za pomocą wody mydlanej: powstające pęcherzyki wskazują na wyciek gazu (Rys 9).** Dopuszcza się połączenie ze sobą kilku butli gazowych w celu uzyskania dłuższego czasu pracy. **Przy mocy grzewczej do 33 Kw zaleca się stosowanie 30 kilogramowych butli gazowych. Powyżej 33 kW należy stosować butle o większej pojemności.**

Zaleca się użycie butli gazowych o odpowiedniej pojemności, aby zapobiec problemom spowodowanym brakiem zagazowania paliwa. Dołączony regulator lub jego odpowiednik umożliwia ustawienie odpowiedniej wartości ciśnienia, przy której urządzenie będzie działało poprawnie (patrz: tabliczka na ogrzewaczu).

►► 5. PODŁĄCZENIE DO ŹRÓDŁA ZASILANIA NALEŻY SPRAWDZIĆ CZY INSTALACJA ELEKTRYCZNA JEST POPRAWNIE UZIEMIONA.

Przed podłączeniem urządzenia do źródła zasilania należy upewnić się, że napięcie i natężenie prądu są zgodne z danymi podanymi na tabliczce umieszczonej na ogrzewaczu. Połączenie ze źródłem zasilania (Rys 10) musi być zgodne z obowiązującymi normami.

►► 6. ZAPŁON MODELI MANUALNYCH (... / ...M / ...DV / ...M DV)

WAŻNE: W przypadku modeli ...DV / ...M DV należy sprawdzić pozycję przełącznika transformatora (220-240V / 110-120V) (Rys 11). Jeżeli napięcie ustawione na urządzeniu nie odpowiada napięciu źródła zasilania, należy je dostosować. Odkręć 2 śruby pokrywy (Rys 12), przestaw przełącznik na pozycję napięcia zgodnego ze źródłem zasilania (Rys 13), a następnie ponownie zamocuj pokrywę (Rys 14).

• 6.1. TRYB OGRZEWANIA:

► 6.1.1. Ustaw przełącznik "O/I" w pozycji "I" (Rys 15).

► 6.1.2. Wciśnij do oporu i przytrzymaj przycisk gazu (Rys 16).

► 6.1.3. Kilkakrotnie wciśnij do oporu przycisk piezozapalacza (Rys 17) jednocześnie trzymając wciśnięty przycisk gazu (Rys 16).

► 6.1.4. Po zapaleniu się płomienia należy przez około 15 s trzymać wciśnięty przycisk gazu (Rys 18).

► 6.1.5. Puść przycisk gazu (Rys 19).

W przypadku odcięcia prądu lub jeśli skończy się gaz urządzenie wyłączy się i nie uruchomi się automatycznie ponownie. Musi zostać włączone ręcznie poprzez powtórzenie procedury uruchamiania.

Jeżeli ogrzewacz nie włącza się, należy odnieść się do odpowiedniego rozdziału (Roz. 13 "ROZWIĄZYWANIE PROBLEMÓW").

• 6.2. TRYB WENTYLACJI

Urządzenie może być wykorzystywane także jako wiatrak. Podłącz urządzenie do sieci elektrycznej (Rys 10) i ustaw przełącznik "O/I" w pozycji "I" (Rys 15).

N.B.: W przypadku gdy urządzenie działa w trybie ogrzewania, przed przełączeniem na tryb wentylacji należy wyłączyć urządzenie postępując zgodnie z procedurą dla modeli manualnych [Roz. 9 "WYŁĄCZANIE MODELI MANUALNYCH (... / ...M / ...DV / ...M DV)"].

►► 7. ZAPŁON MODELI ELEKTRONICZNYCH (...E / ...ET)

► 7.1. Ustaw przełącznik "O/I" w pozycji "I" (Rys 15).

► 7.2. Wciśnij przycisk "RESET" (Rys 20). Urządzenie rozpoczyna procedurę analizy; zapłon nastąpi po około 20÷30 s (patrz układ funkcjonowania Rys 21).

W przypadku odcięcia prądu lub jeśli skończy się gaz urządzenie wyłączy się i nie uruchomi się automatycznie ponownie. Należy je uruchomić ręcznie wciskając przycisk "RESET" (Rys 20).

Jeżeli ogrzewacz nie włącza się, należy odnieść się do odpowiedniego rozdziału (Roz. 13 "ROZWIĄZYWANIE PROBLEMÓW").

UWAGA: Jeżeli ogrzewacz wyłączy się na skutek działania termostatu (opcja dodatkowa), urządzenie włączy się ponownie automatycznie kiedy temperatura spadnie poniżej ustawionej wartości.

▶▶ 8. REGULACJA WYDAJNOŚCI OGRZEWANIA

Wydajność ogrzewania może być regulowana w zależności od typu ogrzewacza. Wydajność ogrzewania może być regulowana za pomocą pokrętki umiejscowionej na ogrzewaczu (Rys 22) lub przy użyciu regulatora ciśnienia gazu znajdującego się na butli z gazem (Rys 23) - w zależności od modelu.

▶▶ 9. WYŁĄCZANIE MODELI MANUALNYCH (... / ...M / ...DV / ...M DV)

▶ 9.1. Zakręć zawór butli gazowej (Rys 24).

▶ 9.2. Wiatrak powinien zostać włączony jeszcze przez około 60 s, aby zapobiec uszkodzeniom wewnętrznym na skutek przegrzania (wewnętrzne chłodzenie ogrzewacza).

▶ 9.3. Ustaw przełącznik "O/I" w pozycji "O" (Rys 25).

▶ 9.4. Odłącz urządzenie od sieci elektrycznej (Rys 26).

▶ 9.5. Odłącz urządzenie od przewodu gazowego (Rys 27-28-29).

▶▶ 10. WYŁĄCZANIE MODELI ELEKTRONICZNYCH (...E / ...ET)

▶ 10.1. Ustaw przełącznik "O/I" w pozycji "O" (Rys 25). Płomień zgaśnie, a urządzenie rozpocznie fazę post-wentylacyjną. Należy poczekać do końca cyklu, aby zapobiec uszkodzeniom wewnętrznym na skutek przegrzania (proces przebiega automatycznie i może trwać od 50 s do 5 min w zależności od wewnętrznej/zewnętrznej temperatury urządzenia).

▶ 10.2. Zakręć zawór butli gazowej (Rys 24).

▶ 10.3. Odłącz urządzenie od sieci elektrycznej (Rys 26).

▶ 10.4. Odłącz urządzenie od przewodu gazowego (Rys 27-28-29).

N.B.: Nie należy odłączać urządzenia od zasilania przed zakończeniem fazy post-wentylacyjnej, aby zapobiec uszkodzeniom wewnętrznym na skutek przegrzania.

▶▶ 11. CZYSZCZENIE I KONSERWACJA

Urządzenie powinno być kontrolowane pod kątem poprawności działania przez serwis posprzedażowy przynajmniej raz w roku lub zgodnie z wymogami. Po zakończeniu sezonu urządzenie należy wyczyścić.

▶ 11.1. Przed rozpoczęciem prac konserwacyjnych lub napraw należy wyłączyć urządzenie postępując zgodnie z procedurą dla modeli manualnych [Roz. 9 "WYŁĄCZANIE MODELI MANUALNYCH (... / ...M / ...DV / ...M DV)"] lub elektronicznych [Roz. 10 "WYŁĄCZANIE MODELI ELEKTRONICZNYCH (...E / ...ET)"].

▶ 11.2. Czyszczenie dotyczy wyłącznie otworów wentylacyjnych (z tyłu).

▶ 11.3. Przed rozpoczęciem sezonu należy sprawdzić czy przewody gazowy i zasilania nie są popękane. W przypadku jakichkolwiek wątpliwości dotyczących ich stanu należy skontaktować się z posprzedażowym serwisem technicznym.

▶ 11.4. Nie należy naprawiać urządzenia na własną rękę.

▶▶ 12. PODŁĄCZENIE TERMOSTATU POKOJOWEGO (...E / ...ET) (opcjonalne)

Usuń wtyczkę podłączoną do urządzenia, a następnie podłącz termostat (opcjonalne) (Rys 30).

Patrz: schemat przewodów (...E / ...ET).

►► 13. ROZWIĄZYWANIE PROBLEMÓW

NIEPRA- WIDŁOWE FUNKCJO- NOWANIEM ...DV ...M DV	...E ...ET	PRZYCZYNY	ROZWIĄZANIA
Silnik nie uruchamia się	X	X	Brak napięcia	1°Sprawdź sieć elektryczną 2°Skontaktuj się z serwisem posprzedażowym
	X	X	Uszkodzony przewód zasilający	Skontaktuj się z serwisem
	X	X	Wadliwy silnik	Skontaktuj się z serwisem
		X	Nieprawidłowe podłączenie termostatu pokojowego	Podłącz termostat prawidłowo
Płomień się nie zapala	X	X	Pusta butla z gazem	Wymień butlę z gazem (Roz. 4)
	X	X	Zamknięty zawór bezpieczeństwa regulatora	1°Wciśnij przycisk zwalniający gaz na regulatorze (Rys 8) 2°Skontaktuj się z serwisem posprzedażowym
	X	X	Zamknięty zawór butli gazowej	Odkręć zawór butli gazowej (Rys 7)
	X	X	Wadliwy układ zapłonu	Skontaktuj się z serwisem
		X	Nieskuteczne uziemienie	Należy sprawdzić czy instalacja elektryczna jest poprawnie uziemiona
Płomień się nie utrzymuje	X		Przycisk gazu nie został wciśnięty na dostatecznie długi czas	Naciśnij i dłużej przytrzymaj przycisk gazu (Roz. 6.1.4)
	X	X	Wadliwe urządzenie	Skontaktuj się z serwisem
Płomień gaśnie podczas pracy urządzenia	X	X	Niewystarczająca ilość gazu	1°Wymień butlę z gazem (Roz. 4) 2°Skontaktuj się z serwisem posprzedażowym
	X	X	Brak zagazowania paliwa	Użyj butli o odpowiedniej pojemności (Roz. 4)
	X	X	Przegrzanie urządzenia	1°Wyczyść otwór wentylacyjny(z tyłu) 2°Skontaktuj się z serwisem posprzedażowym
	X	X	Wadliwe urządzenie	Skontaktuj się z serwisem

СОДЕРЖАНИЕ

1...	ОПИСАНИЕ
2...	ПРЕДОСТЕРЕЖЕНИЯ
3...	ВИД ТОПЛИВА
4...	ПОДКЛЮЧЕНИЕ И ЗАМЕНА ГАЗОВОГО БАЛЛОНА
5...	ПОДКЛЮЧЕНИЕ К ИСТОЧНИКУ ПИТАНИЯ
6...	ЗАЖИГАНИЕ МАНУАЛЬНЫХ МОДЕЛЕЙ (... / ...М / ...DV / ...М DV)
7...	ЗАЖИГАНИЕ ЭЛЕКТРОННЫХ МОДЕЛЕЙ (...Е / ...ЕТ)
8...	РЕГУЛЯЦИЯ ПРОИЗВОДИТЕЛЬНОСТИ ОБОГРЕВА
9...	ВЫКЛЮЧЕНИЕ МАНУАЛЬНЫХ МОДЕЛЕЙ (... / ...М / ...DV / ...М DV)
10...	ВЫКЛЮЧЕНИЕ ЭЛЕКТРОННЫХ МОДЕЛЕЙ (...Е / ...ЕТ)
11...	ОЧИСТКА И ТЕХОБСЛУЖИВАНИЕ
12...	ПОДКЛЮЧЕНИЕ КОМНАТНОГО ТЕРМОСТАТА (...Е / ...ЕТ)
13...	УСТРАНЕНИЕ ПРОБЛЕМ

ВАЖНО: ПЕРЕД НАЧАЛОМ МОНТАЖА, ЗАПУСКА ИЛИ РАБОТ ПО ТЕХОБСЛУЖИВАНИЮ ПРИБОРА СЛЕДУЕТ ВНИМАТЕЛЬНО ОЗНАКОМИТЬСЯ С ДАННОЙ ИНСТРУКЦИЕЙ. НЕПРАВИЛЬНАЯ ЭКСПЛУАТАЦИЯ МОЖЕТ СТАТЬ ПРИЧИНОЙ СЕРЬЕЗНЫХ ТЕЛЕСНЫХ ПОВРЕЖДЕНИЙ. ДАННУЮ ИНСТРУКЦИЮ СЛЕДУЕТ СОХРАНИТЬ С ЦЕЛЬЮ ИСПОЛЬЗОВАНИЯ В БУДУЩЕМ.

►► 1. ОПИСАНИЕ

Данный прибор это переносной обогреватель воздуха, работающий на жидком газе; характерные особенности это полное использование топлива, а также обмен тепла благодаря непосредственному смешиванию входящего воздуха с продуктами сгорания. Прибор имеет практичную ручку для удобства при перемещении. Обогреватель произведен согласно норме EN 1596.

►► 2. ПРЕДОСТЕРЕЖЕНИЯ

► **⚠ВАЖНО:** Не следует употреблять этот прибор для обогрева домов и жилых помещений; использование в зданиях общественного пользования должно соответствовать положениям, которые действуют в данной стране.

► **⚠ВАЖНО:** Прибор не предназначен для использования лицами (включая детей) с физическими и умственными недостатками, или лицами, неимеющими

знаний и опыта, за исключением случаев, когда за их работой следит лицо, отвечающее за их безопасность. Дети должны быть под постоянным присмотром для уверенности, что не играют прибором. Животные не должны иметь контакта с прибором.

► **⚠ВАЖНО:** Неправильная эксплуатация обогревателя может стать причиной травм, ожогов, взрыва, поражения током, отравления или смертельных исходов. Первые симптомы отравления окисью углерода похожи на симптомы гриппа с головной болью, головокружением и/или тошнотой. Эти симптомы могут быть результатом неправильного функционирования прибора. В СЛУЧАЕ ПОЯВЛЕНИЯ УКАЗАННЫХ ВЫШЕ СИМПТОМОВ СЛЕДУЕТ НЕМЕДЛЕННО ВЫЙТИ НА СВЕЖИЙ ВОЗДУХ, а также поручить ремонт обогревателя, общаясь в пункт продажи.

▶ **⚠ВАЖНО:** Все работы, связанные с очисткой, техобслуживанием и ремонтами, которые требуют доступа к подузлам, создающим опасность (например, замена поврежденного провода питания) должны быть выполнены производителем, послепродажным сервисным пунктом или лицом с подобными квалификациями максимально безопасным способом, даже если предусмотрено отключение прибора от главного источника питания.

▶ **2.1.** Чтобы правильно и экономно пользоваться прибором следует соблюдать положения и нормы, которые действуют в данной стране.

▶ **2.2.** Для правильной работы обогреватель требует соответствующего количества свежего воздуха. Поэтому он предназначен для использования вне помещений или в помещениях с хорошей вентиляцией, где обеспечено соответствующее количество воздуха. Соответствующую вентиляцию можно обеспечить, приспособив обогревательную мощность прибора к площади помещения в соответствии со следующей пропорцией: 1 м³ на каждые 100 Вт мощности. Ни в коем случае не рекомендуется, чтобы помещение было меньше, чем 100 м³. Соответствующий обмен воздуха может быть обеспечен благодаря вентиляционному отверстию, соответствующему следующим требованиям: величина 25 см² на 1 кВт обогревательной (минимум 250 см²) мощности, размещение точно между верхней и нижней частью помещения. Монтаж должен соответствовать нормам, которые действуют в данной стране, вместе с техническими нормами, а также положениями по охране труда и технике безопасности и противопожарной защиты.

▶ **2.3.** Прибор может служить исключительно как источник горячего воздуха (режим обогрева) или как вентилятор (режим вентиляции, касается моделей, оснащенных этой функцией). Следует строго соблюдать эти указания.

▶ **2.4.** Производитель не несет никакой ответственности за повреждения имущества или телесные повреждения, которые возникли в результате неправильной эксплуатации прибора.

▶ **2.5.** Обогреватель может работать только на конкретном, строго определенном топливе, будучи подсоединенным к току с параметрами напряжения, поданными на номинальном щитке, прикрепленном к прибору.

▶ **2.6.** Следует убедиться, что прибор подключен к соответствующему источнику электрической сети, имеющему дифференциальный выключатель, а также соответствующее заземление.

▶ **2.7.** Следует пользоваться удлинителем с соответствующим заземлением.

▶ **2.8.** Обогреватель должен быть установлен на стабильном и стойком к воздействию огня основании, чтобы нивелировать риск пожара.

▶ **2.9.** Запрещается эксплуатация прибора в подвалах и помещениях под поверхностью земли.

▶ **2.10.** Запрещается эксплуатация прибора в местах складирования красок и растворителей, а также там, где могут иметь место легковоспламеняющиеся газы или пары.

▶ **2.11.** Если обогреватель используется вблизи импрегнированного брезента, полотняных штор или подобных материалов следует обдумать применение дополнительных огнеупорных элементов защиты. Следует убедиться, что нагревающиеся части прибора находятся на соответствующем расстоянии от легковоспламеняющихся материалов (ткани, бумага, древесина и т.д.) или нетермостойких материалов (включая провод питания); это расстояние ни в коем случае не может быть меньше, чем 2,5 м.

▶ **2.12.** Газовый баллон следует установить в безопасном положении за прибором (Рис. 1). Обогреватель никогда не может быть повернут в сторону баллона (Рис. 2)

▶ **2.13.** Поток воздуха через вентиляционную входную щель (сзади),

а также вентиляционную выходную щель (спереди) не может иметь препятствий (Рис. 3). Не следует подключать к обогревателю никаких вентиляционных проводов. Следует убедиться, что входные отверстия воздуха, расположенные при основании ни чем не закрыты (касается моделей, в которых применено такое решение).

► **2.14.** Если обогреватель не включается или включается не в соответствии с нормой, следует обратиться к соответствующему разделу (Разд. 13 «РЕШЕНИЕ ПРОБЛЕМ»).

► **2.15.** При включенном обогревателе нельзя проводить никаких работ по техобслуживанию или перемещать обогреватель.

► **2.16.** Независимо от того, эксплуатируется прибор или нет, следует проверять газовый провод на предмет исправности (раздавленный, перекрученный, загнутый).

► **2.17.** Если вы почувствуете запах газа, следует немедленно выключить прибор, перекрыть газовый баллон, отключить обогреватель от сети электропитания, после чего обратиться в пункт сервисного обслуживания.

► **2.18.** Если появится необходимость замены газового провода, следует применить эластичный провод, соблюдая при этом местные предписания в этой области. Газовый провод должен иметь длину 1,5 м.

► **2.19.** Если прибор управляется с помощью термостата (дополнительная опция), обогреватель может включаться в произвольном моменте, если температура снизится и будет меньше установленной величины.

► **2.20.** В период, когда прибор не используется в течение более длительного времени, его следует отключить от электрической сети, перекрыть подачу газа, отключить газовый провод от обогревателя и закрыть отверстие поступления газа.

► **2.21.** Прибор должен контролироваться на предмет правильности действия персоналом послепродажного сервисного обслуживания как минимум раз в году или по мере необходимости.

►► 3. ВИД ТОПЛИВА

Следует использовать исключительно газ типа I₃B/P.

►► 4. ПОДКЛЮЧЕНИЕ И ЗАМЕНА ГАЗОВОГО БАЛЛОНА

Газовый баллон следует заменять в открытом пространстве, на свежем воздухе, вдали от источников тепла или огня.

Исключительно перечисленное ниже оборудование может использоваться с целью подключения газового баллона к обогревателю:

- Эластичный провод жидкого газа.
- Регулятор давления газа вместе с вентилем безопасности.

СЛЕДУЕТ ПРОВЕРИТЬ, НЕТ ЛИ НА ГАЗОВОМ ПРОВОДЕ КАКИХ-ЛИБО ТРЕЩИН. В СЛУЧАЕ НЕОБХОДИМОСТИ ЗАМЕНЫ ГАЗОВОГО ПРОВОДА, СЛЕДУЕТ ИСПОЛЬЗОВАТЬ ЭЛАСТИЧНЫЙ НАПОРНЫЙ ПРОВОД, СООТВЕТСТВУЮЩИЙ ДЕЙСТВУЮЩИМ ПРЕДПИСАНИЯМ.

► Чтобы подсоединить газовый баллон к обогревателю:

ПРИМЕЧАНИЕ: ВСЕ ВИНТЫ ЛЕВЫЕ, Т.Е. ЭЛЕМЕНТЫ СЛЕДУЕТ ДОКРУЧИВАТЬ ПРОТИВ ЧАСОВОЙ СТРЕЛКИ.

► **4.1.** Прикрутить газовый провод к обогревателю (Рис. 4).

► **4.2.** Установить регулятор давления на газовом баллоне. Убедиться, что регулятор имеет прокладку (если требуется при данном виде подсоединения) (Рис. 5).

► **4.3.** Прикрутить газовый провод к регулятору давления (Рис. 6).

► **4.4.** Открутить вентиль газового баллона (Рис. 7).

► **4.5.** Нажать кнопку включения на регуляторе (Рис. 8). Проверить соединения на предмет плотности с помощью мыльной воды: образующиеся пузырьки свидетельствуют об утечке газа (Рис. 9). Допускается соединение между собой нескольких газовых баллонов с целью получения максимального времени работы. При мощности обогрева до

33 кВт рекомендуется применение 30 килограммовых газовых баллонов. Свыше 33 кВт следует применять баллон большего объема. Рекомендуется использование газовых баллонов соответствующего объема, чтобы предотвратить проблемы, вызванные отсутствием загазирования топлива. Прилагаемый регулятор или его эквивалент дает возможность установить соответствующие величины давления, при которых прибор будет работать правильно (см.: номинальный щиток на обогревателе).

►► 5. ПОДКЛЮЧЕНИЕ К ИСТОЧНИКУ ПИТАНИЯ СЛЕДУЕТ ПРОВЕРИТЬ, ПРАВИЛЬНО ЛИ ЗАЗЕМЛЕНА ЭЛЕКТРИЧЕСКАЯ ПРОВОДКА.

Перед подключением прибора к источнику питания следует убедиться, что напряжение тока соответствует данным, указанным на номинальном щитке обогревателя. Подключение к источнику питания (Рис. 10) должно быть выполнено в соответствии с действующими предписаниями.

►► 6. ЗАЖИГАНИЕ МАНУАЛЬНЫХ МОДЕЛЕЙ (... / ...М / ...DV / ...М DV)

ВАЖНО: В случае моделей ...DV / ...М DV следует проверить положение переключателя трансформатора (220-240В / 110-120В) (Рис. 11). Если напряжение, установленное на приборе, не соответствует напряжению источника питания, его следует отрегулировать. Открутить 2 винта крышки (Рис. 12), переставить переключатель в положение напряжения, соответствующего источнику питания (Рис. 13), после чего повторно прикрепить крышку (Рис. 14).

• 6.1. РЕЖИМ ОБОГРЕВА:

► 6.1.1. Установить переключатель «O/I» в положении «I» (Рис. 15).

► 6.1.2. Нажать до упора и придержать кнопку газа (Рис. 16)

► 6.1.3. Несколько раз нажать до упора кнопку пьезозажигалки (Рис. 17),

одновременно придерживая кнопку газа (Рис. 16).

► 6.1.4. После того, как разгорится пламя, следует в течение 15 секунд придержать кнопку газа (Рис. 18).

► 6.1.5. Отпустить кнопку газа (Рис. 19).

В случае отключения тока или отсутствия газа в газовом баллоне прибор отключится и не включится автоматически. Его следует включить вручную, повторяя процедуру запуска.

Если обогреватель не включается, следует обратиться к соответствующему разделу (Разд. 13 «РЕШЕНИЕ ПРОБЛЕМ»).

• 6.2. РЕЖИМ ВЕНТИЛЯЦИИ

Прибор можно также использовать как вентилятор. Подключите прибор к электрической сети (Рис. 10) и установите переключатель «O/I» в положении «I» (Рис. 15).

ВАЖНО: в случае, когда прибор работает в режиме обогрева, перед переключением в режим вентиляции следует выключить прибор, действуя в соответствии с процедурой для мануальных моделей [Разд. 9 «ВЫКЛЮЧЕНИЕ МАНУАЛЬНЫХ МОДЕЛЕЙ (... / ...М / ...DV / ...М DV)»].

►► 7. ЗАЖИГАНИЕ ЭЛЕКТРОННЫХ МОДЕЛЕЙ (...E / ...ET)

► 7.1. Установить переключатель «O/I» в положении «I» (Рис. 15).

► 7.2. Нажать кнопку «RESET» (Рис. 20).

Прибор начнет процедуру анализа; зажигание произойдет по истечении 20÷30 секунд (см. схему функционирования Рис. 21).

В случае отключения тока или отсутствия газа в газовом баллоне прибор отключится и включится автоматически. Его следует включить вручную, нажимая кнопку «RESET» (Рис. 20).

Если обогреватель не включается, следует обратиться к соответствующему разделу (Разд. 13 «РЕШЕНИЕ ПРОБЛЕМ»).

ПРИМЕЧАНИЕ: Если обогреватель выключится в результате срабатывания термостата (дополнительная опция), прибор включится повторно автоматически, когда температура снизится ниже установленной величины.

►► 8. РЕГУЛЯЦИЯ ПРОИЗВОДИТЕЛЬНОСТИ ОБОГРЕВА

Производительность обогрева можно регулировать в зависимости от типа обогревателя. Производительность обогрева можно регулировать с помощью ручки, расположенной на обогревателе (Рис. 22) или с помощью регулятора давления газа, который находится на баллоне с газом (Рис. 23) - в зависимости от модели.

►► 9. ВЫКЛЮЧЕНИЕ МАНУАЛЬНЫХ МОДЕЛЕЙ (... / ...М / ...DV / ...М DV)

► 9.1. Закрыть вентиль газового баллона (Рис. 24).

► 9.2. Вентилятор должен быть включен еще в течение около 60 сек., чтобы предотвратить внутренние повреждения в результате перегрева (внутреннее охлаждение обогревателя).

► 9.3. Установить переключатель «O/I» в положении «O» (Рис. 25).

► 9.4. Отключить прибор от сети электропитания (Рис. 26).

► 9.5. Отключить прибор от газового провода (Рис. 27-28-29).

►► 10. ВЫКЛЮЧЕНИЕ ЭЛЕКТРОННЫХ МОДЕЛЕЙ (...Е / ...ЕТ)

► 10.1. Установить переключатель «O/I» в положении «O» (Рис. 25). Пламя погаснет, а прибор начнет фазу пост-вентиляции. Следует подождать до конца цикла во избежание внутренних повреждений в результате перегрева (процесс происходит автоматически, и может длиться от 50 сек. до 5 мин. в зависимости от внутренней/внешней температуры прибора).

► 10.2. Открутить вентиль газового баллона (Рис. 24).

► 10.3. Отключить прибор от сети электропитания (Рис. 26).

► 10.4. Отключить прибор от газового провода (Рис. 27-28-29).

Важно: Не следует отключать прибор от источника питания перед завершением фазы пост-вентиляции, чтобы предотвратить внутренние повреждения в результате перегрева.

►► 11. ОЧИСТКА И ТЕХОБСЛУЖИВАНИЕ

Прибор должен контролироваться на предмет правильности действия персоналом послепродажного сервисного обслуживания как минимум раз в году или в соответствии с требованиями. По окончании сезона прибор следует очистить.

► 11.1. Перед началом работ по техобслуживанию или ремонтных работ следует выключить прибор, действуя в соответствии с процедурой для мануальных моделей [Разд. 9 «ВЫКЛЮЧЕНИЕ МАНУАЛЬНЫХ МОДЕЛЕЙ (... / ...М / ...DV / ...М DV)»] или электронных [Разд. 10 «ВЫКЛЮЧЕНИЕ ЭЛЕКТРОННЫХ МОДЕЛЕЙ (...Е)»].

► 11.2. Очистка относится только к вентиляционным отверстиям (сзади).

► 11.3. Перед началом сезона следует проверить, не потрескались ли газовые провода и провода питания. В случае каких-либо сомнений касательно их состояния следует связаться с послепродажным сервисным пунктом.

► 11.4. Не следует ремонтировать прибор самостоятельно.

►► 12. ПОДКЛЮЧЕНИЕ КОМНАТНОГО ТЕРМОСТАТА (...Е / ...ЕТ) (опция)

Удалить вилку, подключенную к прибору, после чего подключить термостат (опция) (Рис. 30).

См.: схема проводов (...Е / ...ЕТ).

►► 13. УСТРАНЕНИЕ НЕПОЛАДОК

НЕПРАВИЛЬНОЕ ФУНКЦИОНИРОВАНИЕМ ...DV ...М DV	...Е ...ЕТ	ПРИЧИНЫ	РЕШЕНИЯ
Двигатель не включается	X	X	Нет напряжения	1° Проверить электрическую сеть 2° Связаться с пунктом послепродажного обслуживания
	X	X	Поврежден провод питания	Связаться с пунктом сервисного обслуживания
	X	X	Дефектный двигатель	Связаться с пунктом сервисного обслуживания
		X	Неправильное подключение комнатного термостата	Правильно подключить термостат
Огонь не загорается	X	X	Пустой газовый баллон	Заменить газовый баллон (Разд. 4)
	X	X	Перекрыть вентиль безопасности регулятора	1° Нажать кнопку подачи газа на регуляторе (Рис. 8) 2° Связаться с пунктом послепродажного обслуживания
	X	X	Закрывать вентиль газового баллона	Открыть вентиль газового баллона (Рис. 7)
	X	X	Дефектный уклад воспламенения	Связаться с пунктом сервисного обслуживания
		X	Неэффективное заземление	Следует проверить, правильно ли заземлена электрическая проводка
Огонь не удерживается	X		Кнопка газа не была нажата на достаточно долгое время	Нажать и дольше придержать кнопку газа (Разд. 6.1.4)
	X	X	Дефектный прибор	Связаться с пунктом сервисного обслуживания
Пламя угасает во время работы прибора	X	X	Недостаточное количество газа	1° Заменить газовый баллон (Разд. 4) 2° Связаться с пунктом послепродажного обслуживания
	X	X	Нет загазирования топлива	Воспользоваться баллоном соответствующего объема (Разд. 4)
	X	X	Перегрев прибора	1° Очистить вентиляционное отверстие (сзади) 2° Связаться с пунктом послепродажного обслуживания
	X	X	Дефектный прибор	Связаться с пунктом сервисного обслуживания

Срок эксплуатации оборудования 5 лет.

REJSTŘÍK ODSTAVCŮ

1...	POPIS
2...	UPOZORNĚNÍ
3...	TYP PALIVA
4...	ZAPOJENÍ A VÝMĚNA PLYNOVÉ BOMBY
5...	ZAPOJENÍ K ELEKTRICKÉ SÍTI
6...	ZAPNUTÍ MANUÁLNÍCH MODELŮ (... / ...M / ...DV / ...M DV)
7...	ZAPNUTÍ ELEKTRONICKÝCH MODELŮ (...E / ...ET)
8...	NASTAVENÍ TEPELNÉHO VÝKONU
9...	VYPNUTÍ MANUÁLNÍCH MODELŮ (... / ...M / ...DV / ...M DV)
10...	VYPNUTÍ ELEKTRONICKÝCH MODELŮ (...E / ...ET)
11...	ČIŠTĚNÍ A ÚDRŽBA
12...	ZAPOJENÍ TERMOSTATU PROSTŘEDÍ (...E / ...ET)
13...	ANOMÁLIE PROVOZU, PŘÍČINY A NÁPRAVY

DŮLEŽITÉ: PŘEČTĚTE SI A SPRÁVNĚ POCHOPTĚ TUTO OPERATIVNÍ PŘÍRUČKU PŘED MONTÁŽÍ, UVEDENÍM DO PROVOZU ANEBU ÚDRŽBOU TOHOTO GENERÁTORU. NESPRÁVNÉ POUŽITÍ MŮŽE ZAPŘÍČINIT VÁŽNÁ PORANĚNÍ. UCHOVÁVEJTE TUTO PŘÍRUČKU PRO BUDOUCÍ KONZULTACE.

►► 1. POPIS

Tento generátor je přenosný ohřívač vzduchu, který pracuje na kapalný plyn; je charakterizován úplným využitím paliva na základě výměny tepla přímým mícháním nasávaného vzduchu a produktů spalování. Je vybaven praktickou rukojetí pro snadnou přepravu a manipulaci. Příklad je vyroben v souladu s EN 1596.

►► 2. UPOZORNĚNÍ

►⚠**DŮLEŽITÉ:** Nepoužívejte pro vytápění obytných prostor bytových domů; pro použití ve veřejných budovách dodržujte příslušné národní předpisy.

►⚠**DŮLEŽITÉ:** Tento přístroj není určen k použití ze strany osob (včetně dětí) se sníženými fyzickými, smyslovými nebo mentálními vlastnostmi, nebo osob nezkušených, pokud nejsou pod

přímým dohledem osoby, která je odpovědná za jejich bezpečnost. Děti musí být kontrolovány, aby si s přístrojem nehrály. Udržujte zvířata v bezpečné vzdálenosti od přístroje.

►⚠**DŮLEŽITÉ:** Nesprávné použití tohoto generátoru může zapříčinit škody nebo ohrožení života osob, zranění, popáleniny, výbuchy, elektrické šoky anebo otravy. První příznaky asfixie kyslíčnickem uhelnatým se podobají chřipce, s bolestmi hlavy, točením hlavy a/ anebo nucením k zvracení. Tyto příznaky mohou být zapříčiněny nesprávným fungováním generátoru. V PŘÍPADĚ VÝSKYTU TĚCHTO PŘÍZNAKŮ OKAMŽITĚ VYJDĚTE VEN NA OTEVŘENÉ PROSTRANSTVÍ a nechte opravit generátor technickou servisní službou.

▶ **⚠DŮLEŽITÉ:** Všechny úkony čištění, údržby a opravy, které předpokládají přístup k nebezpečným částem (např. výměna poškozeného napájecího kabelu), musí provádět výrobce, jeho technická servisní služba, osoba s podobnou kvalifikací, aby se zabránilo jakémukoli riziku; a to i v případě, že zařízení bude odpojeno od napájecí sítě.

▶ **2.1.** Pro správné použití generátoru a uchovávání paliva dodržujte všechny platné místní výnosy a předpisy.

▶ **2.2.** Generátor si pro provoz vyžaduje dostatečnou cirkulaci vzduchu. Proto by měl být používán na otevřeném prostranství nebo v místnostech s trvalou a zajištěnou výměnou vzduchu. Dobré větrání je zajištěno, když je objem místnosti kalkulován úměrně k tepelnému výkonu, s formulí 1 m³ na každých 100 W výkonu. V žádném případě doporučený objem v místnosti nesmí být menší než 100 m³. Dobrá ventilace je zajištěna otvorem, který odpovídá vzorci 25 cm² na kW tepelného výkonu, s nejméně 250 cm², rovnoměrně rozděleným mezi horní a dolní části místnosti. Pro instalaci platí platné místní pravidla a předpisy, včetně technických norem a předpisů o protiúrazové ochraně a prevenci vzniku požárů.

▶ **2.3.** Přístroj musí být používán pouze jako generátor horkého vzduchu (režim vytápění) anebo ventilátor (režim větrání, pro modely, které mají tuto funkci). Při použití pečlivě dodržujte tyto pokyny.

▶ **2.4.** Výrobce se zříká jakékoliv odpovědnosti za škody na majetku a/nebo osobách, vyplývajících z nesprávného použití přístroje.

▶ **2.5.** Napájejte generátor jenom přesně stanoveným druhem paliva a s proudem o napětí a frekvenci, které odpovídají

údajům uvedeným na identifikačním štítku přístroje.

▶ **2.6.** Ujistěte se, že je generátor zapojen pouze k elektrickým sítím, které jsou adekvátně vybaveny diferenčním přepínačem a řádně uzemněny.

▶ **2.7.** Používejte výhradně prodlužovací kabely s odpovídající sekci a s vodičem uzemnění.

▶ **2.8.** Generátor musí pracovat na rovném, stabilním a nehořlavém povrchu, aby se zabránilo rizikům požáru.

▶ **2.9.** Je absolutně zakázáno používat generátor v suterénech nebo pod úrovní terénu.

▶ **2.10.** Generátor nesmí být používán v místnostech, kde je přítomen výbušný prach, výpary, plyn, paliva, ředidla, barvy.

▶ **2.11.** Pokud je generátor používán v blízkosti plachet, stanů nebo podobných materiálů na pokrytí, doporučuje se použít dodatečnou ochranu nehořlavého typu. Ujistěte se udržovat bezpečnou vzdálenost, která v žádném případě nesmí být menší než 2,5 m od hořlavých materiálů (textilie, papír, dřevo, atd..) anebo termolabilních materiálů (včetně napájecího kabelu) od horkých částí generátoru.

▶ **2.12.** Umístěte plynovou bombu do chráněné polohy, dozadu za přístroj (Obr. 1). Generátor nesmí být nasměrován k plynové bombě (Obr. 2).

▶ **2.13.** Z jakéhokoliv důvodu je zakázáno zcela nebo zčásti blokovat přívod vzduchu (zadní strana) a/nebo odvod vzduchu (přední strana) (Obr. 3). Vyvarujte se použití jakýchkoli vzduchových potrubí z/do generátoru. Ujistěte se, že větrací otvory pro přívod vzduchu na spodní straně základu nejsou ucpány (u modelů, které jsou vybaveny tímto řešením).

► **2.14.** V případě chybějícího zapnutí anebo anomálního zapnutí generátoru konzultujte příslušnou část (Odst. "13. ANOMÁLIE PROVOZU, PŘÍČINY A NÁPRAVY").

► **2.15.** Když je generátor v provozu, nesmí být nikdy přesunován, manipulován ani podrobován jakémukoliv údržbářskému zásahu.

► **2.16.** V jakékoli provozní podmínce nebo klidovém stavu přístroje dávejte pozor, aby nedošlo k poškození flexibilní plynové hadice (zhmoždění, zalomení, přiškrcení, napnutí).

► **2.17.** Pokud ucítíte zápach plynu, přístroj okamžitě vypněte, zavřete plynovou bombu, odpojte zástrčku ze sítě a zavolejte technickou servisní službu.

CS ► **2.18.** V případě výměny plynové hadice používejte pouze hadice flexibilního typu, které odpovídají provoznímu tlaku; respektujte národní předpisy. Plynová hadice musí být dlouhá 1,5 m.

► **2.19.** Pokud je přístroj kontrolován termostatem prostředí (volitelný prvek), může se generátor zapnout v kterémkoli momentu, to znamená když teplota klesne pod nastavenou hranici.

► **2.20.** Pokud přístroj není používán, odpojte jej od síťové zásuvky, uzavřete plynové napájení, odpojte plynovou hadici od generátoru a ucpete přívodní otvor plynu na přístroji.

► **2.21.** Nejméně jednou za rok a/nebo podle potřeby nechte zkontrolovat správné fungování generátoru technickou službou.

►► **3. TYP PALIVA**

Používejte výhradně plyn kategorie I₃B/P.

►► **4. ZAPOJENÍ A VÝMĚNA PLYNOVÉ BOMBY**

Plynová bomba se musí vyměňovat na otevřeném prostranství, daleko od zdrojů tepla, v atmosféře bez přítomnosti plamenů.

Chcete-li připojit plynovou bombu ku generátoru, je zapotřebí použít pouze následující příslušenství:

- Flexibilní hadice pro kapalný plyn.
- Regulátor tlaku pro kapalný plyn, vybavený pojistným ventilem.

ZKONTROLUJTE INTEGRITU NAPÁJECÍ PLYNOVÉ HADICE. V PŘÍPADĚ, ŽE TATO MUSÍ BÝT VYMĚNĚNA, POUŽÍVEJTE POUZE HADICE FLEXIBILNÍHO TYPU, KTERÉ ODPOVÍDAJÍ PROVOZNÍMU TLAKU; RESPEKTUJTE NÁRODNÍ PŘEDPISY.

► Pro zapojení generátoru k plynové bombě:

UPOZORNĚNÍ: VEŠKERÉ ZÁVITY JSOU LEVOSMĚRNÉ, TO ZNAMENÁ, ŽE SE UTAHUJÍ V PROTISMĚRU HODIN.

► **4.1.** Zapojte plynovou hadici ke spoji generátoru (Obr. 4).

► **4.2.** Namontujte regulátor tlaku na plynovou bombu. Ujistěte se, že je regulátor vybaven těsněním (pokud si to přípoj vyžaduje) (Obr. 5).

► **4.3.** Zapojte plynovou hadici k regulátoru tlaku (Obr. 6).

► **4.4.** Otevřete kohout plynové bomby (Obr. 7).

► **4.5.** Stiskněte tlačítko pro odblokování regulátoru (Obr. 8). **Zkontrolujte těsnost spojů mýdlovou vodou: přítomnost bublin znamená eventuální úniky plynu (Obr. 9).** Je rovněž možné přepojit navzájem mezi sebou několik plynových bomb pro zajištění delší autonomie přístroje. **Doporučuje se používat plynové bomby o hmotnosti 30 kg až do tepelného výkonu 33 kW; s výkonem vyšším než 33 kW**

použijte plynové bomby s vyšší kapacitou. Doporučuje se používat plynové bomby odpovídající kapacity, aby nedocházelo k chybějícímu plynofikování paliva. Správný provozní tlak (pozři štítek s údaji aplikován na generátoru) závisí od dodaného regulátoru, anebo od ekvivalentního modelu.

▶▶ 5. ZAPOJENÍ K ELEKTRICKÉ SÍTI ZKONTROLUJTE SPRÁVNÉ UZEMNĚNÍ VAŠEHO ELEKTRICKÉHO ZAŘÍZENÍ.

Před zapojením generátoru k elektrické síti se ujistěte, zda jsou napájecí napětí a frekvence správná (pozři štítek s údaji aplikován na generátoru). Zapojení k elektrické síti (Obr. 10) se musí provádět v souladu s platnými národními normami.

▶▶ 6. ZAPNUTÍ MANUÁLNÍCH
MODELŮ (... / ...M / ...DV / ...M DV)
DŮLEŽITÉ: Pro modely ...DV / ...M DV
zkontrolujte polohu přepínače změny
napětí (220-240V / 110-120V) (Obr. 11).
Pokud napětí nastaveno na přístroji
neodpovídá napětí dodávanému
ze sítě, je nezbytné jej přizpůsobit.
Odšroubujte 2 upevňující šrouby z
krytu (Obr. 12), přepněte vypínač na
napětí dodávané ze sítě (Obr. 13) a
opětovně kryt namontujte (Obr. 14).

• 6.1. REŽIM VYTÁPĚNÍ:

▶ 6.1.1. Nastavte vypínač "O/I" do polohy "I" (Obr. 15).

▶ 6.1.2. Stiskněte na doraz plynové tlačítko a podržte jej stisknuté (Obr. 16).

▶ 6.1.3. Aktivujte opakovaně a na doraz piezoelektrický zapalovač (Obr. 17), udržujíc plynové tlačítko stisknuté (Obr. 16).

▶ 6.1.4. Po zapnutí plamene podržte plynové tlačítko stisknuté ještě zhruba 15 vteřin (Obr. 18).

▶ 6.1.5. Pustěte plynové tlačítko (Obr. 19).

V případě přerušení dodávky elektrické energie anebo v případě chybějícího plynu se přístroj vypne. Opětovné zapnutí přístroje není automatické, je zapotřebí jej zopakovat manuálně podle popsané procedury zapnutí.

Pokud se přístroj nezapne, konzultujte příslušnou část (Odst. "13. ANOMÁLIE PROVOZU, PŘÍČINY A NÁPRAVY").

• 6.2. REŽIM VENTILACE:

Generátor se může používat i jako ventilátor. Zapojte generátor k elektrické síti (Obr. 10) a nastavte vypínač "O/I" do polohy "I" (Obr. 15).

Pozn.: Pokud generátor funguje v režimu vytápění a chcete přejít do režimu ventilátor, je nezbytné nejdřív vykonat správnou proceduru vypnutí, co se týče modelů s manuálním ovládáním [Odst. "9. VYPNUTÍ MANUÁLNÍCH MODELŮ (... / ...M / ...DV / ...M DV)"].

▶▶ 7. ZAPNUTÍ ELEKTRONICKÝCH MODELŮ (...E / ...ET)

▶ 7.1. Nastavte vypínač "O/I" do polohy "I" (Obr. 15).

▶ 7.2. Stiskněte tlačítko "RESET" (Obr. 20).

Generátor spustí sekvenci analýzy a po zhruba 20÷30 vteřinách se plamen zapálí (pozři schéma fungování Obr. 21).

V případě přerušení dodávky elektrické energie anebo v případě chybějícího plynu se přístroj vypne. Opětovné zapnutí přístroje není automatické, je zapotřebí jej zopakovat manuálně stisknutím tlačítka "RESET" (Obr. 20).

Pokud se přístroj nezapne, konzultujte příslušnou část (Odst. "13. ANOMÁLIE PROVOZU, PŘÍČINY A NÁPRAVY").

UPOZORNĚNÍ: Pokud se přístroj zastaví v důsledku zásahu termostatu prostředí (volitelný prvek), opětovné zapnutí generátoru bude automatické, když teplota klesne pod nastavenou hranici.

►► 8. NASTAVENÍ TEPELNÉHO VÝKONU

V závislosti od typu generátoru je možné regulovat tepelný výkon přístroje. Tepelný výkon se reguluje působením na rukojeť, nacházející se na bázi generátoru (Obr. 22), anebo prostřednictvím tlakového regulátoru, nainstalovaného na plynové bombě (Obr. 23); v závislosti od modelu.

►► 9. VYPNUTÍ MANUÁLNÍCH MODELŮ (... / ...M / ...DV / ...M DV)

- 9.1. Zavřete plynovou bombu (Obr. 24).
- 9.2. Nechte fungovat ventilátor zhruba 60 vteřin, aby nedošlo k poškození vnitřních částí následkem přehřátí (vnitřní ochlazení generátoru).
- 9.3. Nastavte vypínač "O/I" do polohy "O" (Obr. 25).
- 9.4. Odpojte generátor od elektrické sítě (Obr. 26).
- 9.5. Odpojte generátor od napájecí plynové hadice (Obr. 27-28-29).

►► 10. VYPNUTÍ ELEKTRONICKÝCH MODELŮ (...E / ...ET)

- 10.1. Nastavte vypínač "O/I" do polohy "O" (Obr. 25). Plamen zhasne a generátor se uvede do fáze post-ventilace. Počkejte ukončení cyklu, aby nedošlo k poškození vnitřních částí následkem přehřátí (fáze je automatická a může trvat od 50 vteřin do 5 minut v závislosti od vnitřní/vnější teploty generátoru).
- 10.2. Zavřete plynovou bombu (Obr. 24).
- 10.3. Odpojte generátor od elektrické sítě (Obr. 26).

► 10.4. Odpojte generátor od napájecí plynové hadice (Obr. 27-28-29).

Pozn.: Vyhýbejte se odpojení generátoru od elektrické sítě dřív než dojde k ukončení fáze post-ventilace, aby nedošlo k poškození vnitřních částí následkem přehřátí.

►► 11. ČIŠTĚNÍ A ÚDRŽBA

Nejméně jednou za rok a/nebo podle potřeby nechte zkontrolovat správné fungování generátoru technickou službou. Před uložením na místo se musí generátor pečlivě vyčistit.

► 11.1. Před jakýmkoli údržbářským zásahem, úkonem nebo opravou přístroje vykonejte sekvenci vypnutí [Odst. "9. VYPNUTÍ MANUÁLNÍCH MODELŮ (... / ...M / ...DV / ...M DV)" o "10. VYPNUTÍ ELEKTRONICKÝCH MODELŮ (...E / ...ET)"].

► 11.2. Čištění se vztahuje pouze na přívodní otvor vzduchu (zadní strana) generátoru.

► 11.3. Když je přístroj používán, kontrolujte stav plynové hadice a napájecího kabelu; pokud máte pochybnosti o jejich integritě, zavolejte technickou servisní službu.

► 11.4. Neprovádějte neoprávněné zásahy.

►► 12. ZAPOJENÍ TERMOSTATU PROSTŘEDÍ (...E / ...ET) (volitelný prvek)

Odstraňte uzávěr na přístroji a zapojte termostat prostředí (volitelný prvek) (Obr. 30).

Konzultujte elektrické schéma (...E / ...ET).

►► 13. ANOMÁLIE PROVOZU, PŘÍČINY A NÁPRAVY

ANOMÁLIE FUNKOVÁNÍM ...DV ...M DV	...E ...ET	PŘÍČINY	NÁPRAVY
Motor se nespustí	X	X	Chybí napětí	1° Zkontrolujte zařízení sítě 2° Technická asistence
	X	X	Napájecí kabel poruchový/ poškozený	Technická asistence
	X	X	Motor poruchový	Technická asistence
		X	Chybné zapojení termostatu prostředí	Zapojte správně termostat prostředí
Plamen se nezažihá	X	X	Plynová bomba je prázdná	Vyměňte plynovou bombu (Odst. 4)
	X	X	Pojistný ventil regulátoru zablokován	1° Stiskněte tlačítko pro odblokování plynu regulátoru (Obr. 8) 2° Technická asistence
	X	X	Kohout plynové bomby zavřený	Otevřete kohout plynové bomby (Obr. 7)
	X	X	Okruh zapnutí poruchový	Technická asistence
		X	Uzemnění nedostatečné	Zkontrolujte správné uzemnění vašeho zařízení
Plamen nezůstane rozsvícen	X		Plynové tlačítko nebylo stisknuto dostatečně dlouhou dobu	Stiskněte plynové tlačítko po delší dobu (Odst. 6.1.4.)
	X	X	Generátor poruchový	Technická asistence
Vypnutí plamene během provozu	X	X	Nedostatečný přívod plynu	1° Vyměňte plynovou bombu (Odst. 4) 2° Technická asistence
	X	X	Chybí plynofikace paliva	Používejte plynové bomby adekvátní kapacity (Odst. 4)
	X	X	Přehřátí přístroje	1° Vyčistěte přívod vzduchu (zadní strana) 2° Technická asistence
	X	X	Generátor poruchový	Technická asistence

TARTALOM

1...	LEÍRÁS
2...	FIGYELMEZTETÉSEK
3...	TÜZELŐANYAG-TÍPUS
4...	A GÁZPALACK BEKÖTÉSE ÉS CSERÉJE
5...	BEKÖTÉS AZ ELEKTROMOS HÁLÓZATBA
6...	A KÉZI ÜZEMELTETÉSŰ KÉSZÜLÉKEK BEKAPCSOLÁSA (... / ...M / ...DV / ...M DV)
7...	A KÉZI ÜZEMELTETÉSŰ KÉSZÜLÉKEK BEKAPCSOLÁSA (...E / ...ET)
8...	A HŐTELJESÍTMÉNY BEÁLLÍTÁSA
9...	A KÉZI ÜZEMELTETÉSŰ KÉSZÜLÉKEK KIKAPCSOLÁSA (... / ...M / ...DV / ...M DV)
10...	AZ ELEKTROMOS KÉSZÜLÉKEK KIKAPCSOLÁSA (...E / ...ET)
11...	TISZTÍTÁS ÉS KARBANTARTÁS
12...	A SZOBATERMOSZTÁT BEKÖTÉSE (...E / ...ET)
13...	MEGHIBÁSODÁSOK, OKOK, MEGOLDÁS

FONTOS: A BERENDEZÉS ÖSSZESZERELÉSE ÉS ÜZEMBEHELYEZÉSE ELŐTT OLVASSA EL FIGYELMESEN A JELEN HASZNÁLATI ÚTMUTATÓT. A BERENDEZÉS NEM RENDELTETÉSSZERŰ HASZNÁLATA SÚLYOS SÉRÜLÉSEKET OKOZHAT. ŐRIZZE MEG AZ ÚTMUTATÓT, MERT A KÉSŐBBIEKBEN MÉG SZÜKSÉGE LEHET RÁ.

► 1. LEÍRÁS

A jelen berendezés egy folyékony gázzal üzemelő hordozható léghevítő, amely a beszívott levegő és az égéstermék közvetlen keveréséből eredő hőcserélő folyamatnak köszönhetően a tüzelőanyagot 100%-ban kihasználja. A készülék rendelkezik egy a szállítást és mozgatást megkönnyítő fogantyúval. A berendezés az EN 1596 szabvány előírásainak megfelelően készült.

► 2. FIGYELMEZTETÉSEK

► **⚠FONTOS:** Ne használja lakóépületek fűtésére. Középületekben való használat esetén tájékozódjon a hatályos jogszabályokról.

► **⚠FONTOS:** A készüléket csökkent értelmi, fizikai képességű vagy megfelelő tapasztalattal nem

rendelkező személyek (beleértve a gyermekeket is) nem használhatják, kivéve, ha biztonságukról gondosodik egy a készülék használatát felügyelő személy. A gyermekeknek ne engedje, hogy játsszanak a készülékkel. A háziállatokat tartsa a készüléktől biztonságos távolságban.

► **⚠FONTOS:** A léghevítő nem rendeltetésszerű használata égési sérüléseket, robbanást, áramütést, mérgezést vagy egyéb károkat ill. sérüléseket okozhat. A szén-monoxid mérgezés első jelei hasonlítanak az influenza tüneteihez: fejfájás, szédülés és/vagy hányinger. Ezen tüneteket a léghevítő meghibásodása okozhatja. **HA A FENTI TÜNETEKET ÉSZLELI, HALADÉKTALANUL MENJEN FRISS LEVEGŐRE,** és a készüléket javíttassa meg a műszaki szolgálattal.

▶ **⚠️ FONTOS:** Minden olyan tisztítási, karbantartási és javítási művelet esetében, amely veszélyes területen való munkavégzést igényel (pl. a sérült vezeték cseréje), forduljon a gyártóhoz, márkaszervizhez vagy szerelőhöz. Így elkerülheti a művelet jelentette kockázatokat (bár ezen munkavégzések során a készülék áramtalanítva van).

▶ **2.1.** Ami a berendezés használatát és a tüzelőanyag tárolását illeti, kövesse az ön országában hatályos előírásokat.

▶ **2.2.** A léghevítő működéséhez szükség van megfelelő szellőzésre. Ezért a léghevítőt a szabadban vagy jól szellőző zárt területen használja. A szellőzés akkor megfelelő, ha a helyiség térfogatát az alábbi módon számítja ki: $1 \text{ m}^3 / 100 \text{ W}$ teljesítmény. A helyiség ajánlott mérete nem lehetnek kisebb mint 100 m^3 . A szellőzés akkor tekinthető megfelelőnek, ha a szellőzőnyílás kielégíti az alábbi feltételeket: $25 \text{ cm}^2 / 1 \text{ kW}$ hőteljesítmény, de legalább 250 cm^2 , amely egyenletesen oszlik meg a helyiség alsó és felső része között. A telepítéskor vegye figyelembe a felhasználási országban hatályos jogszabályokat valamint a tűzvédelmi és balesetmegelőzési előírásokat.

▶ **2.3.** A berendezést kizárólag léghevítőként (fűtés üzemmódban) vagy ventilátorként (ventilátor módban - azon modellek esetében, amelyek rendelkeznek ilyen funkcióval) használja. A használat során tartsa be az utasításokat.

▶ **2.4.** A gyártó nem vonható felelősségre a berendezés nem rendeltetésszerű használatából eredő károkért és/vagy személyi sérüléskért.

▶ **2.5.** A berendezést csak a megadott típusú tüzelőanyaggal és a készüléken elhelyezett táblának megfelelő feszültségen és frekvenciaértéken használja.

▶ **2.6.** A készüléket csak megfelelő földeléssel és differenciál megszakítóval felszerelt hálózatra csatlakoztassa.

▶ **2.7.** Csak megfelelő keresztmetszetű földelt hosszabbítókat használjon.

▶ **2.8.** A tűzveszély elkerülése érdekében helyezze a léghevítőt vízszintes, stabil tűzálló felületre.

▶ **2.9.** A berendezést alagsorban vagy pincehelyiségekben használni tilos.

▶ **2.10.** A léghevítőt ne használja olyan helyiségekben, amelyekben robbanásveszélyes por, füst, gáz, üzemanyag, oldószer vagy festék van.

▶ **2.11.** Ha a berendezést ponyvák, sátorlapok vagy egyéb takaróanyagok közelében használja, tanácsos tűzálló kiegészítő biztonsági elemeket felszerelni. A berendezés meleg részei és egyéb gyúlékony (szövet, papír, fa, stb.) vagy hőre bomló (pl. a készülék vezetőke) között tartson legalább 2,5 m-es biztonsági távolságot.

▶ **2.12.** A gázpalackot helyezze a védett helyre a készülék mögé (1 Ábra). A léghevítőt ne irányítsa a gázpalackra (2 Ábra).

▶ **2.13.** A készülék levegő beszívó (hátul) vagy kifúvó (elől) nyílását részlegesen vagy teljesen eltömíteni tilos (3 Ábra). A berendezésbe bemenő vagy a berendezés által kifújított levegőt csatornázni tilos. Győződjön meg arról, hogy a készülék alján lévő levegő beszívó nyílást (azon modellek esetében, amelyek ezt a megoldást alkalmazzák) nem tömíti el semmi.

▶ **2.14.** Ha a készülék nem kapcsol be, vagy a bekapcsoláskor nem működik megfelelően, olvassa el a (13. „MEGHIBÁSODÁSOK, OKOK, MEGOLDÁS” c. Fejezetet).

▶ **2.15.** Amikor a berendezés üzemel, ne mozgassa, és ne végezzen rajta karbantartást.

► **2.16.**Bármilyen üzemi körülmények ill. raktározási feltételek mellett ügyeljen arra, hogy a flexibilis gázcső ne sérüljön (ne feszítse meg, ne nyomja össze, és ne törje meg).

► **2.17.**Ha gázszagot érez, kapcsolja ki a készüléket, zárja el a gázpalackot, húzza ki a hálózati csatlakozót, és forduljon a vevőszolgálathoz.

► **2.18.**A gázcső cseréje esetén csak az üzemi gáznyomásnak és a felhasználási országban hatályos előírásoknak megfelelő flexibilis csövet használjon. A gázcsőnek legalább 1,5 m hosszúnak kell lennie.

► **2.19.**Amikor a készüléket egy szobatermosztát vezérli (opcionális kiegészítő), az bármikor bekapcsolhat (ha a hőmérséklet a beállított alá csökken).

► **2.20.**Amikor nem használja, húzza ki a készüléket a hálózati csatlakozóból, zárja el a gázt, kösse ki a gázcsövet, és fedje le a készüléken a gázcső nyílását.

► **2.21.**A berendezés megfelelő működése érdekében végezzen legalább évente egyszer (szükség esetén többször) karbantartást.

► **3. TÜZELŐANYAG-TÍPUS**

Kizárólag I₃B/P típusú gázt használjon.

►► **4. A GÁZPALACK BEKÖTÉSE ÉS CSERÉJE**

A gázpalackot a szabadban, nyílt lángtól mentes környezetben, hőforrástól távol cserélje.

A gázpalack készülékhez történő csatlakoztatásához kizárólag az alábbi eszközöket használja:

•A folyékony gáznak megfelelő flexibilis cső.

•Biztonsági szeleppel felszerelt nyomásszabályozó folyékony gázokhoz.

ELLENŐRIZZE, HOGY A GÁZCSŐ NEM SÉRÜLT-E. HA A GÁZCSŐ CSERÉRE SZORUL CSAK AZ ÜZEMI GÁZNYOMÁSNAK ÉS A FELHASZNÁLÁSI ORSZÁGBAN HATÁLYOS ELŐÍRÁSOKNAK MEGFELELŐ FLEXIBILIS CSÖVET HASZNÁLJON.

► A gázpalack bekötése:

FIGYELEM: MINDEN MENET BALOS, TEHÁT AZ ÓRAMUTATÓ JÁRÁSÁVAL ELLENTÉTES IRÁNYBAN HÚZZA MEG ŐKET.

► **4.1.**Csavarozza fel a gázcsövet a készülék csonkjára (4 Ábra).

► **4.2.**Helyezze fel a nyomásszabályozót a gázpalackra. Ellenőrizze, hogy a nyomásszabályozón van-e tömítés (ha a csatlakozás esetében szükség van rá) (5 Ábra).

► **4.3.**Csatlakoztassa a gázcsövet a nyomásszabályozóhoz (6 Ábra).

► **4.4.**Nyissa ki a gázpalack csapját (7 Ábra).

► **4.5.**Nyomja meg a szabályozót kioldó gombot (8 Ábra). **Szappanos víz segítségével ellenőrizze, hogy a csatlakozás nem szivárog-e: ha buborékok jelennek meg, gáz szivárog a csőből (9 Ábra).** A hosszabb készenléti idő érdekében egyszerre több gázpalackot is ráköthet a készülékre. **Azt javasoljuk, hogy használjon 30 kg-os max. 33 kW hőteljesítményű gázpalackot. 33 kW felett használjon nagyobb gázpalackot. Használjon megfelelő teljesítményű gázpalackot azért, hogy elkerülje a folyékony tüzelőanyag gázzá alakulásából (vagy annak hiányából) eredő problémákat.** A megfelelő üzemi nyomást (lásd a készüléken elhelyezett táblát) a berendezéssel együtt szállított nyomásszabályozó vagy azzal egyenértékű nyomásszabályozó segítségével állíthatja be.

►► 5. BEKÖTÉS AZ ELEKTROMOS HÁLÓZATBA ELLENŐRIZZE AZ VILLAMOS HÁLÓZAT MEGFELELŐ FÖLDELÉSÉT.

Mielőtt csatlakoztatná az elektromos hálózatba, győződjön meg arról, hogy a feszültség és frekvencia megfelelő-e (lásd a készüléken elhelyezett adattáblát). A berendezést csatlakoztassa a hálózatba (10 Ábra) a hatályos helyi jogszabályoknak megfelelően.

►► 6. A KÉZI ÜZEMELTETÉSŰ KÉSZÜLÉKEK BEKAPCSOLÁSA (... / ...M / ...DV / ...M DV)

FONTOS: A ...DV / ...M DV modellek esetében ellenőrizze a feszültségváltó kapcsolót (220-240V / 110-120V) (11 Ábra). Ha a készüléken beállított feszültség nem egyezik a hálózati feszültséggel, állítsa be a megfelelő feszültséget. Csavarozza ki a burkolatot rögzítő két csavart (12 Ábra), állítsa át a kapcsolót (13 Ábra), majd szerelje vissza a burkolatot (14 Ábra).

• 6.1. FŰTÉS ÜZEMMÓD:

► 6.1.1. Kapcsolja be a készüléket („O/I“ kapcsoló „I“ állásban) (15 Ábra).

► 6.1.2. Nyomja be teljesen a gáz gombot és tartsa nyomva (16 Ábra).

► 6.1.3. Tartsa nyomva a gáz gombot (16 Ábra), és közben nyomja meg többször teljesen (17 Ábra) a pizelektromos kapcsolót.

► 6.1.4. Miután a láng kigyulladt, tartsa nyomva a kapcsolót kb. 15 másodpercig (18 Ábra).

► 6.1.5. Engedje el a gáz gombot (19 Ábra).

Áram- vagy gázkimaradás esetén a berendezés kikapcsol. A berendezés nem kapcsol vissza automatikusan, hanem újra meg kell ismételnie a begyújtás lépéseit.

Ha a berendezés nem kapcsol be, olvassa el a (13. „MEGHIBÁSODÁSOK, OKOK, MEGOLDÁS“ c. Fejezetet).

• 6.2. VENTILÁTOR ÜZEMMÓD:

A léghevítő ventilátorként is használható. Csatlakoztassa a berendezést az elektromos hálózatba (10 Ábra), majd kapcsolja be „O/I“ kapcsoló „I“ állás (15 Ábra).

MEGJ.: Ha a léghevítő fűtés üzemmódban működik, a ventilátor üzemmód bekapcsolása előtt kapcsolja ki a gépet (a kézi működtetésű modellek) [9. fejezet „A KÉZI ÜZEMELTETÉSŰ KÉSZÜLÉKEK KIKAPCSOLÁSA (... / ...M / ...DV / ...M DV)”].

►► 7. AZ ELEKTROMOS KÉSZÜLÉKEK BEKAPCSOLÁSA (...E / ...ET)

► 7.1. Kapcsolja be a készüléket („O/I“ kapcsoló „I“ állásban) (15 Ábra).

► 7.2. Nyomja meg a „RESET“ gombot (20 Ábra).

A készülék önellenőrzést végez, majd kb. 20÷30 másodperc elteltével a láng kigyullad (lásd a működési rajzot 21 Ábra).

Áram- vagy gázkimaradás esetén a berendezés kikapcsol. A berendezés nem kapcsol vissza automatikusan, hanem újra meg kell nyomnia a „RESET“ gombot (20 Ábra).

Ha a berendezés nem kapcsol be, olvassa el a (13. „MEGHIBÁSODÁSOK, OKOK, MEGOLDÁS“ c. Fejezetet).

FIGYELEM: Ha a berendezést a szobatermosztát (opcionális tartozék) leállítja, a készülék ismét automatikusan bekapcsol, amikor a hőmérséklet a beállított érték alá süllyed.

▶▶ 8. A HŐTELJESÍTMÉNY BEÁLLÍTÁSA

A készülék típusától függően lehetőség van a készülék hőteljesítményének beállítására. A hőteljesítményt a készülék típusától függően a berendezés alsó részén elhelyezett szabályozó gomb (22 Ábra) vagy a gázpalackon elhelyezett nyomásszabályozó segítségével (23 Ábra) állíthatja be.

▶▶ 9. A KÉZI ÜZEMELTETÉSŰ KÉSZÜLÉKEK KIKAPCSOLÁSA (... / ...M / ...DV / ...M DV)

▶ 9.1. Zárja el a gázpalackot (24 Ábra).

▶ 9.2. Hagyja a ventilátort kb. 60 másodpercig üzemelni, hogy a berendezés belseje ne melegedjen túl, és ne sérüljön (a berendezés belső hűtése).

▶ 9.3. Kapcsolja ki a készüléket („O/I“ kapcsoló „O“ állásban) (25 Ábra).

▶ 9.4. Húzza ki a készülék csatlakozóját a hálózatból (26 Ábra).

▶ 9.5. Kösse ki a gázcsövet (27-28-29 Ábra).

▶▶ 10. AZ ELEKTROMOS KÉSZÜLÉKEK KIKAPCSOLÁSA (...E / ...ET)

▶ 10.1. Kapcsolja ki a készüléket („O/I“ kapcsoló „O“ állásban) (25 Ábra). A láng kialszik, és a ventilátor kihűti a készüléket. Várja meg, amíg a ventilátor befejezi a berendezés hűtését (ez a szakasz automatikus, és a berendezés belső/külső hőmérsékletétől függően 50 sec. - 5 percig tart).

▶ 10.2. Zárja el a gázpalackot (24 Ábra).

▶ 10.3. Húzza ki a készülék csatlakozóját a hálózatból (26 Ábra).

▶ 10.4. Kösse ki a gázcsövet (27-28-29 Ábra).

MEGJ.: A berendezést túlmelegedéséből eredő károk elkerülése érdekében ne húzza ki az elektromos csatlakozót azelőtt, hogy a ventilátor befejezte volna a készülék kihűtését.

▶▶ 11. TISZTÍTÁS ÉS KARBANTARTÁS

Évente legalább egyszer (szükség esetén többször) nézesse át a készüléket a vevőszolgálattal. A használatot követően tisztítsa ki a készüléket, és csak utána rakja el.

▶ 11.1. A karbantartás vagy javítás megkezdése előtt kapcsolja ki a készüléket a [9. Fejezet „A KÉZI ÜZEMELTETÉSŰ KÉSZÜLÉKEK KIKAPCSOLÁSA (... / ...M / ...DV / ...M DV)“ vagy a 10. Fejezet „AZ ELEKTROMOS KÉSZÜLÉKEK KIKAPCSOLÁSA (...E / ...ET)“ utasításai szerint].

▶ 11.2. Csak a levegőbeszívó nyílás (a készülék hátulja) szorul tisztításra.

▶ 11.3. Amikor a készüléket ismét használni kívánja, ellenőrizze a gázcsövet és a villamos vezetéket. Ha úgy gondolja, hogy hibásak, cseréltesse ki őket egy márkaszervizzel.

▶ 11.4. Engedély nélkül ne végezzen beavatkozásokat.

▶▶ 12. A SZOBATERMOSZTÁT BEKÖTÉSE (...E / ...ET) (opciós)

Távolítsa el a készülékhez csatlakoztatott fedelet, majd kösse be a termosztátot (opciós) (30 Ábra).

Lásd a kapcsolási rajzot (...E / ...ET).

►► 13. MEGHIBÁSODÁSOK, OKOK, MEGOLDÁS

MEGHIBÁSODÁSM ...DV ...M DV	...E ...ET	OKOK	MEGOLDÁS
A motor nem indul el	X	X	Nincs feszültség	1°Ellenőrizze a hálózatot 2°Forduljon a vevőszolgálathoz
	X	X	A vezeték sérült/ hibás	Vevőszolgálat
	X	X	A motor meghibásodott	Vevőszolgálat
		X	A termosztát bekötése nem megfelelő	Kösse be a termosztátot megfelelően
A láng nem gyullad be	X	X	Kiürült a gázpalack	Cserélje ki a gázpalackot (4 Fejezet)
	X	X	A szabályozó biztonsági szelepe beragadt	1°Nyomja meg a szabályozót kioldó gombot (8 Ábra) 2°Forduljon a vevőszolgálathoz
	X	X	A gázcsap el van zárva	Nyissa ki a gázcsapot (7 Ábra)
	X	X	A begyűjtő áramkör hibás	Vevőszolgálat
		X	A földelés nem működik	Ellenőrizze az elektromos hálózat földelését
A láng nem marad égve	X		Nem nyomta elég hosszan a gázgombot	Tartsa a gázgombot hosszabb ideig nyomva (6.1.4 Fejezet)
	X	X	A berendezés meghibásodott	Vevőszolgálat
A láng működés közben kialszik	X	X	Nincs elég gáz	1°Cserélje ki a gázpalackot (4 Fejezet) 2°Forduljon a vevőszolgálathoz
	X	X	A tüzelőanyag nem alakul gázzá	Használjon megfelelő méretű gázpalackot (4 Fejezet)
	X	X	A berendezés túlmelegszik	1°Tisztítsa meg a levegő beszívó nyílást (a készülék hátulján) 2°Forduljon a vevőszolgálathoz
	X	X	A berendezés meghibásodott	Vevőszolgálat

POVZETEK POGLAVIJ

1...	OPIS
2...	OPOZORILA
3...	VRSTA GORIVA
4...	PRIKLOP IN MENJAVA PLINSKE JEKLENKE
5...	PRIKLOP NA ELEKTRIČNO OMREŽJE
6...	VKLOP PRI ROČNIH MODELIH (... / ...M / ...DV / ...M DV)
7...	VKLOP PRI ELEKTRONSKIH MODELIH (...E / ...ET)
8...	NASTAVITEV TOPLLOTNE MOČI
9...	IZKLOP PRI ROČNIH MODELIH (... / ...M / ...DV / ...M DV)
10...	IZKLOP PRI ELEKTRONSKIH MODELIH (...E / ...ET)
11...	ČIŠČENJE IN VZDRŽEVANJE
12...	PRIKLOP SOBNEGA TERMOSTATA (...E / ...ET)
13...	ISKANJE IN ODPRAVLJANJE NAPAK

POMEMBNO: PRED MONTAŽO, PRVIM ZAGONOM IN VZDRŽEVALNIMI POSEGI NA TEM GENERATORJU PREBERITE UPORABNIŠKI PRIROČNIK IN SE SEZANITE Z NJEGOVO VSEBINO. NAPAČNA UPORABA GENERATORJA IMA LAHKO ZA POSLEDICO HUDE POŠKODBE. TA PRIROČNIK SKRBNO SHRANITE IN GA IMEJTE VEDNO PRI ROKI.

►► 1. OPIS

Ta generator je prenosni grelnik zraka na tekoči plin, za katerega je značilen popolni izkoristek goriva, za izmenjavo toplote z vnaprejšnjim mešanjem zraka in plina. Ima priročen ročaj za lažji prenos in premikanje. Izdelan je v skladu z določbami standarda EN 1596.

►► 2. OPOZORILA

►⚠POMEMBNO: Naprave ne uporabljajte za ogrevanje bivanjskih prostorov stanovanjskih objektov. Pri uporabi v javni stavbah upoštevajte nacionalne predpise.

►⚠POMEMBNO: Te naprave naj ne uporabljajo osebe z zmanjšanimi fizičnimi, senzoričnimi ali umskimi sposobnostmi (vključno z otroki) oziroma s premalo izkušnjami ali znanja, razen če jih pri tem nadzoruje

ali usmerja oseba, zadolžena za njihovo varnost. Otroke je treba imeti pod nadzorom, da se z napravo ne bi igrali. Živali naj bodo od naprave ustrezno oddaljene.

►⚠POMEMBNO: Neprimerna uporaba tega generatorja lahko povzroči poškodbe, tudi smrtne, opekline, eksplozijo, električni udar ali zastrupitev. Prvi znaki zastrupitve z ogljikovim monoksidom so podobni znakom gripe, z glavobolom, vrtoglavico in/ali slabostjo. Ti znaki so lahko posledica nepravilnega delovanja kotla. PRI OMENJENIH ZNAKIH TAKOJ POJDITE NA SVEŽI ZRAK in se obrnite na servisno osebje zaradi popravila kotla.

►⚠POMEMBNO: Vse posege čiščenja, vzdrževanja in popravil, ki zahtevajo dostop do nevarnih delov (kot je menjava poškodovanega

napajalnega kabla), mora izvesti proizvajalec, njegova servisna služba ali podobno usposobljena oseba, tako da se prepreči vsakršno tveganje, četudi je pri tem predviden izklop električnega napajanja.

► **2.1.** Za zagotovitev pravilne uporabe generatorja in prihranek goriva upoštevajte vse lokalne predpise in veljavno zakonodajo.

► **2.2.** Generator pri svojem delovanju potrebuje ustrezno izmenjavo zraka. Zato ga je treba uporabljati na prostem ali v prostorih, kjer je zagotovljena stalna izmenjava zraka. Dobro prezračevanje je zagotovljeno takrat, ko se prostornina prostora izračuna na osnovi toplotne moči, po formuli 1 m^3 na vsakih 100 W moči. Priporočena prostornina prostora v nobenem primeru ne sme biti manjša od 100 m^3 . Dobro prezračevanje je zagotovljeno z odprtino, izdelano po formuli 25 cm^2 na kW toplotne moči, z najmanj 250 cm^2 , ki mora biti enakomerno razporejena med zgornjim in spodnjim delom prostora. Pri nameščanju upoštevajte veljavne nacionalne predpise, vključno s tehničnimi standardi in določbami s področja preprečevanja nezgod in požarov.

► **2.3.** To napravo se lahko uporablja samo kot generator toplega zraka (način ogrevanja) ali ventilator (način ventilacije, pri modelih, ki to funkcijo imajo). Strogo upoštevajte ta navodila za uporabo.

► **2.4.** Proizvajalec zavrača vsakršno odgovornost za poškodbe predmetov in/ali oseb zaradi neprimerne uporabe naprave.

► **2.5.** Generator polnite samo z izrecno določeno vrsto goriva ter ga napajajte s tokovno napetostjo in frekvenco, ki sta navedeni na tablici s podatki, pritrjeni na generatorju.

► **2.6.** Generator priključite le na električno omrežje z ustreznim stikalom na diferenčni tok in primerno ozemljitvijo.

► **2.7.** Uporabljajte samo podaljške ustreznega preseka z ozemljitvenim vodnikom.

► **2.8.** Generator mora delovati na ravni, stabilni in negoreči površini, tako da se izognete nevarnostim požara.

► **2.9.** Strogo prepovedana je uporaba te naprave v polkletnih in kletnih prostorih.

► **2.10.** Tega generatorja se ne sme uporabljati v prostorih z eksplozivnim prahom, hlapi, plini, gorivi, topili, laki.

► **2.11.** V primeru uporabe generatorja ob platnenih ceradah, zavesah ali podobnih pokrivnih materialih vam svetujemo uporabo dodatnih negorljivih zaščit. Poskrbite za ustrezno oddaljenost od vnetljivih materialov (blago, papir, les ipd.) ali toplotno nestabilnih snovi (vključno z napajalnim kablom) ter od vročih delov generatorja; ta razdalja naj v nobenem primeru ne bo manjša od $2,5 \text{ m}$.

► **2.12.** Plinsko jeklenko postavite na zaščiteno mesto, za napravo (Slika 1). Generatorja nikoli ne usmerjajte proti plinski jeklenki (Slika 2).

► **2.13.** Prepovedano je iz kakršnega koli razloga delno ali v celoti mašiti odprtine za zajemanje zraka (na zadnji strani) in/ali tiste za odvajanje zraka (na prednji strani) (Slika 3). Izogibajte se uporabi kakršnih koli zračnih kanalov od generatorja oziroma do slednjega. Pazite, da ne bi mašili rež za zajemanje zraka na dnu podnožja (pri modelih, kjer je uporabljena ta rešitev).

► **2.14.** V primeru neuspešnega ali nepravilnega vžiga generatorja si oglejte ustrezni del (odst. "13. ISKANJE IN ODPRAVLJANJE NAPAK").

► **2.15.** Ko generator deluje, se ga ne sme premikati, z njim kakorkoli ravnati, prav tako pa se na njem ne sme izvajati kakršnih koli vzdrževalnih del.

► **2.16.** Pri kakršni koli uporabi ali prestavljanju naprave pazite, da ne bi poškodovali (zmečkali, upognili, zvilili, napeli) gibkih plinskih cevi.

► **2.17.** Če zaznate vonj po plinu, napravo takoj ugasnite, zaprite plinsko jeklenko, vtič iztaknite iz omrežne vtičnice in nato pokličite serviserja.

► **2.18.** V primeru menjave plinske cevi uporabite samo gibke cevi, primerne delovnemu tlaku, pri tem pa upoštevajte nacionalno zakonodajo. Plinska cev mora biti dolga 1,5 m.

► **2.19.** Ko napravo krmili sobni termostat (dodatna oprema), se lahko generator kadarkoli znova prižge, in sicer takrat, ko temperatura pade pod nastavljeni prag.

► **2.20.** Ko generatorja ne uporabljate, vtič izvalcite iz električne vtičnice, zaprite plinsko napajanje, odklopite plinsko cev z generatorja in zamašite vhod plina na njem.

► **2.21.** Servisna služba naj vsaj enkrat letno oziroma po potrebi preveri delovanje generatorja.

►► **3. VRSTA GORIVA**

Uporabljajte samo gorivo kategorije I₃B/P.

►► **4. PRIKLOP IN MENJAVA PLINSKE JEKLENKE**

Plinsko jeklenko je treba menjati na prostem, daleč od virov toplote in odprtega ognja.

Za priklop plinske jeklenke na generator je treba uporabiti naslednjo opremo:

- Gibko cev za tekoči plin.
- Regulator tlaka za tekoči plin z varnostnim ventilom.

PREVERITE STANJE OHRANJENOSTI PLINSKE NAPAJALNE CEVI. ČE BI JO BILO TREBA ZAMENJATI, UPORABITE IZKLJUČNO GIBKO CEV, PRIMERNO DELOVNEMU TLAKU, PRI TEM PA UPOŠTEVAJTE NACIONALNO ZAKONODAJO.

► Za priklop generatorja na plinsko jeklenko ravnajte na naslednji način:

POZOR: VSI NAVOJI SO LEVI, TO POMENI, DA JIH JE TREBA PRIVIJATI V NASPROTNI SMERI URINEGA KAZALCA.

► **4.1.** Plinsko cev privijte na priključek generatorja (Slika 4).

► **4.2.** Na plinsko jeklenko namestite regulator tlaka. Prepričajte se, da je na regulatorju prisotno tesnilo (če vrsta priključka to predvideva) (Slika 5).

► **4.3.** Plinsko cev priključite na regulator tlaka (Slika 6).

► **4.4.** Odprite ventil plinske jeklenke (Slika 7).

► **4.5.** Pritisnite gumb za sprostitev regulatorja (Slika 8). **Z milnico preverite tesnjenje spojev: mehurčki opozarjajo na morebitno izhajanje plina (Slika 9).** Med seboj lahko povežete več plinskih jeklenk, tako da zagotovite večjo avtonomijo. **Svetujemo vam uporabo 30 kg jeklenk s toplotno močjo največ 33 kW, nad močjo 33 kW pa uporabite plinske jeklenke večje zmogljivosti. Svetujemo vam uporabo plinskih jeklenk ustrezne zmogljivosti, da se izognete težavam zaradi slabega uplinjanja goriva.** Pravilni delovni tlak (glejte tablico s podatki, ki je pritrjena na generatorju) uravnava regulator, ki je priložen napravi, ali enakovredni model slednjega.

►► 5. PRIKLOP NA ELEKTRIČNO OMREŽJE PREVERITE, ALI JE OZEMLJITEV VAŠE ELEKTRIČNE NAPELJAVE PRAVILNO IZVEDENA.

Pred priklopom generatorja na električno omrežje se prepričajte, da sta napajalna napetost in frekvenca pravilni (glejte tablico s podatki, ki je pritrjena na generatorju). Priklop na električno omrežje (Slika 10) je treba izvesti v skladu z veljavnimi nacionalnimi predpisi.

►► 6. VŽIG PRI ROČNIH MODELIH (... / ...M / ...DV / ...M DV)

POMEMBNO: Pri modelih ...DV / ...M DV preverite položaj stikala za preklon napetosti (220-240V / 110-120V) (Slika 11). Če napetost, ki je nastavljena na napravi, ne ustreza omrežni napetosti, je treba napetost prilagoditi. Izvijte 2 vijaka, ki pritrjujeta pokrov (Slika 12), stikalo pomaknite na vrednost omrežne napetosti (Slika 13) in ponovno namestite pokrov (Slika 14).

• 6.1. NAČIN OGREVANJA:

► 6.1.1. Stikalo "O/I" pomaknite v položaj "I" (Slika 15).

► 6.1.2. Do dna pritisnite gumb za plin in ga zadržite pritisnjenega (Slika 16).

► 6.1.3. Večkrat do dna pritisnite piezoelektrično vžigalo (Slika 16).

► 6.1.4. Po vžigu plamena zadržite gumb za plin pritisnjen približno 15 sekund (Slika 18).

► 6.1.5. Sprostite gumb za plin (Slika 19).

V primeru izpada električne napetosti ali pomanjkanja plina se naprava ugasne. Ponovni vžig generatorja ni samodejen, temveč ga je treba izvesti ročno, s ponovitvijo postopka vžiga.

Če se naprava ne prižge, si oglejte ustrezni del v priročniku (odstavek "13. ISKANJE IN ODPRAVLJANJE NAPAK").

• 6.2. NAČIN VENTILACIJE:

Generator se lahko uporablja tudi kot ventilator. Generator priključite na električno omrežje (Slika 10) in stikalo "O/I" pomaknite v položaj "I" (Slika 15). **OPOMBA:** Ko generator deluje v načinu ogrevanja, pred prehodom na način ventilacije izvedite pravilni postopek izklopa za ročne modele [odst. "9. IZKLOP PRI ROČNIH MODELIH (... / ...M / ...DV / ...M DV)"].

►► 7. VŽIG PRI ELEKTRONSKIH MODELIH (...E / ...ET)

► 7.1. Stikalo "O/I" pomaknite v položaj "I" (Slika 15).

► 7.2. Pritisnite gumb "RESET" (Slika 20).

Generator prične sekvenco analize in po približno 20÷30 sekundah se plamen prižge (glejte shemo delovanja na Sliki 21).

V primeru izpada električne napetosti ali pomanjkanja plina se naprava ugasne. Ponovni vžig generatorja ni samodejen, temveč ga je treba izvesti ročno, s pritiskom gumba "RESET" (Slika 20).

Če se naprava ne prižge, si oglejte ustrezni del v priročniku (odstavek "13. ISKANJE IN ODPRAVLJANJE NAPAK").

POZOR: Če se generator ustavi zaradi sprožitve sobnega termostata (dodatna oprema), se naprava samodejno znova prižge, ko se temperatura spusti pod nastavljeni prag.

►► 8. NASTAVITEV TOPLOTNE MOČI

Glede na vrsto generatorja je mogoče nastaviti toplotno moč naprave. Toplotno moč je mogoče nastaviti s pomočjo vrtljivega gumba, ki se nahaja na podnožju generatorja (Slika 22) ali na regulatorju tlaka, ki je nameščen na plinski jeklenki (Slika 23), odvisno od modela.

►► 9. IZKLOP PRI ROČNIH MODELIH (... / ...M / ...DV / ...M DV)

► 9.1. Zaprite ventil plinske jeklenke (Slika 24).

► 9.2. Ventilator pustite delovati približno 60 sekund, da preprečite notranje poškodbe zaradi pregrevanja (notranje hlajenje generatorja).

► 9.3. Stikalo "O/I" pomaknite v položaj "O" (Slika 25).

► 9.4. Generator izključite iz električnega napajanja (Slika 26).

► 9.5. Generator odklopite s plinske napajalne cevi (Slike 27-28-29).

►► 10. IZKLOP PRI ELEKTRONSKIH MODELIH (...E / ...ET)

► 10.1. Stikalo "O/I" pomaknite v položaj "O" (Slika 25). Plamen ugasne in generator izvede fazo post-ventilacije. Počakajte na zaključek cikla, da se izognete notranjim poškodbam zaradi pregrevanja (ta faza je samodejna in lahko traja od 50 sekund do 5 minut, odvisno od notranje/zunanje temperature generatorja).

► 10.2. Zaprite ventil plinske jeklenke (Slika 24).

► 10.3. Generator izključite iz električnega napajanja (Slika 26).

► 10.4. Generator odklopite s plinske napajalne cevi (Slike 27-28-29).

OPOMBA: Izogibajte se odklapljanju generatorja z električnega omrežja pred zaključkom faze post-ventilacije, da preprečite notranje poškodbe naprave zaradi pregrevanja.

►► 11. ČIŠČENJE IN VZDRŽEVANJE

Enkrat letno oziroma po potrebi naj servisna služba preveri delovanje generatorja. Pred shranjevanjem naprave po uporabi je ne pozabite očistiti.

► 11.1. Pred kakršnimi koli vzdrževalnimi deli, čiščenjem ali popravili na napravi izvedite sekvenco izklopa [odst. "9. IZKLOP PRI ROČNIH MODELIH (... / ...M / ...DV / ...M DV)" oziroma "10. IZKLOP PRI ELEKTRONSKIH MODELIH (...E / ...ET)"].

► 11.2. Čiščenje se nanaša samo na zračni priključek (na zadnji strani) generatorja.

► 11.3. Pred uporabo naprave preverite stanje ohranjenosti plinske cevi in napajalnega kabla; če bi bili v dvomih glede njune ohranjenosti, se po pomoč obrnite na servisno službo.

► 11.4. Ne izvajajte nepooblaščenih posegov.

►► 12. PRIKLOP SOBNEGA TERMOSTATA (...E / ...ET) (izbirno)

Snemite čep, ki je povezan z napravo, in priključite sobni termostat (izbirno) (Slika 30).

Glejte električno shemo (...E / ...ET).

►► 13. ISKANJE IN ODPRAVLJANJE NAPAK

NAPAKE PRI DELOVANJUM ...DV ...M DV	...E ...ET	VZROK	REŠITVE
Motor se ne zažene	X	X	Ni napetosti	1°Preverite omrežno napeljavo 2°Pokličite serviserja
	X	X	Napajalni kabel okvarjen/ poškodovan	Pokličite serviserja
	X	X	Motor okvarjen	Pokličite serviserja
		X	Napačna povezava sobnega termostata	Pravilno povežite sobni termostat
Plamen se ne prižge	X	X	Plinska jeklenka porabljena	Zamenjajte plinsko jeklenko (Odst. 4)
	X	X	Varnostni ventil regulatorja blokiran	1°Pritisnite gumb za sprostitvev plina regulatorja (Slika 8) 2°Pokličite serviserja
	X	X	Ventil plinske jeklenke je zaprt	Odprite ventil plinske jeklenke (Slika 7)
	X	X	Vžigalni tokokrog je okvarjen	Pokličite serviserja
		X	Ozemljitev ni učinkovita	Preverite, ali je naprava pravilno ozemljena
Plamen ne ostane prižgan	X		Gumba za plin ne zadržite pritisnjenega dovolj dolgo	Gumb za plin zadržite pritisnjen dlje časa (Odst. 6.1.4.)
	X	X	Generator okvarjen	Pokličite serviserja
Izklop plamena med delovanjem	X	X	Nezadostno napajanje plina	1°Zamenjajte plinsko jeklenko (Odst. 4) 2°Pokličite serviserja
	X	X	Ni uplinjanja goriva	Uporabite plinske jeklenke ustrezne zmogljivosti (Odst. 4)
	X	X	Pregrevanje naprave	1°Očistite zračni priključek (na zadnji strani) 2°Pokličite serviserja
	X	X	Generator okvarjen	Pokličite serviserja

İÇİNDEKİLER

1...	TANIMI
2...	UYARILAR
3...	YAKIT TÜRÜ
4...	TÜPÜN BAĞLANMASI VE DEĞİŞTİRİLMESİ
5...	ELEKTRİK ŞEBEKESİNE BAĞLANMASI
6...	MANÜEL MODELLERİN ÇALIŞTIRILMASI (... / ...M / ...DV / ...M DV)
7...	ELEKTRONİK MODELLERİN ÇALIŞTIRILMASI (...E / ...ET)
8...	AYARI VE ISITMA KAPASİTESİ
9...	MANÜEL MODELLERİN KAPATILMASI (... / ...M / ...DV / ...M DV)
10...	ELEKTRONİK MODELLERİN KAPATILMASI (...E / ...ET)
11...	TEMİZLİK VE BAKIMI
12...	ODA TERMOSTATI BAĞLANTISI (...E / ...ET)
13...	ARIZALAR, SEBEPLERİ VE ÇÖZÜMLERİ

ÖNEMLİ: BU JENERATÖRÜN MONTAJ, ÇALIŞTIRMA VEYA BAKIMINI YAPMADAN ÖNCE BU UYGULAMA KILAVUZUNU OKUYUN VE ANLAYIN. JENERATÖRÜN HATALI KULLANIMI AĞIR YARALANMALARA NEDEN OLABİLİR. BU KILAVUZU GELECEKTE DANIŞMAK ÜZERE MUHAFAZA EDİN.

tr

►► 1. TANIMI

Bu jeneratör, yakıt ürünleri ile emilen havanın doğrudan karıştırılması ile oluşan ısı alışverişi aracılığıyla yakıtın tamamının kullanıldığı, sıvı gaz ile çalışan taşınabilir bir ısıtıcıdır. Taşınmasını ve hareketini kolaylaştıran pratik bir kulp ile donatılmıştır. Cihaz EN 1596 standardına uygun olarak üretilmiştir.

►► 2. UYARILAR

►⚠️ ÖNEMLİ: Konut binalarının oturulan alanlarının ısıtılmasında kullanmayın; kamu binalarında kullanım için ulusal düzenlemelere uyunuz.

►⚠️ ÖNEMLİ: Bu cihaz, güvenliklerinden sorumlu bir kişinin gözetimi altında olmaksızın düşük fiziksel, algısal ve zihinsel

kapasiteli veya uzman olmayan kişilerin (küçük çocuklar dâhil) kullanımına uygun değildir. Küçük çocuklar cihazla oynamadıklarından emin olmak için kontrol edilmelidir. Hayvanları jeneratöre güvenlik mesafesinde tutun.

►⚠️ ÖNEMLİ: Bu jeneratörün amacı dışında kullanımı kişilere zarar verebilir veya hayati tehlikelere, yaralanmalara, yanıklara, patlamalara, elektrik şoklarına veya zehirlenmelere neden olabilir. Karbonmonoksit gazı zehirlenmesinin ilk belirtileri baş dönmesi, baş ağrısı ve/veya mide bulantısı ile grip belirtilerine benzer. Bu arazlar jeneratörün kusurlu çalışmasından kaynaklanabilirler. BU BELİRTİLERİN GÖRÜLMESİ DURUMUNDA DERHAL AÇIK

HAVAYA ÇIKIN ve jeneratörü bir teknik servis merkezinde tamir ettirin.

▶ **⚠ÖNEMLİ:** Tehlikeli bölgelere erişimi gerektiren bütün temizlik, bakım ve onarım işlemleri (hasarlı güç kablosunun değiştirilmesi gibi), elektrik şebekesi ile bağlantısının kesilmesine rağmen, her türlü riski önlemek amacıyla, üretici firma, teknik servis merkezi, vasıflı personel veya benzeri kişiler tarafından yapılmalıdır.

▶ **2.1.**Jeneratörün doğru kullanımı ve yakıtın saklanması için, geçerli talimatlar ve yerel kuralların tümüne uyun.

▶ **2.2.**Jeneratörün çalışması için yeterli bir hava çevrimi gerekmektedir. Dolayısıyla, açık havada veya yeterli ve devamlı hava çevriminin olduğu odalarda kullanılmalıdır. İyi bir havalandırma için, oda hacmi ısıtma kapasitesi üzerinden her 100 W güç için 1 m³ formülü ile hesaplanır. Hiçbir şekilde tavsiye edilen oda hacmi 100 m³'ün altında olmamalıdır. Yeterli bir havalandırma, odanın alt ve üst tarafına eşit şekilde dağıtılmış ve en az 250 cm² olacak şekilde, kW başına 25 cm² açıklık ile sağlanır. Kurulum için, iş kazası önleme ve yangınla mücadele konusundaki teknik standart ve talimatlar dâhil yürürlükteki ulusal standartlar geçerlidir.

▶ **2.3.**Cihaz sadece sıcak hava jeneratörü (ısıtma fonksiyonu) veya vantilatör (bu fonksiyona sahip modellerde vantilatör fonksiyonu) olarak kullanılmalıdır. Kullanım için işbu talimatlara özenle uyunuz.

▶ **2.4.**Üretici firma cihazın amacı dışında kullanılması dolayısıyla kişilere gelen veya maddi zararlara ait her türlü sorumluluğu reddeder.

▶ **2.5.**Jeneratörü sadece açık olarak belirtilen türden yakıt ve jeneratör üzerindeki veri levhasında belirtilen gerilim ve frekansa sahip akımla besleyin.

▶ **2.6.**Jeneratörü sadece gerekli diferansiyel şalter ve uygun toprak hattı bağlantısına sahip elektrik şebekelerine bağladığınızdan emin olun.

▶ **2.7.**Sadece yeterli kesitli ve toprak hatlı uzatmalar kullanın.

▶ **2.8.**Jeneratör, yangın risklerini önlemek için düz, dengeli ve yanmaz bir yüzeye yerleştirin.

▶ **2.9.**Cihazın bodrum katındaki veya toprak seviyesinin altındaki mekânlarda kullanımı kesinlikle yasaktır.

▶ **2.10.**Jeneratör, patlayıcı toz, duman, gaz, yakıt, solvent, cila bulunan mekânlarda kullanılmamalıdır.

▶ **2.11.**Jeneratör branda, perde veya benzeri örtü malzemelerinin yakınında kullanılıyorsa, ilave yanmaz korumalar kullanılması tavsiye edilir. Yanıcı (kumaş, kâğıt, ahşap, vb.) veya ısıl kararsız (güç kablosu dâhil) malzemeler ile jeneratörün sıcak kısımları arasında en az 2,5 m olacak şekilde yeterli mesafeyi korumaya dikkat edin.

▶ **2.12.**Tüpü cihazın arkasında, korunaklı bir yere koyun (Şek. 1). Jeneratör asla tüpe dönük olmamalıdır (Şek. 2).

▶ **2.13.**Hava girişinin (arka taraf) ve/veya hava çıkış ağzının (ön taraf) herhangi bir nedenle kısmen veya tamamen kapatılması yasaktır (Şek. 3). Jeneratörün hava kanallarını kullanmaktan kaçının. Taban kısmının altında bulunan (bu çözünüm bulunduğu modellerde) hava emiş mazgallarının tıkanmadığından emin olun.

▶ **2.14.**Jeneratörün, çalışmaması veya arızalı çalışması halinde bu konuyla ilgili bölüme bakınız (Parag. "13. ARIZALAR, SEBEPLERİ VE ÇÖZÜMLERİ").

► **2.15.**Jeneratör çalışır durumdayken yeri değiştirilmemeli, ele alınmamalı, herhangi bir bakım işlemi yapılmamalıdır.

► **2.16.**Cihazın her türlü kullanımı veya duruşu sırasında, gaz hortumunun hasar görmemesine (ezilmemesine, katlanmamasına, burkulmamasına, gerilmemesine) dikkat ediniz.

► **2.17.**Gaz kokusu alırsanız, cihazı ve tüpü derhal kapatıp fişini çekin ve ardından teknik servisi arayın.

► **2.18.**Gaz hortumunun değiştirilmesi halinde, sadece ulusal düzenlemelere ve çalışma basıncına uygun hortumlar kullanın. Gaz hortumunun uzunluğu 1,5 m olmalıdır.

► **2.19.**Cihaz, oda termostatu tarafından kontrol ediliyorsa (isteğe bağlı aksesuar), jeneratör, sıcaklık ayarlanan eşik değerinin altına indiğinde, herhangi bir zamanda kendiliğinden çalışabilir.

► **2.20.**Jeneratör kullanılmadığında, fişini çekip gaz hortumunu jeneratörden çıkarın ve jeneratördeki gaz girişini kapatın.

► **2.21.**En az yılda bir kere ve/veya ihtiyaca göre, jeneratörü teknik servis merkezine kontrol ettirin.

►► 3. YAKIT TÜRÜ

Sadece I₃B/P kategori gaz kullanın.

►► 4. TÜPÜN BAĞLANMASI VE DEĞİŞTİRİLMESİ

Tüp açık havada, ısı kaynaklarından uzak bir yerde, alev bulunmayan bir ortamda değiştirilmelidir.

Tüpün jeneratöre bağlantısı için sadece aşağıdaki aksesuarlar kullanılmalıdır:

•Sıvı gaz hortumu.

•Emniyet valfli sıvı gaz basınç regülatörü.

GAZ HORTUMUNUN SAĞLAMLIĞINI KONTROL EDİN. DEĞİŞTİRİLMESİ GEREKTİĞİNDE, SADECE ULUSAL DÜZENLEMELERE VE ÇALIŞMA BASINCINA UYGUN HORTUM KULLANIN.

► Jeneratörü tüpe bağlamak için:

DİKKAT: BÜTÜN DİŞLER SOLAK OLARAK HAZIRLANDIĞINDAN SAAT YÖNÜNÜN TERSİNDE ÇEVİRİLEREK KAPATILIR.

► **4.1.**Gaz borusunu jeneratörün rakoruna takın (Şek. 4).

► **4.2.**Basınç regülatörünü tüpe takın. Regülatör üzerinde (bağlantı çeşidi bunu öngörüyorsa) conta bulunduğundan emin olun (Şek. 5).

► **4.3.**Gaz borusunu basınç regülatörüne bağlayın (Şek. 6).

► **4.4.**Tüpün vanasını açın (Şek. 7).

► **4.5.**Regülatör kilit açma tuşuna basın (Şek. 8). **Sabunlu su ile rakorların hava geçirmezliğini kontrol edin: hava kabarcıkları oluşuyorsa gaz kaçağı var demektir (Şek. 9).** Daha uzun süre kullanım için birden fazla tüp birbirine bağlanabilir. **33 kW ısıtma kapasitesine kadar 30 kg'lık tüplerin, 33 kW'ın üzerindeki ısıtma kapasitesi içinse daha fazla kapasiteli tüplerin kullanılması tavsiye edilir. Yakıtın gazlaştırılmamasından kaynaklanan sorunları önlemek için uygun kapasiteye sahip tüplerin kullanılması tavsiye edilir.** Doğru çalışma basıncı (jeneratör üzerindeki veri levhasına bakın) tedarik dâhilindeki veya benzer modele sahip regülatör ile sağlanır.

►► 5. ELEKTRİK ŞEBEKESİNE BAĞLANMASI

ELEKTRİK TESİSATINIZIN TOPRAK BAĞLANTISINI KONTROL EDİN.

Jeneratörü elektrik şebekesine bağlamadan önce, besleme gerilim ve frekansının doğru olduğundan emin olun (jeneratör üzerindeki veri levhasına bakın). Elektrik bağlantısı (Şek. 10), yürürlükteki ulusal düzenlemelere uygun olarak yapılmalıdır.

►► 6. MANÜEL MODELLERİN ÇALIŞTIRILMASI (... / ...M / ...DV / ...M DV)

ÖNEMLİ: ...DV / ...M DV modellerinde, gerilim değiştirme şalterinin konumunu kontrol edin (220-240V / 110-120V) (Şek. 11). Cihazda ayarlı olan gerilim şebekenin sağladığı gerilime eşit değilse, gerilimin ayarlanması gereklidir. Kapağın vidalarını sökün (Şek. 12), şalteri şebeke gerilimi değerine getirip (Şek. 13) kapağı tekrar yerine takın (Şek. 14).

• 6.1. ISITMA FONKSİYONU:

► 6.1.1. "O/I" açma kapama düğmesini "I" konumuna getirin (Şek. 15).

► 6.1.2. Gaz düğmesine sonuna kadar basıp basılı tutun (Şek. 16).

► 6.1.3. Gaz düğmesine basılı tutarak (Şek. 16), piezoelektrik ateşleticiyi sonuna kadar ve birbiri ardına çalıştırın (Şek. 17).

► 6.1.4. Alev aldıktan sonra, gaz düğmesine yaklaşık 15 s boyunca basılı tutun (Şek. 18).

► 6.1.5. Gaz düğmesini bırakın (Şek. 19). Elektrik enerjisinde kesinti olması veya gaz ulaşmaması halinde cihaz kapanır. Jeneratör kendiliğinden otomatik olarak açılmaz, manüel olarak çalıştırma prosedürü tekrarlanarak yapılmalıdır.

Cihaz çalışmazsa, bu konuyla ilgili bölüme bakınız (Parag. "13. ARIZALAR, SEBEPLERİ VE ÇÖZÜMLERİ").

• 6.2. VANTİLATÖR FONKSİYONU:

Jeneratör vantilatör olarak da kullanılabilir. Jeneratörü elektrik şebekesine bağlayıp (Şek. 10) "O/I" açma kapama düğmesini "I" konumuna getirin (Şek. 15).

NOT: Jeneratör ısıtma fonksiyonunda çalışırken, vantilatör fonksiyonuna geçmeden önce, manüel modellerin kapatılma işlemini doğru şekilde uygulayın [Parag. "9. MANÜEL MODELLERİN KAPATILMASI (... / ...M / ...DV / ...M DV)"].

►► 7. ELEKTRONİK MODELLERİN ÇALIŞTIRILMASI (...E / ...ET)

► 7.1. "O/I" açma kapama düğmesini "I" konumuna getirin (Şek. 15).

► 7.2. "RESET" tuşuna basın (Şek. 20).

Jeneratör analiz işlemine başlar ve yaklaşık 20÷30 s sonra alev yanmaya başlar (Şek. 21'deki işlev şemasına bakın).

Elektrik enerjisinde kesinti olması veya gaz ulaşmaması halinde cihaz kapanır. Jeneratör kendiliğinden otomatik olarak açılmaz, "RESET" tuşuna basılarak manüel olarak yapılmalıdır (Şek. 20).

Cihaz çalışmazsa, bu konuyla ilgili bölüme bakınız (Parag. "13. ARIZALAR, SEBEPLERİ VE ÇÖZÜMLERİ").

DİKKAT: Jeneratör ortam termostatının (isteğe bağlı aksesuar) müdahalesi nedeniyle durursa, cihaz, sıcaklık ayarlanan eşik değerinin altına indiğinde otomatik olarak kendiliğinden tekrar açılır.

►► 8. AYARI VE ISITMA KAPASİTESİ

Jeneratör türüne bağlı olarak, cihazın ısıtma kapasitesi ayarlanabilir. Isıtma kapasitesi, modele bağlı olarak, jeneratörün taban kısmındaki manivela (Şek. 22), veya tüp üzerindeki basınç regülatörü (Şek. 23) aracılığıyla ayarlanabilir.

►► 9. MANÜEL MODELLERİN KAPATILMASI (... / ...M / ...DV / ...M DV)

- 9.1. Tüpü kapatın (Şek. 24).
- 9.2. Aşırı ısınma nedeniyle iç kısımlara zarar gelmesini önlemek için vantilatörü yaklaşık 60 s boyunca çalıştırın (jeneratörün iç kısmının soğutulması).
- 9.3. “O/I” açma kapama düğmesini “O” konumuna getirin (Şek. 25).
- 9.4. Jeneratörün elektrik şebekesi ile bağlantısını kesin (Şek. 26).
- 9.5. Jeneratörün gaz besleme borusu ile bağlantısını kesin (Şek. 27-28-29).

►► 10. ELEKTRONİK MODELLERİN KAPATILMASI (...E / ...ET)

- 10.1. “O/I” açma kapama düğmesini “O” konumuna getirin (Şek. 25). Alev söner ve jeneratör ventilasyon sonrası aşamayı uygular. Aşırı ısınma nedeniyle iç kısımlara zarar gelmesini önlemek için döngünün tamamlanmasını bekleyin (bu aşama otomatiktir ve jeneratörün iç sıcaklığına bağlı olarak 50 s÷5 dak sürebilir).
 - 10.2. Tüpü kapatın (Şek. 24).
 - 10.3. Jeneratörün elektrik şebekesi ile bağlantısını kesin (Şek. 26).
 - 10.4. Jeneratörün gaz besleme borusu ile bağlantısını kesin (Şek. 27-28-29).
- NOT: Aşırı ısınma nedeniyle iç kısımların zarar görmesini önlemek amacıyla, jeneratörün elektrik şebekesi ile bağlantısını ventilasyon sonrası aşama bitmeden kesmekten kaçınınız.**

►► 11. TEMİZLİK VE BAKIMI

En az yılda bir kere ve/veya ihtiyaca göre, jeneratörü teknik servis merkezine kontrol ettirin. Kullanımdan sonra yerine kaldırmadan önce cihaz temizlenmelidir.

► 11.1. Cihaz üzerinde her türlü bakım ve onarım işlemine başlamadan önce, kapatma prosedürünü uygulayın [Parag. “9. MANÜEL MODELLERİN KAPATILMASI (... / ...M / ...DV / ...M DV)” veya “10. ELEKTRONİK MODELLERİN KAPATILMASI (...E / ...ET)”].

► 11.2. Jeneratörün temizliği sadece hava girişini (arka taraf) ilgilendirir.

► 11.3. Cihaz tekrar kullanılacağı zaman, gaz borusu ve güç kablosunun sağlamlığını kontrol edin, sağlamlıklarından şüphe duymanız halinde teknik servis müdahalesini talep edin.

► 11.4. İzinsiz müdahalelerde bulunmayınız.

►► 12. ODA TERMOSTATI BAĞLANTISI (...E / ...ET) (isteğe bağlı)

Cihaza bağlı olan tıpayı çıkarıp oda termostatını (isteğe bağlı) bağlayınız (Şek. 30).

Elektrik şemasına bakınız (...E / ...ET).

►► 13. ARIZALAR, SEBEPLERİ VE ÇÖZÜMLERİ

ARIZALARM ...DV ...M DV	...E ...ET	SEBEPLERİ	ÇÖZÜMLERİ
Motor çalışmıyor	X	X	Gerilim yok	1°Şebeke tesisatını kontrol edin 2°Teknik servis
	X	X	Güç kablosu defolu/hasarlı	Teknik servis
	X	X	Motor arızalı	Teknik servis
		X	Oda termostatu bağlantısı hatalı	Oda termostatını doğru şekilde bağlayın
Alev yanmıyor	X	X	Tüp bitmiş	Tüpü değiştirin (Parag. 4)
	X	X	Regülatör emniyet valfi bloke oldu	1°Regülatörün kilit açma tuşuna basın (Şek. 8) 2°Teknik servis
	X	X	Tüp vanası kapalı	Tüpün vanasını açın (Şek. 7)
	X	X	Çalıştırma devresi arızalı	Teknik servis
		X	Toprak bağlantısı yetersiz	Tesisatınızın toprak bağlantısını kontrol edin
Alev yanmaya devam etmiyor	X		Gaz düğmesine yeteri kadar uzun basılmadı	Gaz düğmesine daha uzun süre basın (Parag. 6.1.4.)
	X	X	Jeneratör arızalı	Teknik servis
İşletim sırasında alevin sönmesi	X	X	Gaz beslemesi yetersiz	1°Tüpü değiştirin (Parag. 4) 2°Teknik servis
	X	X	Yakıt gazlaştırılmıyor	Yeterli kapasiteye sahip tüp kullanın (Parag. 4)
	X	X	Cihaz aşırı ısındı	1°Hava giriş ağzını (arka taraf) temizleyin 2°Teknik servis
	X	X	Jeneratör arızalı	Teknik servis

SADRŽAJ PARAGRAFA

1...	<i>OPIS</i>
2...	<i>UPOZORENJA</i>
3...	<i>TIP GORIVA</i>
4...	<i>POVEZIVANJE I ZAMJENA PLINSKE BOCE</i>
5...	<i>POVEZIVANJE NA ELEKTRIČNU MREŽU</i>
6...	<i>UKLJUČIVANJE RUČNIH MODELA (... / ...M / ...DV / ...M DV)</i>
7...	<i>UKLJUČIVANJE ELEKTRONSKIH MODELA (...E / ...ET)</i>
8...	<i>REGULIRANJE TOPLINSKE SNAGE</i>
9...	<i>ISKLJUČIVANJE RUČNIH MODELA (... / ...M / ...DV / ...M DV)</i>
10...	<i>ISKLJUČIVANJE ELEKTRONSKIH MODELA (...E / ...ET)</i>
11...	<i>ČIŠĆENJE I ODRŽAVANJE</i>
12...	<i>POVEZIVANJE SA AMBIJENTALNIM TERMOSTATOM (...E / ...ET)</i>
13...	<i>ANOMALIJE U RADU, UZROCI I RJEŠENJA</i>

VAŽNO: PROČITAJTE I SHVATITE SADRŽAJ OVOG OPERATIVNOG PRIRUČNIKA PRIJE NEGO ŠTO POČNETE SA SASTAVLJANJEM, PUŠTANJEM U RAD ILI ODRŽAVANJEM OVOG GENERATORA. NEPRAVILNO KORIŠTENJE GENERATORA MOŽE DOVESTI DO OZBILJNIH POVREDA. ČUVAJTE OVAJ PRIRUČNIK DA BISTE GA MOGLI U BUDUĆNOSTI KONZULTIRATI.

hr ►► 1. OPIS

Ovaj generator je prenosivi grijač zraka koji radi na tekući plin i koji u potpunosti koristi gorivo preko toplinske izmjene direktnim miješanjem usisavanog zraka i produkata sagorijevanja. Opremljen je praktičnom ručicom radi što jednostavnijeg prijenosa i pokretanja. Aparat je realiziran u skladu s Propisom EN 1596.

►► 2. UPOZORENJA

►⚠**VAŽNO:** Ne koristite za zagrijavanje stambenih prostora u stambenim zgradama; što se tiče korištenja u javnim zgradama, konzultirajte državne pravilnike.

►⚠**VAŽNO:** Ovaj uređaj nije prikladan za korištenje od strane osoba (uključujući i djecu) koji imaju smanjene tjelesne, osjetilne i mentalne sposobnosti ili onih koje su neiskusne

osim u slučajevima u kojima ih nadgleda osoba odgovorna za njihovu sigurnost. Treba kontrolirati djecu kako se ne bi igrala s aparatom. Držite životinje na sigurnosnoj udaljenosti od aparata.

►⚠**VAŽNO:** Nepravilno korištenje ovog generatora može nanijeti štetu ili dovesti ljudske živote u opasnost, može dovesti do ozljeda, opekotina, eksplozije, električnog udara ili trovanja. Prvi simptomi gušenja ugljičnim monoksidom nalikuju onima gripe s glavoboljom, vrtoglavicom i/ili mučninom. Takvi simptomi mogu biti uzrokovani lošim funkcioniranjem generatora. **USLUČAJU DASE POJAVE OVI SIMPTOMI, ODMAH IZADITE NA OTVORENI PROSTOR** i neka generator popravi tehnička servisna služba.

▶ **⚠VAŽNO:** Sve operacije čišćenja, održavanja i popravki koje predviđaju pristup opasnim zonama (kao što je na primjer zamjena oštećenog kabela) treba obaviti proizvođač, njegova tehnička servisna služba, osoba koja ima sličnu kvalifikaciju na način da se onemogućí nastajanje bilo kojeg rizika, čak iako je predviđeno iskapčanje sa napajanja strujom.

▶ **2.1.**Što se tiče pravilnog korištenja generatora i čuvanja goriva, pridržavajte se svih lokalnih pra i pravila na snazi.

▶ **2.2.**Generator da bi mogao raditi ima potrebu za prikladnom cirkulacijom zraka. Zato se on treba koristiti na otvorenom prostoru ili u prostorijama u kojima je cirkulacija zraka osigurana i konstantna. Dobra ventilacija je osigurana kada je zapremnina sobe izračunata na osnovi toplinske snage, s formulom 1 m^3 svako 100 W snage. Ni u kojem slučaju zapremnina prostorije ne smije biti manja od 100 m^3 . Dobru ventilaciju jamči otvor koji zadovoljava formulu od 25 cm^2 za svaki kW toplinske snage, s minimumom od 250 cm^2 , koji je na podjednaki način podijeljen između gornjeg i donjeg dijela sobe. Što se tiče instalacije, vrijede državni propisi na snazi, uključujući i tehničke propise te odredbe za spriječavanje nesreća i požara.

▶ **2.3.**Aparat se treba koristiti samo kao generator toplog zraka (način grijanja) ili ventilator (način ventilacije za modele koji predviđaju tu funkciju). Što se tiče korištenja strogo se pridržavajte ovih uputa.

▶ **2.4.**Proizvođač otklanja sa sebe bilo koju odgovornost za štetu nanесenu predmetima i/ili osobama a koja je posljedica neprikladne uporabe aparata.

▶ **2.5.**Obavljajte napajanje generatora samo tipom goriva koje je izričito navedeno i s naponom i frekvencijom

napisanom na tabli s podacima koja se nalazi na generatoru.

▶ **2.6.**Uvjerite se da ćete povezati generator samo na električnu mrežu koja je na prikladan način opremljena diferencijalnom sklopkom i prikladnim uzemljenjem.

▶ **2.7.**Koristite samo produžetke koji imaju prikladan presjek i s žicom za uzemljenje.

▶ **2.8.**Generator treba raditi na stabilnoj, dobro niveliranoj površini i vatrousporavajućoj površini na način da se spriječi bilo koji rizik od požara.

▶ **2.9.**Apsolutno se zabranjuje korištenje aparata u podrumima ili ispod razine tla.

▶ **2.10.**Generator se ne smije koristiti u prostorijama u kojima ima eksplozivne prašine, dima, plina, goriva, rastvarača, lakova.

▶ **2.11.**Kada god se generator bude koristio u blizini cerada, zavjesa ili sličnih materijala za pokrivanje, savjetujemo Vam korištenje dodatne zaštite vatrousporavajućeg tipa. Pazite da održavate prikladnu udaljenost koja ni u kom slučaju ne smije biti manja od $2,5 \text{ m}$ od zapaljivih materijala (tkanina, papira, drva itd.) ili nepostojanih na toplinu (uključujući i kabel za napajanje), od vrućih dijelova generatora.

▶ **2.12.**Postavite plinsku bocu u zaštićeni položaj, iza aparata (Sl. 1). Generator se nikada ne smije usmjeravati prema plinskoj boci (Sl. 2).

▶ **2.13.**Zabranjuje se potpuno ili djelimično začepljavanje otvora za usis zraka (na stražnjoj strani) i/ili otvora za odsis zraka (na prednjoj strani) (Sl. 3). Izbjegavajte korištenja bilo kakvog sprovodnika zraka iz/u generator. Kontrolirajte da se ne blokiraju otvori za usis zraka koji se nalaze na dnu baze (za modele koji primjenjuju ovakav način usisa).

▶ **2.14.**U slučaju neuključivanja ili anomalnog uključivanja generatora,

konzultirajte prikladni odjeljak (Parag. "13. ANOMALIJE U FUNKCIONIRANJU, UZROCI I RJEŠENJA").

► **2.15.** Generator se nikada ne smije pomicati dok radi te se na njemu ne smije obavljati nikakva intervencija održavanja.

► **2.16.** U bilo kakvom načinu uporabe ili stajanja aparata pripazite da se fleksibilno crijevo za plin ne ošteti (nagnječi, savije, zapliće, zateže).

► **2.17.** Ako osjetite miris plina, odmah isključite aparat, zatvorite plinsku bocu, iskopčajte utikač iz utičnice i naknadno kontaktirajte tehnički servis.

► **2.18.** U slučaju da se crijevo za plin treba zamijeniti, koristite samo fleksibilna crijeva koja su prikladna za korišteni pritisak i pri tome vodite računa na državne propise u svezi sa time. Crijevo za plin treba biti dugo 1,5 m.

► **2.19.** Kada aparat kontrolira ambijentalni termostat (opcionalni proizvod), generator se može ponovno uključiti u bilo kojem trenutku to jest kada god temperatura siđe ispod postavljene razine.

► **2.20.** Kada se ne bude koristio, iskopčajte generator iz zidne utičnice, zatvorite napajanje plinom, iskopčajte crijevo za plin s generatora i zatvorite ulaz plina u generator.

► **2.21.** Neka tehnička servisna služba barem jedan put godišnje i/ili prema potrebama kontrolira pravilan rad generatora.

►► 3. TIP GORIVA

Koristite samo plin kategorije I₃B/P.

►► 4. POVEZIVANJE I ZAMJENA PLINSKE BOCE

Plinsku bocu treba zamijeniti na otvorenom prostoru, daleko od izvora topline u atmosferama u kojima nema plamena.

Što se tiče povezivanja plinskih boca sa generatorom, trebate koristiti samo slijedeću opremu:

•Fleksibilno crijevo za tekući plin.

•Regulator pritiska tekućeg plina zajedno sa sigurnosnim ventilom.

KONTROLIRAJTE CJELOVITOST CRIJEVA ZA NAPAJANJE PLINOM. U SLUČAJU POTREBE DA SE ZAMIJENI, KORISTITE SAMO FLEKSIBILNA CRIJEVA KOJA IMAJU PRIKLADAN PRITISAK I PRIDRŽAVAJTE SE U SVEZI SA TIME NACIONALNIH PRA.

► Da biste povezali generator sa plinskom bocom trebate:

POZOR: SVI SU NAVOJI NA LIJEVO, ZNAČI TREBAJU SE STEZATI U SMJERU SUPROTNOM OD SMJERA KAZALJKI NA SATU.

► **4.1.** Stegnite generatorovo crijevo za plin (Sl. 4).

► **4.2.** Instalirajte regulator pritiska na plinsku bocu. Uvjerite se da na regulatoru postoji brtva (ako to predviđa vrsta priključka) (Sl. 5).

► **4.3.** Povežite crijevo za plin sa regulatorom pritiska (Sl. 6).

► **4.4.** Otvorite ventil plinske boce (Sl. 7).

► **4.5.** Pritisnite gumb za odblokadu regulatora (Sl. 8).

Kontrolirajte nepropusnost spojnica uz pomoć vode i sapunice: pojave li se mjehurići to znači da ima propuštanja plina (Sl. 9). Moguće je povezati međusobno nekoliko plinskih boca kako bi imali što veću autonomiju. **Savjetujemo korištenje plinskih boca od 30 kg, sve do toplinske snage od 33 kW, kada se radi o snazi većoj od 33 kW koristite plinske boce koje imaju veći kapacitet. Preporučujemo korištenje plinskih boca prikladnog kapaciteta kako bi se izbjegli problemi koji su posljedica nedostatka goriva. Pravilan radni**

pritisak (pogledajte pločicu s podacima koja se nalazi na generatoru) određuje regulator kojim ste opremljeni ili neki ekvivalentni model.

▶▶ 5. POVEZIVANJE NA ELEKTRIČNU MREŽU UVJERITE SE U PRAVILNO UZEMLJENJE VAŠEG ELEKTRIČNOG UREĐAJA.

Prije nego što povežete generator na električnu mrežu, uvjerite se da su napon i frekvencija napajanja pravilni (pogledajte pločicu s natpisima koja se nalazi na generatoru). Povezivanje na električnu mrežu (Sl. 10) se treba obaviti u skladu sa nacionalnom propisima na snazi.

▶▶ 6. UKLJUČIVANJE RUČNIH MODELA (... / ...M / ...DV / ...M DV)

VAŽNO: Kada se radi o modelima ...DV / ...M DV, kontrolirajte položaj prekidača za izmjenu napona (220-240V / 110-120V) (Sl. 11). Ako se napon postavljen na aparatu ne podudara onim mreže, trebate obaviti prilagođavanje napona. Odvijte 2 vijka za pričvršćivanje poklopca (Sl. 12), postavite prekidač na vrijednost novog napona (Sl. 13) i ponovno postavite poklopac (Sl. 14).

• 6.1. NAČIN GRIJANJE:

▶ 6.1.1. Postavite prekidač "O/I" u položaj "I" (Sl. 15).

▶ 6.1.2. Pritisnite gumb za plin do kraja i držite ga pritisnutim (Sl. 16).

▶ 6.1.3. Temeljito i više puta pokrenite piezoelektrični upaljač (Sl. 17), držeći pritisnutim gumb za plin (Sl. 16).

▶ 6.1.4. Nakon što se upali plamen, držite pritisnutim gumb za plin u trajanju od otprilike 15 sekundi (Sl. 18).

▶ 6.1.5. Otpustite gumb za plin (Sl. 19).

U slučaju nestanka struje ili nedostatka plina, aparat će se isključiti. Ponovno uključivanje generatora neće biti automatsko nego se treba ručno obaviti na način da se ponovi procedura uključivanja.

Ako se aparat ne uključi, konzultirajte prikladni odjeljak (Parag. "13. ANOMALIJE U FUNKCIONIRANJU, UZROCI I RJEŠENJA").

• 6.2. NAČIN VENTILACIJE:

Generator se može koristiti i kao ventilator. Povežite generator na električnu mrežu (Sl. 10) i postavite prekidač "O/I" u položaj "I" (Sl. 15).

NAPOMENA.: Kada generator funkcionira u načinu grijanje, prije nego što prijedete na način ventilacije, obavite pravilno isključivanje kada se radi o ručnim modelima [Parag. "9. ISKLJUČIVANJE RUČNIH MODELA (... / ...M / ...DV / ...M DV)"].

▶▶ 7. UKLJUČIVANJE ELEKTRONSKIH MODELA (...E / ...ET)

▶ 7.1. Postavite prekidač "O/I" u položaj "I" (Sl. 15).

▶ 7.2. Pritisnite gumb za "RESET" (Sl. 20).

Generator počinje analizu sekvenci i poslije otprilike 20÷30 se pali plamen (pogledajte shemu funkcioniranja na Sl. 21).

U slučaju nestanka struje ili nedostatka plina, aparat će se isključiti. Ponovno uključivanje generatora neće biti automatsko nego se treba ručno obaviti na način da se pritisne gumb za "RESET" (Sl. 20).

Ako se aparat ne uključi, konzultirajte prikladni odjeljak (Parag. "13. ANOMALIJE U FUNKCIONIRANJU, UZROCI I RJEŠENJA").

POZOR: U slučaju da se generator zaustavi radi intervencije ambijentalnog termostata (radi se o opcionalnom proizvodu), aparat će se automatski ponovno uključiti kada se temperatura spusti ispod postavljene granične razine.

▶▶ 8. REGULIRANJE TOPLINSKE SNAGE

S obzirom na tip generatora, moguće je regulirati toplinsku snagu aparata. Toplinska snaga se može regulirati na način da okrećete ručicu koja se nalazi na bazi generatora (Sl. 22), ili na regulatoru pritiska koji je postavljen na plinskoj boci (Sl. 23) i to s obzirom na model.

▶▶ 9. ISKLJUČIVANJE RUČNIH MODELA (... / ...M / ...DV / ...M DV)

▶ 9.1. Zatvorite plinsku bocu (Sl. 24).

▶ 9.2. Ostavite ventilator da radi u trajanju od otprilike 60 s, kako ne bi došlo do unutrašnjih oštećenja zbog prezagrijavanja (unutrašnje hlađenje generatora).

▶ 9.3. Postavite prekidač "O/I" u položaj "O" (Sl. 25).

▶ 9.4. Iskopčajte generator sa električne mreže (Sl. 26).

▶ 9.5. Iskopčajte generator sa crijeva za napajanje plinom (Sl. 27-28-29).

▶▶ 10. ISKLJUČIVANJE ELEKTRONSKIH MODELA (...E / ...ET)

▶ 10.1. Postavite prekidač "O/I" u položaj "O" (Sl. 25). Plamen će se isključiti a generator će obaviti fazu post-ventilacije. Pričekajte da se ciklus završi kako ne bi došlo do unutrašnjih oštećenja aparata zbog prezagrijavanja (ta je faza automatska i može trajati od 50 s±5 min s obzirom na dostignutu unutrašnju/vanjsku temperaturu generatora).

▶ 10.2. Zatvorite plinsku bocu (Sl. 24).

▶ 10.3. Iskopčajte generator s električne mreže (Sl. 26).

▶ 10.4. Iskopčajte generator sa crijeva za napajanje plinom (Sl. 27-28-29).

NAPOMENA.: Izbjegavajte iskopčavanje generatora s električne mreže prije završetka faze post ventilacije na način da se izbjegnu unutrašnja oštećenja zbog prezagrijavanja.

▶▶ 11. ČIŠĆENJE I ODRŽAVANJE

Barem jedan put na godinu i/ili po potrebi neka tehnički servis kontrolira pravilan rad generatora. Prije nego što ga odložite nakon uporabe, aparat se treba očistiti.

▶ 11.1. Prije nego što počnete sa bilo kakvim održavanjem ili popravljanjem aparata, obavite sekvencu isključivanja [Parag. "9. ISKLJUČIVANJE RUČNIH MODELA (... / ...M / ...DV / ...M DV)" ili "10. ISKLJUČIVANJE ELEKTRONSKIH MODELA (...E / ...ET)"].

▶ 11.2. Čišćenje se odnosi samo na usis zraka (na stražnjoj strani) generatora.

▶ 11.3. Kada se aparat bude ponovno koristio kontrolirajte cjelovitost crijeva za plin i kabela za napajanje; u slučaju da sumnjate u njihovu cjelovitost, zatražite intervenciju tehničkog servisa.

▶ 11.4. Ne obavljajte neovlaštene intervencije na uređaju.

▶▶ 12. POVEZIVANJE AMBIJENTALNOG TERMOSTATA (...E / ...ET) (opcionalno)

Skinite čep povezan na aparat i povežite (opcionalni) ambijentalni termostat (Sl. 30).

Pogledajte električnu shemu (...E / ...ET).

►► 13. ANOMALIJE U FUNKCIONIRANJU, UZROCI I RJEŠENJA

ANOMALIJE U FUNKCIONIRANJUM ...DV ...M DV	...E ...ET	UZROCI	RJEŠENJA
Motor se ne pokreće	X	X	Nema napona	1°Kontrolirajte uređaj mreže 2°Tehnički servis
	X	X	Kabel za napajanje defektan/oštećen	Tehnički servis
	X	X	Motor u kvaru	Tehnički servis
		X	Pogrešno povezivanje ambijentalnog termostata	Pravilno povežite ambijentalni termostad
Plamen se ne pali	X	X	Plinska boca je potrošena	Zamijenite plinsku bocu (Parag. 4)
	X	X	Sigurnosni ventil regulatora je blokiran	1°Pritisnite gumb ua odblokadu plina regulatora (Sl. 8) 2°Tehnički servis
	X	X	Slavina plinske boce je zatvorena	Otvorite slavinu plinske boce (Sl. 7)
	X	X	Krug za uključivanje je defektan	Tehnički servis
		X	Uzemljenje nije efikasno	Kontrolirajte pravilno uzemljenje vašeg uređaja
Plamen ne ostaje upaljenim	X		Gumb za plin je pritisnut u prekratkom vremenu	Pritisnite gumb za plin dulje (Parag. 6.1.4.)
	X	X	Generator je defektan	Tehnički servis
Gašenje plamena tijekom funkcioniranja	X	X	Nedovoljno napajanje plinom	1°Zamijenite plinsku bocu (Parag. 4) 2°Tehnički servis
	X	X	Ne dolazi do uplinjavanja goriva	Koristite plinske boce prikladnog kapaciteta (Parag. 4)
	X	X	Prezagrijavanje aparata	1°Očistite otvor za ulaz zraka (na stražnjoj strani) 2°Tehnički servis
	X	X	Generator je defektan	Tehnički servis

PASTRAIPŲ SANTRAUKA

1...	APRAŠAS
2...	ĮSPĖJIMAI
3...	DEGALŲ TIPAS
4...	DUJŲ BALIONO PRIJUNGIMAS IR PAKEITIMAS
5...	PRIJUNGIMAS PRIE ELEKTROS TINKLO
6...	RANKINIŲ MODELIŲ PALEIDIMAS (... / ...M / ...DV / ...M DV)
7...	ELEKTRONINIŲ MODELIŲ PALEIDIMAS (...E / ...ET)
8...	ŠILUMINĖS GALIOS REGULIAVIMAS
9...	RANKINIŲ MODELIŲ IŠJUNGIMAS (... / ...M / ...DV / ...M DV)
10...	ELEKTRONINIŲ MODELIŲ IŠJUNGIMAS (...E / ...ET)
11...	VALYMAS IR PRIEŽIŪRA
12...	APLINKOS TERMOSTATO PRIJUNGIMAS (...E / ...ET)
13...	VEIKIMO TRIKTYS, PRIEŽASTYS IR PRIEMONĖS

SVARBU: PRIEŠ SURINKDAMI, PALEISDAMI ŠĮ GENERATORIŲ AR ATLIKDAMI JO PRIEŽIŪRĄ PERSKAITYKITE IR SUPRASKITE ŠĮ VEIKIMO VADOVĄ. NETINKAMAI NAUDODAMI GENERATORIŲ GALITE RIMTAI SUSIŽEISTI. SAUGOKITE ŠĮ VADOVĄ, KAD GALĖTUMĖTE JĮ PERSKAITYTI ATEITYJE.

►► 1. APRAŠAS

Šis generatorius yra nešiojamasis oro šildytuvas, kuriame naudojamos suskystintos dujos. Jam būdinga tai, jog degalai visiškai sudega dėl šiluminių mainų tiesiogiai maišantis įsiurbtam orui ir degimo produktams. Generatoriuje yra patogi rankena, dėl kurios tampa lengviau jį gabenti ir kelti. Prietaisas pagamintas laikantis standarto EN 1596.

►► 2. ĮSPĖJIMAI

►⚠️ **SVARBU:** Nenaudokite gyvenamųjų pastatų gyvenamosioms erdvėms šildyti; visuomeniniuose pastatuose naudokite vadovaudamiesi šalyje galiojančiomis taisyklėmis.

►⚠️ **SVARBU:** Šis prietaisas nepritaikytas naudoti asmenims (ir vaikams), kurių sumažėję fiziniai, jutimų ir protiniai gebėjimai, arba asmenims, kurie neįgudę šį prietaisą

naudoti, nebent juos prižiūri už jų saugą atsakingas asmuo. Vaikus reikia prižiūrėti, kad jie su prietaisu nežaistų. Gyvūnus laikykite saugiu atstumu.

►⚠️ **SVARBU:** Netinkamai naudojant šį generatorių gali kilti grėsmė žmonių gyvybei, galite susižeisti, nudegti, gali įvykti sprogdimas, jus gali nutrenkti elektra arba galite apsinuodyti. Pirmieji dusulio nuo anglies oksido simptomai panašūs į gripo - skauda galvą, ji sukasi ir (arba) vemiami. Šiuos simptomus gali sukelti ir netinkamas generatoriaus veikimas. **PASTEBĖJĘ ŠIUOS SIMPTOMUS NEDELSDAMI IŠEIKITE Į LAUKĄ,** o techninės pagalbos specialistai tegu sutaiso generatorių.

►⚠️ **SVARBU:** Visas valymo, priežiūros ir taisymo operacijas, susijusias su pavojingosiomis dalimis (pvz., apgadinto elektros srovės

tiekimu kabelio pakeitimas) turi atlikti gamintojas, jo techninės pagalbos tarnyba ar panašios kvalifikacijos asmuo, kad būtų išvengta bet kokio pavojaus, net jei prietaisas yra išjungtas iš elektros tinklo.

► **2.1.** Jei norite tinkamai naudoti generatorių ir laikyti degalus, laikykitės vietinių nurodymų ir galiojančių reglamentų.

► **2.2.** Generatoriui reikia, kad vyktų tinkama oro apykaita. Todėl jį reikia naudoti lauke arba patalpose, kuriose užtikrinama nuolatinė oro apykaita. Tinkamas vėdinimas užtikrinamas tada, kai kambario tūris atitinka šiluminę galią, vadovaujantis formule, kad vienam 1 m³ tenka 100 W galios. Rekomenduojama, kad patalpos tūris niekada nebūtų mažesnis nei 100 m³. Geras vėdinimas užtikrinamas per angą, kurios dydis atitinka formulę, kad 1 kW šiluminės galios tektų 25 cm², t. y. ji mažiausiai turi būti 250 cm² dydžio, tolygiai padalyta tarp aukštesniosios ir žemesniosios patalpos dalies. Montuodami laikykitės galiojančių vietinių taisyklių, turint omenyje ir techninius reikalavimus bei galimybę naudotis nelaimingų atsitikimų prevencijos ir priešgaisrinėmis priemonėmis.

► **2.3.** Prietaisą galima naudoti tik kaip karšto oro generatorių (šildymo režimas) arba ventiliatorių (vėdinimo režimas tuose modeliuose, kuriuose ši galimybė numatyta). Naudodami prietaisų skrupulingai laikykitės šių instrukcijų.

► **2.4.** Gamintojas neprisiima jokios atsakomybės už žalą daiktams ir (arba) žmonėms, kilusią netinkamai naudojant prietaisą.

► **2.5.** Generatoriui naudokite tik konkrečius nurodytus degalus, jį junkite tik į ant generatoriaus esančioje lentelėje

nurodytos įtampos ir dažnio elektros srovę.

► **2.6.** Įsitinkinkite, kad generatorių jungiate tik į elektros tinklą, kuriame tinkamai sumontuotas diferencialinis išjungiklis ir tinkamas įžeminimas.

► **2.7.** Naudokite tik atitinkamų skyrių ilgaklius su įžeminimo laidu.

► **2.8.** Generatorius turi veikti ant tolygaus, stabilaus ir nedegaus paviršiaus, kad nekiltų gaisras.

► **2.9.** Griežtai draudžiama prietaisą naudoti pusrūsiuose arba požemiuose arba požemiuose.

► **2.10.** Generatorius neturi būti naudojamas patalpose, kuriose yra sprogių miltelių, dūmų, dujų, degalų, tirpiklių, dažų.

► **2.11.** Jei generatorius naudojamas šalia brezento, uždangų ir panašių dengiamųjų medžiagų, rekomenduojama naudoti papildomas nedegias apsaugas. Pasirūpinkite, kad atstumas tarp degių (audinių, popieriaus, medienos ir pan.) arba termolabilių medžiagų (įskaitant ir maitinimo kabelį) ir įkaitusių generatoriaus detalių būtų saugus ir jokių būdu nebūtų mažesnis nei 2,5 m.

► **2.12.** Dujų balioną padėkite saugioje padėtyje, už prietaiso (1 Pav.). Generatorius niekada neturi būti nukreiptas į dujų balioną (2 Pav.).

► **2.13.** Dėl jokių priežasčių niekada visiškai ar iš dalies neuždenkite oro sklendės (galiniame krašte) ir (arba) oro išėjimo angos (priekiniame krašte) (3 Pav.). Nenaudokite jokių oro vamzdelių, einančių iš generatoriaus ar į jį. Įsitinkinkite, kad nėra uždengti oro siurbimo plyšiai ant dugno (modeliuose, kuriuose jie yra).

► **2.14.** Jei generatoriaus neišveina įjungti arba jis netinkamai įsijungia, žr. reikiamą skyrių („13. VEIKIMO TRIKTYS, PRIEŽASTYS, PRIEMONĖS“).

► **2.15.** Veikiančio generatoriaus negalima perkelti į kitą vietą, imti į rankas ar atlikti jam bet kokią priežiūrą.

► **2.16.** Kai naudojate prietaisą arba jis yra nenaudojamas, stebėkite, kad nebūtų sugadintas dujų liaunasis vamzdis (prispaustas, sulenktas, persisukęs, ištemptas).

► **2.17.** Jei jaučiate dujų kvapą, nedelsdami išjunkite prietaisą, užsukite dujų balioną, atjunkite tinklo kištuką ir kreipkitės techninės pagalbos.

► **2.18.** Jei norite pakeisti dujų liaunąjį vamzdį, naudokite tik tinkamo naudojamo slėgio tipo lanksčiuosius vamzdžius ir vadovaukitės vietiniais reglamentais. Dujų vamzdis turi būti 1,5 m ilgio.

► **2.19.** Kai prietaisas yra kontroliuojamas aplinkos termostatu (papildoma detalė), generatorius gali įsijungti bet kuriuo metu, t. y. tada, kai temperatūra nukrenta žemiau nustatytos ribos.

► **2.20.** Kai generatorius nenaudojamas, atjunkite jį nuo tinklo lizdo, išjunkite dujų tiekimą, nuo generatoriaus atjunkite dujų vamzdį ir užkimškite generatoriaus dujų angą.

► **2.21.** Bent kartą per metus ir (arba) pagal poreikį techninės pagalbos specialistai turi patikrinti, ar generatorius tinkamai veikia.

►► **3. DEGALŲ TIPAS**

Naudokite tik L₃B/P klasės dujas.

►► **4. DUJŲ BALIONO PRIJUNGIMAS IR PAKEITIMAS**

Dujų balioną keiskite atvirame ore, toli nuo šilumos šaltinių, aplinkoje, kurioje niekas neliepsnoja.

Jei norite prijungti dujų balioną prie generatoriaus, turite naudoti tik šiuos priedus:

• Suskystintų dujų liaunąjį vamzdį.

• Suskystintų dujų slėgio reguliavimo įtaisą per su apsauginiu vožtuvu.

PATIKRINKITE, AR DUJŲ TIEKIMO VAMZDIS NESUTRŪKĖS. JEI JŲ REIKIA PAKEISTI, NAUDOKITE TIK NAUDOJIMO SLĖGIUI PRITAIKYTO TIPO LIAUNĄJĮ VAMZDĮ IR VADOVAUKITĖS VIETINIAIS REGLAMENTAIS.

► Jei norite prijungti generatorių prie dujų baliono:

DĖMESIO: VISI SRIEGIMAI YRA KAIRINIAI, TAIGI JUOS REIKIA UŽVERŽTI PRIEŠ LAIKRODŽIO RODYKLĘ.

► **4.1.** Prisukite dujų vamzdį prie generatoriaus jungties (4 Pav.).

► **4.2.** Ant dujų baliono sumontuokite slėgio reguliavimo įtaisą. Įsitinkite, kad reguliavimo įtaise yra tarpiklis (jei jis turi būti, turint omenyje jungties tipą) (5 Pav.).

► **4.3.** Prijunkite dujų balioną prie slėgio reguliavimo įtaiso (6 Pav.).

► **4.4.** Atsukite dujų baliono kranelį (7 Pav.).

► **4.5.** Spustelėkite reguliavimo įtaiso atblokavimomygtuką (8 Pav.). **Patikrinkite jungčių sandarumą muilinu vandeniu: jei kyla burbuliukų, reiškia, nuteka dujos (9 Pav.).** Galima tarpusavyje sujungti kelis dujų balionus, kad jie būtų labiau savarankiški. **Rekomenduojama naudoti 30 kg svorio dujų balionus, kurių šiluminė galia yra ne didesnė nei 33 kW, nes jei galia didesnė nei 33 kW, reikia naudoti didesnio tūrio dujų balionus. Rekomenduojama naudoti tinkamo tūrio dujų balionus, kad būtų išvengta problemų, susijusių su tuo, kad degalai nevirsta dujomis.** Tinkamas veikimo slėgis (žr. duomenų lentelę ant generatoriaus) priklauso nuo numatyto reguliavimo įtaiso ar tokio paties modelio.

►► 5. PRIJUNGIMAS PRIE ELEKTROS TINKLO PATIKRINKITE, AR ELEKTROS SISTEMA TINKAMAI ĮŽEMINTA.

Prieš prijungdami generatorių prie elektros tinklo įsitikinkite, kad tiekiamos srovės įtampa ir dažnis yra tinkami (žr. lentelę ant generatoriaus). Prie elektros tinklo (10 Pav.) generatorių reikia prijungti vadovaujantis šalyje galiojančiomis normomis.

►► 6. RANKINIŲ MODELIŲ ĮJUNGIMAS (... / ...M / ...DV / ...M DV)

SVARBU: Modeliuose ...DV / ...M DV patikrinkite srovės keitiklio (220-240V / 110-120V) jungiklio padėtį (11 Pav.). Jei prietaise nustatyta įtampa neatitinka tinklo įtampos, reikia ją pritaikyti. Atsukite abu gaubto fiksavimo varžtus (12 Pav.), nustatykite jungiklį ties tiekiamos įtampos reikšme (13 Pav.) ir vėl uždėkite gaubtą (14 Pav.).

• 6.1. ŠILDYMO REŽIMAS:

► 6.1.1. Jungiklį „O/I“ nustatykite į padėtį „I“ (15 Pav.).

► 6.1.2. Iki galo nuspauskite ir laikykite nuspaudę dujų mygtuką (16 Pav.).

► 6.1.3. Iki galo ir kelis kartus nuspauskite pjezoelektrinį uždegiklį (17 Pav.), laikydami nuspaudę dujų mygtuką (16 Pav.).

► 6.1.4. Užsidegus liepsnai laikykite nuspaudę dujų mygtuką dar maždaug 15 s (18 Pav.).

► 6.1.5. Atleiskite dujų mygtuką (19 Pav.). Jei įvyko elektros energijos pertrūkis ar nėra dujų, prietaisas išsijungs. Jis neįsijungia automatiškai - šį prietaisą iš naujo įjungti reikia rankomis, pakartojus įjungimo procedūrą.

Jei prietaisas neįsijungia, žr. reikiamą skyrių („13. VEIKIMO TRIKTYS, PRIEŽASTYS, PRIEMONĖS“).

• 6.2. VĖDINIMO REŽIMAS:

Generatorius gali būti naudojamas kaip ventiliatorius. Įjunkite generatorių į elektros tinklą (10 Pav.) ir nustatykite jungiklį „O/I“ į padėtį „I“ (15 Pav.).

N.B.: Jei generatorius veikia šildymo režimu, o jūs norite perjungti jį į vėdinimo režimą, tinkamai atlikite rankinių modelių išjungimo veiksmų seką [„9. RANKINIŲ MODELIŲ IŠJUNGIMAS (... / ...M / ...DV / ...M DV)“].

►► 7. ELEKTRONINIŲ MODELIŲ ĮJUNGIMAS (...E / ...ET)

► 7.1. Jungiklį „O/I“ nustatykite į padėtį „I“ (15 Pav.).

► 7.2. Spustelėkite mygtuką „RESET“ (20 Pav.).

Generatorius pradeda analizės seką ir po 20÷30 s užsidega liepsna (žr. veikimo schemą 21 Pav.).

Jei įvyko elektros energijos pertrūkis ar nėra dujų, prietaisas išsijungs. Jis neįsijungia automatiškai - šį prietaisą iš naujo įjungti reikia rankomis, spustelėjus mygtuką „RESET“ (20 Pav.).

Jei prietaisas neįsijungia, žr. reikiamą skyrių („13. VEIKIMO TRIKTYS, PRIEŽASTYS, PRIEMONĖS“).

DĖMESIO: Jei generatorius sustoja dėl to, kad suveikė aplinkos termostatas (papildoma detalė), jis iš naujo įsijungia automatiškai, kai temperatūra nukrenta žemiau nustatytos ribos.

►► 8. ŠILUMINĖS GALIOS REGULIAVIMAS

Atsižvelgiant į generatoriaus tipą galima reguliuoti jo šiluminę galią. Ją galima reguliuoti valdymo rankena ant generatoriaus pagrindo (22 Pav.) arba ant dujų baliono sumontuotu slėgio reguliavimo įtaisu (23 Pav.) - atsižvelgiant į tai, koks yra modelis..

►► 9. RANKINIŲ MODELIŲ IŠJUNGIMAS (... / ...M / ...DV / ...M DV)

- 9.1. Užsukite dujų balioną (24 Pav.).
- 9.2. Leiskite ventiliatoriui veikti maždaug 60 s, kad jam nepakenktų perkaitimas (generatorius atvės iš vidaus).
- 9.3. Jungiklį „O/I“ nustatykite į padėtį „O“ (25 Pav.).
- 9.4. Išjunkite generatorių iš elektros tinklo (26 Pav.).
- 9.5. Atjunkite generatorių nuo dujų tiekimo vamzdžio (27-28-29 Pav.).

►► 10. ELEKTRONINIŲ MODELIŲ IŠJUNGIMAS (...E / ...ET)

- 10.1. Jungiklį O/I nustatykite į padėtį O (25 Pav.). Liepsna užges, ir prasidės generatoriaus fazė po vėdinimo. Palaukite, kol baigsis ciklas, kad dėl perkaitimo prietaisas nesugestų (fazė yra automatinė ir gali trukti nuo 50 s iki 5 min, atsižvelgiant į generatoriaus vidaus ir išorės temperatūrą).
 - 10.2. Užsukite dujų balioną (24 Pav.).
 - 10.3. Išjunkite generatorių iš elektros tinklo (26 Pav.).
 - 10.4. Atjunkite generatorių nuo dujų tiekimo vamzdžio (27-28-29 Pav.).
- N.B.: Neišjunkite generatoriaus iš elektros tinklo nepasibaigus fazei po vėdinimo, kad dėl perkaitimo nesugestų sistema.**

►► 11. VALYMAS IR PRIEŽIŪRA

Bent kartą per metus ir (arba) pagal poreikį techninės pagalbos specialistai turi patikrinti, ar generatorius tinkamai veikia. Prieš vėl jį pradėdant naudoti prietaisas turi būti išvalytas.

► 11.1. Prieš pradėdami bet kokius priežiūros, patikros ir taisymo darbus atlikite išjungimo veiksmų seką [„9. RANKINIŲ MODELIŲ IŠJUNGIMAS (... / ...M / ...DV / ...M DV)“ arba „10. ELEKTRONINIŲ MODELIŲ IŠJUNGIMAS (...E / ...ET)“].

- 11.2. Valyti reikia tik generatoriaus oro sklendę (galiniame krašte).
- 11.3. Kai prietaisas naudojamas iš naujo, patikrinkite, ar sveikas dujų vamzdis ir tiekimo kabelis; jei abejojate, ar jie neapgadinti, kreipkitės techninės pagalbos.
- 11.4. Neatlikite neleistinių veiksmų.

►► 12. APLINKOS TERMOSTATO PRIJUNGIMAS (...E / ...ET) (papildomas)

Nuimkite su prietaisu sujungtą dangtelį ir prijunkite aplinkos termostatą (papildomas) (30 Pav.). Žr. elektros schemą (...E / ...ET).

► ► 13. VEIKIMO TRIKTYS, PRIEŽASTYS IR PRIEMONĖS

VEIKIMO TRIKTYSM ...DV ...M DV	...E ...ET	PRIEŽASTYS	PRIEMONĖS
Variklis neužsiveda	X	X	Nėra įtampos	1° Patikrinkite tinklo sistemą 2° Techninė pagalba
	X	X	Tiekimo kabelio defektas / apgadintas tiekimo kabelis	Techninė pagalba
	X	X	Sugedo variklis	Techninė pagalba
		X	Netinkamai prijungtas aplinkos termostatas	Tinkamai prijunkite aplinkos termostatą
Neužsidega liepsna	X	X	Balione baigėsi dujos	Pakeiskite dujų balioną (4 Punktas)
	X	X	Užsiblokavo apsauginio vožtuvo reguliavimo įtaisas	1° Spustelėkite reguliavimo įtaiso dujų atblokavimo mygtuką (8 Pav.) 2° Techninė pagalba
	X	X	Užsuktas dujų baliono kranelis	Atsukite dujų baliono kranelį (7 Pav.)
	X	X	Uždegimo grandinės defektas	Techninė pagalba
		X	Neefektyvus įžeminimas	Patikrinkite, ar prietaisas tinkamai įžemintas
Nedega liepsna	X		Per trumpai laikote nuspaužę dujų mygtuką	Ilgiau laikykite nuspaužę dujų mygtuką (6.1.4. Punktas)
	X	X	Generatoriaus defektas	Techninė pagalba
Veikiant užgęsta liepsna	X	X	Nepakankamas dujų tiekimas	1° Pakeiskite dujų balioną (4 Punktas) 2° Techninė pagalba
	X	X	Degalai nevirsta dujomis	Naudokite tinkamo tūrio dujų balionus (4 Punktas)
	X	X	Prietaisas perkaito	1° Išvalykite oro sklendę (galiniame krašte) 2° Techninė pagalba
	X	X	Generatoriaus defektas	Techninė pagalba

PARAGRĀFU KOPSAVILKUMS

1...	APRAKSTS
2...	BRĪDINĀJUMI
3...	DEGVIELAS VEIDS
4...	GĀZES BALONA PIEVIENOŠANA UN NOMAIŅA
5...	PIESLĒGŠANA PIE ELEKTRĪBAS TĪKLA
6...	IESLĒGŠANAS REŽĪMI MANUĀLIEM MODEĻIEM (... / ...M / ...DV / ...M DV)
7...	IESLĒGŠANAS REŽĪMI ELEKTRONISKIEM MODEĻIEM (...E / ...ET)
8...	TERMISKĀS JAUDAS REGULĒŠANA
9...	IZLĒGŠANAS REŽĪMI MANUĀLIEM MODEĻIEM (... / ...M / ...DV / ...M DV)
10...	IZSLĒGŠANAS REŽĪMI ELEKTRONISKIEM MODEĻIEM (...E / ...ET)
11...	TĪRĪŠANA UN TEHNISKĀ APKOPE
12...	VIDES TERMOSTATA PIEVIENOŠANA (...E / ...ET)
13...	DARBOŠANĀS ANOMĀLIJAS, CĒLOŅI UN RISINĀJUMI

SVARĪGI: IZLASĪT UN SAPRAST ŠO OPERATĪVO ROKASGRĀMATU PIRMS VEIKT ŠĪ ĢENERATORA SALIKŠANU KOPĀ, IEDARBINĀŠANU VAI TEHNISKO APKOPI. ĢENERATORA KĻŪDAINA LIETOŠANA VAR IZRAISĪT NOPIETNUS BOJĀJUMUS. SAGLABĀT ŠO ROKASGRĀMATU, LAI TO IZMANTOTU NĀKOTNĒ.

►► 1. APRAKSTS

Šis ģenerators ir pārnēsājams gaisa sildītājs, kas darbojas ar šķidro gāzi, kas ir spējīgs pilnībā izmantot degvielu, pateicoties ar termisko apmaiņu, kas notiek pa tiešo maisot iesūkto gaisu un degšanas produktus. Ir aprīkots ar ērtu rokturi, lai atvieglotu tā transportēšanu un pārvietošanu. Ierīce ir ražota atbilstībā ar Normu EN 1596.

►► 2. BRĪDINĀJUMI

►⚠**SVARĪGI:** Neizmanto dzīvojamo zonu un ēku sildīšanai; izmantošanai sabiedriskajā ēkā, atsaucēm izmantot nacionālos reglamentus.

►⚠**SVARĪGI:** Šī ierīce nav domāta, lai to lietotu cilvēki (iekļaujot bērnus) ar samazinātām fiziskām, maņas un prāta spējām, vai arī ja viņi nav eksperti, ja nu tikai tos uzrauga persona, kas ir atbildīga par viņu drošību. Bērniem ir

jābūt uzraudzītiem, lai pārlicinātos, ka viņi nerotaļājas ar ierīci. Turēt dzīvniekus drošības attālumā no ierīces.

►⚠**SVARĪGI:** Šī ģenerators neatbilstoša lietošana var izraisīt bojājumus vai bīstamību cilvēku dzīvībai, savainojumus, sprādzienus, elektrošoku vai saindēšanos. Pirmie asfiksijas simptomi no oglekļa monoksīda ir līdzīgi saaukstēšanās simptomiem, ar galvas sāpēm, galvas reiboņiem un/vai sliktu dūšu. Šāda veida simptomus var veicināt ģenerators sliktā darbošanās. **ŠĀDU SIMPTOMU PARĀDĪŠANĀS GADĪJUMĀ, NEKAVĒJOTIES IZIET ĀRĀ** un lūgt Tehnisko Apkalpošanas Servisu salabot ģeneratoru.

►⚠**SVARĪGI:** Visām tīrīšanas, tehniskās apkopes un remonta operācijām, kas paredz piekļūšanu

pie bīstamām daļām (kā piemēram, bojātā padeves vada nomainīšana) ir jāveic ražotājam, tā Tehniskās Apkalpošanas Centram, personai ar līdzīgu kvalifikāciju, tādā veidā izvairoties no jebkāda riska, arī ja ir paredzēta atvienošana no padeves tīkla.

► **2.1.** Ģeneratora pareizai lietošanai un degvielas glabāšanai, pieturēties pie vietējiem noteikumiem un pastāvošiem normatīviem.

► **2.2.** Ģeneratoram, lai darbotos, ir nepieciešama atbilstoša gaisa apmaiņa. Tādēļ, tas ir jāizmanto ārā vai telpās, kur ir nodrošināta un pastāvīga gaisa apmaiņa. Laba vēdināšana ir nodrošināta, kad telpas apjoms ir rēķināts uz termisko jaudu, ar formulu 1 m^3 katram jaudas 100 W. Nekādā gadījumā ieteiktajam istabas apjomam nedrīkst būt mazākam par 100 m^3 . Labu ventilāciju nodrošina vismaz 25 cm^2 atvērums katram termiskās jaudas kW, ar minimums 250 cm^2 ; atvērums ir jābūt vienlīdzīgi sadalītam starp telpas augšējām un apakšējām daļām. Instalācijai, der pastāvošās nacionālās normas, iekļaujot tehniskās normas un tehniskās normas un norādījumus sakarā ar drošību un ugunsgrēku izvairīšanos.

► **2.3.** Ierīces ir jābūt izmantotai tikai kā karstā gaisa ģenerators (sildīšanas režīms), vai kā ventilators (ventilācijas režīms, modeļiem, kas paredz šādu darbošanos). Lietošanai precīzi sekot šīm instrukcijām.

► **2.4.** Ražotājs noliedz jebkāda veida atbildību par bojājumiem priekšmetiem un/vai savainojumiem cilvēkiem, kas rodas ierīces nepareizas lietošanas dēļ.

► **2.5.** Sniegt padevi ģeneratoram tikai ar skaidri norādīto degvielu un ar elektrostrāvu ar jaudu un frekvenci, kas ir uzrādītas uz datu plāksnītes, kas ir uz ģeneratora.

► **2.6.** Pārliecināties, ka ģenerators ir pievienots tikai pie tiem elektriskajiem tīkliem, kuriem ir diferenciālais slēdzis un atbilstošs iezemējums.

► **2.7.** Izmantot tikai atbilstoša šķērsriezuma pagarinātājus, ar iezemētu vadu.

► **2.8.** Ģeneratoram ir jādarbojas uz izlīdzinātas, stabilas un ugunsdrošas virsmas, tādā veidā izvairoties no ugunsgrēka riskiem.

► **2.9.** Ir absolūti aizliegts izmantot ierīci puspagraba vai pagraba telpās.

► **2.10.** Ģeneratoram nav jābūt izmantotam telpās, kurās ir sprāgstošs pulveris, dūmi, gāze, degvielas, šķīdumi un krāsvielas.

► **2.11.** Ja ģenerators tiek izmantots pārklāju, aizskaru vai līdzīgu pārklāšanas materiālu tuvumā, iesakām izmantot papildus ugunsdrošas aizsardzības. Rūpēties, lai uzturētu attiecīgu attālumu no ģeneratora karstajām daļām, kuram nekādā gadījumā nav jābūt mazākam par 2,5 m no ugunsnedrošiem materiāliem (kā piemēram, audums, papīrs, koksne, utt.) vai ar karstumu iznīcinošiem materiāliem (iekļaujot padeves vadu).

► **2.12.** Novietot gāzes balonu aizsargātā pozīcijā, aiz ierīces (Att. 1). Ģeneratoram nekad nav jābūt vērstam uz gāzes balonu (Att. 2).

► **2.13.** Jebkādu iemeslu dēļ ir aizliegts pilnībā, vai daļēji aizslogot gaisa ieejas atvērums (aizmugurējā daļa) un/vai gaisa izejas atvērums (priekšējā daļa) (Att. 3). Izvairīties no jebkāda veida kanāla izmantošanas, lai vestu gaisu no/uz ģeneratoru. Pārbaudīt, ka netiek aizsprostoti gaisa ieejas atvērums, kas atrodas uz pamata dibena (modeļiem, kas ir piemēroti šāda veida risinājumam).

► **2.14.** Gadījumā, ja ģenerators neieslēdzas vai arī ģeneratora anomālās ieslēgšanās gadījumā, skatīties attiecīgu

sadaļu (Paragrāfs “13. DARBOŠANĀS ANOMĀLIJAS, IEMESLI UN RISINĀJUMI”).

► **2.15.** Kad ģenerators darbojas, tam nekad nav jābūt pārvietotam, aiztiktam, kā arī tam nav jāveic nekāda veida tehniskās apkopes darbības.

► **2.16.** Kad ierīce tiek izmantota, vai kad tā ir noglabāta, pievērst uzmanību, ka lokanā gāzes caurule netiek bojāta (saspiesta, pārlocīta, sagriezta, savilkta).

► **2.17.** Ja tiek sajusta gāzes smaka, nekavējoties izslēgt ierīci, aiztaisīt gāzes balonu, izņemt tīkla rozeti un sazināties ar tehniskās apkalpošanas servisu.

► **2.18.** Gāzes caurules nomainīšanas gadījumā, izmantot tikai lokana veida caurules, kas atbilst lietošanas spiedienam, izmantojot ka norādi nacionālos reglamentus. Gāzes caurulei ir jābūt 1,5 m garai.

► **2.19.** Kad ierīci ir pārbaudīta vides termostats (opcionāls piederums), ģenerators var atkārtoti ieslēgties jebkurā brīdī ja temperatūra nolaižas zem uzstādītās robežas.

► **2.20.** Kad tas netiek lietots, atvienot ģeneratoru no tīkla rozetes, aizvērt gāzes padevi, atvienot gāzes cauruli no ģenerators un aizvērt gāzes ieeju uz ģeneratora.

► **2.21.** Lūgt pārbaudīt Tehniskās Apkalpošanas Servisu, vismaz vienu reizi gadā un/vai pēc nepieciešamības, ģeneratora pareizu darbošanos.

►► 3. DEGVIELAS VEIDS

Lietot tikai kategorijas I₃B/P gāzi.

►► 4. GĀZES BALONA PIEVIENOŠANA UN NOMAINĪŠANA

Gāzes balonam ir jābūt nomainītam svaigā gaisā, tālu no karstuma avotiem, vidē bez uguns.

Gāzes balona pievienošanai pie ģenerators ir jāizmanto sekojošie piederumi:

•Lokanā caurule šķidrai gāzei.

•Spiediena regulators šķidrai gāzei ar drošības vārstu.

PĀRBAUDĪT PADEVES GĀZES CAURULES VESELUMU. GADĪJUMĀ, JA IR NEPIECIEŠAMS TO NOMAINĪT, IZMANTOT LOKANA VEIDA CAURULI, KAS IR PIEMĒROTA LIETOŠANAS SPIEDIENAM, IZMANTOJOT KĀ NORĀDI NACIONĀLOS REGLAMENTUS.

►Lai pievienotu ģeneratoru pie gāzes balona:

UZMANĪBU: VISAS VĪTNES IR PA KREISI, TĀM IR JĀBŪT PIESTIPRINĀTĀM PRETĒJI PULKSTENRĀDĪTĀJA VIRZIENAM.

► **4.1.** Pieskrūvēt gāzes cauruli pie ģeneratora savienojuma (Att. 4).

► **4.2.** Instalēt spiediena regulatoru uz gāzes balona. Pārlicināties, ka uz regulatora ir blīve (ja savienojuma veids to paredz) (Att. 5).

► **4.3.** Pievienot gāzes cauruli pie spiediena regulatora (Att. 6).

► **4.4.** Atvērt gāzes balona krānu (Att. 7).

► **4.5.** Piespiest regulatora atbloķēšanas taustu (Att. 8). **Pārbaudīt savienojumu hermētiskumu ar ziepju ūdeni: burbuļu paradīšanās liecinās par gāzes izplūdi (Att. 9).** Ir iespējams savienot to starpā vairākus gāzes balonus, lai iegūtu lielāku ilgumu. **Ieteicams lietot 30 kg gāzes balonus, līdz 33 kW termiskās jaudas; ja jauda ir lielāka par 33 kW, ir jāizmanto lielākas spējas gāzes baloni. Ieteicams lietot atbilstošas spējas gāzes balonus, lai izvairītos no problēmām, kuras izraisa degvielas negazifikācija.** Pareizs darbošanās spiedienu (skat. datu plāksnīti uz ģeneratora) sniedz līdzī dotais regulators, vai līdzvērtīgs modelis.

►► 5. PIESLĒGŠANA PIE ELEKTRĪBAS TĪKLA PĀRBAUDĪT JŪSU ELEKTRISKĀS SISTĒMAS PAREIZU IEZEMĒJUMU.

Pirms ģeneratoru pieslēgt pie elektrības tīkla, pārlicināties, ka padeves spriegums un frekvence ir pareizas (skat. datu plāksnīti uz ģeneratora). Pieslēgšana pie elektrības tīkla (Att. 10) ir jāveic atbilstībā ar pastāvošām nacionālām normām.

►► 6. IESLĒGŠANAS REŽĪMI MANUĀLIEM MODEĻIEM (... / ...M / ...DV / ...M DV)

SVARĪGI: Modeļiem ...DV / ...M DV, pārbaudīt slēdža pozīciju, kas maina jaudu (220-240V / 110-120V) (Att. 11). Ja spriegums, kas ir uzstādīts uz ierīces neatbilst tam, ko sniedz tīkls, ir nepieciešams veikt darbības, lai spriegums būtu atbilstošs. Noskrūvēt 2 vāka fiksācijas skrūves (Att. 12), pārlīkt slēdzi uz atbilstošu jaudas vērtību (Att. 13) un novietot vāku atpakaļ (Att. 14).

• 6.1. SILDĪŠANAS REŽĪMS:

► 6.1.1. Novietot slēdzi "O/I" pozīcijā "I" (Att. 15).

► 6.1.2. Piespiest gāzes taustu līdz galam un turēt to piespiestu (Att. 16).

► 6.1.3. Piespiest līdz galam un vairākas reizes pjezoelektrisko slēdzi (Att. 17), turot piespiestu gāzes taustu (Att. 16).

► 6.1.4. Pēc uguns iedegšanās, turēt piespiestu gāzes taustu aptuveni 15 s (Att. 18).

► 6.1.5. Atlaist gāzes taustu (Att. 19). Elektriskās enerģijas pārtraukšanās gadījumā vai ja nav gāzes, ierīce izslēgsies. Ģeneratora atkārtotā ieslēgšanās nav automātiska, tā ir jāveic manuāli, atkārtojot ieslēgšanas procedūru.

Ja ierīce neieslēdzas, meklēt informāciju atbilstošajā sadaļā (Parag. "13. DARBOŠANĀS ANOMĀLIJAS, CĒLOŅI UN RISINĀJUMI").

• 6.2. VENTILĀCIJAS REŽĪMS:

Ģenerators var būt lietots arī kā ventilators. Pievienot ģeneratoru pie elektrības tīkla (Att. 10) un novietot slēdzi "O/I" pozīcijā "I" (Att. 15).

N.B.: Veikt pareizu izslēgšanas secību, kas ir paredzēta manuāliem modeļiem [Parag. "9. IZSLĒGŠANAS REŽĪMI MANUĀLIEM MODEĻIEM (... / ...M / ...DV / ...M DV)"].

►► 7. IESLĒGŠANAS REŽĪMI ELEKTRONISKIEM MODEĻIEM (...E / ...ET)

► 7.1. Novietot slēdzi "O/I" pozīcijā "I" (Att. 15).

► 7.2. Piespiest taustu "RESET" (Att. 20). Ģenerators sāk analīzes secību un pēc aptuveni 20÷30 s uguns iedegas (skat. darbošanās shēmu Att. 21).

Elektriskās enerģijas pārtraukšanās gadījumā vai ja nav gāzes, ierīce izslēgsies. Ģeneratora atkārtotā ieslēgšanās nav automātiska, tā ir jāveic manuāli, piespiežot taustu "RESET" (Att. 20).

Ja ierīce neieslēdzas, meklēt informāciju atbilstošajā sadaļā (Parag. "13. DARBOŠANĀS ANOMĀLIJAS, CĒLOŅI UN RISINĀJUMI").

UZMANĪBU: Gadījumā, ja ģenerators izslēdzas vides termostata komandas dēļ (opcionāls priekšmets), ierīces atkārtotā ieslēgšanās notiek automātiski, kad temperatūra nolaižas zem uzstādītās robežas.

►► 8. TERMISKĀS JAUDAS REGULĒŠANA

Atkarībā no ģenerators tipoloģijas, var regulēt ierīces termisko jaudu. Termiskā jauda var būt regulēta rīkojoties ar rokturi, kas atrodas uz ģenerators pamata (Att. 22), vai uz spiediena ģenerators, kas ir instalēts uz gāzes balona (Att. 23), atkarībā no modeļa.

►► 9. IZSLĒGŠANAS REŽĪMI MANUĀLIEM MODEĻIEM (... / ...M / ...DV / ...M DV)

► 9.1. Aiztaisīt gāzes balonu (Att. 24).

► 9.2. Ļaut ventilatoram darboties aptuveni 60 s, lai izvairītos no iekšējiem bojājumiem pārkaršanas dēļ (ģenerators iekšējā dzesēšana).

► 9.3. Novietot slēdzi "O/I" pozīcijā "O" (Att. 25).

► 9.4. Atvienot ģenerators no elektriskā tīkla (Att. 26).

► 9.5. Atvienot ģenerators no gāzes padeves caurules (Att. 27-28-29).

►► 10. IZSLĒGŠANAS REŽĪMI ELEKTRONISKIEM MODEĻIEM (...E / ...ET)

► 10.1. Novietot slēdzi "O/I" pozīcijā "O" (Att. 25). Uguns izslēdzas un ģenerators veic pēc-ventilācijas fāzi. Uzgaidīt cikla beigšanos, lai izvairītos no iekšējiem bojājumiem pārkaršanas dēļ (fāze ir automātiska un var ilgt no 50 s÷5 min atkarībā no ģenerators iekšējās/ārējās temperatūras).

► 10.2. Aizvērt gāzes balonu (Att. 24).

► 10.3. Atvienot ģenerators no elektriskā tīkla (Att. 26).

► 10.4. Atvienot ģenerators no gāzes padeves caurules (Att. 27-28-29).

N.B.: Izvairīties no ģenerators atslēgšana no elektriskā tīkla pirms pēc-ventilācijas fāzes beigām, lai izvairītos no iekšējiem bojājumiem pārkaršanas dēļ.

►► 11. TĪRĪŠANA UN TEHNISKĀ APKOPE

Vismaz reizi gadā un/arī pēc nepieciešamības, lūgt Tehniskās Apkalpošanas Servisam pārbaudīt ģenerators pareizu darbošanos. Pirms novietot nost pēc lietošanai, ierīcei ir jābūt tīrītai.

► 11.1. Pirms ierīcei veikt jebkāda veida tehnisko apkopi, aprūpi un remontu, ir jāveic izslēgšanās secība [Parag. "9. IZSLĒGŠANAS REŽĪMI MANUĀLIEM MODEĻIEM (... / ...M / ...DV / ...M DV)" o "10. IZSLĒGŠANAS REŽĪMI ELEKTRONISKIEM MODEĻIEM (...E / ...ET)"].

► 11.2. Tīrīšana ir jāveic tikai uz gaisa ieejas atvērums uz ģenerators aizmugurējās daļas.

► 11.3. Kad ierīce tiek atkārtoti lietota, pārbaudīt gāzes caurules un padeves vada veselums stāvokli; ja Jums ir šaubas par to veselumu, ir jālūdz Tehniskās Apkalpošanas Servisa iejaukšanās.

► 11.4. Neveikt iejaukšanās, kas nav atļautas.

►► 12 VIDES TERMOSTATA PIEVIENOŠANA (...E / ...ET) (opcionāls)

Noņemt korķi, kas ir pievienots pie ierīces un pievienot vides termostatu (opcionāls) (Att. 30).

Skat. elektrisko shēmu (...E / ...ET).

►► 13. DARBOŠANĀS ANOMĀLIJAS, CĒLOŅI UN RISINĀJUMI

DARBOŠANĀS ANOMĀLIJASM ...DV ...M DV	...E ...ET	CĒLOŅI	RISINĀJUMI
Dzinējs neiedarbojas	X	X	Nav sprieguma	1°Pārbaudīt tīkla sistēmu 2°Tehniskās Apkalpošanas Serviss
	X	X	Padeves vads ir ar defektu/bojāts	Tehniskās Apkalpošanas Serviss
	X	X	Dzinējs ir bojāts	Tehniskās Apkalpošanas Serviss
		X	Vides termostata kļūdaina pievienošana	Pareizi pievienot vides termostatu
Uguns neiedegas	X	X	Gāzes balons ir iztukšots	Nomainīt gāzes balonu (Parag. 4)
	X	X	Regulatora drošības vārsts ir bloķēts	1°Piespiest taustu, kas atrodas uz regulatora, lai atbloķētu gāzi (Att. 8) 2°Tehniskās Apkalpošanas Serviss
	X	X	Gāzes balona krāns ir ciet	Atvērt gāzes balona krānu (Att. 7)
	X	X	Ieslēgšanas ķēde ir ar defektu	Tehniskās Apkalpošanas Serviss
		X	Iezemējums nav iedarbīgs	Pārbaudīt Jūsu sistēmas pareizu iezemējumu
Uguns nepaliek iedegusies	X		Gāzes tausts ir piespiests uz nepietiekamu laiku	Piespiest gāzes taustu ilgāku laiku (Parag. 6.1.4.)
	X	X	Ģenerators ir ar defektu	Tehniskās Apkalpošanas Serviss
Uguns nodzēšanās darbošanās laikā	X	X	Nepietiekama gāzes padeve	1°Nomainīt gāzes balonu (Parag. 4) 2°Tehniskās Apkalpošanas Serviss
	X	X	Nav degvielas gazifikācijas	Izmantot gāzes balonus ar atbilstošu spēju (Parag. 4)
	X	X	Ierīces pārkaršana	1°Tīrīt gaisa ieejas atvērumu (aizmugurējā mala) 2°Tehniskās Apkalpošanas Serviss
	X	X	Ģenerators ir ar defektu	Tehniskās Apkalpošanas Serviss

PUNKTIDE SISUKORD

1...	KIRJELDUS
2...	HOIATUSED
3...	KÜTUSE TÜÜP
4...	GAASIBALLOONI ÜHENDAMINE JA VAHETAMINE
5...	ÜHENDAMINE ELEKTRIVÕRGUGA
6...	KÄSIJUHTIMISEGA MUDELITE SÜÜDE (... / ...M / ...DV / ...M DV)
7...	ELEKTROONILISTE MUDELITE SÜÜDE (...E / ...ET)
8...	SOOJUSVÕIMSUS
9...	KÄSIJUHTIMISEGA MUDELITE VÄLJALÜLITAMINE (... / ...M / ...DV / ...M DV)
10...	ELEKTROONILISTE MUDELITE VÄLJALÜLITAMINE (...E / ...ET)
11...	PUHASTAMINE JA HOOLDUS
12...	ÜHENDAMINE ÜMBRITSEVA ÕHU TERMOSTAADIGA (...E / ...ET)
13...	HÄIRED TÖÖS, PÕHJUSED JA LAHENDUS

TÄHTIS: ENNE ÕHUSOOJENDI KOKKUPANEMIST, TÖÖLEPANEKUT VÕI HOOLDAMIST TULEB KÄESOLEV TÖÖJUHEND LÄBI LUGEDA JA SELLEST ARU SAADA. ÕHUSOOJENDI VÄÄR KASUTAMINE VÕIB PÕHJUSTADA RASKEID VIGASTUSI. HOIDKE SEE JUHEND EDASPIDISEKS KASUTAMISEKS ALLES.

►► 1. KIRJELDUS

See seade on vedelgaasiga töötav teisaldatav õhusoojendi, mis kasutab kütuse täielikult ära tänu soojusvahetusele, mis toimub sissetõmmatud õhu ja põlemissaaduste otsesel segunemisel. Tal on transpordi ja teisaldamise hõlbustamiseks praktiline käepide. Aparaat on valmistatud vastavalt standardile EN 1596.

►► 2. HOIATUSED

►⚠**TÄHTIS:** Ärge kasutage seadet elumajade eluruumide kütmiseks; ühiskondlikes hoonetes kasutamiseks vt asukohariigi õigusnorme.

►⚠**TÄHTIS:** Seade ei sobi vähenenud füüsiliste, sensorsete või vaimsete võimetega või väheste kogemustega inimestele (sealhulgas lastele)

kasutamiseks ilma nende ohutuse eest vastutava isiku järelevalveta. Lapsi tuleb jälgida, et oleks kindel, et nad aparaadiga ei mängiks. Hoidke loomad aparaadist ohutul kaugusel.

►⚠**TÄHTIS:** Selle õhusoojendi väär kasutamine võib põhjustada kahju või inimestele eluohtlikke olukordi, vigastusi, põletusi, plahvatusi, elektrilööki või mürgitust. Esimesed süsinikmonooksiidi kätte lämbumise sümptomid meenutavad gripi omi: peavalu, peapööritus ja/või iiveldus. Neid sümptomeid võivad põhjustada häired õhusoojendi töös. **SELLISTE SÜMPTOMITE ESINEMISEL MINGE KOHE VÄLJA** ja laske tehnobil õhusoojendi ära parandada.

►⚠**TÄHTIS:** Kõikpuhastus-, hooldus- ja parandustööd, mis nõuavad ohtlikele osadele ligipääsemist

(näiteks kahjustatud toitekaabli vahetamine), tuleb lasta teha tootjal, tema tehnilisel teenindusel või samasuguse kvalifikatsiooniga isikul, et vältida kõiki ohte, ka siis, kui on ette nähtud, et seade lahutatakse elektrivõrgust.

► **2.1.** Õhusoojendi õigeks kasutamiseks ja kütuse säästmiseks täitke kõiki kohalikke eeskirju ja kehtivaid õigusnorme.

► **2.2.** Õhusoojendil on töötamiseks vaja piisavat õhuvahetust. Seepärast tuleb seda kasutada vabas õhus või ruumides, kus on tagatud pidev õhuvahetus. Hea õhuvahetus on tagatud, kui ruumi mahu ja soojusvõimsuse suhe vastab valemile 1 m^3 iga 100 W võimsuse kohta. Ruumi soovituslik maht ei tohi mingil juhul olla väiksem kui 100 m^3 . Hea ventilatsiooni tagab avaus, mis vastab valemile 25 cm^2 ühe soojusvõimsuse kW kohta ja on sealjuures vähemalt 250 cm^2 suurune, jagunedes ruumi üla- ja alaosa vahel võrdselt. Paigaldamisel kehtivad asukohariigi õigusnormid, sh tehnilised standardid ning ohutus- ja tuleohutusnõuded.

► **2.3.** Seadet tohib kasutada ainult õhusoojendina (kütterežiim) või ventilaatorina (ventileerimisrežiim nende mudelite puhul, millel on see funktsioon olemas). Järgige kasutamisel rangelt käesolevat juhendit.

► **2.4.** Tootja ei võta mingit vastutust asjadele ja/või inimestele põhjustatud kahju eest, mis tuleneb seadme väärast kasutamisest.

► **2.5.** Õhusoojendit tohib kütta ainult selle küljes oleval andmesildil selgesõnaliselt nimetatud kütusega ja toita ainult sellel sildil nimetatud pinge ja sagedusega elektrivooluga.

► **2.6.** Jälgige, et õhusoojendi ühendataks ainult elektrivõrku, mis on korralikult varustatud kaitselüliti ja piisava maandusega.

► **2.7.** Kasutage ainult sobiva ristlõikega ja maandussoonega pikendusjuhtmeid.

► **2.8.** Õhusoojendi peab töötama tasasel, kindlal ja tulekindlal pinnal, et vältida tuleohtu.

► **2.9.** Seadme kasutamine osaliselt või tervenisti maa-alustes ruumides on rangelt keelatud.

► **2.10.** Õhusoojendit ei tohi kasutada ruumides, kus on plahvatusohtlikku tolmu, plahvatusohtlikke aure, gaase, kütust, lahusteid, lakke.

► **2.11.** Kui õhusoojendit kasutatakse presendi, lõuendi vms kattematerjali läheduses, on soovitatav rakendada täiendavaid tulekindlaid kaitsevahendeid. Jälgige, et kergestisüttiv (tekstiil, paber, puit jne) või termolabiilne materjal (sh toitekaabel) jääks õhusoojendi kuumadest osadest piisavale kaugusele, mis ei tohi olla mingil juhul väiksem kui 2,5 meetrit.

► **2.12.** Paigutage gaasiballoon kaitstud kohta seadme taha (Joonis 1). Õhusoojendit ei tohi kunagi suunata gaasiballooni poole (Joonis 2).

► **2.13.** Õhu sisselaskeava (tagaküljel) ja/või õhu väljalaskeava (esiküljel) täielik või osaline blokeerimine on põhjusest olenemata keelatud (Joonis 3). Vältige igasuguste õhusoojendi poolt/poole viivate õhutuskanalite kasutamist. Kontrollige, ega alaosa põhjal asuvad õhupilud (kui teil on sellise lahendusega mudel) umbes ei ole.

► **2.14.** Kui õhupuhasti süüde ei toimi või selles esineb häireid, tutvuge vastava peatükiga ("**13. HÄIRED TÖÖS, PÕHJUSED JA LAHENDUS**").

► **2.15.** Kui õhusoojendi töötab, ei tohi seda teisaldada, käsitseda ega sellele mingeid hooldustöid teha.

► **2.16.** Ükskõik, millistes kasutamistingimustes või kuskohas seade paikneb, jälgige, et gaasivoolik ei saaks kannatada (et seda ei muljutaks, mitmekorra ei painutataks, väänataks ega venitataks).

► **2.17.** Kui tunnete gaasilõhna, lülitage seade kohe välja, sulgege gaasiballoon, tõmmake pistik elektrivõrgust välja ja pöörduge seejärel tehnoabisse.

► **2.18.** Kui gaasivoolik on vaja vahetada, siis kasutage ainult sellist voolikut, mis sobib kasutatava töö rõhuga, järgides asukohariigi õigusnorme. Gaasivoolik peab olema 1,5 meetri pikkune.

► **2.19.** Kui seadet kontrollib ümbritseva õhu termostaat (soovi korral juurde ostetav artikkel), võib õhusoojendi uuesti tööle hakata mis tahes hetkel, st siis, kui temperatuur langeb alla ettenähtud läve.

► **2.20.** Kui õhusoojendit ei kasutata, lahutage see elektrivõrgust, sulgege gaasitoide, võtke gaasivoolik õhusoojendi küljest lahti ja sulgege õhusoojendi küljes asuv gaasi sissevooluava.

► **2.21.** Laske tehnoabil õhusoojendi korralikku töötamist kontrollida vähemalt kord aastas ja/või vajaduse korral.

►► 3. KÜTUSE TÜÜP

Kasutage ainult I₃B/P kategooria gaasi.

►► 4. GAASIBALLOONI ÜHENDAMINE JA VAHETAMINE

Gaasiballooni tuleb vahetada vabas õhus, soojusallikast eemal, keskkonnas, kus ei ole lahtist tuld.

Gaasiballooni ühendamiseks õhusoojendiga tohib kasutada ainult järgmisi tarvikuid:

• Vedelgaasi jaoks mõeldud voolik.

• Vedelgaasi rõhuregulaator, millel on kaitseklapp.

KONTROLLIGE, ET GAASIVOOLIK OLEKS TERVE. KUI SEDA ON VAJA VAHETADA, KASUTAGE AINULT SELLIST VOOLIKUT, MIS SOBIB KASUTATAVA TÖÖRÕHUGA, JÄRGIDES ASUKOHARIIGI ÕIGUSNORME.

► Õhusoojendi ühendamiseks gaasiballooniga tehke järgmist.

TÄHELEPANU: KÕIK KEERMED ON VASAKKEERMED, ST NEID KEERATAKSE KINNI VASTUPÄEVA.

► **4.1.** Kruvige gaasivoolik õhusoojendi liitmiku külge (Joonis 4).

► **4.2.** Paigaldage gaasiballoonile rõhuregulaator. Kontrollige, et regulaatoril oleks tihend (kui ühendus on sellist tüüpi, et tihendit on vaja) (Joonis 5).

► **4.3.** Ühendage gaasivoolik rõhuregulaatoriga (Joonis 6).

► **4.4.** Avage gaasiballooni kraan (Joonis 7).

► **4.5.** Vajutage regulaatori vabastusnuppu (Joonis 8). **Kontrollige ühenduskohtade hermeetilisust seebiveega: kui tekivad mullid, tähendab see võimalikku gaasileket (Joonis 9).** Suurema autonoomsuse huvides võib omavahel ühendada mitu gaasiballooni. **Kuni 33 kW soojusvõimsuse puhul on soovitatav kasutada 30 kg gaasiballoone, suurema kui 33 kW võimsuse puhul kasutage suuremaid gaasiballoone. Soovitatav on kasutada piisava mahuga gaasiballoone, et vältida kütuse ebapiisava gaasistamisega seotud probleeme.** Õiget töö rõhku (vt õhusoojendi küljes olevat andmesilti)

annab seadmega kaasas olev regulaator või samaväärne mudel.

▶▶ 5. ÜHENDAMINE ELEKTRIVÕRGUGA KONTROLLIGE, ET TEIE ELEKTRISÜSTEEM OLEKS KORRALIKULT MAANDATUD.

Enne õhusoojendi elektrivõrku ühendamist kontrollige, et toitepinge ja -sagedus oleksid õiged (vt õhusoojendil olevat andmesilti). Elektrivõrku ühendamine (Joonis 10) peab toimuma vastavalt asukohariigis kehtivatele õigusnormidele.

▶▶ 6. KÄSIJUHTIMISEGA MUDELITE SÜÜDE (... / ...M / ...DV / ...M DV)

TÄHTIS: ...DV / ...M DV mudelite puhul kontrollige pinge ümberlülitit (220-240V / 110-120V) (Joonis 11). Kui seadmehel nõutav pinge ei vasta võrgupingele, tuleb pinget kohandada. Keerake lahti kaks kaane kinnituskrugi (Joonis 12), lükake lüliti võrgupinge väärtuse peale (Joonis 13) ja kinnitage kaas uuesti (Joonis 14).

• 6.1. KÜTTEREŽIIM

▶ 6.1.1. Seadke "O/I"-lüliti "I"-asendisse (Joonis 15).

▶ 6.1.2. Vajutage gaasinupp põhja ja hoidke all (Joonis 16).

▶ 6.1.3. Lükake piesoelektriline süütur korduvalt põhja (Joonis 17), hoides gaasinuppu all (Joonis 16).

▶ 6.1.4. Pärast leegi süttimist hoidke gaasinuppu umbes 15 s all (Joonis 18).

▶ 6.1.5. Laske gaasinupp lahti (Joonis 19).

Elektrikatkestuse või gaasi puudumise korral lülitub seade välja. Õhusoojendi

ei hakka uuesti tööle automaatselt, vaid see tuleb käsitsi uuesti süüdata, korrates süütamisprotsessi.

Kui seade tööle ei hakka, siis tutvuge vastava peatükiga ("13. HÄIRED TÖÖS, PÕHJUSED JA LAHENDUS").

• 6.2. VENTILEERIMISREŽIIM

Õhusoojendit võib kasutada ka ventilaatorina. Ühendage õhusoojendi elektrivõrku (Joonis 10) ja viige "O/I"-lüliti "I"-asendisse (Joonis 15).

N.B.: Kui õhusoojendi töötab kütterežiimil, sooritage enne ventileerimisrežiimile üleminekut käsijuhtimisega mudelitel ette nähtud väljalülitamisprotseduur ["9. VÄLJALÜLITAMINE KÄSIJUHTIMISEGA MUDELITE PUHUL (... / ...M / ...DV / ...M DV)"].

▶▶ 7. ELEKTROONILISTE MUDELITE SÜÜDE (...E / ...ET)

▶ 7.1. Viige "O/I"-lüliti "I"-asendisse (Joonis 15).

▶ 7.2. Vajutage nupule "RESET" (Joonis 20).

Õhusoojendi alustab analüüsiprotsessi ning 20÷30 sekundi pärast süttib leek (vt **et** tööskeemi Joonisel 21).

Elektrikatkestuse või gaasi puudumise korral lülitub seade välja. Õhusoojendi ei hakka uuesti tööle automaatselt, vaid see tuleb käsitsi uuesti süüdata, vajutades nupule "RESET" (Joonis 20). Kui seade tööle ei hakka, siis tutvuge vastava peatükiga ("13. HÄIRED TÖÖS, PÕHJUSED JA LAHENDUS").

TÄHELEPANU: Kui seade jääb seisma ümbritseva õhu termostaadi (soovi korral ostetav artikkel) tõttu, hakkab õhusoojendi uuesti tööle automaatselt, kui temperatuur langeb alla ettenähtud läve.

►► 8. SOOJUSVÕIMSUSE REGULEERIMINE

Seadme soojusvõimsust saab olenevalt õhusoojenditüübist erinevalt reguleerida. Soojusvõimsust saab reguleerida kas õhusoojendi taga asuvast nupust (Joonis 22) või gaasiballoonil asuvast rõhuregulaatorist (Joonis 23), olenevalt sellest, millise mudeliga on tegemist.

►► 9. KÄSIJUHTIMISEGA MUDELITE VÄLJALÜLITAMINE (... / ...M / ...DV / ...M DV)

► 9.1. Sulgege gaasiballoon (Joonis 24).

► 9.2. Laske ventilaatoril umbes 60 sekundit töötada, et vältida ülekuumenemisest tingitud kahjustusi õhusoojendi sees (õhusoojendi sisemuse jahutamine).

► 9.3. Viige "O/I"-lülitit "O"-asendisse (Joonis 25).

► 9.4. Lahutage õhusoojendi elektrivõrgust (Joonis 26).

► 9.5. Võtke õhusoojendi gaasivooliku küljest lahti (Joonised 27-28-29).

►► 10. ELEKTROONILISTE MUDELITE VÄLJALÜLITAMINE (...E / ...ET)

► 10.1. Viige "O/I"-lülitit "O"-asendisse (Joonis 25). Leek kustub ja õhusoojendi läheb järelventilatsiooni staadiumi. Oodake, et ta tsükli lõpetaks, et vältida ülekuumenemisest tingitud kahjustusi õhusoojendi sees (see staadium on automaatne ning võib olenevalt õhusoojendi sees / sellest väljas olevast temperatuurist kesta 50 s kuni 5 min).

► 10.2. Sulgege gaasiballoon (Joonis 24).

► 10.3. Lahutage õhusoojendi elektrivõrgust (Joonis 26).

► 10.4. Võtke õhusoojendi gaasivooliku küljest lahti (Joonised 27-28-29).

N.B.: Vaadake, et te ei lahutaks õhusoojendit elektrivõrgust enne, kui järelventilatsiooni faas on lõppenud, et vältida ülekuumenemisest tingitud kahjustusi õhusoojendi sees.

►► 11. PUHASTAMINE JA HOOLDUS

Laske tehnobil õhusoojendi korralikku töötamist kontrollida vähemalt kord aastas ja/või vajaduse korral. Kui olete seadet kasutanud, tuleb see enne seisma jätmist puhastada.

► 11.1. Enne, kui teete seadmel mis tahes hooldus- või parandustöid, sooritage väljalülitamisprotseduur ["9. KÄSIJUHTIMISEGA MUDELITE VÄLJALÜLITAMINE (... / ...M / ...DV / ...M DV)" või "10. ELEKTROONILISTE MUDELITE VÄLJALÜLITAMINE (...E / ...ET)"].

► 11.2. Puhastada tuleb ainult õhusoojendi õhu sisselaskeava (tagaküljel).

► 11.3. Kui seadme uuesti kasutusele võtate, siis kontrollige, kas gaasivoolik ja toitekaabel on terved; kui te selles kahtlete, paluge abi tehnobist.

► 11.4. Ärge tehke seadme kallal töid, mis ei ole lubatud.

►► 12. ÜHENDAMINE ÜMBRITSEVA ÕHU TERMOSTAADIGA (...E / ...ET) (soovi korral juurde ostetav)

Eemaldage seadme küljes olev kork ja ühendage külge ümbritseva õhu termostaat (soovi korral juurde ostetav) (Joonis 30).

Vt elektriskeemi (...E / ...ET).

►► 13. HÄIRED TÖÖS, PÕHJUSED JA LAHENDUS

HÄIRED TÖÖSM ...DV ...M DV	...E ...ET	PÕHJUSED	LAHENDUS
Mootor ei käivitu	X	X	Ei ole pinget	1°Kontrollige elektrisüsteemi 2°Tehnoabi
	X	X	Toitekaabel on vigastatud/ kahjustatud	Tehnoabi
	X	X	Mootoririke	Tehnoabi
		X	Ümbritseva õhu termostaat on valesti ühendatud	Ühendage termostaat õigesti
Leek ei sütti	X	X	Gaasiballoon on tühi	Vahetage gaasiballoon (Punkt 4)
	X	X	Regulaatori kaitseklapp on kinni jäänud	1°Vajutage regulaatoril gaasi vabastusnuppu (Joonis 8) 2°Tehnoabi
	X	X	Gaasiballooni kraan on suletud	Avage gaasiballooni kraan (Joonis 7)
	X	X	Süütehela rike	Tehnoabi
		X	Maandus ei toimi	Kontrollige, kas teie elektrisüsteem on korralikult maandatud
Leek ei jää põlema	X		Gaasinupu korraks vajutamisest ei piisa	Hoidke gaasinuppu kauem all (Punkt 6.1.4.)
	X	X	Õhusoojendi rike	Tehnoabi
Leek kustub töö ajal	X	X	Gaasitoide ei ole piisav	1°Vahetage gaasiballoon (Punkt 4) 2°Tehnoabi
	X	X	Kütus ei gaasistu piisavalt	Kasutage piisava mahuga gaasiballooni (Punkt 4)
	X	X	Seade kuumeneb üle	1°Puhastage õhu sisselaskeava (tagaküljel) 2°Tehnoabi
	X	X	Õhusoojendi rike	Tehnoabi

SUMAR

1...	DESCRIERE
2...	AVERTIZĂRI
3...	TIPUL COMBUSTIBILULUI
4...	CONECTAREA ȘI ÎNLOCUIREA BUTELIEI DE GAZ
5...	CONECTAREA LA REȚEAUA ELECTRICĂ
6...	PORNIREA APARATULUI - MODELELE MANUALE (... / ...M / ...DV / ...M DV)
7...	PORNIREA APARATULUI - MODELELE ELECTRONICE (...E / ...ET)
8...	REGLAREA PUTERII TERMICE
9...	OPRIREA APARATULUI - MODELELE MANUALE (... / ...M / ...DV / ...M DV)
10...	OPRIREA APARATULUI - MODELELE ELECTRONICE (...E / ...ET)
11...	CURĂȚARE ȘI ÎNTREȚINERE
12...	CONECTAREA TERMOSTATULUI AMBIENTAL (...E / ...ET)
13...	DEFECTE DE FUNCȚIONARE, CAUZE ȘI SOLUȚII

IMPORTANT: CITIȚI CU ATENȚIE ACEST MANUAL ÎNAINTE DE A ANSAMBLA, DE A PUNE ÎN FUNCȚIUNE SAU DE A EFECTUA OPERAȚII DE ÎNTREȚINERE ÎN CEEA CE PRIVEȘTE ACEST APARAT. FOLOSIREA GREȘITĂ A APARATULUI POATE DUCE LA RĂNIRI GRAVE. PĂSTRAȚI ACEST MANUAL CA ȘI MATERIAL DE REFERINȚĂ.

►► 1. DESCRIERE

Acest generator este un aparat portabil pentru încălzirea aerului; acesta funcționează cu gaz lichid și are ca și caracteristică folosirea în totalitatea a combustibilului datorită schimbului termic prin amestecarea directă a aerului aspirat și a produselor combustiei. Este dotat cu un mâner pentru transport. Aparatul este realizat conform Normei EN 1596.

►► 2. AVERTIZĂRI

►⚠️**IMPORTANT:** Nu folosiți aparatul pentru încălzirea locuințelor; pentru folosirea în spații publice consultați regulamentele naționale.

►⚠️**IMPORTANT:** Acest aparat nu este adecvat pentru a fi folosit de către persoane (inclusiv copii) cu capacități fizice, senzoriale sau mentale reduse sau inexperte, cu excepția cazului în

care sunt supravegheate de către o persoană responsabilă de siguranța lor. Supravegheați copiii pentru a vă asigura că nu se joacă cu aparatul. Țineți animalele la distanța de siguranță față de aparat.

►⚠️**IMPORTANT:** Folosirea neadecvată a acestui generator poate provoca răni grave și poate pune în pericol viața persoanelor; poate provoca leziuni, arsuri, explozii, electrocutare sau otrăvire. Primele simptome ale intoxicației cu monoxid de carbon sunt asemănătoare cu cele ale gripei: dureri de cap, amețeli și/sau greață. Aceste simptome pot fi provocate de funcționarea defectuoasă a aparatului. **ÎN CAZUL ÎN CARE SE PREZINTĂ ACESTE SIMPTOME IEȘIȚI IMEDIAT LA AER și apelați serviciul de asistență tehnică pentru reparația aparatului.**

▶ **⚠️ IMPORTANT:** Toate operațiile de curățare, întreținere și reparație, care prevăd accesul la componente periculoase (precum înlocuirea cablului de alimentare deteriorat) trebuie să fie efectuate de către producător, serviciul de asistență tehnică sau o persoană calificată în acest sens, cu scopul de a preveni orice riscuri, chiar dacă este prevăzută întreruperea alimentării cu energie electrică.

▶ **2.1.** Respectați ordonanțele locale și normele în vigoare cu scopul de a utiliza aparatul în mod corect și de a economisi combustibil.

▶ **2.2.** Pentru a funcționa în mod corect aparatul are nevoie de schimb de aer adecvat. De aceea, acesta trebuie folosit în locuri deschise sau în încăperi în care este asigurat schimbul de aer continuu. Pentru a stabili cantitatea de aer necesară, volumul camerei trebuie calculat în funcție de puterea termică conform formulei 1 m^3 la fiecare 100 W de putere. În nici un caz, volumul camerei nu trebuie să fie mai mic de 100 m^3 . O bună aerisire este garantată de o deschizătură calculată pe baza formulei: 25 cm^2 pe kW de putere termică de cel puțin 250 cm^2 , împărțit în mod egal între partea superioară și cea inferioară a camerei. În ceea ce privește instalarea, sunt valabile normele în vigoare, inclusiv normele tehnice și dispozițiile în materie de protecție împotriva accidentelor și de prevenire a incendiilor.

▶ **2.3.** Aparatul trebuie folosit în mod exclusiv ca și generator de aer cald (mod încălzire) sau ventilator (mod ventilare în cazul modelelor care sunt prevăzute cu această funcție). Respectați cu strictețe aceste instrucțiuni.

▶ **2.4.** Producătorul nu își asumă responsabilitatea pentru daune aduse

lucrurilor și/sau persoanelor, datorate folosirii neadecvate a aparatului.

▶ **2.5.** Alimentați aparatul numai cu combustibil de tipul indicat și cu curent cu tensiunea și frecvența indicate pe plăcuța aplicată pe acesta.

▶ **2.6.** Conectați aparatul numai la rețele electrice dotate cu întrerupător diferențial și cu sistem de împământare.

▶ **2.7.** Folosiți numai prelungitoare cu secțiunea adecvată și cu fir de împământare.

▶ **2.8.** Aparatul trebuie așezat pe o suprafață orizontală, stabilă și ignifugă pentru a evita riscul de incendii.

▶ **2.9.** Este strict interzisă folosirea aparatului în subsoluri.

▶ **2.10.** Este interzisă folosirea aparatului în locuri în care pot fi prezente substanțe explozive, gaz, combustibil, solvenți, vopsele.

▶ **2.11.** În cazul în care aparatul este folosit în apropierea prelatelor, perdelelor sau a materialelor asemănătoare, este recomandată protecția ulterioară a acestora cu materiale de tip ignifug. Păstrați distanța de siguranță, care în nici un caz nu trebuie să fie mai mică de 2,5 m, față de materiale inflamabile (textile, hârtie, lemn etc.) sau sensibile la căldură (inclusiv cablul de alimentare).

▶ **2.12.** Așezați butelia de gaz într-un loc protejat, în spatele aparatului (Fig. 1). Aparatul nu trebuie să fie niciodată îndreptat spre butelia de gaz (Fig. 2).

▶ **2.13.** Este strict interzisă blocarea parțială sau totală a prizei de aer (partea posterioară) și/sau gura de ieșire a aerului (partea anterioară) (Fig. 3). Nu folosiți nici un fel de dispozitiv pentru canalizarea aerului de la/spre generator. Asigurați-vă să nu fie blocate orificiile pentru aspirația aerului aflate pe fundul bazei (în cazul modelelor care sunt prevăzute cu acest sistem).

► **2.14.** În cazul în care aparatul nu pornește sau pornește în mod neadecvat, consultați secțiunea (Cap. "13. DEFECTE DE FUNCȚIONARE, CAUZE ȘI SOLUȚII").

► **2.15.** Când este în funcțiune, aparatul nu trebuie mutat, manevrat sau supus unor operații de întreținere.

► **2.16.** Furtunul flexibil pentru gaz nu trebuie să fie supus riscului de a fi deteriorat (strivit, îndoit, răsucit, întins).

► **2.17.** Dacă simțiți miros de gaz, opriți imediat aparatul, închideți robinetul buteliei de gaz, scoateți ștecherul din priză și contactați serviciul de asistență tehnică.

► **2.18.** În cazul în care furtunul de gaz trebuie înlocuit, folosiți numai furtune de tip flexibil potrivite presiunii la care va fi supus și respectând regulamentele naționale. Furtunul de gaz trebuie să aibă o lungime de 1,5 m.

► **2.19.** Atunci când aparatul este controlat prin intermediul unui termostat ambiental (articol opțional), aparatul pornește în mod automat când temperatura scade sub limita setată.

► **2.20.** Atunci când nu folosiți aparatul, deconectați-l de la priza de curent, închideți robinetul de alimentare cu gaz, deconectați furtunul de gaz și acoperiți gura de intrare a gazului în aparat.

► **2.21.** Modul corect de funcționare al generatorului trebuie verificat cel puțin o dată pe an de către un centru de asistență tehnică.

►► 3. TIPUL COMBUSTIBILULUI

A se folosi numai gaz de categoria I₃B/P.

►► 4. CONECTAREA ȘI ÎNLOCUIREA BUTELIEI DE GAZ

Butelia de gaz trebuie înlocuită la loc deschis, departe de surse de căldură, în

locuri în care nu există riscul de producere al flăcărilor.

În vederea conectării buteliei de gaz la aparat, trebuie folosite următoarele accesorii:

• Furtun flexibil pentru gaz lichefiat.

• Regulator de presiune pentru gaz lichefiat dotat cu valvă de siguranță.

VERIFICAȚI INTEGRITATEA TUBULUI DE GAZ DE ALIMENTARE. ÎN CAZUL ÎN CARE ACESTA TREBUIE ÎNLOCUIT, FOLOSIȚI NUMAI FURTUNE FLEXIBILE, CONFORME PRESIUNII DE UTILIZARE, RESPECTÂND NORMELE ÎN VIGOARE.

► Pentru a conecta aparatul la butelia de gaz:

ATENȚIE: TOATE FILETURILE SUNT INVERSE, ADICĂ TREBUIE STRÂNSE ÎN SENS ANTIORAR.

► **4.1.** Înșurubați furtunul de gaz pe racordul aparatului (Fig. 4).

► **4.2.** Montați regulatorul de presiune pe butelia de gaz. Asigurați-vă ca regulatorul să fie prevăzut cu garnitură (dacă este prevăzută pentru tipul de racord) (Fig. 5).

► **4.3.** Conectați furtunul de gaz la regulatorul de presiune (Fig. 6).

► **4.4.** Deschideți robinetul buteliei de gaz (Fig. 7).

► **4.5.** Apăsăți butonul pentru deblocarea regulatorului (Fig. 8). **Verificați ca racordurile să fie etanșe cu ajutorul apei cu săpun: apariția bulelor de aer indică existența unor pierderi de gaz (Fig. 9).** Este posibilă racordarea mai multor butelii pentru a avea autonomie mai mare. **Se recomandă folosirea buteliilor de 30 kg, în cazul aparatelor cu puterea termică de până la 33 kW, peste puterea de 33 kW folosiți butelii cu capacitatea mai mare. Este recomandată folosirea buteliilor cu capacitate adecvată pentru a evita**

probleme datorate lipsei gazificării combustibilului. Presiunea adecvată de funcționare (vezi plăcuța aplicată pe aparat) se obține cu ajutorul regulatorului din dotare sau unul echivalent.

►► 5. CONECTAREA LA REȚEAUA ELECTRICĂ VERIFICAȚI CONECTAREA CORECTĂ LA INSTALAȚIA DE ÎMPĂMÂNTARE.

Înainte de a conecta aparatul la rețeaua electrică, asigurați-vă ca tensiunea și frecvența de alimentare să fie corecte (vezi plăcuța aplicată pe aparat). Conectarea la rețeaua electrică (Fig. 10), trebuie făcută conform normelor în vigoare.

►► 6. PORNIREA APARATULUI - MODELELE MANUALE (... / ...M / ...DV / ...M DV)

IMPORTANT: În ceea ce privesc modelele ...DV / ...M DV, controlați poziția întrerupătorului pentru schimbarea tensiunii (220-240V / 110-120V) (Fig. 11). Dacă tensiunea setată nu corespunde cu cea a rețelei, este necesară modificarea tensiunii. Desfaceți șuruburile de fixare ale capacului (Fig. 12), schimbați poziția întrerupătorului în dreptul tensiunii furnizate (Fig. 13) și montați la loc capacul (Fig. 14).

• 6.1. MODALITATE ÎNCĂLZIRE:

► 6.1.1. Duceți întrerupătorul "O/I" în poziție "I" (Fig. 15).

► 6.1.2. Apăsăți butonul de gaz până la capăt și țineți apăsat (Fig. 16).

► 6.1.3. Apăsăți în mod repetat aprinzătorul piezoelectric (Fig. 17), ținând apăsat butonul de gaz (Fig. 16).

► 6.1.4. După aprinderea flăcării, țineți apăsat butonul de gaz timp de aprox. 15 sec. (Fig. 18).

► 6.1.5. Eliberați butonul de gaz (Fig. 19). În cazul întreruperii energiei electrice sau în cazul lipsei alimentării cu gaz, aparatul se oprește în mod automat. Pornirea aparatului nu este automată ci trebuie efectuată manual repetând procedura de aprindere.

Dacă aparatul nu pornește, consultați secțiunea (Cap. "13. DEFECTE DE FUNCȚIONARE, CAUZE ȘI SOLUȚII").

• 6.2. MODALITATE VENTILARE:

Aparatul poate fi folosit și ca și ventilator. Conectați aparatul la rețeaua de alimentare cu energie electrică (Fig. 10) și duceți întrerupătorul "O/I" în poziție "I" (Fig. 15).

N.B.: Când aparatul este în funcțiune în modalitate încălzire, înainte de a trece la modalitatea ventilare, efectuați operațiile corecte de oprire a modelelor manuale [Cap. "9. OPRIREA APARATULUI - MODELELE MANUALE (... / ...M / ...DV / ...M DV)"].

►► 7. PORNIREA APARATULUI - MODELELE ELECTRONICE (...E / ...ET)

► 7.1. Duceți întrerupătorul "O/I" în poziție "I" (Fig. 15).

► 7.2. Apăsăți butonul "RESET" (Fig. 20). Aparatul începe procesul de analiză, iar după aprox. 20÷30 s flacăra se aprinde (vezi schema de funcționare Fig. 21).

În cazul întreruperii energiei electrice sau în cazul lipsei alimentării cu gaz, aparatul se oprește în mod automat. Pornirea aparatului nu este automată ci trebuie efectuată manual repetând apăsând butonul "RESET" (Fig. 20).

Dacă aparatul nu pornește, consultați secțiunea (Cap. "13. DEFECTE DE FUNCȚIONARE, CAUZE ȘI SOLUȚII").

ATENȚIE: În cazul în care aparatul se oprește datorită intervenției termostatului ambiantal (articol opțional), pornirea aparatului are loc în mod automat în momentul în care temperatura scade sub limita setată.

▶▶ 8. REGLAREA PUTERII TERMICE

În funcție de tipul de aparat, poate fi reglată puterea termică. Puterea termică poate fi reglată acționând butonul aflat la baza aparatului (Fig. 22) sau pe regulatorul de presiune montat pe butelia de gaz (Fig. 23), în funcție de model.

▶▶ 9. OPRIREA APARATULUI - MODELELE MANUALE (... / ...M / ...DV / ...M DV)

▶ 9.1.Închideți robinetul buteliei de gaz (Fig. 24).

▶ 9.2.Lăsați ventilatorul în funcțiune timp de aprox. 60 s, pentru a evita supraîncălzirea componentelor interne (răcirea internă a aparatului).

▶ 9.3.Duceți întrerupătorul "O/I" în poziție "O" (Fig. 25).

▶ 9.4.Deconectați aparatul de la rețeaua electrică (Fig. 26).

▶ 9.5.Deconectați furtunul de alimentare cu gaz (Fig. 27).

▶▶ 10. OPRIREA APARATULUI - MODELELE ELECTRONICE (...E / ...ET)

▶ 10.1.Duceți întrerupătorul "O/I" în poziție "O" (Fig. 25). Flacăra se stinge, iar aparatul execută faza post-ventilare. Așteptați încheierea ciclului pentru a evita deteriorarea componentelor interne, datorată supraîncălzirii (faza este automată și poate dura de la 50 s±5 min în funcție de temperatura internă/externă a aparatului).

▶ 10.2.Închideți robinetul buteliei de gaz (Fig. 24).

▶ 10.3.Deconectați aparatul de la rețeaua electrică (Fig. 26).

▶ 10.4.Deconectați furtunul de alimentare cu gaz (Fig. 27).

N.B.: Nu deconectați aparatul de la rețeaua de alimentare cu energie electrică, înainte de încheierea fazei de post-ventilare, pentru a evita deteriorarea componentelor din cauza supraîncălzirii.

▶▶ 11. CURĂȚARE ȘI ÎNTREȚINERE

Modul corect de funcționare a generatorului trebuie verificat cel puțin o dată pe an de către un centru de asistență tehnică. După utilizare, înainte de depozitare, aparatul trebuie curățat.

▶ 11.1.Înainte de a începe orice fel de operație de întreținere, îngrijire sau reparație a aparatului, realizați faza de oprire [Cap. "9. OPRIREA APARATULUI - MODELELE MANUALE (... / ...M / ...DV / ...M DV)" sau "10. OPRIREA APARATULUI - MODELELE ELECTRONICE (...E / ...ET)"].

▶ 11.2.Operațiile de curățare privesc numai priza de aer (partea posterioară) a aparatului.

▶ 11.3.Atunci când aparatul este pus din nou în funcțiune, controlați integritatea furtunului de gaz și a cablului de alimentare; dacă acestea sunt deteriorate apelați la serviciul de asistență tehnică.

▶ 11.4.Nu efectuați intervenții neautorizate.

▶▶ 12. CONECTAREA TERMOSTATULUI AMBIANTAL (...E / ...ET) (opțional)

Scoateți capacul aparatului și conectați termostatul ambiantal (opțional) (Fig. 30). Vezi schema electrică (...E / ...ET).

►► 13. DEFECTE DE FUNCȚIONARE, CAUZE ȘI SOLUȚII

DEFECTE DE FUNCȚIONAREM ...DV ...M DV	...E ...ET	PÖHJUSED	LAHENDUS
Motorul nu pornește	X	X	Lipsește tensiunea	1° Verificați instalația de rețea 2° Serviciul de asistență tehnică
	X	X	Cablul de alimentare este defect/deteriorat	Serviciul de asistență tehnică
	X	X	Motor defect	Serviciul de asistență tehnică
		X	Conectare neadecvată a termostatului ambiantal	Conectați în mod corect termostatul
Flacăra nu se aprinde	X	X	Butelia de gaz este goală	Înlocuiți butelia de gaz (Cap. 4)
	X	X	Valva de siguranță a regulatorului este blocată	1° Apăsați butonul pentru deblocare aflat pe regulator (Fig. 8) 2° Serviciul de asistență tehnică
	X	X	Robinetul buteliei de gaz este închis	Deschideți robinetul buteliei de gaz (Fig. 7)
	X	X	Circuitul de aprindere este defect	Serviciul de asistență tehnică
		X	Împământare inefficientă	Verificați împământarea rețelei dumneavoastră
Flacăra nu rămâne aprinsă	X		Butonul de gaz nu este ținut apăsat suficient de mult timp	Apăsați butonul de gaz pentru mai mult timp (Cap. 6.1.4.)
	X	X	Aparat defect	Serviciul de asistență tehnică
Flacăra se stinge în timpul funcționării	X	X	Alimentarea cu gaz este insuficientă	1° Înlocuiți butelia de gaz (Cap. 4) 2° Serviciul de asistență tehnică
	X	X	Combustibilul nu este gazificat	Folosiți butelii cu capacitate adecvată (Cap. 4)
	X	X	Aparatul se supraîncălzește	1° Curățați priza de aer (partea posterioară) 2° Serviciul de asistență tehnică
	X	X	Aparat defect	Serviciul de asistență tehnică

OBSAH ODSTAVCOV

1...	POPIS
2...	UPOZORNENIA
3...	TYP PALIVA
4...	ZAPOJENIE A VÝMENA PLYNOVEJ BOMBY
5...	ZAPOJENIE K ELEKTRICKEJ SIETI
6...	ZAPNUTIE MANUÁLNYCH MODELOV (... / ...M / ...DV / ...M DV)
7...	ZAPNUTIE ELEKTRONICKÝCH MODELOV (...E / ...ET)
8...	NASTAVENIE TEPELNÉHO VÝKONU
9...	VYPNUTIE MANUÁLNYCH MODELOV (... / ...M / ...DV / ...M DV)
10...	VYPNUTIE ELEKTRONICKÝCH MODELOV (...E / ...ET)
11...	ČISTENIE A ÚDRŽBA
12...	ZAPOJENIE TERMOSTATU PROSTREDIA (...E / ...ET)
13...	ANOMÁLIE PREVÁDZKY, PRÍČINY A NÁPRAVY

DÔLEŽITÉ: PREČÍTAJTE SI A SPRÁVNE POCHOPTTE TÚTO OPERATÍVNU PRÍRUČKU PRED MONTÁŽOU, UVEDENÍM DO PREVÁDZKY ALEBO ÚDRŽBOU TOHTO GENERÁTORA. NESPRÁVNE POUŽITIE MÔŽE ZAPRÍČINIŤ VÁŽNE PORANENIA. USCHOVÁVAJTE TÚTO PRÍRUČKU PRE BUDÚCE KONZULTÁCIE.

►► 1. POPIS

Tento generátor je prenosný ohrievač vzduchu, ktorý pracuje na kvapalnú plyn; je charakterizovaný úplným využitím paliva na základe výmeny tepla priamym miešaním nasávaného vzduchu a produktov spaľovania. Je vybavený praktickou rukoväťou pre ľahšiu prepravu a manipuláciu. Prístroj je vyrobený v súlade s EN 1596.

►► 2. UPOZORNENIE

►⚠**DÔLEŽITÉ:** Nepoužívajte na vyhrievanie obytných priestorov bytových domov; pre použitie vo verejných budovách dodržujte príslušné národné predpisy.

►⚠**DÔLEŽITÉ:** Tento prístroj nie je určený na použitie zo strany osôb (vrátane detí) so zníženými fyzickými, zmyslovými alebo mentálnymi vlastnosťami, alebo

osôb neskúsených, pokiaľ nie sú pod priamym dohľadom osoby, ktorá je zodpovedná za ich bezpečnosť. Deti musia byť kontrolované, aby sa s prístrojom nehrali. Udržiavajte zvieratá v bezpečnej vzdialenosti od prístroja.

►⚠**DÔLEŽITÉ:** Nesprávne použitie tohto generátora môže zapríčiniť škody alebo ohrozenie života osôb, zranenia, popáleniny, výbuchy, elektrické šoky alebo otravy. Prvé príznaky asfixie kyslíčnikom uhoľnatým sa podobajú chrípke, s bolesťami hlavy, točením hlavy a/alebo nútením k zvracaniu. Tieto príznaky môžu byť zapríčinené nesprávnym fungovaním generátora. V PRÍPADE VÝSKYTU TÝCHTO PRÍZNAKOV OKAMŽITE VYJDITE VON NA OTVORENÉ PRIESTRANSTVO a nechajte opraviť generátor technickou servisnou službou.

► **⚠DÔLEŽITÉ:** Všetky úkony čistenia, údržby a opravy, ktoré predpokladajú prístup k nebezpečným častiam (napr. výmena poškodeného napájacieho kábla), musí vykonávať výrobca, jeho technická servisná služba, osoba s podobnou kvalifikáciou, aby sa zabránilo akémukoľvek riziku; a to i v prípade, že zariadenie bude odpojené od napájacej siete.

► **2.1.** Pre správne použitie generátora a uschovávanie paliva dodržujte všetky platné miestne výnosy a predpisy.

► **2.2.** Generátor si pre prevádzku vyžaduje dostatočnú cirkuláciu vzduchu. Preto by mal byť používaný na otvorenom priestranstve alebo v miestnostiach s trvalou a zaistenou výmenou vzduchu. Dobré vetránie je zaistené vtedy, keď je objem miestnosti kalkulovaný úmerne k tepelnému výkonu, s formulou 1 m^3 na každých 100 W výkonu. V žiadnom prípade odporúčaný objem v miestnosti nesmie byť menší než 100 m^3 . Dobrá ventilácia je zaistená otvorom, ktorý zodpovedá vzorcu 25 cm^2 na kW tepelného výkonu, s najmenej 250 cm^2 , rovnomerne rozdeleným medzi hornou a dolnou časťou miestnosti. Pre inštaláciu platia platné miestne pravidlá a predpisy, vrátane technických noriem a predpisov o protiúrazovej ochrane a prevencii vniku požiarov.

► **2.3.** Prístroj musí byť používaný iba ako generátor teplého vzduchu (režim vyhrievania) alebo ventilátor (režim vetrania, pre modely, ktoré majú túto funkciu). Pri použití starostlivo dodržujte tieto pokyny.

► **2.4.** Výrobca sa zrieka akejkolvek zodpovednosti za škody na majetku a/alebo osobách, vyplývajúcich z nesprávneho použitia prístroja.

► **2.5.** Napájajte generátor iba presne stanoveným druhom paliva a s prúdom

o napätí a frekvencii, ktoré zodpovedajú údajom uvedeným na identifikačnom štítku prístroja.

► **2.6.** Uistite sa, že je generátor zapojený len k elektrickým sietiam, ktoré sú adekvátne vybavené diferenčným prepínačom a riadne uzemnené.

► **2.7.** Používajte výhradne predĺžovacie káble so zodpovedajúcou sekciou a s vodičom uzemnenia.

► **2.8.** Generátor musí pracovať na rovnom, stabilnom a nehorľavom povrchu, aby sa zabránilo rizikám požiaru.

► **2.9.** Je absolútne zakázané používať generátor v suterénoch alebo pod úrovňou terénu.

► **2.10.** Generátor nesmie byť používaný v miestnostiach, kde je prítomný výbušný prach, výpary, plyn, palivá, riedidlá, farby.

► **2.11.** Pokiaľ sa generátor používa v blízkosti plachiet, stanov alebo podobných materiálov na zakrytie, odporúča sa použiť dodatočnú ochranu nehorľavého typu. Uistite sa, že je dodržaná bezpečná vzdialenosť, ktorá v žiadnom prípade nesmie byť menšia než $2,5 \text{ m}$ od horľavých materiálov (textílie, papier, drevo, atď..) alebo termolabilných materiálov (vrátane napájacieho kábla) od teplých častí generátora.

► **2.12.** Umiestnite plynovú bombu do chránenej polohy, dozadu za prístroj (Obr. 1). Generátor nesmie byť nasmerovaný k plynovej bombe (Obr. 2).

► **2.13.** Z akéhokoľvek dôvodu je zakázané celkom alebo čiastočne blokovat' prívod vzduchu (zadná strana) a/alebo odvod vzduchu (predná strana) (Obr. 3). Vyvarujte sa použitia akýchkoľvek vzduchových potrubí z/do generátora. Uistite sa, že vetracie otvory pre prívod vzduchu na spodnej strane základu nie sú upchanné (u modelov, ktoré sú vybavené týmto riešením).

► **2.14.** V prípade chýbajúceho zapnutia alebo anomálneho zapnutia generátora

konzultujte príslušnú časť (Odst. "13. ANOMÁLIE PREVÁDZKY, PRÍČINY A NÁPRAVY").

► **2.15.** Keď je generátor v prevádzke, nesmie byť nikdy premiestňovaný, manipulovaný ani podrobovaný akémukoľvek údržbárskému zásahu.

► **2.16.** V akejkolvek prevádzkovej podmienke alebo kľudovom stave prístroja dávajte pozor, aby nedošlo k poškodeniu flexibilnej plynovej hadice (pohmoždenie, zalomenie, priškrtenie, napnutie).

► **2.17.** Pokiaľ ucítite zápach plynu, prístroj okamžite vypnite, zatvorte plynovú bombu, odpojte zástrčku zo siete a zavolajte technickú servisnú službu.

► **2.18.** V prípade výmeny plynovej hadice používajte iba hadice flexibilného typu, ktoré zodpovedajú prevádzkovému tlaku; rešpektujte národné predpisy. Plynová hadica musí byť dlhá 1,5 m.

► **2.19.** Pokiaľ je prístroj kontrolovaný termostatom prostredia (voliteľný prvok), môže sa generátor zapnúť v ktoromkoľvek momente, to znamená keď teplota klesne pod nastavenú hranicu.

► **2.20.** Pokiaľ prístroj nie je používaný, odpojte ho od sieťovej zásuvky, uzavrite plynové napájanie, odpojte plynovú hadicu od generátora a upchajte prívodní otvor plynu na prístroji.

► **2.21.** Najmenej raz do roka a/alebo podľa potreby nechajte skontrolovať správne fungovanie generátora technickou službou.

►► 3. TYP PALIVA

Používajte výhradne plyn kategórie I₃B/P.

►► 4. ZAPOJENIE A VÝMENA PLYNOVEJ BOMBY

Plynová bomba sa musí vymieňať na otvorenom priestranstve, ďaleko od zdrojov tepla, v atmosfére bez prítomnosti plameňov.

Ak chcete pripojiť plynovú bombu ku generátoru, je potrebné použiť len nasledujúce príslušenstvo:

- Flexibilná hadica pre kvapalnú plyn.
- Regulátor tlaku pre kvapalnú plyn, vybavený poistným ventilom.

SKONTROLUJTE INTEGRITU NAPÁJACEJ PLYNOVEJ HADICE. V PRÍPADE, ŽE TÁTO MUSÍ BYŤ VYMENENÁ, POUŽÍVAJTE IBA HADICE FLEXIBILNÉHO TYPU, KTORÉ ZODPOVEDAJÚ PREVÁDZKOVÉMU TLAKU; REŠPEKTUJTE NÁRODNÉ PREDPISY.

► Pre zapojenie generátora k plynovej bombe:

UPOZORNENIE: VŠETKY ZÁVITY SÚ ĽAVOSMERNÉ, TO ZNAMENÁ, ŽE SA UŤAHUJÚ V PROTISMERE HODINOVÝCH RUČIČIEK.

► **4.1.** Zapojte plynovú hadicu k spoju generátora (Obr. 4).

► **4.2.** Namontujte regulátor tlaku na plynovú bombu. Uistite sa, že je regulátor vybavený tesnením (ak si to prípoj vyžaduje) (Obr. 5).

► **4.3.** Zapojte plynovú hadicu k regulátoru tlaku (Obr. 6).

► **4.4.** Otvorte kohútik plynovej bomby (Obr. 7).

► **4.5.** Stlačte tlačidlo pre odblokovanie regulátora (Obr. 8). **Skontrolujte tesnosť spojov mydlovou vodou: prítomnosť bublín znamená eventuálne úniky plynu (Obr. 9).** Je rovnako možné prepojiť navzájom medzi sebou niekoľko plynových bômb pre zaistenie dlhšej autonómie prístroja. **Odporúča sa používať plynové bomby s hmotnosťou 30 kg až do tepelného výkonu 33 kW; s výkonom vyšším než 33 kW použite plynové bomby s vyššou kapacitou. Odporúča sa používať plynové bomby zodpovedajúcej**

kapacity, aby nedochádzalo k chýbajúcemu splyňovaniu paliva. Správny prevádzkový tlak (pozri štítok s údajmi aplikovaný na generátore) závisí od dodaného regulátora, alebo od ekvivalentného modelu.

►► 5. ZAPOJENIE K ELEKTRICKEJ SIETI SKONTROLUJTE SPRÁVNE UZEMNENIE VÁŠHO ELEKTRICKÉHO ZARIADENIA.

Pred zapojením generátora k elektrickej sieti sa uistite, či sú napájacie napätie a frekvencia správne (pozri štítok s údajmi aplikovaný na generátore). Zapojenie k elektrickej sieti (Obr. 10) sa musí vykonávať v súlade s platnými národnými normami.

►► 6. ZAPNUTIE MANUÁLNYCH MODELOV (... / ...M / ...DV / ...M DV)

DÔLEŽITÉ: Pre modely ...DV / ...M DV skontrolujte polohu prepínača zmeny napätia (220-240V / 110-120V) (Obr. 11). Ak napätie nastavené na prístroji nezodpovedá napätiu dodávanému zo siete, je nutné ho prispôbiť. Odskrutkujte 2 upevňujúce skrutky z krytu (Obr. 12), prepnite spínač na napätie dodávané zo siete (Obr. 13) a opätovne kryt namontujte (Obr. 14).

• 6.1. REŽIM VYHRIEVANIA:

► 6.1.1. Nastavte vypínač "O/I" do polohy "I" (Obr. 15).

► 6.1.2. Stlačte na doraz plynové tlačidlo a podržte ho stlačené (Obr. 16).

► 6.1.3. Aktivujte opakovane a na doraz piezoelektrický zapaľovač (Obr. 17), udržiujúc plynové tlačidlo stlačené (Obr. 16).

► 6.1.4. Po zapnutí plameňa podržte plynové tlačidlo stlačené ešte zhruba 15 sekúnd (Obr. 18).

► 6.1.5. Pustite plynové tlačidlo (Obr. 19). V prípade prerušenia dodávky elektrickej energie alebo v prípade chýbajúceho plynu sa prístroj vypne. Opätovné zapnutie prístroje nie je automatické, je potrebné ho zopakovať manuálne podľa popísanej procedúry zapnutia.

Pokiaľ sa prístroj nezapne, konzultujte príslušnú časť (Odst. "13. ANOMÁLIE PREVÁDZKY, PRÍČINY A NÁPRAVY").

• 6.2. REŽIM VENTILÁCIE:

Generátor sa môže používať aj ako ventilátor. Zapojte generátor k elektrickej sieti (Obr. 10) a nastavte vypínač "O/I" do polohy "I" (Obr. 15).

Pozn.: Pokiaľ generátor funguje v režime vyhrievania a chcete prejsť do režimu ventilátor, je nutné najskôr vykonať správnu procedúru vypnutia, čo sa týka modelov s manuálnym ovládaním [Odst. "9. VYPNUTIE MANUÁLNYCH MODELOV (... / ...M / ...DV / ...M DV)"].

►► 7. ZAPNUTIE ELEKTRONICKÝCH MODELOV (...E / ...ET)

► 7.1. Nastavte vypínač "O/I" do polohy "I" (Obr. 15).

► 7.2. Stlačte tlačidlo "RESET" (Obr. 20). Generátor spustí sekvenciu analýzy a po zhruba 20÷30 sekundách sa plameň zapáli (pozri schému fungovania Obr. 21). V prípade prerušenia dodávky elektrickej energie alebo v prípade chýbajúceho plynu sa prístroj vypne. Opätovné zapnutie prístroje nie je automatické, je potrebné ho zopakovať manuálne stlačením tlačidla "RESET" (Obr. 20).

Pokiaľ sa prístroj nezapne, konzultujte príslušnú časť (Odst. "13. ANOMÁLIE PREVÁDZKY, PRÍČINY A NÁPRAVY").

UPOZORNENIE: Ak sa prístroj zastaví v dôsledku zásahu termostatu prostredia (voliteľný prvok), opätovné zapnutie generátora bude automatické, keď teplota klesne pod nastavenú hranicu.

▶▶ 8. NASTAVENIE TEPELNÉHO VÝKONU

V závislosti od typu generátora je možné regulovať tepelný výkon prístroja. Tepelný výkon sa reguluje pôsobením na rukoväť, nachádzajúcu sa na báze generátora (Obr. 22), alebo prostredníctvom tlakového regulátora, nainštalovaného na plynovej bombe (Obr. 23); v závislosti od modelu.

▶▶ 9. VYPNUTIE MANUÁLNYCH MODELOV (... / ...M / ...DV / ...M DV)

- ▶ 9.1. Zatvorte plynovú bombu (Obr. 24).
- ▶ 9.2. Nechajte fungovať ventilátor zhruba 60 sekúnd, aby nedošlo k poškodeniu vnútorných častí následkom prehriatia (vnútorné ochladenie generátora).
- ▶ 9.3. Nastavte vypínač "O/I" do polohy "O" (Obr. 25).
- ▶ 9.4. Odpojte generátor od elektrickej siete (Obr. 26).
- ▶ 9.5. Odpojte generátor od napájacej plynovej hadice (Obr. 27-28-29).

sk ▶▶ 10. VYPNUTIE ELEKTRONICKÝCH MODELOV (...E / ...ET)

- ▶ 10.1. Nastavte vypínač "O/I" do polohy "O" (Obr. 25). Plameň zhasne a generátor sa uvedie do fázy post-ventilácie. Počkajte ukončenie cyklu, aby nedošlo k poškodeniu vnútorných častí následkom prehriatia (fáza je automatická a môže trvať od 50 sekúnd do 5 minút v závislosti od vnútornej/vonkajšej teploty generátora).
- ▶ 10.2. Zatvorte plynovú bombu (Obr. 24).
- ▶ 10.3. Odpojte generátor od elektrickej siete (Obr. 26).

▶ 10.4. Odpojte generátor od napájacej plynovej hadice (Obr. 27-28-29).

Pozn.: Vyhýbajte sa odpojeniu generátora od elektrickej siete skôr než dôjde k ukončeniu fázy post-ventilácie, aby nedošlo k poškodeniu vnútorných častí následkom prehriatia.

▶▶ 11. ČISTENIE A ÚDRŽBA

Najmenej raz do roka a/alebo podľa potreby nechajte skontrolovať správne fungovanie generátora technickou službou. Pred uložením na miesto sa musí generátor starostlivo vyčistiť.

▶ 11.1. Pred akýmkoľvek údržbárskym zásahom, úkonom alebo opravou prístroja vykonajte sekvenciu vypnutia [Odst. "9. VYPNUTIE MANUÁLNYCH MODELOV (... / ...M / ...DV / ...M DV)" alebo "10. VYPNUTIE ELEKTRONICKÝCH MODELOV (...E / ...ET)"].

▶ 11.2. Čistenie sa vzťahuje len na prírodný otvor vzduchu (zadná strana) generátora.

▶ 11.3. Keď je prístroj používaný, kontrolujte stav plynovej hadice a napájacieho kábla; ak máte pochybnosti o ich integrite, zavolajte technickú servisnú službu.

▶ 11.4. Nevykonávajte neoprávnené zásahy.

▶▶ 12. ZAPOJENIE TERMOSTATU PROSTREDIA (...E / ...ET) (voliteľný prvok)

Odstráňte uzáver na prístroji a zapojte termostat prostredia (voliteľný prvok) (Obr. 30).

Konzultujte elektrickú schému (...E / ...ET).

►► 13. ANOMÁLIE PREVÁDZKY, PRÍČINY A NÁPRAVY

ANOMÁLIE FUNGOVANIAM ...DV ...M DV	...E ...ET	PRÍČINY	NÁPRAVY
Motor sa nespustí	X	X	Chýba napätie	1° Skontrolujte zariadenie siete 2° Technická asistencia
	X	X	Napájací kábel poruchový/ poškodený	Technická asistencia
	X	X	Motor poruchový	Technická asistencia
		X	Chybné zapojenie termostatu prostredia	Zapojte správne termostat prostredia
Plameň sa nezapaľuje	X	X	Plynová bomba je prázdna	Vymeňte plynovú bombu (Odst. 4)
	X	X	Poistný ventil regulátora zablokovaný	1° Stlačte tlačidlo pre odblokovanie plynu regulátora (Obr. 8) 2° Technická asistencia
	X	X	Kohútik plynovej bomby zatvorený	Otvorte kohútik plynovej bomby (Obr. 7)
	X	X	Okruh zapnutia poruchový	Technická asistencia
		X	Uzemnenie nedostatočné	Skontrolujte správne uzemnenie vášho zariadenia
Plameň nezostane rozsvietený	X		Plynové tlačidlo nebolo stlačené dostatočne dlhú dobu	Stlačte plynové tlačidlo po dlhšiu dobu (Odst. 6.1.4.)
	X	X	Generátor poruchový	Technická asistencia
Vypnutie plameňa počas prevádzky	X	X	Nedostatočný prívod plynu	1° Vymeňte plynovú bombu (Odst. 4) 2° Technická asistencia
	X	X	Chýba splyňovanie paliva	Používajte plynové bomby adekvátnej kapacity (Odst. 4)
	X	X	Prehriatie prístroja	1° Vyčistite prívod vzduchu (zadná strana) 2° Technická asistencia
	X	X	Generátor poruchový	Technická asistencia

СЪДЪРЖАНИЕ НА РАЗДЕЛИТЕ


1...	ОПИСАНИЕ
2...	ПРЕДУПРЕЖДЕНИЯ
3...	ВИД НА ГОРИВНИЯ ГАЗ
4...	СВЪРЗВАНЕ И СМЯНА НА ГАЗОВАТА БУТИЛКА
5...	СВЪРЗВАНЕ КЪМ ЕЛЕКТРИЧЕСКАТА МРЕЖА
6...	ВКЛЮЧВАНЕ ПРИ РЪЧНИТЕ МОДЕЛИ (... / ...М / ...DV / ...М DV)
7...	ВКЛЮЧВАНЕ ПРИ ЕЛЕКТРОННИТЕ МОДЕЛИ (...Е / ...ЕТ)
8...	РЕГУЛИРАНЕ НА ТОПЛИНИЯ КАПАЦИТЕТ
9...	ИЗКЛЮЧВАНЕ ПРИ РЪЧНИТЕ МОДЕЛИ (... / ...М / ...DV / ...М DV)
10...	ИЗКЛЮЧВАНЕ ПРИ ЕЛЕКТРОННИТЕ МОДЕЛИ (...Е / ...ЕТ)
11...	ПОЧИСТВАНЕ И ПОДДРЪЖКА
12...	СВЪРЗВАНЕ НА ТЕРМОСТАТ ПОМЕЩЕНИЕ (...Е / ...ЕТ)
13...	АНОМАЛИИ ПРИ РАБОТА, ПРИЧИНИ И РЕШЕНИЯ


ВАЖНО: ПРОЧЕТЕТЕ И СЕ ЗАПОЗНАЙТЕ С НАСТОЯЩИЯТ НАРЪЧНИК, ПРЕДИ ИЗВЪРШВАНЕ НА МОНТАЖ, ПУСКАНЕ В ДЕЙСТВИЕ ИЛИ ПОДДРЪЖКА НА ТОЗИ ВИД ГЕНЕРАТОР. НЕПРАВИЛНАТА УПОТРЕБА НА ГЕНЕРАТОРА, МОЖЕ ДА ДОВЕДЕ ДО СЕРИОЗНИ НАРАНЯВАНИЯ. СЪХРАНЯВАЙТЕ ТОЗИ НАРЪЧНИК ЗА ИЗВЪРШВАНЕ НА БЪДЕЩА СПРАВКА.

►► 1. ОПИСАНИЕ


Този генератор служи като подвижно отоплително тяло, работещо с течен газ, за който е характерно цялостно изгаряне на горивния газ, посредством топлиннообмен за цялостно директно смесване на засмукваният въздух и отпадъците от горенето. Уредът разполага с практична ръкохватка, за улеснение при пренасяне и транспорт. Уредът е изпълнен съгласно Норматива EN 1596.

►► 2. ПРЕДУПРЕЖДЕНИЯ

►  **ВАЖНО:** Да не се използва за отопление на обитаеми помещения в жилищни сгради; за приложение в обществени сгради, направете справка с националните правилници.

►  **ВАЖНО:** Този уред не е подходящ за използване, от страна на лица с намалени физически, сензорни или

умствени способности (включително и деца), или некомпетентни лица, освен в случаи, когато са под наблюдение и контрол, от страна на лице отговорно за тяхната безопасност. Децата трябва да се следят, за това да не си играят с уреда. Дръжте животните на безопасно разстояние от уреда.

►  **ВАЖНО:** неправилната употреба на този генератор, може да доведе до нанасяне на щети или опасност за живота на лица, наранявания, изгаряния, експлозии, електрически шоки или отравяния. Първите симптоми на задушаване с въглероден окис, приличат на тези при състояние на грип, с главоболие, виене на свят, и/или гадене. Тези симптоми, могат да са резултат от неправилната работа на генератора. **ПРИ НАБЛЮДЕНИЕ НА ТАКИВА СИМПТОМИ, ИЗЛЕЗТЕ ВЕДНАГА НА ОТКРИТО и се свържете**

с технически сервиз, за извършване ремонт на генератора.

▶ **⚠ВАЖНО:** всички операции по почистването, поддръжката и ремонта, които са свързани с достъп до опасните части (като такива при смяна на повреден захранващ кабел), трябва да се извършват от производителя, от негов сервиз за техническа поддръжка, от лице с подобна квалификация, с цел избягване на всякакви рискове, независимо предвиденото разкачване от захранващата мрежа.

▶ **2.1.** За правилна употреба на генератора и за съхранение на горивния газ, се придържайте към всички местни разпоредби и към действащите нормативи.

▶ **2.2.** За да работи генераторът се нуждае от подходяща обмяна на въздуха.

Затова той се използва, на открито или в помещения с осигурена постоянна обмяна на въздуха. Добрата обмяна на въздуха е гарантирана, когато обемът на помещението е изчислено спрямо топлинната мощност, с формула на 1 m^3 навсеки 100 W мощност. В никакъв случай, не се препоръчва обем на помещението да бъде по-малък от 100 m^3 . Добрата вентилация е осигурена с отваряемост, която да осигурява формулата при 25 cm^2 на kW топлинна мощност, с минимум от 250 cm^2 , равномерно разпределена между горната и долната част на помещението. При монтажа се прилагат действащите национални нормативи, включително техническите нормативи и разпоредбите, във връзка с противопожарните изисквания и предпазване от пожари.

▶ **2.3.** Уредът трябва да се използва само като генератор за загряване на въздуха) режим отопление, или вентилатор (режим вентилатор, за моделите, при които е предвидена тази функция). Относно употребата, следвайте стриктно настоящите упътвания.

▶ **2.4.** Производителят отхвърля всякаква отговорност за щети, нанесени на предмети и/или лица, свързани с неправилна употреба на уреда.

▶ **2.5.** Захранвайте генератора само с вида горивен газ, изрично посочен и с електрически ток с напрежение и честота, указани на табелката с данни, поставена на генератора.

▶ **2.6.** Осигурете свързване на генератора само към електрически мрежи, снабдени по подходящ начин с диференциален прекъсвач и с подходяща система за заземяване.

▶ **2.7.** Използвайте само удължители с подходящо сечение, снабдени със заземителен кабел.

▶ **2.8.** Генераторът трябва да работи на нивелирана, неподвижна и огнеупорна повърхност, за избягване на всякакви рискове от пожар.

▶ **2.9.** Абсолютно е забранено използване на уреда в мазета или под земята.

▶ **2.10.** Генераторът не трябва да се използва в помещения, с наличие на експлозивни прахове, изпарения, газ, горивни газове, разтворители, бои.

▶ **2.11.** При използване на генератора в близост до брезенти, щори или подобни материали за покриване, се препоръчва използване на допълнителни огнеупорни защиты. Внимавайте за спазване на подходяща дистанция, така че тя в никакъв случай да не бъде по-малка от $2,5 \text{ m}$ от запалими материали (плат, хартия, дърво и други) или топлинно неустойчиви (включително захранващият кабел), от топлините части на генератора.

▶ **2.12.** Поставете газовата бутилка на закрито място, зад уреда (Сх. 1). Генераторът не трябва никога да се обръща към газовата бутилка (Сх. 2).

▶ **2.13.** По каквато и да е причина, е забранено цялостно или частично възпрепятстване на навлизането на въздуха (долна страна) и/или отворът за излизане на въздуха (предна страна) (Сх. 3). Избягвайте използването на всякакви

тунели за въздуха от/към генератора. Проверете да не са запушени отворите за засмукване на въздуха, налични на дъното на основата (за моделите, които предлагат такова изпълнение).

► **2.14.** При липса на запалване, или при аномалия при запалване на генератора, направете справка със съответният раздел, (Раздел “13. АНОМАЛИИ ПРИ РАБОТА, ПРИЧИНИ И РЕШЕНИЯ”).

► **2.15.** Когато генераторът работи, не трябва в никакъв случай да се мести, да се работи с него, както и да не се подлага на никаква намеса по поддръжка.

► **2.16.** При всякакви условия на ползване или съхранение на уреда, обърнете вниманиен да не се огъва меката тръба за газа (да не се прегъва, огъва, увива, напруга).

► **2.17.** При усещане на газ, веднага изключете уреда, затворете газовата бутилка, изключете щепсела от мрежата и се свържете с техническо обслужване.

► **2.18.** При смяна на тръбата за газ, използвайте само тръби от вида мека връзка, подходяща за работното налягане, като направите справка с националните правилници. Тръбата за газа трябва да бъде с дължина от 1,5 м.

► **2.19.** Когато уредът се управлява от термостат помещение (точката за опция), генераторът може да се включи отново по всяко време и когато температурата спадне под зададената граница.

bg ► **2.20.** При неизползване на генератора, разкачете го от мрежовият контакт, затворете подаването на газ, разкачете тръбата за газ от генератора, и поставете тапа на входа на газа на генератора.

► **2.21.** Извършвайте проверка за правилна работа на генератора, от страна на техническо обслужване, поне веднъж в годината и/или в зависимост от нуждите.

►► 3. ВИД ГОРИВЕН ГАЗ

Използвайте само газ от категория I₃V/P.

►► 4. СВЪРЗВАНЕ И СМЯНА НА ГАЗОВАТА БУТИЛКА

Газовата бутилка трябва да се сменя на открито, далеч от източници на топлина, в среда без наличие на искри.

За свързването на газовата бутилка към генератора, трябва да се използват само следните аксесоари:

• Мека връзка за течен газ.

• Регулатор за налягане за течният газ, окомплектован с предпазен клапан.

ПРОВЕРЕТЕ ЦЕЛОСТТА НА ТРЪБАТА НА ЗАХРАНВАЩИЯТ ГАЗ. КОГАТО СЕ НАЛАГА СМЯНА, ИЗПОЛЗВАЙТЕ САМО ТРЪБА ОТ ВИДА МЕКА ВРЪЗКА, ПОДХОДЯЩА ЗА РАБОТНОТО НАЛЯГАНЕ, КАТО НАПРАВИТЕ СПРАВКА С НАЦИОНАЛНИТЕ ПРАВИЛНИЦИ.

► При свързване на генератора към газовата бутилка:

ВНИМАНИЕ: ВСИЧКИ РЕЗБИ СА НАЛЯВО, ТОЕСТ ЗАТЯГАТ СЕ ПО ПОСОКА ОБРАТНА НА ЧАСОВНИКОВАТА СТРЕЛКА.

► **4.1.** Завийте тръбата за газа на съединението на генератора (Сх. 4).

► **4.2.** Монтирайте регулатора на налягане на газовата бутилка. Проверете дали регулаторът е наличен на уплътнението (когато видът на свързване го предвижда) (Сх. 5).

► **4.3.** Свържете тръбата за регулиране на налягането (Сх. 6).

► **4.4.** Отворете кранчето на газовата бутилка (Сх. 7).

► **4.5.** Натиснете бутона за отблокиране на регулатора (Сх. 8). Проверете уплътнението на съединенията със сапунената вода: липсата на межурчета, указва наличие на възможни течове (Сх. 9). Възможно е свързване на повече газови бутилки помежду им, за постигане на по-голяма автономност. Препоръчва се използване на газови бутилки от 30 кг, до топлинна мощност от 33 kW, над

тази мощност от 33 kW използвайте по-големи газови бутилки. Препоръчва се използване на газови бутилки с подходящ капацитет, с цел избягване на проблеми, свързани с липса на газификация с горивен газ. Правилното работно налягане (вижте табелката с дати, поставена на генератора) се определя от регулатора, включен в доставката, или от подобен модел.

▶▶ 5. СВЪРЗВАНЕ КЪМ ЕЛЕКТРИЧЕСКАТА МРЕЖА

ПРОВЕРЕТЕ ПРАВИЛНАТА ЗАЗЕМИТЕЛНА СИСТЕМА НА ВАШАТА ЕЛЕКТРИЧЕСКА ИНСТАЛАЦИЯ.

Преди свързване на генератора към електрическата мрежа, проверете дали напрежението и честотата на захранването са правилни (вижте табелката с данни, поставена на вашият генератор). Свързването към електрическата мрежа (Сх. 10), се извършва съгласно действащите национални нормативи.

▶▶ 6. ЗАПАЛВАНЕ ПРИ РЪЧНИ МОДЕЛИ (... / ...M / ...DV / ...M DV)

ВАЖНО: При моделите ...DV / ...M DV, проверете позицията на прекъсвача за смяна на напрежението (220-240V / 110-120V) (Сх. 11). Когато напрежението, зададено на уреда не отговаря на това подавано по мрежата, трябва да се действа за настройка на напрежението. Развийте двата болта за завиване на капака (Сх. 12), преместете прекъсвача на стойността на доставяното напрежение (Сх. 13) и монтирайте отново капака (Сх. 14)

• 6.1. РЕЖИМ НА ОТОПЛЕНИЕ:

▶ 6.1.1. Доведете прекъсвача "O/I" на позиция "I" (Сх. 15).

▶ 6.1.2. Натиснете до края бутона газ и го задръжте натиснат (Сх. 16).

▶ 6.1.3. Задействайте до края и постоянно пиезоелектрическата горелка (Сх. 17),

като държите натиснат бутона за газ (Сх. 16).

▶ 6.1.4. След запалване на искрата, дръжте натиснат бутона за газ за около 15 сек. (Сх. 18).

▶ 6.1.5. Отпуснете бутона за газ (Сх. 19). При прекъсване на електрическата енергия или при липсата на газ, уредът изключва. Повторното запалване на генератора, не става автоматично, а трябва да се извърши на ръка, като се повтори процедурата по запалване.

Когато уредът не се запалва, направете справка със съответният раздел (Раздел "13. АНОМАЛИИ ПРИ РАБОТА, ПРИЧИНИ И РЕШЕНИЯ").

• 6.2. РЕЖИМ ВЕНТИЛАТОР:

Генераторът може да се използва и като вентилатор. Свържете генератора към електрическата мрежа (Сх. 10) и доведете прекъсвача "O/I" до позиция "I" (Сх. 15).

ВАЖНО: При генератор работещ в режим отопление, преди преминаване в режим вентилатор, извършете правилна последователност на изключване при ръчните модели [Раздел "9. ИЗКЛЮЧВАНЕ ПРИ РЪЧНИ МОДЕЛИ (... / ...M / ...DV / ...M DV)"].

▶▶ 7. ЗАПАЛВАНЕ ПРИ ЕЛЕКТРОННИ МОДЕЛИ (...E / ...ET)

▶ 7.1. Доведете прекъсвача "O/I" на позиция "I" (Сх. 15).

▶ 7.2. Натиснете бутона "RESET" (Сх. 20). Генераторът започва последователност от анализи и след около 20÷30 сек искрата се запалва (вижте работна схема Сх. 21). При прекъсване на електрическата енергия или при липсата на газ, уредът изключва. Повторното запалване на генератора, не става автоматично, а трябва да се извърши на ръка, с натискане на бутона "RESET" (Сх. 20).

Когато уредът не се запалва, направете

справка със съответният раздел (Раздел "13. АНОМАЛИИ ПРИ РАБОТА, ПРИЧИНИ И РЕШЕНИЯ").

ВНИМАНИЕ: Когато генераторът спре, вследствие на намеса на термостат помещение (точката за опция), повторното запалване на уреда става автоматично, когато температурата спадне под зададената граница.

►► 8. РЕГУЛИРАНЕ НА ТОПЛИННАТА МОЩНОСТ

В зависимост от вида на генератора, може да се извърши регулиране на топлинната мощност на уреда. Топлинната мощност може да се регулира, като се действа на ръкохватката, разположена на основата на генератора (Сх. 22), или на регулатора за налягане, монтиран на газовата бутилка (Сх. 23), в зависимост от модела.

►► 9. ИЗКЛЮЧВАНЕ ПРИ РЪЧНИ МОДЕЛИ (... / ...М / ...DV / ...М DV)

► 9.1. Затворете газовата бутилка (Сх. 24).

► 9.2. Оставете вентилаторът да работи за около 60 сек, с цел избягване на вътрешни щети поради прегряване (вътрешно охлаждане на генератора).

► 9.3. Доведете прекъсвача "О/И" на позиция "О" (Сх. 25).

► 9.4. Разкачете генератора от електрическата мрежа (Сх. 26).

► 9.5. Разкачете тръбата за захранване с газ (Сх. 27-28-29).

►► 10. ИЗКЛЮЧВАНЕ ПРИ ЕЛЕКТРОННИ МОДЕЛИ (...Е / ...ЕТ)

► 10.1. Доведете прекъсвача "О/И" до позиция "О" (Сх. 25). Искрата угасва и генераторът извършва фаза на след-вентилация. Изчакайте завършването на цикъла, за избягване на вътрешни щети вследствие на прегряване (фазата е автоматична и може да продължи от 50 сек до 5 мин в зависимост от вътрешната/външната температура на генератора).

► 10.2. Затворете газовата бутилка (Сх. 24).

► 10.3. Разкачете генератора от електрическата мрежа (Сх. 26).

► 10.4. Разкачете тръбата за захранване с газ (Сх. 27-28-29).

Важно: Избягвайте да разкачвате генератора от електрическата мрежа, преди приключване на фазата след вентилацията, с цел избягване на вътрешни щети поради прегряване.

►► 11. ПОЧИСТВАНЕ И ПОДДРЪЖКА

Поне веднъж годишно или в зависимост от нуждите, извършвайте проверка за правилната работа на генератора, от страна на техническо обслужване. Преди съхраняване, след употреба, уредът трябва да се почисти.

► 11.1. Преди започване на каквато и да е вид работа по поддръжката, обслужване и ремонт на уреда, извършвайте последователността на изключване [Раздел "9. ИЗКЛЮЧВАНЕ ПРИ РЪЧНИТЕ МОДЕЛИ (... / ...М / ...DV / ...М DV)" или "10. ИЗКЛЮЧВАНЕ ПРИ РЪЧНИТЕ МОДЕЛИ (...Е / ...ЕТ)"].

► 11.2. Почистването е свързано единствено със засмукването на въздух (задна страна) на генератора.

► 11.3. Когато уредът се използва повторно, проверете дали тръбата за газ и захранващият кабел са в добро състояние; ако се съмнявате за доброто им състояние, изисквайте намеса от страна на техническо обслужване.

► 11.4. Не извършвайте неоторизирани намеси.

►► 12. СВЪРЗВАНЕ НА ТЕРМОСТАТ ПОМЕЩЕНИЕ (...Е / ...ЕТ) (опция)

Свалете тапата поставена на уреда и свържете термостата помещение (опция) (Сх. 30).

Вижте електрическата схема (...Е / ...ЕТ).

►► 13. АНОМАЛИИ ПРИ РАБОТА, ПРИЧИНИ И РЕШЕНИЯ

АНОМАЛИИ ПРИ РАБОТАМ ...DV ...М DV	...Е ...ЕТ	ПРИЧИНИ	РЕШЕНИЯ
Двигателят не запалва	X	X	Няма напрежение	1°Проверете мрежовата инсталация 2°Техническо обслужване
	X	X	Захранващият кабел е дефектен/повреден	Техническо обслужване
	X	X	Повреда в двигателя	Техническо обслужване
		X	Неправилно свързване на термостат помещение	Свържете правилно термостата помещение
Искрата не се възпламенява	X	X	Газовата бутилка е празна	Сменете газовата бутилка (Раздел 4)
	X	X	Предпазният клапан на регулатора е блокиран	1°Натиснете бутона за отблокиране газа на регулатора (Сх. 8) 2° Техническо обслужване
	X	X	Крана на газовата бутилка е затворен	Отворете крана на газовата бутилка (Сх. 7)
	X	X	Повреда във веригата по запалване	Техническо обслужване
		X	Заземяването не е ефективно	Проверете правилното заземяване на вашата инсталация
Искрата не се запазва възпламенена	X		Бутонът на газа не е натиснат за необходимото време	Натиснете бутона за газа по-дълго време (Раздел 6.1.4.)
	X	X	Дефектен Генератор	Техническо обслужване
Угасване на пламъка по време на работа	X	X	Недостатъчно подаване на газ	1°Сменете газовата бутилка (Раздел 4) 2°Техническо обслужване
	X	X	Няма газификация с горивен газ	Използвайте газови бутилки с подходящ капацитет (Раздел 4)
	X	X	Прегряване на уреда	1°Почистете засмукването на въздуха (задна страна) 2°Техническо обслужване
	X	X	Дефект в генератора	Техническо обслужване

ЗМІСТ РОЗДІЛІВ

1...	ОПИС
2...	ЗАСТЕРЕЖНІ ЗАХОДИ
3...	ТИП ПАЛЬНОГО
4...	ПРИЄДНАННЯ І ЗАМІНА ГАЗОВОГО БАЛОНА
5...	ПІДКЛЮЧЕННЯ ДО ЕЛЕКТРОМЕРЕЖІ
6...	ЗАПАЛЮВАННЯ ДЛЯ МОДЕЛЕЙ З РУЧНИМ УПРАВЛІННЯМ (... / ...М / ...DV / ...М DV)
7...	ЗАПАЛЮВАННЯ ДЛЯ МОДЕЛЕЙ З ЕЛЕКТРОННИМ УПРАВЛІННЯМ (...Е / ...ЕТ)
8...	РЕГУЛЮВАННЯ ТЕПЛОЇ ПОТУЖНОСТІ
9...	ВИМКНЕННЯ ДЛЯ МОДЕЛЕЙ З РУЧНИМ УПРАВЛІННЯМ (... / ...М / ...DV / ...М DV)
10...	ВИМКНЕННЯ ДЛЯ МОДЕЛЕЙ З ЕЛЕКТРОННИМ УПРАВЛІННЯМ (...Е / ...ЕТ)
11...	ЧИСТКА І ДОГЛЯД
12...	ПІДКЛЮЧЕННЯ ТЕРМОСТАТУ ТЕМПЕРАТУРИ ЗОВНІШНЬОГО СЕРЕДОВИЩА (...Е / ...ЕТ)
13...	НЕСПРАВНОСТІ В РОБОТІ, ПРИЧИНИ І СПОСОБИ УСУНЕННЯ

ВАЖЛИВО: УВАЖНО ОЗНАЙОМТЕСЬ З ЦІЄЮ ІНСТРУКЦІЄЮ З ЕКСПЛУАТАЦІЇ ПЕРЕД МОНТАЖЕМ, ЗАПУСКОМ І ТЕХНІЧНИМ ОБСЛУГОВУВАННЯМ ДАНОГО ГЕНЕРАТОРА. НЕПРАВИЛЬНА ЕКСПЛУАТАЦІЯ ГЕНЕРАТОРА МОЖЕ СПРИЧИНИТИ СЕРЙОЗНІ ТРАВМИ. ЗБЕРЕЖІТЬ ЦЮ ІНСТРУКЦІЮ ДЛЯ ВИКОРИСТАННЯ В МАЙБУТНЬОМУ.

►► 1. ОПИС

Даний генератор є переносним обігрівачем повітря, який працює на зрідженому газі і характеризується повним спалюванням палива завдяки теплообміну шляхом безпосереднього змішування повітря, яке всмоктується, і продуктів згоряння. Генератор обладнаний практичною ручкою для легкого транспортування і пересування. Пристрій вироблений у відповідності до Стандарту EN 1596.

uk ►► 2. ЗАСТЕРЕЖНІ ЗАХОДИ

► **⚠ВАЖЛИВО:** Не використовуйте пристрій для обігріву житлових приміщень і житлових будинків; для використання в громадських будівлях керуйтеся положеннями національного законодавства.

► **⚠ВАЖЛИВО:** Цей пристрій не пристосований для використання особами (включаючи дітей) з обмеженими фізичними і розумовими

можливостями або непідготовленими особами, за виключенням випадків, коли вони перебувають під наглядом особи, відповідальної за їхню безпеку. Діти повинні перебувати під наглядом, аби перешкодити їм гратися з пристроєм. Тримайте тварин на безпечній відстані від пристрою.

► **⚠ВАЖЛИВО:** Неправильне використання цього генератора може спричинити поранення або загрозу для життя людини, травми, опіки вибухи, враження електричним струмом або отруєння. Перші ознаки отруєння чадним газом нагадують ознаки захворювання на грип: головний біль, запаморочення і/або нудота. Ці симптоми можуть бути спричинені несправною роботою генератора. В РАЗІ ВИНИКНЕННЯ ТАКИХ СИМПТОМІВ, НЕГАЙНО ВИЙДІТЬ НА СВІЖЕ ПОВІТРЯ і зверніться до служби технічного обслуговування на предмет ремонту генератора.

▶ **⚠ ВАЖЛИВО:** Всі операції з чищення, обслуговування і ремонту, які передбачають доступ до небезпечних частин (наприклад, заміна пошкодженого шнуру живлення) повинні проводитися виробником, його службою технічного обслуговування, особою з необхідною фаховою підготовкою, аби запобігти будь-якому ризику, навіть якщо передбачене відключення від електромережі.

▶ **2.1.** Для правильного використання генератора і для зберігання пального керуйтеся всіма положеннями місцевих правил і чинного законодавства.

▶ **2.2.** Для функціонування генератор потребує належного повітрообміну. Тому він використовується на відкритому повітрі або в приміщеннях зі стабільним і постійним повітрообміном. Хороша вентиляція забезпечується в тому разі, якщо об'єм приміщення розраховується на теплову потужність з розрахунку 1 м³ на кожні 100 Вт потужності. Рекомендований об'єм приміщення в жодному разі не повинен бути меншим за 100 м³. Хороша вентиляція забезпечується наявністю вентиляційного отвору, розмір якого розраховується за формулою 25 см² на кВт, але не менше 250 см². Отвір має бути розташований приблизно на однаковій відстані від підлоги і стелі приміщення. Для монтажу діють чинні національні норми, включаючи технічні норми і правила в сфері техніки безпеки і протипожежної безпеки.

▶ **2.3.** Пристрій повинен використовуватися лише як генератор гарячого повітря (режим обігріву) або як вентилятор (режим вентилятора для моделей, в яких передбачена ця функція). Для використання суворо дотримуйтеся викладених нижче інструкцій.

▶ **2.4.** Виробник не несе жодної відповідальності за шкоду майну і/або особам, яка стала результатом неправильного використання пристрою.

▶ **2.5.** Для роботи генератора використовуйте лише чітко прописаний тип пального та струм з напругою і частотою, вказаними на табличці з технічними даними, яка міститься на генераторі.

▶ **2.6.** Переконайтесь в тому, що генератор підключено лише до електромереж, належним чином обладнаних диференціальним вимикачем і заземленням.

▶ **2.7.** Використовуйте подовжувачі лише з належним перерізом та з проводом заземлення.

▶ **2.8.3** метою запобігання пожежі генератор має працювати на горизонтальній рівній, стійкій і вогнестійкій поверхні.

▶ **2.9.** Категорично забороняється використовувати пристрій в підвальних приміщеннях або нижче рівня землі.

▶ **2.10.** Генератор не повинен використовуватися в приміщеннях, де знаходяться вибухові порошки, газові випари, газ, пальні речовини, розчинники, фарби.

▶ **2.11.** В разі використання генератора поблизу завіс, тентів або подібних їм покрівельних матеріалів, рекомендується вживати додаткові протипожежні заходи. Попіклуйтеся про дотримання належної відстані, яка в жодному разі не має бути меншою за 2,5 м між займистими матеріалами (тканина, папір, дерево тощо) або матеріалами, що руйнуються під дією тепла (включаючи шнур живлення), і гарячими частинами генератора.

▶ **2.12.** Розташуйте газовий балон в безпечній позиції позаду пристрою (Мал. 1). Генератор ніколи не повинен бути спрямований в бік газового балона (Мал. 2).

▶ **2.13.** Категорично забороняється повністю чи частково перекивати отвір забору повітря (задня частина) і/або отвір для випуску повітря (передня частина) (Мал. 3). Уникайте використання яких-небудь повітопроводів від/до генератора. Переконайтесь в тому, що не

закупорені отвори всмоктування повітря, розташовані внизу станини (для моделей, де передбачена ця функція).

► **2.14.** В разі недостатнього горіння або аномального горіння пальника генератора, зверніться до відповідного розділу (Розд. “13. *НЕСПРАВНОСТІ В РОБОТІ, ПРИЧИНИ І СПОСОБИ УСУНЕННЯ*”).

► **2.15.** Працюючий генератор забороняється переміщувати і проводити з ним будь-які маніпуляції, в тому числі операції з технічного обслуговування.

► **2.16.** За будь-яких умов експлуатації, або при стоянці пристрою слідкуйте за тим, аби гнучкий газовий шланг не був пошкоджений (сплющений, зігнутий, скручений, натягнутий).

► **2.17.** Якщо відчувається запах газу, негайно вимкніть пристрій, закрийте вентиль газового балона, від'єднайте штепсель і зв'яжіться зі службою технічної допомоги.

► **2.18.** У випадку заміни газового шлангу використовуйте тільки шланги гнучкого типу, які відповідають робочому тиску. Для консультації керуйтеся чинним національним законодавством. Довжина газового шлангу має становити 1,5 м.

► **2.19.** Коли робота пристрою контролюється термостатом температури зовнішнього середовища (факультативним), пальник генератора може запалюватися в будь-який момент, а саме, коли температура опускається нижче встановленого порогу.

uk ► **2.20.** Коли генератор не використовується, відключіть його від електромережі, перекрийте подачу газу, від'єднайте від генератора газовий шланг і закрийте отвір подачі газу на генераторі.

► **2.21.** Раз на рік і/або за потреби звертайтеся за технічною допомогою для перевірки належного функціонування генератора.

►► 3. ТИП ПАЛЬНОГО

Використовуйте лише газ категорії I₃B/P.

►► 4. ПРИЄДНАННЯ І ЗАМІНА ГАЗОВОГО БАЛОНА

Заміна газового балона повинна проводитися на відкритому повітрі, на відстані від джерел тепла або відкритого полум'я.

Для приєднання газового балона до генератора має використовуватися лише таке обладнання:

- Гнучкий шланг для зрідженого газу.
- Редуктор тиску для зрідженого газу, обладнаний запобіжним клапаном.

ПЕРЕВІРТЕ ЦІЛІСНІСТЬ ГАЗОВОГО ШЛАНГУ. В РАЗІ НЕОБХІДНОСТІ ЙОГО ЗАМІНИ ВИКОРИСТОВУЙТЕ ТІЛЬКИ ШЛАНГ ГНУЧКОГО ТИПУ, ЯКИЙ ВІДПОВІДАЄ РОБОЧОМУ ТИСКУ. ДЛЯ КОНСУЛЬТАЦІЇ КЕРУЙТЕСЯ НАЦІОНАЛЬНИМИ НОРМАМИ.

► Для приєднання генератора до газового балона:

УВАГА: ВСІ З'ЄДНАННЯ МАЮТЬ ЛІВУ НАРІЗЬ, ЗАКРУЧУВАТИ СЛІД ПРОТИ ГОДИННИКОВОЇ СТРІЛКИ.

► **4.1.** Прикрутіть газовий шланг до патрубку на генераторі (Мал. 4).

► **4.2.** Встановіть на газовий балон редуктор тиску. Переконайтесь в тому, що в редукторі є ущільнююча прокладка (якщо тип кріплення передбачає її) (Мал. 5).

► **4.3.** Приєднайте газовий шланг до редуктора тиску (Мал. 6).

► **4.4.** Відкрийте вентиль газового балону (Мал. 7).

► **4.5.** Натисніть кнопку розблокування редуктора (Мал. 8). **Перевірте герметичність з'єднань за допомогою мильної води: поява бульбашок свідчить про можливий витік газу (Мал. 9).** Для більшої автономії можна з'єднати між собою декілька газових балонів. **Рекомендується використовувати газові балони вагою 30 кг, з тепловою потужністю до 33 кВт, використовувати газові балони більшої місткості. Рекомендується використовувати газові балони однакової потужності,**

аби уникнути проблем з недостатньою газифікацією пального. Належний робочий тиск (див. табличку з технічними даними на генераторі) забезпечується редуктором, який входить до поставки, або аналогічною моделлю.

►► 5. ПІДКЛЮЧЕННЯ ДО ЕЛЕКТРОМЕРЕЖІ

ПЕРЕВІРТЕ ВАШУ ЕЛЕКТРОМЕРЕЖУ НА ПРЕДМЕТ НАЛЕЖНОГО ЗАЗЕМЛЕННЯ.

Перш ніж підключати генератор до електромережі, переконайтесь у відповідності напруги і частоти (див. табличку з технічними даними на генераторі). Підключення до електромережі (Мал. 10) здійснюється у відповідності до чинного національного законодавства.

►► 6. ЗАПАЛЮВАННЯ ДЛЯ МОДЕЛЕЙ З РУЧНИМ УПРАВЛІННЯМ (... / ...М / ...DV / ...М DV)

ВАЖЛИВО: Для моделей ...DV / ...М DV регулюйте положення перемикача зміни напруги (220-240В / 110-120В) (Мал. 11). Якщо виставлена на пристрої напруга не відповідає напрузі в електромережі, необхідно змінити положення перемикача. Відкрутіть 2 кріпильні гвинти на кришці (Мал. 12), поставте перемикач навпроти необхідної напруги (Мал. 13) і закріпіть кришку на місце (Мал. 14).

• 6.1. ЗАПАЛЮВАННЯ:

► 6.1.1. Увімкніть перемикач “O/I” в положення “I” (Мал. 15).

► 6.1.2. Натисніть до упору і утримуйте кнопку подачі газу (Мал. 16).

► 6.1.3. Неодноразово натискайте п'єзоелектричний запальник (Мал. 17), утримуючи натиснутою кнопку подачі газу (Мал. 16).

► 6.1.4. Після запалювання протягом приблизно 15 секунд утримуйте натиснутою кнопку подачі газу (Мал. 18).

► 6.1.5. Відпустіть кнопку подачі газу (Мал. 19).

В разі перебою в подачі струму або відсутності газу, пристрій автоматично вимкнеться. Генератор автоматично повторно не вмикається, увімкнути його слід вручну, провівши процедуру запалювання.

Якщо пристрій не запалюється, зверніться до відповідного розділу (Розд. “13. НЕСПРАВНОСТІ В РОБОТІ, ПРИЧИНИ І СПОСОБИ УСУНЕННЯ”).

• 6.2. РЕЖИМ ВЕНТИЛЯЦІЇ:

Генератор може використовуватися також як вентилятор. Підключіть генератор до електромережі (Мал. 10) і увімкніть перемикач “O/I” в положення “I” (Мал. 15).

Прим.: Перед перемиканням вентилятора, який працює в режимі обігріву, в режим вентиляції, проведіть процедуру правильного вимкнення для моделей з ручним управлінням [Розд. “9. ВИМКНЕННЯ ДЛЯ МОДЕЛЕЙ З РУЧНИМ УПРАВЛІННЯМ (... / ...М / ...DV / ...М DV)"]].

►► 7. ЗАПАЛЮВАННЯ ДЛЯ МОДЕЛЕЙ З ЕЛЕКТРОННИМ УПРАВЛІННЯМ (...Е / ...ЕТ)

► 7.1. Увімкніть перемикач “O/I” в положення “I” (Мал. 15).

► 7.2. Натисніть кнопку “RESET” (Мал. 20). Генератор починає режим аналізу і приблизно через 20-30 секунд запалюється полум'я (див. схему роботи Мал. 21).

В разі перебою в подачі струму або відсутності газу, пристрій автоматично вимкнеться. Генератор автоматично повторно не вмикається, увімкнути його слід вручну, натиснувши кнопку “RESET” (Мал. 20).

Якщо пристрій не запалюється, зверніться до відповідного розділу (Розд. “13. НЕСПРАВНОСТІ В РОБОТІ, ПРИЧИНИ І СПОСОБИ УСУНЕННЯ”).

УВАГА: Якщо генератор вимикається термостатом температури зовнішнього середовища (факультативним), повторне запалювання відбувається автоматично, коли температура опуститься нижче встановленого порогу.

►► 8. РЕГУЛЮВАННЯ ТЕПЛОВОЇ ПОТУЖНОСТІ

В залежності від типології генератора, можна регулювати теплову потужність пристрою. Теплову потужність можна регулювати, залежно від моделі, за допомогою ручки, розташованої в основі генератора (Мал. 22), або за допомогою редуктора тиску, розташованого на газовому балоні (Мал. 23).

►► 9. ВИМКНЕННЯ ДЛЯ МОДЕЛЕЙ З РУЧНИМ УПРАВЛІННЯМ (... / ...M / ...DV / ...M DV)

► 9.1. Закрийте вентиль газового балона (Мал. 24).

► 9.2. Залиште вентилятор в робочому стані приблизно на 60 секунд, аби уникнути внутрішніх пошкоджень через перегрів (внутрішнє охолодження генератора).

► 9.3. Увімкніть перемикач "O/I" в положення "O" (Мал. 25).

► 9.4. Відключіть генератор від електромережі (Мал. 26).

► 9.5. Відключіть генератор від шлангу подачі газу (Мал. 27-28-29).

►► 10. ВИМКНЕННЯ ДЛЯ МОДЕЛЕЙ З ЕЛЕКТРОННИМ УПРАВЛІННЯМ (...E / ...ET)

► 10.1. Увімкніть перемикач "O/I" в положення "O" (Мал. 25). Полум'я гасне, а генератор проходить цикл внутрішньої вентиляції й охолодження. Дочекайтесь завершення циклу, аби уникнути внутрішніх пошкоджень через перегрів (цикл автоматичний і може тривати від 50 секунд до 5 хвилин, залежно від внутрішньої/зовнішньої температури генератора).

► 10.2. Закрийте вентиль газового балона (Мал. 24).

► 10.3. Відключіть генератор від електромережі (Мал. 26).

► 10.4. Відключіть генератор від шлангу подачі газу (Мал. 27-28-29).

Прим.: Не відключайте генератор від електромережі до завершення циклу внутрішньої вентиляції й охолодження, аби уникнути внутрішніх пошкоджень через перегрів.

►► 11. ЧИСТКА І ДОГЛЯД

Щонайменше раз на рік і/або за потреби звертайтеся до служби технічного обслуговування на предмет перевірки належної роботи генератора. Перш ніж покласти генератор на зберігання після використання, його необхідно почистити.

► 11.1. Перед початком будь-яких профілактичних або ремонтних робіт пристрій необхідно вимкнути [Розд. "9. ВИМКНЕННЯ ДЛЯ МОДЕЛЕЙ З РУЧНИМ УПРАВЛІННЯМ (... / ...M / ...DV / ...M DV)" або "10. ВИМКНЕННЯ ДЛЯ МОДЕЛЕЙ З ЕЛЕКТРОННИМ УПРАВЛІННЯМ (...E / ...ET)"].

► 11.2. Чищення стосується лише отвору забору повітря (задня частина) генератора.

► 11.3. Перед повторним використанням пристрою перевірте цілісність газового шлангу і шнуру живлення; в разі виникнення сумнівів щодо їхньої цілісності, зверніться до технічного спеціаліста.

► 11.4. Не здійснюйте незгодовані операції.

►► 12. ПІДКЛЮЧЕННЯ ТЕРМОСТАТУ TEMPERATURI ЗОВНІШНЬОГО СЕРЕДОВИЩА (...E / ...ET) (факультативного)

Зніміть заглушку на пристрої і підключіть термостат температури зовнішнього середовища (факультативний) (Мал. 30). Див. електричну схему (...E / ...ET).

►► 13. НЕСПРАВНОСТІ В РОБОТІ, ПРИЧИНИ І СПОСОБИ УСУНЕННЯ

НЕСПРАВНОСТІ ВM ...DV ...M DV	...E ...ET	ПРИЧИНИ	СПОСОБИ УСУНЕННЯ
Двигун не запускається	X	X	Відсутність напруги	1°Перевірте електромережу 2°Потрібна технічна допомога
	X	X	Шнур живлення несправний/пошкоджений	Потрібна технічна допомога
	X	X	Несправний двигун	Потрібна технічна допомога
		X	Неправильне підключення термостату температури зовнішнього середовища	Правильно підключіть термостат температури зовнішнього середовища
Немає запалювання	X	X	Порожній газовий балон	Замініть газовий балон (Розд. 4)
	X	X	Запобіжний клапан редуктора заблокований	1°Натисніть кнопку розблокування редуктора (Мал. 8) 2°Потрібна технічна допомога
	X	X	Закритий вентиль газового балона	Відкрийте вентиль газового балона (Мал. 7)
	X	X	Несправний запалювальний контур	Потрібна технічна допомога
		X	Неефективне заземлення	Перевірте правильність заземлення вашого обладнання
Полум'я пропадає під час запалювання	X		Кнопка подачі газу натиснута недостатньо довго	Довше тримайте натиснутою кнопку подачі газу (Розд. 6.1.4.)
	X	X	Несправний генератор	Потрібна технічна допомога
Полум'я гасне під час роботи	X	X	Недостатня подача газу	1°Замініть газовий балон (Розд. 4) 2°Потрібна технічна допомога
	X	X	Недостатня газифікація пального	Використовуйте газові балони належної ємності (Розд. 4)
	X	X	Перегрів пристрою	1°Почистіть отвір забору повітря (задня частина) 2°Потрібна технічна допомога
	X	X	Несправний генератор	Потрібна технічна допомога

REZIME PARAGRAFA

1...	<i>OPIS</i>
2...	<i>UPOZORENJA</i>
3...	<i>VRSTA GORIVA</i>
4...	<i>POVEZIVANJE I ZAMJENA PLINSKE BOCE</i>
5...	<i>POVEZIVANJE NA ELEKTRIČNU MREŽU</i>
6...	<i>UKLJUČIVANJE KADA SE RADI O RUČNIM MODELIMA (... / ...M / ...DV / ...M DV)</i>
7...	<i>UKLJUČIVANJE KADA SE RADI O ELEKTRONSKIM MODELIMA (...E / ...ET)</i>
8...	<i>REGULACIJA SNAGE TOPLINE</i>
9...	<i>ISKLJUČIVANJE KADA SE RADI O RUČNIM MODELIMA (... / ...M / ...DV / ...M DV)</i>
10...	<i>ISKLJUČIVANJE KADA SE RADI O ELEKTRONSKIM MODELIMA (...E / ...ET)</i>
11...	<i>ČIŠĆENJE I ODRŽAVANJE</i>
12...	<i>POVEZIVANJE AMBIJENTALNOG TERMOSTATA (...E / ...ET)</i>
13...	<i>ANOMALIJE U RADU, UZROCI I RJEŠENJA</i>

VAŽNO: VAŽNO JE PROČITATI I RAZUMJETI OVAJ PRIRUČNIK PRIJE NEGO ŠTO POČNETE SA SATAVLJANJEM, PUŠTANJEM U RAD ILI ODRŽAVANJEM OVOG GENERATORA . POGREŠNO KORIŠTENJE GENERATORA MOŽE DOVESTI DO OZBILJNIH OZLJEDA. ČUVAJTE OVAJ PRIRUČNIK DA BISTE GA U BUDUĆNOSTI MOGLI KONSULTIRATI.

►► 1. OPIS

Ovaj generator je prenosivi grijač zraka/vazduha koji radi na tekući plin/tečni gas a njegova je karakteristika da iskorištava u potpunosti gorivo izmjenom topline radi direktnog miješanja usisavanog zraka/vazduha i proizvoda sagorijevanja. Opremljen je ručkom radi što lakšeg transporta i pokretanja. Aparat je proizveden u skladu sa propisom EN 1596.

►► 2. UPOZORENJA

► **⚠VAŽNO:** Nikada ne koristite za zagrijavanje u stambenim objektima; u javnim zgradama, konzultirajte nacionalne pravilnike.

► **⚠VAŽNO:** Ovaj aparat ne smiju koristiti osobe (uključujući i djecu) koje imaju smanjene fizičke, senzorne i mentalne sposobnosti ili one koje nemaju iskustva osim u slučajevima

u kojim ih nadgleda osoba odgovorna za njihovu bezbjednost. Nadgledajte djecu da se ne bi igrala sa aparatom. Držite životinje na sigurnosnom odstojanju u odnosu na aparat.

► **⚠VAŽNO:** Nepravilno korištenje ovog aparata može dovesti do ozljeda ili smrtne opasnosti po ljude, opekotina, eksplozija, strujnog udara ili trovanja. Prvi simptomi gušenja/davljenja koji su posljedica ugljičnog/ugljik monoksida (s)liča na one gripe sa bolovima u glavi, vrtoglavicom i/ili mučninom. Te simptome može uzrokovati defektan rad generatora. U SLUČAJU DA PRIMIJETITE TE SIMPTOME, ODMAH IZADITE NA OTVORENI PROSTOR a neka generator popravi tehnički servis.

► **⚠VAŽNO:** Sve operacije čišćenja, održavanja i popravljnja koje predviđaju pristup opasnim dijelovima

(kao što je zamjena oštećenog kabla za napajanje) mora obaviti proizvođač, njegov tehnički servis, lice koje ima sličnu kvalifikaciju, na način da se spriječi nastajanje bilo kojeg rizika, iako je predviđeno iskapčanje sa mreže napajanja.

► **2.1.** U vezi sa pravilnim korištenjem generatora i radi očuvanja goriva, pridržavajte se svih lokalnih odredbi i propisa na snazi.

► **2.2.** Generator da bi mogao pravilno raditi ima potrebu na prikladnom zamjenom zraka/vazduha). Zato se on mora koristiti na otvorenom prostoru ili u prostorijama u kojima je osigurana razmjena zraka/vazduha i to bez prekida. Dobro provjetranje je osigurano kada se zapremnina prostorije računa u odnosu na snagu topline sa formulom 1 m^3 svako 100 W snage. U nijednom slučaju zapremnina prostorije ne smije biti manja od 100 m^3 . Dobro provjetranje se garantira otvorom koji zadovoljava formulu od 25 cm^2 po kW snage topline, sa minimumom od 250 cm^2 a koji je ravnomjerno raspoređen u gornjem i donjem dijelu prostorije. Što se tiče instalacije, važe nacionalni propisi na snazi, uključujući i tehničke odredbe kao i one koje se tiču sprečavanja nesreća i požara.

► **2.3.** Aparat se mora koristiti isključivo kao generator toplog zraka/vazduha (način grijanje), ili ventilator (način ventilacija, kada se radi o modelima koji predviđaju ovu funkciju). U vezi sa korištenjem strogo se pridržavajte ovih uputstava.

► **2.4.** Proizvođač otklanja sa sebe bilo koju odgovornost za štetu nanesenu predmetima/ljudima a koji su posljedica neprikladnog korištenja aparata.

► **2.5.** Napajajte generator isključivo vrstom goriva koja se jasno navodi i

strujom koja ima napon i frekvenciju navedene na indikacionoj pločici sa podacima postavljenoj na generatoru.

► **2.6.** Uvjerite se da ćete povezati generator samo na električnu mrežu koja je opremljena diferencijalnim prekidačem i prikladnim uzemljenjem.

► **2.7.** Koristite isključivo produžetke prikladnog presjeka/prečnika i sa žicom za uzemljenje.

► **2.8.** Generator mora raditi na ravnoj površini koja je stabilna i otporna na vatru na način da se spriječi stvaranje požara.

► **2.9.** Strogo se zabranjuje koristiti generator u podrumima ili svim prostorijama koje su ispod nivoa tla.

► **2.10.** Generator se ne smije koristiti u prostorijama u kojima ima eksplozivne prašine, dima, plina/gasa, goriva, rastvarača/razrijeđivača, boja.

► **2.11.** Kada se generator koristi u blizini cerada, šatora ili sličnih materijala za pokrivanje, savjetujemo Vam da koristite dodatnu zaštitu od požara. Održavajte prikladno rastojanje koje ni u kojem slučaju ne smije biti manje od $2,5 \text{ m}$ u odnosu na zapaljive materijale (tkanine, papir, drvo itd) ili one koji su nestabilni u odnosu na toplinu (uključujući i kabl za napajanje), od vrućih dijelova generatora

► **2.12.** Postavite plinsku bocu u zaštićeni položaj, iza aparata (Sl. 1). Generator se nikada ne smije usmjeravati u pravcu plinske boce (Sl. 2).

► **2.13.** Iz bilo kojeg motiva se ne smije zatvarati djelomično ili u potpunosti otvor za ulaz zraka/vazduha (stražnja/zadnja strana) i otvor za izlaz zraka/vazduha (prednja strana) (Sl. 3). Izbjegavajte korištenje cijevi za zrak/vazduh koje vode u generator ili izlaze iz njega. Uvjerite se da se neće začepiti otvori za usis zraka/vazduha koji postoje na dnu baze aparata (kada se radi o modelima sa ovakvim rješenjem).

► **2.14.** U slučaju neuključivanja ili anomalnog uključivanja, konsultirajte prikladni odjeljak (Parag. "13. ANOMALIJE U RADU, UZROCI I RJEŠENJA").

► **2.15.** Generator, dok radi, se nikada ne smije pomicati/pomjerati, njime se ne smije rukovati ili obavljati intervencije održavanja.

► **2.16.** U bilo kojem načinu korištenja ili stajanja aparata, pripazite da se fleksibilna cijev ne ošteti (nagnječi, savije, zategne).

► **2.17.** Ako osjetite miris plina/gasa, odmah isključite aparat, zatvorite plinsku bocu, iskopčajte utikač iz utičnice i kontaktirajte tehnički servis.

► **2.18.** U slučaju zamjene cijevi za plin/gas, koristite isključivo fleksibilne cijevi koje su prikladne za pritisak korištenja i pripazite na nacionalne propise. Cijev za plin/gas mora imati dužinu od 1,5 m.

► **2.19.** Kada aparat kontrolira/kontroliše termostat prostora (dodatna oprema), generator se može ponovo uključiti u bilo kojem trenutku i to kada se temperatura spusti ispod postavljenih granica.

► **2.20.** Kada ga ne koristite, iskopčajte generator iz strujne utičnice, zatvorite napajanje plinom/gasom, iskopčajte cijev plina/gasa iz generatora i začepite ulaz plina/gasa u generator.

► **2.21.** Neka tehnički servis provjeri barem jedan put godišnje i/ili po potrebi, pravilan rad generatora.

► ► 3. VRSTA GORIVA

bs Koristite isključivo plin/gas kategorije I₃B/P.

► ► 4. POVEZIVANJE I ZAMJENA PLINSKE BOCE

Plinska boca se mora zamjenjivati na otvorenom prostoru, daleko od izvora topline i to u atmosferi bez plamena.

Što se tiče povezivanja plinske boce na generator, koristite isključivo slijedeću opremu:

- Fleksibilna cijev za tekući plin/tečni gas.
- Regulator pritiska tekućeg plina/tečnog gasa zajedno sa sigurnosnim ventilom.

UVJERITE SE U CJELOVITOST CIJEVI NAPAJANJA. U SLUČAJU DASE MORA ZAMIJENITI, KORISTITE ISKLJUČIVO FLEKSIBILNU CIJEV, PRIKLADNU ZA PRITISAK KORIŠTENJA I POŠTUJUĆI NACIONALNE PROPISE O TOME.

► Da biste povezali generator na plinsku bocu:

PAŽNJA: SVI SU NAVOJI SU NA LIJEVU STRANU, ZNAČI MORAJU SE STEZATI U SMJERU SUPROTNOM OD SMJERA KAZALJKI NA SATU.

► **4.1.** Stegnite cijev za plin/gas sa spojkom na generatoru (Sl. 4).

► **4.2.** Instalirajte regulator pritiska na plinsku bocu. Uvjerite se da se na regulatoru nalazi brtva/zaptivač (ako tako nešto predviđa vrsta spojke) (Sl. 5).

► **4.3.** Povežite cijev za plin/gas sa regulatorom pritiska (Sl. 6).

► **4.4.** Otvorite slavinu plinske boce (Sl. 7).

► **4.5.** Pritisnite dugme za deblokadu regulatora (Sl. 8). **Uvjerite se u nepropusnost koristeći sapunicu: ako se pojave mjehurići znači da dolazi do propuštanja plina/gasa (Sl. 9).** Moguće je spojiti međusobno više plinskih boca na način da imate što veću autonomiju rada. **Savjetujemo korištenje plinskih boca od 30 kg, sa toplinskom snagom od 33 kW, iznad snage od 33 kW koristite plinske boce većeg kapaciteta. Preporučujemo plinske boce prikladnog kapaciteta na način da se izbjegnu problemi u vezi sa plinifikacijom/gasifikacijom goriva.**

Pravilan radni pritisak (pogledajte pločicu s podacima postavljenu na generatoru) omogućuje regulator kojim ste opremljeni ili ekvivalentan model.

▶▶ 5. POVEZIVANJE NA ELEKTRIČNU MREŽU

UVJERITE SE U PRAVILNO UZEMLJENJE VAŠEG ELEKTRIČNOG UREĐAJA.

Prije nego što povežete generator na električnu mrežu, uvjerite se da su napon i frekvencija pravilni (pogledajte pločicu s podacima postavljenu na generatoru). Povezivanje na električnu mrežu (Sl. 10) se mora obaviti u skladu s nacionalnim propisima na snazi.

▶▶ 6. UKLJUČIVANJE KADA SE RADI O RUČNIM MODELIMA (... / ...M / ...DV / ...M DV)

VAŽNO: Kada se radi o modelima ...DV / ...M DV, provjerite da li prekidač mijenja napon (220-240V / 110-120V) (Sl. 11). Ako napon aparata ne odgovara onima mreže, potrebno je obaviti prilagođavanje napona. Odvijte 2 vijka za pričvršćivanje poklopca (Sl. 12), stavite prekidač na vrijednosti snabdijevanog napona (Sl. 13) i ponovo montirajte poklopac (Sl. 14).

• 6.1. NAČIN RADA GRIJANJE:

▶ 6.1.1. Stavite prekidač "O/I" u položaj "I" (Sl. 15).

▶ 6.1.2. Pritisnite do kraja dugme za plin/gas i držite ga pritisnutim (Sl. 16).

▶ 6.1.3. Pritisnite temeljito i često piezoelektrični upaljač (Sl. 17), a držite pritisnutim dugme za plin/gas (Sl. 16).

▶ 6.1.4. Nakon pojave plamena, držite pritisnutim dugme za plin/gas u trajanju od otprilike 15 s (Sl. 18).

▶ 6.1.5. Otpustite dugme za plin/gas (Sl. 19).

U slučaju da dođe do prekida napajanja električnom energijom, aparat će se isključiti. Ponovno uključivanje generatora nije automatsko nego se mora obaviti ručno na način da se ponovi procedura uključivanja.

Ako se aparat ne uključi, konsultirajte prikladno poglavlje (Parag. "13. ANOMALIJE U RADU, UZROCI I RJEŠENJA").

• 6.2. NAČIN RADA VENTILACIJA:

Generator se može koristiti i kao ventilator. Povežite generator na električnu mrežu (Sl. 10) i stavite prekidač "O/I" u položaj "I" (Sl. 15).

Napomena: Kada generator radi u načinu rada grijanje, prije nego što prijedete na način rada ventilaciju, obavite pravilno sekvencu isključivanja za ručne modele [Parag. "9. ISKLJUČIVANJE KADA SE RADI O RUČNIM MODELIMA (... / ...M / ...DV / ...M DV)"].

▶▶ 7. UKLJUČIVANJE KADA SE RADI O ELEKTRONSKIM MODELIMA (... E)

▶ 7.1. Stavite prekidač "O/I" u položaj "I" (Sl. 15).

▶ 7.2. Pritisnite dugme za "RESET" (Sl. 20).

Generator počinje sa sekvencom analize i poslije otprilike 20÷30 s pojavljuje se plamen (vidi šemu rada na Sl. 21).

U slučaju da dođe do prekida napajanja električnom energijom ili da nema plina/gasa, aparat će se isključiti. Ponovno uključivanje generatora nije automatsko nego se mora obaviti ručno pritiskom na dugme "RESET" (Sl. 20).

Ako se aparat ne uključi, konsultirajte prikladno poglavlje (Parag. "13. ANOMALIJE U RADU, UZROCI I RJEŠENJA").

PAŽNJA: U slučaju da se generator zaustavi zbog intervencije ambijentalnog termostata (radi se o dodatnom proizvodu), automatski će doći do ponovnog uključivanja aparata, kada se temperatura spusti ispod postavljenih granica.

▶▶ 8. REGULACIJA SNAGE TOPLINE

Zavisno od tipa generatora, moguće je podesiti toplinsku snagu aparata. Toplinska snaga se može podesiti na način da radite na ručki koja je na bazi generatora (Sl. 22), ili na regulatoru pritiska instaliranom na plinskoj boci (Sl. 23), zavisno od modela.

▶▶ 9. ISKLJUČIVANJE KADA SE RADI O RUČNIM MODELIMA (... / ...M / ...DV / ...M DV)

▶ 9.1. Zatvorite plinsku bocu (Sl. 24).

▶ 9.2. Neka ventilator ostane da radi u trajanju od otprilike 60 s, na način da ne dođe do unutrašnjih oštećenja koja su posljedica prezagrijavanja (unutrašnje hlađenje generatora).

▶ 9.3. Stavite prekidač "O/I" u položaj "O" (Sl. 25).

▶ 9.4. Iskopčajte generator sa električne mreže (Sl. 26).

▶ 9.5. Iskopčajte generator sa cijevi za napajanje plinom/gasom (Sl. 27-28-29).

▶▶ 10. ISKLJUČIVANJE KADA SE RADI O ELEKTRONSKIM MODELIMA (...E / ...ET)

▶ 10.1. Stavite prekidač "O/I" u položaj "O" (Sl. 25). Plamen se gasi a generator obavlja fazu post-ventilacije. Sačekajte da ciklus završi na način da ne dođe do unutrašnjih oštećenja zbog

prezagrijavanja (ta je faza automatska i može trajati od 50 s±5 min zavisno od vanjske/unutrašnje temperature u odnosu na generator).

▶ 10.2. Zatvorite plinsku bocu (Sl. 24).

▶ 10.3. Iskopčajte generator sa električne mreže (Sl. 26).

▶ 10.4. Iskopčajte generator sa cijevi za napajanje plinom/gasom (Sl. 27-28-29).

Napomena: Nemojte iskopčavati generator sa električne mreže, prije kraja faze post ventilacije, na način da ne dođe do unutrašnjih oštećenja zbog prezagrijavanja.

▶▶ 11. ČIŠĆENJE I ODRŽAVANJE

Neka tehnički servis provjeri barem jedan put godišnje i/ili po potrebi, pravilan rad generatora. Prije nego što ga odložite nakon upotrebe, aparat se mora očistiti.

▶ 11.1. Prije nego što počnete sa bilo kojom vrstom održavanja ili popravki na aparatu, obavite sekvencu isključivanja [Parag. "9. ISKLJUČIVANJE RUČNIH MODELA (... / ...M / ...DV / ...M DV)" o "10. ISKLJUČIVANJE ELEKTRONSKIH MODELA (...E / ...ET)"].

▶ 11.2. Čišćenje se odnosi na samo čišćenje otvora za zrak/vazduh (stražnja strana) generatora.

▶ 11.3. Kada se aparat bude ponovo koristio, uvjerite se u cjelovitost cijevi za plin/gas i kabla za napajanje; ako postoje neke sumnje u vezi sa njihovom cjelovitosti, zatražite intervenciju tehničkog servisa.

▶ 11.4. Ne obavljajte neovlaštene intervencije.

▶▶ 12. POVEZIVANJE AMBIJENTALNOG TERMOSTATA (...E / ...ET) (dodatna oprema)

Skinite čep povezan na aparat i povežite ambijentalni termostad (dodatna oprema) (Sl. 30).

Pogledajte električnu šemu (...E / ...ET).

►► 13. ANOMALIJE U RADU, UZROCI I RJEŠENJA

ANOMALIJE U RADUM ...DV ...M DV	...E ...ET	UZROCI	RJEŠENJA
Motor se ne uključuje	X	X	Nema napona	1°Provjerite uređaj mreže 2°Tehnički servis
	X	X	Kabl za napajanje defektan/oštećen	Tehnički servis
	X	X	Motor je u kvaru	Tehnički servis
		X	Pogrešno povezivanje ambijentalnog termostata	Pravilno povežite ambijentalni termostat
Nema plamena	X	X	Plinska boca je potrošena	Zamijenite plinsku bocu (Parag. 4)
	X	X	Sigurnosni ventil regulatora blokiran	1°Pritisnite dugme za deblokadu plina regulatora (Sl. 8) 2°Tehnički servis
	X	X	Slavina plinske boce zatvorena	Otvorite slavinu plinske boce (Sl. 7)
	X	X	Krug za uključivanje defektan	Tehnički servis
		X	Uzemljenje nije efikasno	Provjerite pravilno uzemljenje Vašeg uređaja
Plamen se gasi	X		Dugme za plin/gas pritisnuto prekratko	Pritisnite dugme za plin/gas duže (Parag. 6.1.4.)
	X	X	Generator je defektan	Tehnički servis
Gašenje plamena tokom rada	X	X	Nedovoljno napajanje plinom/gasom	1°Zamijenite plinsku bocu (Parag. 4) 2°Tehnički servis
	X	X	Nema plinifikacije/gasifikacije goriva	Koristite plinske boce prikladnog kapaciteta (Parag. 4)
	X	X	Prezagrijavanje aparata	1°Očistite otvor za zrak/plin (stražnja strana) 2°Tehnički servis
	X	X	Generator je defektan	Tehnički servis

ΠΕΡΙΕΧΟΜΕΝΑ ΠΑΡΑΓΡΑΦΩΝ

1...	ΠΕΡΙΓΡΑΦΗ
2...	ΠΡΟΕΙΔΟΠΟΙΗΣΕΙΣ
3...	ΤΥΠΟΣ ΚΑΥΣΙΜΟΥ
4...	ΣΥΝΔΕΣΗ ΚΑΙ ΑΝΤΙΚΑΤΑΣΤΑΣΗ ΤΗΣ ΦΙΑΛΗΣ ΑΕΡΙΟΥ
5...	ΣΥΝΔΕΣΗ ΣΤΟ ΗΛΕΚΤΡΙΚΟ ΔΙΚΤΥΟ
6...	ΕΝΑΥΣΗ ΓΙΑ ΤΑ ΧΕΙΡΟΚΙΝΗΤΑ ΜΟΝΤΕΛΑ (... / ...M / ...DV / ...M DV)
7...	ΕΝΑΥΣΗ ΓΙΑ ΤΑ ΗΛΕΚΤΡΟΝΙΚΑ ΜΟΝΤΕΛΑ (...E / ...ET)
8...	ΡΥΘΜΙΣΗ ΘΕΡΜΙΚΗΣ ΙΣΧΥΟΣ
9...	ΣΒΗΣΙΜΟ ΓΙΑ ΤΑ ΧΕΙΡΟΚΙΝΗΤΑ ΜΟΝΤΕΛΑ (... / ...M / ...DV / ...M DV)
10...	ΣΒΗΣΙΜΟ ΓΙΑ ΤΑ ΗΛΕΚΤΡΟΝΙΚΑ ΜΟΝΤΕΛΑ (...E / ...ET)
11...	ΚΑΘΑΡΙΣΜΟΣ ΚΑΙ ΣΥΝΤΗΡΗΣΗ
12...	ΣΥΝΔΕΣΗ ΤΟΥ ΘΕΡΜΟΣΤΑΤΗ ΠΕΡΙΒΑΛΛΟΝΤΟΣ (...E / ...ET)
13...	ΑΝΩΜΑΛΙΕΣ ΛΕΙΤΟΥΡΓΙΕΣ, ΑΙΤΙΕΣ ΚΑΙ ΕΠΙΣΚΕΥΕΣ

ΣΗΜΑΝΤΙΚΟ: ΔΙΑΒΑΣΤΕ ΚΑΙ ΚΑΤΑΝΟΗΣΤΕ ΑΥΤΟ ΤΟ ΛΕΙΤΟΥΡΓΙΚΟ ΕΓΧΕΙΡΙΔΙΟ ΠΡΙΝ ΝΑ ΠΡΟΧΩΡΗΣΕΤΕ ΣΤΗ ΣΥΝΑΡΜΟΛΟΓΗΣΗ, ΤΗ ΛΕΙΤΟΥΡΓΙΑ Ή ΤΗ ΣΥΝΤΗΡΗΣΗ ΤΗΣ ΓΕΝΝΗΤΡΙΑΣ ΑΥΤΗΣ. Η ΕΣΦΑΛΜΕΝΗ ΧΡΗΣΗ ΤΗΣ ΓΕΝΝΗΤΡΙΑΣ ΜΠΟΡΕΙ ΝΑ ΠΡΟΚΑΛΕΣΕΙ ΣΟΒΑΡΟΥΣ ΤΡΑΥΜΑΤΙΣΜΟΥΣ. ΦΥΛΑΞΤΕ ΤΟ ΕΓΧΕΙΡΙΔΙΟ ΑΥΤΟ ΣΕ ΠΕΡΙΠΤΩΣΗ ΜΕΛΛΟΝΤΙΚΗΣ ΑΝΑΦΟΡΑΣ.

►► 1. ΠΕΡΙΓΡΑΦΗ

Η γεννήτρια αυτή είναι μια φορητή θερμάστρα αέρα που λειτουργεί με φυσικό αέριο, το οποίο χαρακτηρίζεται από τη συνολική αξιοποίηση των καυσίμων, μέσω θερμικής ανταλλαγής με άμεση ανάμειξη του αέρα αναρρόφησης και των προϊόντων καύσης. Είναι εξοπλισμένο με μια πρακτική χειρολαβή για να διευκολύνεται η μεταφορά και η μετακίνηση. Η συσκευή έχει κατασκευαστεί σύμφωνα με το Πρότυπο EN 1596.

►► 2. ΠΡΟΕΙΔΟΠΟΙΗΣΕΙΣ

⚠ ΣΗΜΑΝΤΙΚΟ: Μη χρησιμοποιείτε για τη θέρμανση σε χώρους κατοικήσιμων κτιρίων. Για τη χρήση σε δημόσια κτίρια, ανατρέξτε στους εθνικούς κανονισμούς.

⚠ ΣΗΜΑΝΤΙΚΟ: Η συσκευή αυτή δεν είναι δεν θα πρέπει να χρησιμοποιείται από άτομα (συμπεριλαμβανομένων παιδιών) με μειωμένες σωματικές, αισθητηριακές και διανοητικές ικανότητες

ή άπειρα, εκτός εάν επιτηρούνται από ένα υπεύθυνο άτομο για την ασφάλειά τους. Τα παιδιά θα πρέπει να ελέγχονται, έτσι ώστε να εξασφαλίζεται ότι δεν παίζουν με τη συσκευή. Κρατείτε τα ζώα σε απόσταση ασφαλείας από τη συσκευή.

⚠ ΣΗΜΑΝΤΙΚΟ: Η ακατάλληλη χρήση αυτής της γεννήτριας μπορεί να προκαλέσει ζημιές ή κίνδυνο θανάτου σε πρόσωπα, τραυματισμούς, εγκαύματα, εκρήξεις, ηλεκτροπληξία ή δηλητηρίαση. Τα πρώτα συμπτώματα της ασφυξίας από το μονοξείδιο του άνθρακα μοιάζουν με αυτά της γρίπης, με πονοκεφάλους, ζάλη ή/και ναυτία. Τέτοιου είδους συμπτώματα μπορεί να προκληθούν από τη δυσλειτουργία της γεννήτριας. ΣΕ ΠΕΡΙΠΤΩΣΗ ΠΟΥ ΠΑΡΟΥΣΙΑΣΤΟΥΝ ΤΑ ΣΥΜΠΤΩΜΑΤΑ ΑΥΤΑ, ΒΓΕΙΤΕ ΑΜΕΣΩΣ ΕΞΩ και αναθέστε την επισκευή της γεννήτριας στην υπηρεσία τεχνικής υποστήριξης.

▶ **⚠ΣΗΜΑΝΤΙΚΟ:** Όλες οι εργασίες καθαρισμού, συντήρησης και επισκευής που προβλέπουν την πρόσβαση σε επικίνδυνα μέρη (όπως η αντικατάσταση του τροφοδοτικού καλωδίου που έχει φθαρεί) θα πρέπει να εκτελούνται από τον κατασκευαστή, από την υπηρεσία τεχνικής υποστήριξης του ιδίου, από ένα εξειδικευμένο άτομο, προκειμένου να αποφεύγεται κάθε κίνδυνος, ακόμη και αν προβλέπεται η αποσύνδεση από το τροφοδοτικό καλώδιο.

▶ **2.1.** Για μια σωστή χρήση της γεννήτριας και για τη διατήρηση των καυσίμων, τηρείτε όλους τους τοπικούς κανονισμούς και την ισχύουσα νομοθεσία.

▶ **2.2.** Η γεννήτρια απαιτεί για τη λειτουργία μια κατάλληλη ανταλλαγή αέρα. Γι' αυτό θα πρέπει να χρησιμοποιείται σε εξωτερικούς χώρους ή σε δωμάτια με εξασφαλισμένη και συνεχή ανταλλαγή του αέρα. Ένας καλός αερισμός εξασφαλίζεται εάν ο όγκος του δωματίου υπολογίζεται με βάση τη θερμική ενέργεια, με τον τύπο του 1 m^3 κάθε 100 W της ισχύος. Σε καμιά περίπτωση ο όγκος του δωματίου που συνίσταται δεν θα πρέπει να είναι μικρότερος των 100 m^3 . Ένας καλός εξαερισμός εξασφαλίζεται με ένα άνοιγμα που πληρεί τον τύπο των 250 cm^2 ανά kW θερμικής ενέργειας, με τουλάχιστον 250 cm^2 , που κατανέμεται εξίσου μεταξύ του πάνω και κάτω μέρους του δωματίου. Για την εγκατάσταση, ισχύουν οι εθνικοί κανόνες, συμπεριλαμβανομένων των τεχνικών προτύπων και των διατάξεων για την πρόληψη των ατυχημάτων και των πυρκαγιών.

▶ **2.3.** Η συσκευή θα πρέπει να χρησιμοποιείται απλά και μόνο ως γεννήτρια θερμού αέρα (λειτουργία θέρμανσης), ή ανεμιστήρας (λειτουργία εξαερισμού, για τα μοντέλα που προβλέπουν τη λειτουργία αυτή). Για τη χρήση ακολουθείτε σχολαστικά τις παρακάτω οδηγίες.

▶ **2.4.** Ο κατασκευαστής αποποιείται οποιασδήποτε ευθύνης για ζημιές σε πράγματα ή/και πρόσωπα που προέρχονται από την ακατάλληλη χρήση της συσκευής.

▶ **2.5.** Τροφοδοτήστε τη γεννήτρια μόνο με τον τύπο του καυσίμου που ενδείκνυται και με ρεύμα που έχει τάση και συχνότητα όπως αναφέρεται στα δεδομένα της πινακίδας επί της γεννήτριας.

▶ **2.6.** Βεβαιωθείτε ότι έχετε συνδέσει τη γεννήτρια μόνο σε ηλεκτρικό δίκτυο που είναι σωστά εξοπλισμένο με διαφορικό διακόπτη και με την κατάλληλη γείωση.

▶ **2.7.** Χρησιμοποιείτε επεκτάσεις του κατάλληλου εύρους με καλώδιο γείωσης.

▶ **2.8.** Η γεννήτρια θα πρέπει να λειτουργεί πάνω σε επίπεδη, σταθερή και βραδυφλεγή επιφάνεια, έτσι ώστε να αποτρέπεται ο κίνδυνος πυρκαγιάς.

▶ **2.9.** Απαγορεύεται κατηγορηματικά η χρήση της συσκευής σε ημιυπόγεια ή σε υπόγεια.

▶ **2.10.** Η γεννήτρια δεν θα πρέπει να χρησιμοποιείται σε χώρους όπου υπάρχουν εκρηκτικές σκόνες, καπνοί, αέρια, καύσιμα, διαλύτες, βερνίκια.

▶ **2.11.** Σε περίπτωση που η γεννήτρια χρησιμοποιείται κοντά σε μουσαμάδες, τέντες ή παρόμοια υλικά καλύμματος, σας συνιστούμε να χρησιμοποιείτε επιπρόσθετες προφυλάξεις πυρίμαχου τύπου. Φροντίστε να διατηρείτε τη σωστή απόσταση, που σε καμιά περίπτωση δεν θα πρέπει να είναι κατώτερη των $2,5 \text{ m}$ από τα εύφλεκτα (ύφασμα, χαρτί, ξύλο, κλπ.) ή θερμοδιασπόμενα υλικά (συμπεριλαμβανομένου του καλωδίου τροφοδοσίας), από τα θερμά μέρη της γεννήτριας.

▶ **2.12.** Τοποθετήστε τη φιάλη αερίου σε σωστή θέση, πίσω από τη συσκευή (Εικ. 1). Η γεννήτρια δεν θα πρέπει σε καμιά περίπτωση να είναι προσανατολισμένη προς τη φιάλη του αερίου (Εικ. 2).

▶ **2.13.** Για κανένα λόγο δεν θα πρέπει να παρεμποδίζετε πλήρως, ή εν μέρει την είσοδο του αέρα (πίσω πλευρά) ή/και το στόμιο εξόδου του αέρα (μπροστινή πλευρά) (Εικ. 3). Αποφεύγετε τη χρήση οποιασδήποτε διοχέτευσης αέρα από/προς τη γεννήτρια. Βεβαιωθείτε ότι δεν παρεμποδίζονται τα ρείθρα αναρρόφησης αέρα που υπάρχουν στο κάτω μέρος της βάσης (για τα μοντέλα που υιοθετούν αυτή τη λύση).

► **2.14.** Σε περίπτωση ελλιπούς ή ανώμαλης έναυσης της γεννήτριας, συμβουλευτείτε την ανάλογη ενότητα (Παράγ. “13. ΛΕΙΤΟΥΡΓΙΚΕΣ ΑΝΩΜΑΛΙΕΣ, ΑΙΤΙΕΣ ΚΑΙ ΕΠΙΣΚΕΥΕΣ”).

► **2.15.** Κατά τη λειτουργία η γεννήτρια δεν θα πρέπει σε καμιά περίπτωση να μετακινείτε και να υπόκειται σε χειρισμό ή οποιαδήποτε εργασία συντήρησης.

► **2.16.** Σε οποιαδήποτε περίπτωση χρήσης, ή στάσης της συσκευής, βεβαιωθείτε ότι ο ευέλικτος σωλήνας αερίου δεν είναι κατεστραμμένος, (πεπιεσμένος, διπλωμένος, στριμμένος, τεντωμένος).

► **2.17.** Αν αντιληφθείτε μυρωδιά αερίου, σβήστε αμέσως τη συσκευή, κλείστε τη φιάλη αερίου, βγάλτε την ηλεκτρική πρίζα και στη συνέχεια επικοινωνήστε με την υπηρεσία τεχνικής υποστήριξης.

► **2.18.** Σε περίπτωση αντικατάστασης του αγωγού φυσικού αερίου, χρησιμοποιήστε μόνο ευέλικτο σωλήνα στην κατάλληλη πίεση λειτουργίας, κάνοντας αναφορά στους εθνικούς κανονισμούς. Ο αγωγός φυσικού αερίου θα πρέπει να έχει μήκος 1,5 m.

► **2.19.** Όταν η συσκευή ελέγχεται από ένα θερμοστάτη περιβάλλοντος (προϊόν optional), η γεννήτρια μπορεί να ανάψει εκ νέου οποιαδήποτε στιγμή και όταν η θερμοκρασία πέσει κάτω από το προκαθορισμένο όριο.

► **2.20.** Όταν δεν χρησιμοποιείται, αποσυνδέστε τη γεννήτρια από την ηλεκτρική πρίζα, κλείστε την τροφοδοσία φυσικού αερίου, αποσυνδέστε τον αγωγό αερίου από τη γεννήτρια και κλείστε την είσοδο αερίου επί της γεννήτριας.

► **2.21.** Πραγματοποιείτε έλεγχο με τη βοήθεια της υπηρεσίας τεχνικής υποστήριξης τουλάχιστον μια φορά το χρόνο ή/και ανάλογα με τις ανάγκες για τη σωστή λειτουργία της γεννήτριας.

►► **3. ΤΥΠΟΣ ΚΑΥΣΙΜΟΥ**

Χρησιμοποιείτε μόνο φυσικό αέριο κατηγορίας I₃B/P.

►► **4. ΣΥΝΔΕΣΗ ΚΑΙ ΑΝΤΙΚΑΤΑΣΤΑΣΗ ΤΗΣ ΦΙΑΛΗΣ ΑΕΡΙΟΥ**

Η φιάλη αερίου θα πρέπει να αντικαθίσταται σε ανοιχτό χώρο, μακριά από πηγές θερμότητας, σε μη εύφλεκτη ατμόσφαιρα.

Για τη σύνδεση της φιάλης αερίου στη γεννήτρια, θα πρέπει να χρησιμοποιούνται μόνο τα ακόλουθα εξαρτήματα:

• Ευέλικτος σωλήνας για υγρό αέριο.

• Ρυθμιστής πίεσης υγρού αερίου εξοπλισμένος με βαλβίδα ασφαλείας.

ΕΛΕΓΞΤΕ ΤΗΝ ΑΚΕΡΑΙΟΤΗΤΑ ΤΟΥ ΣΩΛΗΝΑ ΤΡΟΦΟΔΟΣΙΑΣ ΑΕΡΙΟΥ. ΣΕ ΠΕΡΙΠΤΩΣΗ ΠΟΥ ΧΡΕΙΑΣΤΕΙ ΝΑ ΑΝΤΙΚΑΤΑΣΤΑΘΕΙ, ΧΡΗΣΙΜΟΠΟΙΗΣΤΕ ΣΩΛΗΝΑ ΤΥΠΟΥ ΜΟΝΟ ΕΥΕΛΙΚΤΟΥ, ΑΝΑΛΟΓΟ ΜΕ ΤΗΝ ΠΙΕΣΗ ΧΡΗΣΗΣ, ΚΑΝΟΝΤΑΣ ΑΝΑΦΟΡΑ ΣΤΟΥΣ ΕΘΝΙΚΟΥΣ ΚΑΝΟΝΙΣΜΟΥΣ.

► Για να συνδέσετε τη γεννήτρια στη φιάλη αερίου:

ΠΡΟΣΟΧΗ: ΟΛΑ ΤΑ ΣΠΕΙΡΩΜΑΤΑ ΕΙΝΑΙ ΑΡΙΣΤΕΡΟΣΤΡΟΦΑ, ΔΗΛΑΔΗ ΚΛΕΙΝΟΥΝ ΠΡΟΣ ΤΑ ΑΡΙΣΤΕΡΑ.

► **4.1.** Βιδώστε το σωλήνα αερίου στη σύνδεση της γεννήτριας (Εικ. 4).

► **4.2.** Εγκαταστήστε το ρυθμιστή πίεσης πάνω στη φιάλη αερίου. Βεβαιωθείτε ότι πάνω στο ρυθμιστή υπάρχει στεγανοποιητική διάταξη (αν ο τύπος σύνδεση το προβλέπει) (Εικ. 5).

► **4.3.** Βιδώστε το σωλήνα αερίου στο ρυθμιστή πίεσης (Εικ. 6).

► **4.4.** Ανοίξτε τη στρόφιγγα της φιάλης αερίου (Εικ. 7).

► **4.5.** Πατήστε το κουμπί απελευθέρωσης του ρυθμιστή (Εικ. 8). **Ελέγξτε τη στεγανότητα των συνδέσεων με νερό και σαπούνι: Η εμφάνιση φυσαλίδων θα σημάνει τυχόν διαρροές αερίου (Εικ. 9).** Μπορείτε να συνδέσετε περισσότερες φιάλες αερίου για να επιτύχετε μια μεγαλύτερη αυτονομία. **Σας συνιστούμε τη χρήση φιαλών αερίου των 30 kg, έως τη θερμική ισχύ των 33 kW, πέρα από την ισχύ των 33 kW χρησιμοποιείτε φιάλες**

αερίου μεγαλύτερης χωρητικότητας. Σας συνιστούμε τη χρήση των φιαλών αερίου ανάλογης χωρητικότητας, έτσι ώστε να αποφευχθούν προβλήματα λόγω έλλειψης αεριοποίησης καυσίμων. Η σωστή πίεση λειτουργίας (δείτε πινακίδα δεδομένων που εφαρμόζονται στη γεννήτρια) παρέχεται από τον ρυθμιστή που υπάρχει, η από το αντίστοιχο μοντέλο.

►► 5. ΣΥΝΔΕΣΗ ΣΤΟ ΗΛΕΚΤΡΙΚΟ ΔΙΚΤΥΟ

ΕΛΕΓΧΕΤΕ ΤΗ ΣΩΣΤΗ ΓΕΙΩΣΗ ΤΗΣ ΗΛΕΚΤΡΙΚΗΣ ΕΓΚΑΤΑΣΤΑΣΗΣ ΣΑΣ.

Πριν συνδέσετε τη γεννήτρια στο ηλεκτρικό ρεύμα, βεβαιωθείτε ότι η τάση και η συχνότητα τροφοδοσίας είναι σωστές (δείτε δεδομένα πινακίδας που εφαρμόζονται πάνω στη γεννήτρια). Η σύνδεση στο ηλεκτρικό δίκτυο (Εικ. 10), εκτελείται σύμφωνα με τους εθνικούς κανόνες που ισχύουν.

►► 6. ΕΝΑΥΣΗ ΓΙΑ ΤΑ ΧΕΙΡΟΚΙΝΗΤΑ ΜΟΝΤΕΛΑ (... / ...M / ...DV / ...M DV)

ΣΗΜΑΝΤΙΚΟ: Για τα μοντέλα ...DV / ...M DV, ελέγξτε τη θέση της γεννήτριας αλλαγής τάσης (220-240V / 110-120V) (Εικ. 11). Αν η τάση που έχει ρυθμιστεί στη συσκευή δεν ανταποκρίνεται σε εκείνη του ηλεκτρικού δικτύου, θα πρέπει να προβείτε στην προσαρμογή της τάσης. Ξεβιδώστε τις 2 βίδες στερέωσης του καλύμματος (Εικ. 12), μεταφέρετε το διακόπτη στην τιμή της παρεχόμενης τάσης (Εικ. 13) και επανατοποθετείστε το κάλυμμα (Εικ. 14).

• 6.1. ΛΕΙΤΟΥΡΓΙΑ ΘΕΡΜΑΝΣΗΣ:

► 6.1.1. Μεταφέρετε το διακόπτη "O/I" σε θέση "I" (Εικ. 15).

► 6.1.2. Πατήστε το κουμπί του αερίου και κρατήστε το (Εικ. 16).

► 6.1.3. Πατήστε βαθιά και επανειλημμένα τον πιεζοηλεκτρικό διακόπτη (Εικ. 17), κρατώντας πατημένο το κουμπί του φυσικού αερίου (Εικ. 16).

► 6.1.4. Μετά την έναυση της φλόγας, κρατείστε πατημένο το κουμπί του φυσικού αερίου για περίπου 15 δευτερόλεπτα (Εικ. 18).

► 6.1.5. Απελευθερώστε και πάλι το κουμπί φυσικού αερίου (Εικ. 19).

Σε περίπτωση διακοπής της ηλεκτρικής ενέργειας ή ελλιπούς φυσικού αερίου, η συσκευή θα σβήσει. Η επανεκκίνηση της γεννήτριας δεν είναι αυτόματη, αλλά θα πρέπει να γίνεται χειρονακτικά, επαναλαμβάνοντας τη διαδικασία έναυσης.

Αν η συσκευή δεν ανάψει, συμβουλευτείτε την αντίστοιχη ενότητα (Παράγρ. "13. ΛΕΙΤΟΥΡΓΙΚΕΣ ΑΝΩΜΑΛΙΕΣ, ΑΙΤΙΕΣ ΚΑΙ ΕΠΙΣΚΕΥΕΣ").

• 6.2. ΛΕΙΤΟΥΡΓΙΑ ΑΕΡΙΣΜΟΥ:

Η γεννήτρια θα πρέπει να χρησιμοποιείται ακόμη και σαν ανεμιστήρας. Συνδέστε τη γεννήτρια στο ηλεκτρικό ρεύμα (Εικ. 10) και μεταφέρετε το διακόπτη "O/I" σε θέση "I" (Εικ. 15).

ΣΗΜΕΙΩΣΗ: Με τη γεννήτρια να λειτουργεί σε λειτουργία θέρμανσης, πριν να περάσετε στη λειτουργία αερισμού, ακολουθείστε τη σωστή ακολουθία σβησίματος για τα χειροκίνητα μοντέλα [Παράγρ. "9. ΣΒΗΣΙΜΟ ΓΙΑ ΤΑ ΧΕΙΡΟΚΙΝΗΤΑ ΜΟΝΤΕΛΑ (... / ...M / ...DV / ...M DV)"].

►► 7. ΕΝΑΥΣΗ ΓΙΑ ΤΑ ΗΛΕΚΤΡΟΝΙΚΑ ΜΟΝΤΕΛΑ (...E / ...ET)

► 7.1. Μεταφέρετε το διακόπτη "O/I" σε θέση "I" (Εικ. 15).

► 7.2. Πατήστε το κουμπί του "RESET" (Εικ. 20).

Η γεννήτρια θα αρχίσει την ανάλυση και μετά από περίπου 20÷30 δευτερόλεπτα η φλόγα θα ανάψει (δείτε σχήμα λειτουργίας Εικ. 21).

Σε περίπτωση διακοπής της ηλεκτρικής ενέργειας ή ελλιπούς φυσικού αερίου, η συσκευή θα σβήσει. Η επανεκκίνηση της γεννήτριας δεν είναι αυτόματη, αλλά θα πρέπει να γίνεται χειρονακτικά, πατώντας το κουμπί "RESET" (Εικ. 20).

Αν η συσκευή δεν ανάψει, συμβουλευτείτε την αντίστοιχη ενότητα (Παράγρ. “13. ΛΕΙΤΟΥΡΓΙΚΕΣ ΑΝΩΜΑΛΙΕΣ, ΑΙΤΙΕΣ ΚΑΙ ΕΠΙΣΚΕΥΕΣ”).

ΠΡΟΣΟΧΗ: Σε περίπτωση που η γεννήτρια σταματήσει λόγω παρέμβασης του θερμοστάτη περιβάλλοντος (προϊόν optional), η επανεκκίνηση της συσκευής θα γίνει αυτόματα, όταν η θερμοκρασία πέσει κάτω από το προκαθορισμένο όριο.

►► 8. ΡΥΘΜΙΣΗ ΘΕΡΜΙΚΗΣ ΙΣΧΥΟΣ

Ανάλογα με το είδος της γεννήτριας, μπορείτε να ρυθμίσετε τη θερμική ισχύ της συσκευής. Η θερμική ισχύς μπορεί να ρυθμιστεί γυρίζοντας τη χειρολαβή που βρίσκεται στη βάση της γεννήτριας (Εικ. 22), ή στον ρυθμιστή πίεσης εγκατεστημένο στη φιάλη αερίου (Εικ. 23), ανάλογα με το μοντέλο.

►► 9. ΣΒΗΣΙΜΟ ΓΙΑ ΤΑ ΧΕΙΡΟΚΙΝΗΤΑ ΜΟΝΤΕΛΑ (... / ...M / ...DV / ...M DV)

► 9.1. Κλείστε τη φιάλη του φυσικού αερίου (Εικ. 24).

► 9.2. Αφήστε να λειτουργήσει ο ανεμιστήρας για περίπου 60 δευτερόλεπτα, έτσι ώστε να αποφύγετε εσωτερικές βλάβες λόγω υπερθέρμανσης (ψύξη εσωτερικής γεννήτριας).

► 9.3. Μεταφέρετε το διακόπτη “O/I” σε θέση “O” (Εικ. 25).

► 9.4. Αποσυνδέστε τη γεννήτρια από τη ηλεκτρικό ρεύμα (Εικ. 26).

► 9.5. Αποσυνδέστε τη γεννήτρια από το σωλήνα τροφοδοσίας αερίου (Εικ. 27-28-29).

►► 10. ΣΒΗΣΙΜΟ ΓΙΑ ΤΑ ΗΛΕΚΤΡΟΝΙΚΑ ΜΟΝΤΕΛΑ (...E / ...ET)

► 10.1. Μεταφέρετε το διακόπτη “O/I” σε θέση “O” (Εικ. 25). Η φλόγα θα σβήσει και η γεννήτρια θα ακολουθήσει τη φάση μετά-αερισμού. Περιμένετε την ολοκλήρωση του κύκλου, έτσι ώστε να αποφύγετε εσωτερικές βλάβες λόγω υπερθέρμανσης (η φάση είναι αυτόματη και μπορεί να διαρκέσει από 50 δευτερόλεπτα+5

λεπτά ανάλογα με την εσωτερική/εξωτερική θερμοκρασία της γεννήτριας).

► 10.2. Κλείστε τη φιάλη του φυσικού αερίου (Εικ. 24).

► 10.3. Αποσυνδέστε τη γεννήτρια από τη ηλεκτρικό ρεύμα (Εικ. 26).

► 10.4. Αποσυνδέστε τη γεννήτρια από το σωλήνα τροφοδοσίας αερίου (Εικ. 27-28-29).

ΣΗΜΕΙΩΣΗ: Αποφεύγετε να αποσυνδέετε τη γεννήτρια από το ηλεκτρικό ρεύμα, πριν από το τέλος της φάσης μετά-αερισμού, έτσι ώστε να αποφύγετε εσωτερικές βλάβες λόγω υπερθέρμανσης.

►► 11. ΚΑΘΑΡΙΣΜΟΣ ΚΑΙ ΣΥΝΤΗΡΗΣΗ

Απευθυνθείτε στην υπηρεσία τεχνικής υποστήριξης τουλάχιστον μια φορά το χρόνο ή/και ανάλογα με τις ανάγκες, για να ελέγχετε τη σωστή λειτουργία της γεννήτριας. Πριν να την αποθηκεύσετε μετά από τη χρήση, η συσκευή θα πρέπει να είναι καθαρή.

► 11.1. Πριν να ξεκινήσετε οποιαδήποτε εργασία συντήρησης, φροντίδας και επισκευής στη συσκευή, ακολουθείστε την ακολουθία σβησίματος [Παράγρ. “9. ΣΒΗΣΙΜΟ ΓΙΑ ΤΑ ΧΕΙΡΟΚΙΝΗΤΑ ΜΟΝΤΕΛΑ (... / ...M / ...DV / ...M DV)” ή “10. ΣΒΗΣΙΜΟ ΓΙΑ ΤΑ ΗΛΕΚΤΡΟΝΙΚΑ ΜΟΝΤΕΛΑ (...E / ...ET)”].

► 11.2. Ο καθαρισμός αφορά μόνο την είσοδο του αέρα (πίσω πλευρά) της γεννήτριας.

► 11.3. Όταν χρησιμοποιείτε εκ νέου τη συσκευή, βεβαιωθείτε για την ακεραιότητα του σωλήνα αερίου και του τροφοδοτικού καλωδίου. Αν έχετε αμφιβολίες σχετικά με την ακεραιότητά τους, απευθυνθείτε στην υπηρεσία τεχνικής υποστήριξης.

► 11.4. Μην εκτελείτε εργασίες που δεν είναι εξουσιοδοτημένες.

►► 12. ΣΥΝΔΕΣΗ ΤΟΥ ΘΕΡΜΟΣΤΑΤΗ ΠΕΡΙΒΑΛΛΟΝΤΟΣ (...E / ...ET) (optional)

Αφαιρέστε το καπάκι συνδεδεμένο με τη συσκευή και συνδέστε το θερμοστάτη περιβάλλοντος (optional) (Εικ. 30).

►► 13. ΛΕΙΤΟΥΡΓΙΚΕΣ ΑΝΩΜΑΛΙΕΣ, ΑΙΤΙΕΣ ΚΑΙ ΕΠΙΣΚΕΥΕΣ

ΛΕΙΤΟΥΡΓΙΚΕΣ ΑΝΩΜΑΛΙΕΣM ...DV ...M DV	...E ...ET	ΑΙΤΙΕΣ	ΕΠΙΣΚΕΥΕΣ
Ο κινητήρας δεν ξεκινάει	X	X	Ελλιπής τάση	1°Ελέγξτε την ηλεκτρική εγκατάσταση 2°Υπηρεσία Τεχνικής Υποστήριξης
	X	X	Τροφοδοτικό καλώδιο ελαττωματικό/ κατεστραμμένο	Υπηρεσία Τεχνικής Υποστήριξης
	X	X	Κινητήρας χαλασμένος	Υπηρεσία Τεχνικής Υποστήριξης
		X	Εσφαλμένη σύνδεση του θερμοστάτη περιβάλλοντος	Συνδέστε σωστά το θερμοστάτη περιβάλλοντος
Η φλόγα δεν ανάβει	X	X	Έχει τελειώσει η φιάλη αερίου	Αντικαταστήστε τη φιάλη αερίου (Παράγρ. 4)
	X	X	Βαλβίδα ρυθμιστή ασφαλείας μπλοκαρισμένη	1°Πατήστε το κουμπί απελευθέρωσης αερίου του ρυθμιστή (Εικ. 8) 2°Υπηρεσία Τεχνικής Υποστήριξης
	X	X	Στρόφιγγα φιάλης αερίου κλειστή	Ανοίξτε τη στρόφιγγα της φιάλης αερίου (Εικ. 7)
	X	X	Ελαττωματικό κύκλωμα έναυσης	Υπηρεσία Τεχνικής Υποστήριξης
		X	Μη αποτελεσματική γείωση	Ελέγξτε τη σωστή γείωση της εγκατάστασής σας
Η φλόγα δεν παραμένει αναμμένη	X		Πατημένο κουμπί γκαζιού για όχι επαρκή χρονικό	Πατήστε το κουμπί αερίου για περισσότερο χρόνο (Παράγρ. 6.1.4.)
	X	X	Ελαττωματική γεννήτρια	Υπηρεσία Τεχνικής Υποστήριξης
Σβήσιμο της φλόγας κατά τη λειτουργία	X	X	Ανεπαρκής τροφοδοσία αερίου	1°Αντικαταστήστε τη φιάλη αερίου (Παράγρ. 4) 2°Υπηρεσία Τεχνικής Υποστήριξης
	X	X	Ελλιπής αεριοποίηση των καυσίμων	Χρησιμοποιείτε φιάλες αερίου κατάλληλης χωρητικότητας (Παραγρ. 4)
	X	X	Υπερθέρμανση της συσκευής	1°Καθαρίστε την είσοδο του αέρα (πίσω πλευρά) 2°Υπηρεσία Τεχνικής Υποστήριξης
	X	X	Ελαττωματική γεννήτρια	Υπηρεσία Τεχνικής Υποστήριξης

目录

1...	概述
2...	警告
3...	燃料种类
4...	燃气罐的连接和替换
5...	主电源的连接
6...	手动点火系列的点火说明 (... / ...M / ...DV / ...M DV)
7...	电子点火系列的点火说明(...E / ...ET)
8...	输出热功率的调节
9...	手动点火系列的关机说明 (... / ...M / ...DV / ...M DV)
10...	电子点火系列的关机说明 (...E / ...ET)
11...	清理和维护
12...	室内温控器的连接 (...E / ...ET)
13...	故障解决

重要: 在组装，试运行或者维护设备前请务必通读此操作手册。错误的使用设备可能导致严重的伤亡事故。并将此手册妥善保存以备不时之需。

►► 1. 概述

这台设备是以液化气为燃料的可移动式暖风机，通过在燃烧腔内将燃料和吸入的空气直接混合点燃，并将热风吹出。机身上有一个实用的把手，便于运输和移动。整台设备严格按照EN 1596标准生产。

►► 2. 警告

►⚠重要：禁止用于加热家庭住宅或人员集中的聚居地；请谨遵当地法规，用于加热公共场合。

►⚠重要：以下人员，除在有相关人员对其安全负责的情况下，禁止操作这台设备：儿童，残疾，智障或任何其他行为能力障碍者，缺乏相关设备操作经验或知识的人员等。

儿童必须被保证远离且不玩耍这台设备。同时，请保证任何动物和设备保持足够的安全距离。

►⚠重要：错误的使用这台设备可能导致受伤，烧伤，爆炸，电击休克，中毒甚至威胁到生命。一氧化碳中毒的初期症状类似与流感，轻微的头疼或反胃恶心。错误的操作设备都有可能引起这些症状，如果有此类症状出现，请第一时间赶往户外，并通过咨询专业的售后服务代表进行维修。

►⚠重要：为了避免一切可能发生的危险，所有清洁，维护和修理工作，尤其是涉及到危险的零部件的（诸如替换损坏的电源线等），必须由生产商，专业的售后服务商或

者其他具有类似资质的人员完成。即使是涉及到主电源的断开，也应遵循此原则。

▶2.1.为了正确的使用此设备并妥善保存燃料，请谨遵当地相关的法律法规。

▶2.2.设备在正常运行的情况下，需要有稳定的新鲜空气的流通，因此其适合在户外使用，若需要在室内时，必须持续保持新鲜空气的供给。在空间体积小于100立方米时，可以通过如下的公式来计算空间内的空气交换量，每100瓦功率，需要1立方米的空气交换。在空间体积大于250平方米，均匀的被分为上下两层的空间内，可以通过每千瓦热量需要25平方米的通风口来计算通风量。任何国家规定，包括技术规范，事故防范和火灾防范方面的规定都对此有效。

▶2.3.此设备只能且仅能用于热空气发生器（加热模式）或者风扇（通风模式，仅部分型号具有此模式）。请谨遵此条规定。

▶2.4.生产商对任何因错误的使用或维护方式导致的损失或伤亡不负任何责任。

▶2.5.仅使用此处所明确表述可以使用的燃料，且使用设备铭牌上所标识的电压和电流的电源。

▶2.6.确保设备被单独的接入正确的电源线路，并使用独立的开关和正确的地线。

▶2.7.仅使用合适的延长线，并且正确的连接了地线。

▶2.8.为避免火灾，设备必须在水平的且防火的平面上运行。

▶2.9.禁止在地下室或者在水平面以下的地方使用此设备。

▶2.10.禁止在放置有爆炸性粉尘，气体，燃料，溶剂或者涂料的地方使用此设备。

▶2.11.当此设备被使用在接近涂油防水布，遮阳布或者其他类似材料的地方时，有必要使用额外的防火保护。确保在任何情况下设备较热的部分至少远离易燃物品（物品，纸，木头等）或者不耐高温的物品（包括电线等）至少2.5米。

▶2.12.保持燃气罐置于一个受保护的场所且位于设备的后方（图1）。任何情况下不允许将暖风机出风口面对燃气罐（图2）。

▶2.13.不允许因任何原因将进风口（机器后部）或出风口（机器前部）完全或部分遮挡（图3）。禁止在进气或者出风口上连接管道。确保位于设备底部进气调节旋钮旋转正常，未被阻塞（仅部分型号）。

▶2.14.如果设备不能启动或者非正常启动，请查看相关章节。（第十三章，故障解决）

▶2.15.在设备运行时，禁止移动，携带或者进行维护保养。

▶2.16.在任何情况下使用此设备时，禁止将供气的燃气软管损坏，损毁，弯曲，扭曲或者磨损。

▶2.17.如果在运行过程中出现任何燃气的味道，请务必进行如下操作，立即关闭电源，关闭燃气罐进气，切断主电源连接，并立即联系售后服务人员。

▶2.18.如果需要更换燃气软管，请仔细核对软管口径，并仅使用合适的软管作为替换。管长必须为1.5米。

▶2.19.当和温控器链接用于控制机器时，设备可能在任何时候启动或停机。例如，环境温度降低到了温控器设定的温度。

▶2.20.当不使用暖风机时，请将设备断电，拔出电源线，关闭燃气供应，将供气软管从设备上断开并将设备上的进气口盖紧。

▶2.21.请根据实际情况或者每使用一年后，联系售后服务部门，对设备进行监测。

▶▶3. 燃料种类

仅使用I₃B/P燃气。

▶▶4. 燃气罐的链接和替换

必须在露天，远离热源且在没有火焰的环境中，替换燃气罐。

仅使用下列配件将燃气罐连接到设备：

- 液化气软管.
- 带有安全阀的液化气减压阀.

严格检查进气管的气密性，并且仅使用符合当地规定，压力合适的软管。

▶将燃气罐连接至设备：

注意：所有螺纹都是左旋的，即他们是通过逆时针方向拧紧的。

▶4.1.将进气软管和暖风机进气进口连接，拧紧；(图.4).

▶4.2.将减压阀安装上燃气罐。请确保减压阀上的垫圈完好无损；(图.5).

▶4.3.将进气软管的另一头连接上减压阀；(图.6).

▶4.4.打开燃气罐开关(图.7).

▶4.5.按住减压阀的通气开关(图.8). 通过使用肥皂水来监测管子连接处的气密性：有气泡产生则为有漏气(图.9)

可以将几个燃气罐串联起来获得更久的连续工作时间。33KW及以下的机器，推荐使用30kg的燃气罐。超过33kw的机器，请使用更大的燃气罐。使用功率所对应的合适的燃气罐可以避免因燃料的气化不足而导致的各种问题。所提供的减压阀或者其他相同的型号产品决定了设备正常工作时的气压(详见随附的技术参数)

▶▶5. 与电源连接

在连接电源前，请务必确保您的电源系统已经连接有地线。

在连接电源前，请确认所有使用的电源都是符合设备要求的(详见随

附的技术参数)和主电源的连接必须符合当地的法律规定。(图. 10)

▶▶6. 手动点火系列的点火说明 (... / ...M / ...DV / ...M DV)

重要:对于...DV / ...M DV 型号, 确认变压器开关的位置 (220-240V / 110-120V) (图. 11). 如果设备本身设定的电压与主电源不符, 电压必须进行修改。将2个旋钮盖松开 (图. 12), 将开关开到和所使用电源一致的电压 (图.13) 并重新盖紧旋盖 (图.14)

● 6.1. 加热模式:

▶6.1.1. 将“O/I”开关开到“I”的位置 (图. 15).

▶6.1.2. 按下进气开关, 并保持按住 (图. 16).

▶6.1.3. 按下压电点火器(图. 17), 同时保持按住进气开关(图. 16)

▶6.1.4. 在火焰点着后, 再保持按住进气开关15秒左右 (图. 18).

▶6.1.5. 松开进气开关(图. 19).

若发生断电或者燃气用完, 设备会自动关机, 但在恢复电源或供气后, 不会自动启动。必须重复上述开机步骤。

如果设备没有启动, 请参见相关章节 (第十三章.“故障解决”).

● 6.2. 通风模式:

此设备也可以作为风扇使用。将设备连通电源(图.10), 将开关“O/I”

开到“I” (图. 15).

注意: 在使用加热模式后, 若要使用通风模式, 请先遵照正确的关机方式将设备关机。 [第九章.“手动点火型号的关机 (... / ...M / ...DV / ...M DV”)].

▶▶7. 电子点火系列的点火 (...E / ...ET)

▶7.1. 将 “O/I”开到“I”的位置 (图. 15).

▶7.2. 按下“RESET”键 (图. 20).

设备会自动开始分析程序并在约20至30秒后点火(详见 Fig. 21).

若断电或者没有燃气供给, 机器会自动关机, 但在重新通电或供气后, 不会自动重启。请按照上述过程, 按下“RESET”重新启动 (图. 20).

如果设备没有启动, 请参见相关章节 (第十三章“故障解决”)

注意: 如果设备因为连接有温控器 (选配件) 而关闭, 暖风机会在室内温度降低到温控器设定的温度以下后自动重启。

▶▶8. 输出热功率的调节

根据设备的型号, 可以通过不同的方式来调节暖风机的输出热功率。A, 通过调节设备底部的旋钮来调节 (图.22) 或者 B, 通过连接在燃气罐上的减压阀调节 (图.23).

▶▶ 9. 手动点火系列的关机 (... / ...M / ...DV / ...M DV)

- ▶ 9.1. 关闭燃气罐 (图. 24).
- ▶ 9.2. 继续保持风扇开启60秒左右，用于防止过热对机器内部零件的损伤。
- ▶ 9.3. 将“O/I” 开到 “O”的位置 (图. 25).
- ▶ 9.4. 将机器从电源上断开 (图. 26).
- ▶ 9.5. 将机器从供气管道上断开 (图. 27-28-29).

▶▶ 10. 电子点火系列的关机 (...E / ...ET)

- ▶ 10.1. 将开关 “O/I” 开到 “O”的位置 (图. 25). 火焰会熄灭，设备自动进入到后吹扫步骤。请耐心等待这个过程结束，以防止国内对机器零部件造成的损伤（根据机器内外部实际的温度情况，这个过程会持续50秒到5分钟左右）。
- ▶ 10.2. 关闭燃气罐 (图. 24).
- ▶ 10.3. 将机器从电源上断开 (图. 26).
- ▶ 10.4. 将机器从供气管道上断开 (图. 27-28-29).

注意：在后吹扫完成前，请勿将电源切断，以防止机器因为过热对内部零部件造成损伤。

▶▶ 11. 清洁和维护

请根据实际情况或者每使用一年后，联系售后服务部门，对设备进行保养和维护。在使用后，储藏前，请务必对设备进行清理。

▶ 11.1. 在进行任何维护，清理，修理工作前，请务必参照上述的关机流程，将设备关闭。[第九章“手动点火系列的关机(... / ...M / ...DV / ...M DV)”或第十章“电子点火系列的关机 (...E / ...ET)”].

▶ 11.2. 仅对设备的后部的进风口进行清洁。

▶ 11.3. 在再次使用设备前，请务必对进气管的气密性和完整性，电源线的完整性进行检查检测。如果有任何疑问或者不确定，请联系售后服务方面获取技术支持。

▶ 11.4. 请勿违规操作，修理维护设备或者使用未经厂商授权的零配件。

▶▶ 12. 温控器的连接 (...E / ...ET) (选配件)

打开设备上的连接插槽盖，连接上室内温控器(选配件) (图. 30). 详见电路图 (...E / ...ET).

►► 13. 故障解决

异常的情况M ...DV ...M DV	...E ...ET	原因	解决方案
设备不启动	X	X	没有电压(必须接地线)	1°检查电源系统 2°联系售后服务
	X	X	电源线损坏或故障	联系售后服务
	X	X	电机损坏	联系售后服务
		X	错误的连接或者设定了温控器	正确连接并设定温控器
火焰没有点燃	X	X	燃气罐没有储气	替换燃气罐 (第四章)
	X	X	减压阀未打开	1°按下减压阀 (图.8) 2°联系售后服务
	X	X	未打开燃气罐开关	打开燃气罐开关 (图.7)
	X	X	点火电路故障	联系售后服务
		X	未连接地线	检查系统是否正确连接地线
火焰没有持续点燃	X		进气开关按下的时间不够	持续按住开关更长的时间 (第6.1.4节)
	X	X	设备故障	联系售后服务
运行过程中火焰熄灭	X	X	供气中断	1°替换燃气罐 (第四章) 2°联系售后服务
	X	X	燃料没有气化	使用合适的燃气罐(第四章)
	X	X	设备过热	1°清洁后部进气口 2°联系售后服务
	X	X	设备故障	联系售后服务

МАЗМҰНЫ

1...	СИПАТТАМАСЫ
2...	ЕСКЕРТУЛЕР
3...	ЖАНАРМАЙ ТҮРІ
4...	ГАЗ БАЛЛОНЫН ҚОСУ МЕН АУЫСТЫРУ
5...	ҚУАТ КӨЗІНЕ ЖАЛҒАУ
6...	МАНУАЛЬДЫ МОДЕЛЬДЕРДІ ҚОСУ (... / ...M / ...DV / ...M DV)
7...	ЭЛЕКТРОНДЫ МОДЕЛЬДЕРДІ ҚОСУ (...E / ...ET)
8...	ЖЫЛЫТУ ӨНДІРІСІН РЕТТЕУ
9...	МАНУАЛЬДЫ МОДЕЛЬДЕРДІ ӨШІРУ (... / ...M / ...DV / ...M DV)
10...	ЭЛЕКТРОНДЫ МОДЕЛЬДЕРДІ ӨШІРУ (...E / ...ET)
11...	ТАЗАЛАУ МЕН ТЕХНИКАЛЫҚ ҚЫЗМЕТ КӨРСЕТУ
12...	БӨЛМЕ ТЕРМОСТАТЫН ЖАЛҒАУ (...E / ...ET)
13...	АҚАУЛАРДЫ ТҮЗЕУ

МАҢЫЗДЫ: ҚҰРАЛДЫ ЖӨНДЕУ, ҚОСУ, НЕМЕСЕ ҚЫЗМЕТ КӨРСЕТУ ЖҰМЫСТАРЫН ЖҮРГІЗУ АЛДЫНДА ОСЫ ЖЕТЕКШІЛІКТІ МҰҚИЯТ ОҚЫП АЛУ КЕРЕК. ДҰРЫС ПАЙДАЛАНБАУ АУЫР ДЕНЕ ЖАРАҚАТТАРЫНЫҢ СЕБЕПШІСІ БОЛУЫ МҮМКІН. ОСЫ ЖЕТЕКШІЛІКТІ БОЛАШАҚТА ПАЙДАЛАНУ МАҚСАТЫМЕН САҚТАУ КЕРЕК.

►► 1. СИПАТТАМАСЫ

Бұл құрал сұйық газбен жұмыс істейтін тасымал ауа жылытқышы; сипаттамалы ерекшеліктері бұл жанармайды толық пайдалану, сонымен қатар жану өнімдерімен кірген ауаның тікелей араласуының себебінен болатын жылумен ауысу. Құралдың ауыстыруға ыңғайлы ұстағышы бар. Жылытқыш EN 1596 нормаларына сәйкес жасалған.

►► 2. AVVERTENZE

►⚠️**МАҢЫЗДЫ:** Бұл қондырғыны үйлер мен тұрғын үйлерде пайдалануға болмайды; қоғамдық ғимараттарда пайдалану осы мемлекетте пайдаланылатын жағдайларға сәйкес болуы керек.

kk ►⚠️**МАҢЫЗДЫ:** Қондырғыны физикалық немесе ақылы кем адамдарға (соның ішінде балаларға), немесе білімі мен тәжірибесі жоқ адамдарға, олардың жұмыс істеу қауіпсіздігіне жауапты адам бақылаған

кезден басқа, қолдануға рұқсат етілмейді. Балалар үнемі бақылауда болуы керек, қондырғымен ойнап жатқан жоқтығына сенімді болу үшін. Жануарлар қондырғымен контактіде болмауы керек.

►⚠️**МАҢЫЗДЫ:** Қондырғыны дұрыс пайдаланбау жарақат, күйу, жарылу, тоқпен соғу, улану немесе өлімге соқтыруы мүмкін. Көміртек тотығымен уланудың алғашқы белгілері бас ауырумен бірге тұмаудың белгілеріне ұқсас, бас айналу және/немесе жүрек айну. Бұл белгілердің себепшісі қондырғының дұрыс жұмыс істемеуі болуы мүмкін. ЕГЕР ДЕ ЖОҒАРЫДА КӨРСЕТІЛГЕН БЕЛГІЛЕР ПАЙДА БОЛАТЫН БОЛСА, ДЕРЕУ ТАЗА АУАҒА ШЫҒУ КЕРЕК, сонымен қатар қондырғыны сату орталығына жөндеуге өткізу керек.

►⚠️**МАҢЫЗДЫ:** Қауіп төндіретін, электр түйіндеріне қолжетімді жерде тазалау, техникалық қызмет

көрсету және жөндеу жұмыстарына байланысты барлық жұмыстар (мысалы бүлінген қуат сымын ауыстыру) өндіруші, сатудан кейінгі қызмет көрсету орталығының пунктісі немесе қондырғысәйкес мамандығы бар адаммен қондырғы басты қуат көзінен ажыратылған болғанның өзінде максималды қауіпсіз әдіспен орындалуы керек.

► **2.1.** Қондырғыны дұрыс және тиімді қолдану үшін осы мемлекетте жүзеге асырылатын ережелер мен нормаларды сақтау керек.

► **2.2.** Дұрыс жұмыс істеу үшін жылытқыш сәйкес мөлшерде таза ауаны талап етеді. Сондықтан ол ғимараттан тыс немесе сәкес ауа мөлшері қамтамасыздандырылған жақсы желдеткіші бар ғимараттарда пайдалануға арналған. Сәйкес желдетуді қондырғының жылыту қуатын ғимарат ауданына келесі пропорцияға сәйкес: 100 Вт қуатқа 1 м³ бейімдеу арқылы қамтамасыздандыруға болады. Ғимараттың көлемі 100 м³ аз болуы еш уақытта ұсынылмайды. Сәйкес ауа алмасу желдету саңылауының көмегімен қамтамасыздануы мүмкін, ол келесі параметрлерге сәйкес болуы керек: мөлшері 1 кВт 25 см² жылыту қуатына (кем дегенде 250 см²), орналасуы ғимараттың жоғарғы және төменгі бөліктерінің арасында болуы керек. Жөндеу жұмыстары осы мемлекетте қолданылатын нормаларға сәйкес келу керек, техникалық нормалармен қатар, сонымен бірге еңбекті қорғау мен қауіпсіздік техникасы және өрт қауіпсіздігі ережелеріне сәйкес болуы керек.

► **2.3.** Қондырғы ыстық ауа көзі (жылыту функциясы) немесе желдеткіш ретінде (осы функциясы бар модельдерге арналған желдеткіш функциясы) ғана қызмет көрсете алады. Осы шарттарды міндетті түрде сақтап орындау керек

► **2.4.** Өндіруші қондырғыны дұрыс пайдаланбау нәтижесінде пайда болған

мүлік немесе дене жарақаттарына жауап бермейді.

► **2.5.** Жылытқыш қондырғыға орнатылған номиналды щитокта көрсетілгендей, кернеу параметрлерімен тоққа жалғанған уақытында нақты айқындалған жанармайда ғана жұмыс істей алады.

► **2.6.** Қондырғы сәйкес дифференциалды ажыратқышы бар, сонымен қатар сәйкес жерлендірілген электр жүйесінің көзіне жалғанып тұрғанына көз жеткізу керек.

► **2.7.** Сәйкес жерлендіруі бар ұзартқышпен пайдаланған жөн.

► **2.8.** Өрт тәуекелділігін тегістеу (нивенирлеу) үшін қондырғы тұрақты және табанды негіздемеде орнатылуы керек.

► **2.9.** Қондырғыны жертөлелер мен жер бетінің астында пайдалануға рұқсат етілмейді.

► **2.10.** Қондырғыны сыр немесе еріткіштерді сақтау орындарында пайдалануға рұқсат етілмейді, сонымен қатар тез жану қабілеті бар газ немесе булар болуы мүмкін жерлерде пайдалануға рұқсат етілмейді.

► **2.11.** Егер жылытқыш импрегнирленген брезент, тығыз перделер немесе сол сияқты материалдардың жанында қолданылса қосымша отқа төзімді қорғаныс элементтерін пайдалануды ойластыру керек. Қондырғының қызатын элементтері тез жануға бейімделген материалдардан (мата, қағаз, ағаш және т.б.) сәйкес ара-қашықтықта орналасқанына көз жеткізу керек немесе қызуға төзімді емес материалдардан (қуат сымын қоса); бұл ара-қашықтық 2,5 метрден аз бомауы керек.

► **2.12.** Газ баллонын қондырғының артында қауіпті қалыпта орнату керек (Сурет 1). Жылытқыш баллонға қарай еш уақытта бұрылып тұрмауы керек (Сурет 2).

► **2.13.** Кіретін желдеткіш саңылауы арқылы (артынан), сонымен қатар шығатын желдеткіш саңылауы (алдынан) ауа ағынында ешбір кедергі болмауы

керек (Сурет 3). Жылытқышқа қандай да бір желдеткіш сымдарын жалғауға рұқсат етілмейді. Негіздемеде орналасқан ауаның кіруіне арналған саңылаулар ештеңемен жабық тұрмағанына көз жеткізу керек (осындай шешім қабылданған модельдерге байланысты).

► **2.14.** Егер де жылытқыш нормаға сәйкес қосылып немесе өшірлмей жатса сәкес бөлімге назар аудару керек (13 бөлім «АҚАУЛАРДЫ ТҮЗЕУ»).

► **2.15.** Қосуды тұрған жылытқышта техникалық қызмет көрсету жұмыстарын немесе жылытқышты орнынан ауыстыруға болмайды.

► **2.16.** Қондырғы пайдаланып немесе пайдаланылмай тұрғанына байланыссыз газ сымын оңдауға тексеріп тұру керек (басылған, оралған, бұратылғын).

► **2.17.** Егер де сіз газдың иісін сезсеңіз қондырғыны дереу өшіру керек, газ баллонын жауып, жылытқышты электр жүйесінен өшіріп тастау керек, осыдан кейін қызмет көрстеу орталығына айту керек.

► **2.18.** Егер де газ сымын ауыстыру қажет болса, иілімді сым пайдалану керек, осы облыста жергілікті ұйғарымдарды ескере отырып. Газ сымының ұзындығы 1,5 метр болуы керек.

► **2.19.** Егер қондырғы термостат көмегімен басқарылатын болса (қосымша опция), жылытқыш өз бетімен қосылуы мүмкін, егер де температура төмендеп және орнатылған мөлшерден аз болатын болса.

► **2.20.** Қондырғы ұзақ уақыт пайдаланылмаған кезеңдерде оны электр желісінен ажырату керек, газдың беруін жауып тастап, жылытқыштан газ сымын өшіріп және газдың келу саңылауын жауып тастау керек.

► **2.21.** Қондырғы кем дегенде жылына бір рет немесе қажет болған жағдайларда сатудан кейінгі сервистік қызмет көрсету орталықтарында мамандармен дұрыстығына тексеріліп тұруы керек.

►► **3. ЖАНАРМАЙ ТҮРІ**

Тек қана I₃B/P түрлі газды ғана пайдалану керек.

►► **4. ГАЗ БАЛЛОНЫН ҚОСУ МЕН АУЫСТЫРУ**

Газ баллонын ашық жерлерде, таза ауада, жылу мен от көздерінен алшақ жерледре ауыстыру керек.

Төменде көрсетілген қондырғыларын ғана газ баллонын жылытқышқа қосу мақсатында ғана қолданыла алады:

• Сұйық газдың созылғыш сымы.

• Газ қысымын реттегіш қауіпсіздік тетігімен.

ГАЗ СЫМЫНДА ҚАНДАЙ ДА БІР ЖАРЫЛҒАН ЖЕРЛЕР ЖОҚ ЕКЕНДІГІНЕ КӨЗ ЖЕТКІЗУ КЕРЕК. ЕГЕР ДЕ ГАЗ СЫМЫН АУЫСТЫРУ ҚАЖЕТТІЛІГІ ТУЫНДАСА ӘРЕКЕТТЕГІ ҰЙҒАРЫМДАРҒА СӘЙКЕС КЕЛЕТІН СОЗЫЛҒЫШ ҚЫСЫМДЫ СЫМДЫ ПАЙДАЛАНҒАН ЖӨН.

► Газ баллонын жылытқышқа қосу үшін:
ЕСКЕРТУ: ВИНТТЕРДІҢ БАРЛЫҒЫ СОЛ, ЯҒНИ ЭЛЕМЕНТТЕРДІ САҒАТ ТІЛІНЕ КЕРІ БҰРАУ КЕРЕК.

► **4.1.** Газ сымын жылытқышқа бұрау керек (Сурет 4).

► **4.2.** Газ баллонында қысым реттегішін орнату керек. Реттегіштің аралық қабатының бар екендігіне көз жеткізу керек (осы қосылуда қажет болса) (Сурет 5).

► **4.3.** Газ сымын қысым реттегішіне бұрау керек (Сурет 6).

► **4.4.** Газ баллонының тетігін бұрап алу керек (Сурет 7).

► **4.5.** Реттігіштегі қосу тетігін басу керек (Сурет 8). **САБЫНДЫ СУДЫҢ КӨМЕГІМЕН ЖАЛҒАНҒАН ЖЕРЛЕРДІ ҚЫСЫМҒА ТЕКСЕРУ: ПАЙДА БОЛҒАН КӨБІКТЕР ГАЗДЫҢ ШЫҒУЫН БІЛДІРЕДІ (Сурет 9).** Максимальды жұмыс істеу уақытын алу мақсатымен бірнеше газ баллонын жалғауға рұқсат етіледі. **Жылыту қуаттылығы 33 кВт дейін болса 30 киллограммдық газ**

баллонын пайдалану ұсынылады. 33 кВт жоғары болса үлкен көлемді газ баллонын пайдалану керек. Жанармайдың газдануының болмай қалу себептерінің лдын алу үшін сәйкес көлемді газ баллондарын пайдалану ұсынылады. Салынған реттігіш немесе оның эквиваленті сәйкес қысым бірліктерін орнатуға мүмкіндік береді, ол кезде қондырғы дұрыс жұмыс істейді (жылытқыштағы номиналды табақшаны қараңыз).

▶▶ 5. ҚУАТ КӨЗІНЕ ЖАЛҒАУ ЭЛЕКТР СЫМЫ ДҰРЫС ЖЕРЛЕНГЕНДІГІН ТЕКСЕРГЕН ЖӨН.

Қондырғыны тоқ желісіне қосу алдында тоқ кернеуі жылытқыштағы номиналды табақшада көрстеілген мағлұматтарға сәйкес екендігіне көз жеткізу керек. Тоқ көзіне жалған (Сурет 10) әрекеттегі ұйғарымдармен сәйкес орындалуы керек.

▶▶ 6. МАНУАЛЬДЫ МОДЕЛЬДЕРДІ ҚОСУ (... / ...M / ...DV / ...M DV)

МАҢЫЗДЫ: ...DV / ...MDV модельдерінде трансформатор қалпын тексерген жөн (220-240В / 110-120В) (Сурет 11). Егер қондырғыда орнатылған кернеу тоқ көзінің кернеуіне сәйкес келмесе, оны реттеген жөн. Қақпақтың 2 винтін бұрап алу (Сурет 12), ауыстырып-қосқышты тоқ көзіне сәкес келетін кернеу қалпына орнату (Сурет 13), содан кейін қақпақты қайта бекіту (Сурет 14).

• 6.1. ЖЫЛЫТУ РЕЖИМІ:

▶ 6.1.1. Ауыстырып-қосқышты «O/I» қалпынан «I» қалпына орнату (Сурет 15).

▶ 6.1.2. Газ тетігін соңына дейін басып тұру (Сурет 16)

▶ 6.1.3. Пьезозажигалка тетігін бірнеше рет соңына дейін басу (Сурет 17), газ қосқышын біруақытта басып тұрып (сурет 16).

▶ 6.1.4. От жанғаннан кейін 15 секунд аралығында газды басып тұру керек (Сурет 18).

▶ 6.1.5. Газдың ажыратып-қосқышын жіберіңіз (Сурет 19).

Тоқ немесе газ баллонында газдың болмай қалғаны болатын болса, қондырғы өшіп қалып, автоматты қосылмайды. Оны қолыңызбен қосу процедурасын қайталап қосу керек.

Егер де жылытқыш қосылмай жатса сәйкес бөлімге жүгіну керек (13 бөлім «АҚАУЛАРДЫ ТҮЗЕУ»).

• 6.2. ЖЕЛДЕТУ РЕЖИМІ

Қондырғыны желдеткіш ретінде пайдалануға болады. Қондырғыны тоқ көзіне жалғаңыз (Сурет 10) және «O/I» ажыратып-қосқышын «I» қалпына орнатыңыз (Сурет 15).

МАҢЫЗДЫ: Қондырғы жылытқыш режимінде жұмыс істеп тұрған уақытта оны желдеткіш режиміне ауыстыру үшін мануальды модельдерге сәйкес өшіру керек [9 бөлім «МАНУАЛЬДЫ МОДЕЛЬДЕРДІ ӨШІРУ» (... / ...M / ...DV / ...M DV)»].

▶▶ 7. ЭЛЕКТРОНДЫ МОДЕЛЬДЕРДІ ҚОСУ (...E / ...ET)

▶ 7.1. «O/I» ажыратып-қосқышын «I» қалпына орнату (Сурет 15).

▶ 7.2. «RESET» тетігін басу (Сурет 20).

Құрал сараптау процедурасын бастайды; қосылу 20÷30 секунд өткен соң болады (функционалдау сұлбесін қараңыз, сСурет 21).

Тоқ немесе газ баллонындағы газ бітіп қалған уақытта қондырғы автоматты түрде өшіп қалады да қайта қосылады. Оны «RESET» тетігін басып қолмен қосу керек (Сурет 20).

Егер жылытқыш қосылмай жатса сәйкес бөлімге жүгіну керек (13 бөлім «АҚАУЛАРДЫ ТҮЗЕУ»).

ЕСКЕРТУ: Егер жылытқыш термостаттың іске асуының нәтижесінде өшіп қалса (қосымша

опция), құрал орнатылған нормадан төмен температураға түскен кезде автоматты қайта қосылады.

►► 8. ЖЫЛЫТУ ӨНДІРІСІН РЕТТЕУ

Жылыту өндірісін жылытқыш түріне байланысты реттеуге болады. Жылыту өндірісін жылытқышта орнатылған тұтқа көмегімен реттеуге болады (Сурет 22) немесе газ баллонында орналасқан газ қысымын реттегіш көмегімен реттеуге болады (Сурет 23) – модель түріне байланысты.

►► 9. МАНУАЛЬДЫ МОДЕЛЬДЕРДІ ӨШІРУ (... / ...M / ...DV / ...M DV)

► 9.1. Газ баллонының қақпағын жабыңыз (Сурет 24).

► 9.2. Қызып кету нәтижесінде болатын ішкі зақымдардың алдын алу үшін желдеткіш 60 секундтай қосылып тұруы керек (желдеткіштің ішкі салқындауы).

► 9.3. «O/I» ажыратып-қосқышын «I» қалпына орнату (Сурет 25).

► 9.4. Қондырғыны электр тогының көзінен ажырату керек (Сурет 26).

► 9.5. Құралды газ сымынан ажырату керек (Сурет 27-28-29).

►► 10. ЭЛЕКТРОНДЫ МОДЕЛЬДЕРДІ ӨШІРУ (...E / ...ET)

► 10.1. «O/I» ажыратып-қосқышын «I» қалпына орнату (Сурет 25). От өшіп құрал желдетуден кейінгі фазасын іске қосады. Қызып кету нәтижесінде болатын ішкі бұзылулардың алу үшін циклдың соңына дейін күткен жөн (процесс автоматты түрде орындалады, және ұзақтығы 50 секундтан 5 минутқа дейін жалғасуы мүмкін, құралдың ішкі/сыртқы температурасына байланысты).

► 10.2. Газ баллонының қақпағын бұрап алыңыз (Сурет 24).

► 10.3. Құралды электр желісінің көзінен өшіріп тастаңыз (Сурет 26).

► 10.4. Құралды газ сымынан ажыратыңыз (Сурет 27-28-29).

Маңызды: Қызып кету нәтижесінде болатын ішкі бұзылулардың алдын алу үшін желдетуден кейінгі фазаның аяқталуына дейін қондырғыны электр желісінен ажырату ұсынылмайды.

►► 11. ТАЗАЛАУ МЕН ТЕХНИКАЛЫҚ ҚЫЗМЕТ КӨРСЕТУ

Қондырғы кем дегенде жылына бір рет сатудан кейінгі қызмет көрсету орталығының мамандарымен немесе талаптарға сәйкес дұрыс істеуіне бақылануы керек. Маусым аяқталған соң қондырғыны тазалаған жөн.

► 11.1. Техникалық қызмет көрсету немесе жөндеу жұмыстарын өткізу алдында қондырғыны өшіріп тастаған жөн, мануальды модельдерге арналған әдістермен сәйкес [9 бөлім «МАНУАЛЬДЫ МОДЕЛЬДЕРДІ ӨШІРУ (... / ...M / ...DV / ...M DV)» немесе электронды 10 бөлім «ЭЛЕКТРОНДЫ МОДЕЛЬДЕРДІ ӨШІРУ (...E / ...ET)»].

► 11.2. Отазалау тек қана желдеткіш тетіктерге ғана арналған (артынан).

► 11.3. Маусым басталар алдында газ сымдары немесе электр тогының сымдарының жарылып қалмағандығына көз жеткізу керек. Егер де қандай да бір күмәнділік пайда болатын болса сатудан кейінгі қызмет көрсету орталығына хабарласу керек..

► 11.4. Қондырғыны өз бетінше жөндеуде болыңыз.

►► 12. БӨЛМЕ ТЕРМОСТАТЫН ЖАЛҒАУ (...E / ...ET) (optional)

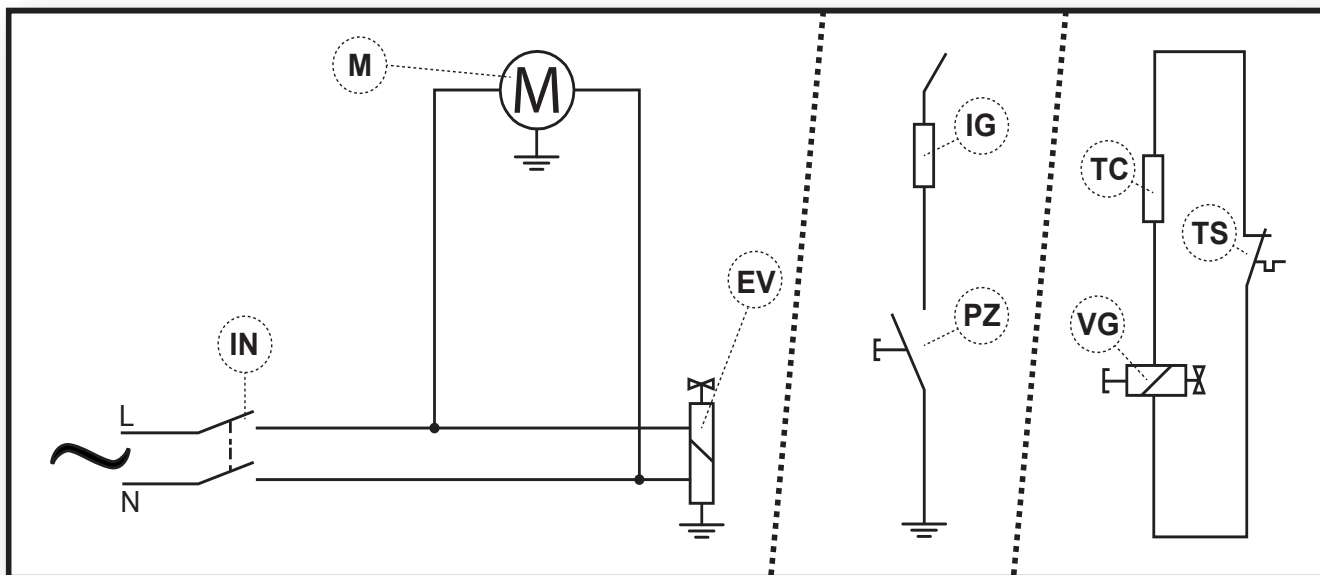
Қондырғыға жалғанып тұрған вилканы ажыратыңыз, содан кейін термостатты жалғаңыз (опция) (Сурет 30).

Қараңыз: сымдардың сұлбесі (...E / ...ET).

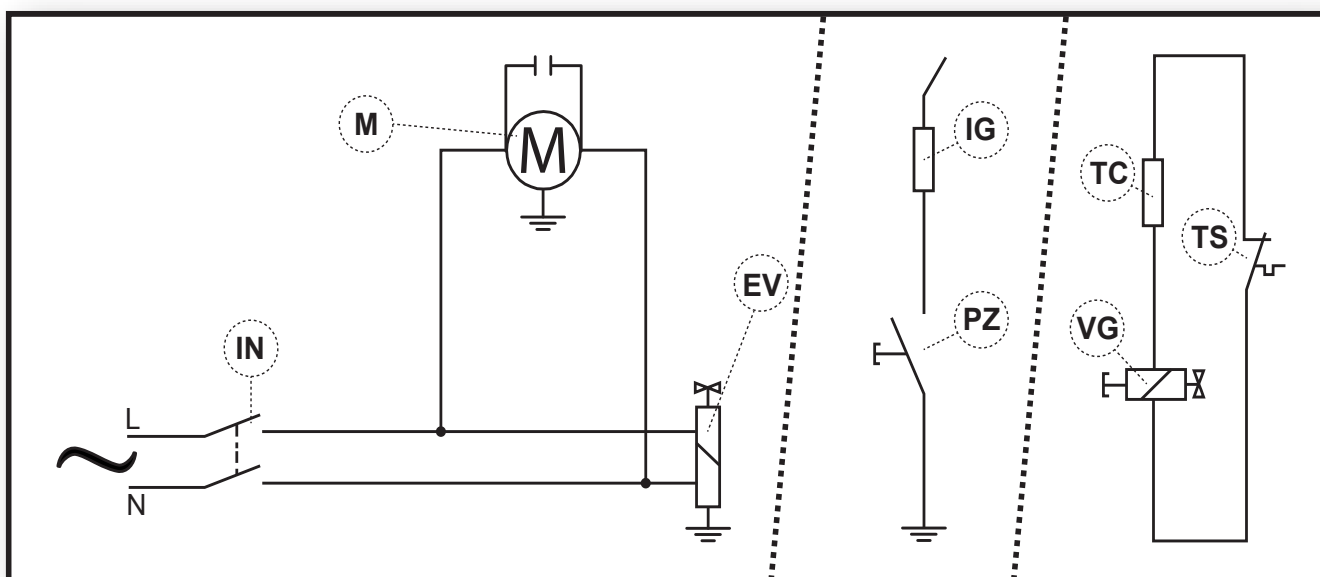
►► 13. АҚАУЛАРДЫ ТҮЗЕУ

ДҰРЫС ФУНКЦИО- НАЛДАНБАУM ...DV ...M DV	...E ...ET	СЕБЕПТЕР	ШЕШІМДЕР
Қозғалтқыш іске қосылмайды	X	X	Кернеу жоқ	1°Электр желісін тексеру 2°Сатудан кейінгі қызмет көрсету орталығына хабарласу
	X	X	Электр көзінің сымы бүлінген	Сатудан кейінгі қызмет көрсету орталығына хабарласу
	X	X	Қозғалтқыш ақауланған	Сатудан кейінгі қызмет көрсету орталығына хабарласу
		X	Бөлме термостатының дұрыс жалғанбауы	Термостатты дұрыс жалғау
От жанбайды	X	X	Газ баллоны бос	Газ баллонын ауыстыру (4 бөлім)
	X	X	Қауіпсіз реттегіш тетігін жауып тастау	1°Реттегіштегі газды беру басқышын басы (Сурет 8) 2°Сатудан кейінгі қызмет көрсету орталығына хабарласу
	X	X	Газ баллонының тетігін жауып тастау	Газ баллонының тетігін бұрап алу (Сурет 7)
	X	X	Жанудың ақаулы тәртібі	Сатудан кейінгі қызмет көрсету орталығына хабарласу
		X	Эффективті емес жерлендіру	Электр сымының дұрыс жерлендірілгенін тексеру керек
От жанып тұрмайды	X		Газ басқышы қажетті ұзақ уақытқа басылмады	Газ басқышын басып Көбірек ұстап тұру керек (бөлім 6.1.4)
	X	X	Ақауы бар құрал	Сатудан кейінгі қызмет көрсету орталығына хабарласу
Қондырғы жұмыс істеп тұрған уақытта от азайып қалады	X	X	Газдың жеткіліксіз болуы	1°Газ баллонын ауыстыру (бөлім 4) 2°Сатудан кейінгі қызмет көрсету орталығына хабарласу
	X	X	Жанармайдың газдануы жоқ	Сәйкес көлемді газ баллонын пайдалану (бөлім 4)
	X	X	Қондырғының қызып кетуі	1°Желдеткіш тесікті тазалау (артынан) 2°Сатудан кейінгі қызмет көрсету орталығына хабарласу
	X	X	Ақауы бар құрал	Сатудан кейінгі қызмет көрсету орталығына хабарласу

**ELECTRIC SYSTEM - IMPIANTO ELETTRICO - ELEKTRISCHE ANLAGE
 - INSTALACIÓN ELÉCTRICA - INSTALLATION ELECTRIQUE - ELEKTRISCH
 E INSTALATIE - SISTEMA ELÉTRICO - EL-ANLÆG - SÄHKÖLAITTEISTO -
 ELEKTRISK ANLEGG - ELANORDNING - INSTALACJA ELEKTRYCZNA -
 ЭЛЕКТРОПРОВОДКА - ELEKTRICKÉ ZAŘÍZENÍ - ELEKTROMOS RENDSZER -
 ELEKTRIČNA NAPELJAVA - ELEKTRİK TESİSATI - ELEKTRIČNI UREĐAJ -
 ELEKTROS SISTEMA - ELEKTRISKĀ SISTĒMA - ELEKTRISŪSTEEM -
 INSTALAȚIA ELECTRICĂ - ELEKTRICKÉ ZARIADENIE - ЭЛЕКТРИЧЕСКА
 ИНСТАЛАЦИЯ - ЕЛЕКТРИЧНЕ ОБЛАДНАННЯ - ELEKTRIČNI UREĐAJ -
 ΗΛΕΚΤΡΙΚΗ ΕΓΚΑΤΑΣΤΑΣΗ - 电路系统 - ЭЛЕКТРЖЕЛІСІ**



17

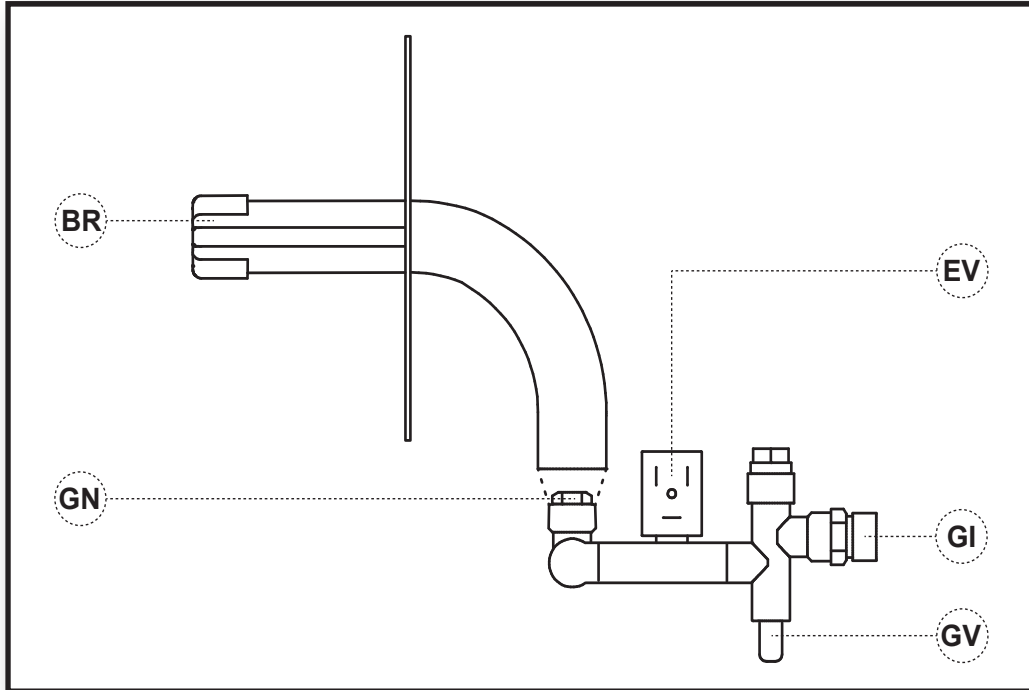


33M - 53M - 73M

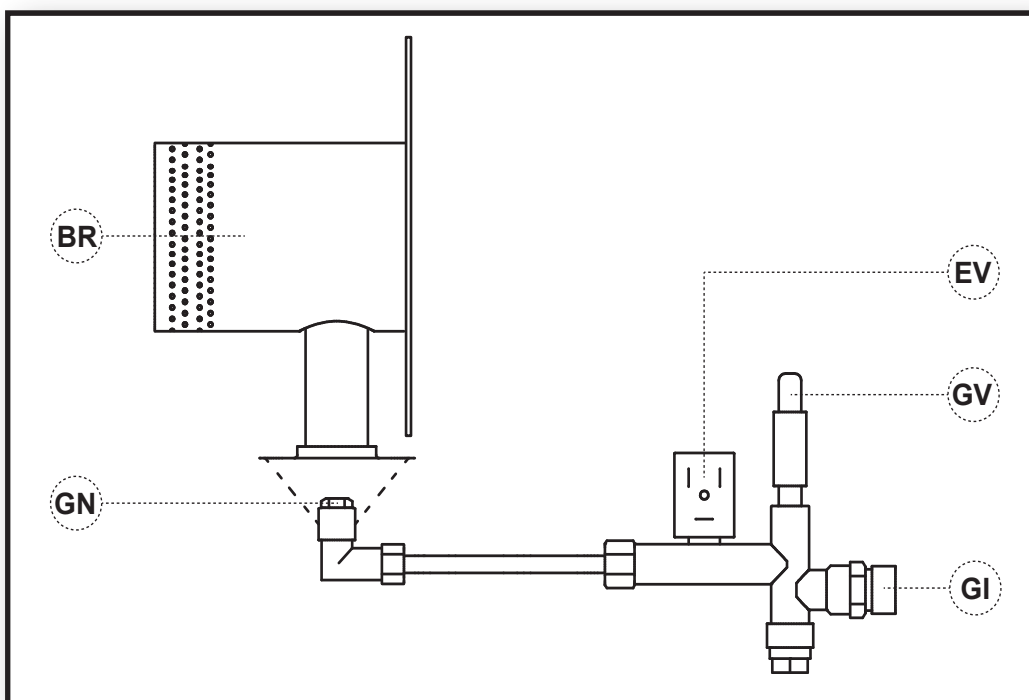
**ELECTRIC SYSTEM - IMPIANTO ELETTRICO - ELEKTRISCHE ANLAGE
 - INSTALACIÓN ELÉCTRICA - INSTALLATION ELECTRIQUE - ELEKTRISCH
 E INSTALLATIE - SISTEMA ELÉTRICO - EL-ANLÆG - SÄHKÖLAITTEISTO -
 ELEKTRISK ANLEGG - ELANORDNING - INSTALACJA ELEKTRYCZNA -
 ЭЛЕКТРОПРОВОДКА - ELEKTRICKÉ ZAŘÍZENÍ - ELEKTROMOS RENDSZER -
 ELEKTRIČNA NAPELJAVA - ELEKTRİK TESİSATI - ELEKTRIČNI UREĐAJ -
 ELEKTROS SISTEMA - ELEKTRISKÄ SYSTEMA - ELEKTRISÜSTEEM -
 INSTALAȚIA ELECTRICĂ - ELEKTRICKÉ ZARIADENIE - ЭЛЕКТРИЧЕСКА
 ИНСТАЛАЦИЯ - ЭЛЕКТРИЧНЕ ОБЛАДНАННЯ - ELEKTRIČNI UREĐAJ -
 ΗΛΕΚΤΡΙΚΗ ΕΓΚΑΤΑΣΤΑΣΗ - 电路系统 - ЭЛЕКТРЖЕЛІСІ**

IN	Switch - Interruttore - Schalter - Interruptor - Interrupteur - Schakelaar - Interrupator - Afbryder - Katkaisin - Bryter - Brytare - Włącznik - Включатель - Vyrínač - Kapcsoló - Stikalo - Açma kapama düğmesi - Prekidač - Jungklis - Slēdzis - Lülitī - Întrerupător - Vyrínač - Прекъсвач - Вимикач - Prekidač - Διακόπτης - 开关 - Қосқыш
M	Motor - Motore - Motor - Motor - Moteur - Motor - Motor - Motor - Moottori - Motor - Motor - Silnik - Двигатель - Motor - Motor - Motor - Motor - Motor - Variklis - Dzinējs - Mootor - Motor - Motor - Двигател - Двигун - Motor - Κινητήρας - 电机 - Мотор
EV	Solenoid valve - Elettrovalvola - Elektroventil - Electroválvula - Électrovalve - Elektroklep - Eletroválvula - Magnetventil - Solenoidiventtiili - Magnetventil - Magnetventil - Zawór elektromagnetyczny - Соленоид - Elektrický ventil - Mágnesszelep - Elektromagnetni ventil - Elektrovalf - Električni ventil - Elektrinis vožtuvas - Elektrovārsts - Solenoidventiil - Electrovalvă - Elektrický ventil - Электророкляпан - Электророкляпан - Električni ventil - Ηλεκτροβαλβίδα - 电磁阀 - Электроромагнитті клапан
IG	Igniter - Accenditore - Anzünder - Encendedor - Allumeur - Ontsteker - Acendedor - Tænder - Sytytin - Tenner - Tändare - Zapalnik - Зажигатель - Zapalovač - Begyújtó kacsoló - Vžigalo - Ateşleyici - Uraljač - Uždegiklis - Uguns slēdzis - Süütur - Aprinzător - Zapařovač - Запалване - П'єзоелектричний - Uraljač - Έναυσμα - 点火器 - Воспламенитель
PZ	Piezoelectric - Piezoelettrico - Piezoelektrisch - Piezoeléctrico - Piézoélectrique - Piézoelektrisch - Piezoeléctrico - Piezoelektrisk - Pietsosähkö - Piezoelektrisk - Pizelektrisk - Piezoelektryczny - Пьезоэлектрический - Piezoelektr. komp. - Pizelektromos kapcsoló - Piezoelektrično vžigalo - Piezoelektrik - Piezoelektrični dio - Pjezoelektrinis įtaisas - Pjezoelektriskā ierīce - Piesoelektriline - Piezoelectric - Piezoelektr. komp. - Пиезоэлектрическа - Zapalьник - Piezoelektrični - Πιεζοηλεκτρικό - 压电开关 - Пьезоэлектрические
TC	Thermocouple - Termocoppia - Thermoelement - Termopar - Thermocouple - Thermokoppel - Termopar - Thermoelement - Lämpöpari - Thermoelement - Thermoelement - Przewód termoelektryczny - Термоэлектрический провод - Termočlánek - Hőelem - Termočlen - Isılçift - Termopar - Termopora - Thermoelements - Thermoelement - Termocuplu - Termočlánok - Термодвойка - Термопара - Termopar - Θερμοστοιχείο - 热电偶 - Термопара
VG	Gas valve - Valvola gas - Gasventil - Válvula de gas - Soupape de gaz - Gasklep - Válvula do gás - Gasventil - Kaasuventtiili - Gassventil - Gasventil - Zawór gazu - Вентиль газа - Plynový ventil - Gázszelep - Plinski ventil - Gaz vanası - Plinski ventil - Dujų vožtuvas - Gāzes vārsts - Gaasiklapp - Valvă gaz - Plynový ventil - Газов клапан - Газовий клапан - Plinski/gasni ventil - Βαλβίδα φυσικού αερίου - 燃气阀门 - Газ клапаны
TS	Safety thermostat - Termostato sicurezza - Sicherheitsthermostat - Termostato de seguridad - Thermostat de sécurité - Veiligheidsthermostaat - Termóstato de segurança - Sikkerhedsthermostat - Turvatermostaatti - Sikkerhetsthermostat - Säkerhetsthermostat - Termostat bezpieczeństwa - Термостат безопасности - Bezpečnostní termostat - Biztonsági termosztát - Varnostni termostat - Emniyet termostati - Sigurnosni termostat - Apsaugos termostatas - Drošības termostats - Ohutusthermostaat - Termostat de siguranță - Bezpečnostný termostat - Предпазен термостат - Запобіжний термостат - Sigurnosni termostat - Θερμοστάτης ασφαλείας - 过热保护 - Қауіпсіздік термостат

**GAS PLANT - IMPIANTO GAS - GASANLAGE - INSTALACIÓN DE GAS -
 SYSTÈME À GAZ - GASINSTALLATIE - SISTEMA DO GÁS - GAS-ANLÆG
 - KAASULAITTEISTO - GASSANLEGG - GASANORDNING - INSTALACJA
 GAZOWA - ГАЗОВАЯ СИСТЕМА - PLYNOVÉ ZAŘÍZENÍ - GÁZ HÁLÓZAT
 - PLINSKI SISTEM - GAZ TESİSATI - UREĐAJ NA PLIN - DUJŪ SISTEMA
 - GĀZES SISTĒMA - GAASISŪSTEEM - INSTALAȚIA DE GAZ - PLYNOVÉ
 ZARIADENIE - ГАЗОВА ИНСТАЛАЦІЯ - ГАЗОВЕ ОБЛАДНАННЯ -
 PLINSKI/GASNI UREĐAJ - ΕΓΚΑΤΑΣΤΑΣΗ ΦΥΣΙΚΟΥ ΑΕΡΙΟΥ - 供气图 -
 ГАЗ ЖҮЙЕСІ**



17

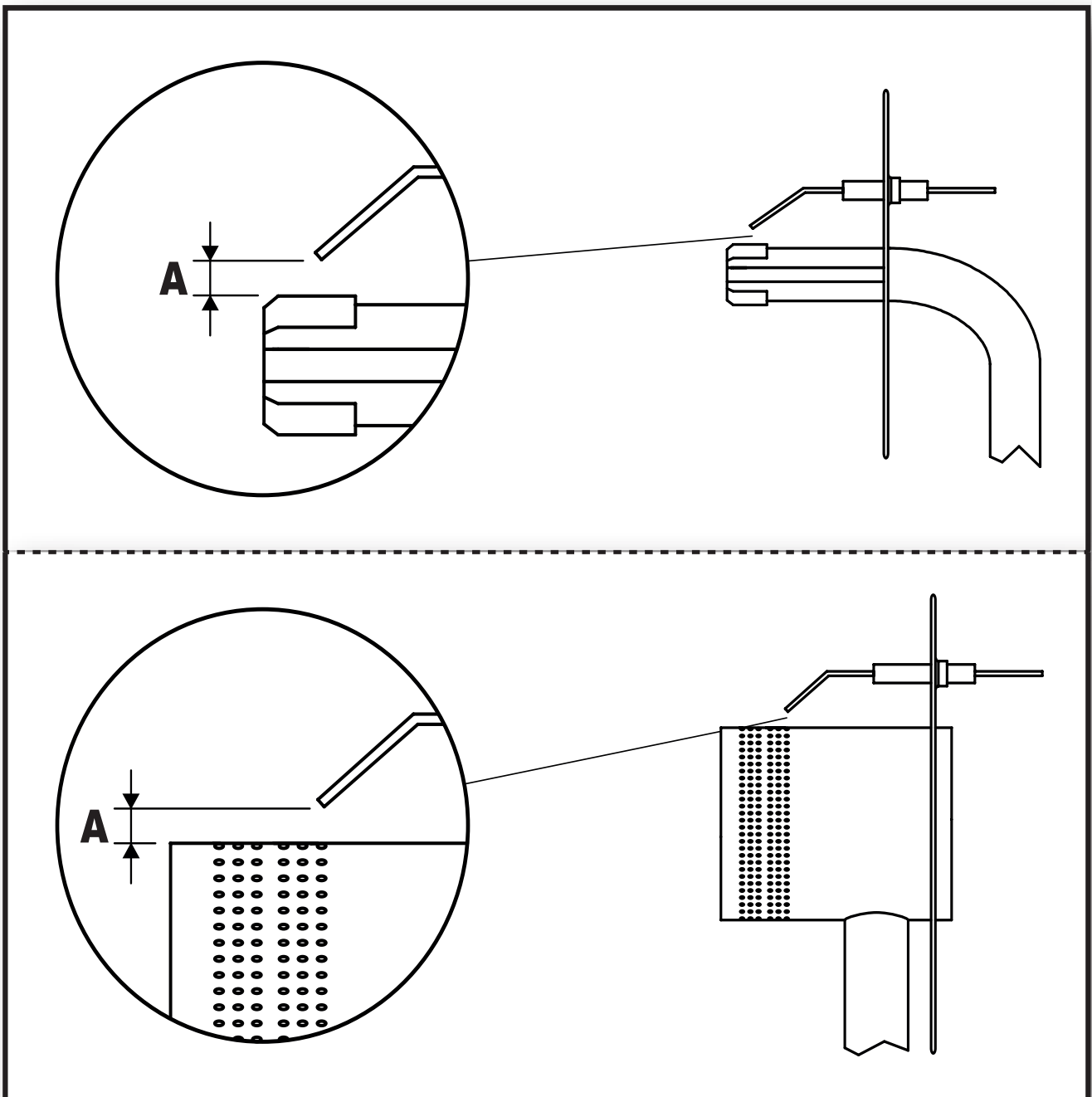


33M - 53M - 73M

**GAS PLANT - IMPIANTO GAS - GASANLAGE - INSTALACIÓN DE GAS -
 SYSTÈME À GAZ - GASINSTALLATIE - SISTEMA DO GÁS - GAS-ANLÆG
 - KAASULAITTEISTO - GASSANLEGG - GASANORDNING - INSTALACJA
 GAZOWA - ГАЗОВАЯ СИСТЕМА - PLYNOVÉ ZAŘÍZENÍ - GÁZ HÁLÓZAT
 - PLINSKI SISTEM - GAZ TESÍSATI - UREĐAJ NA PLIN - DUJŮ SISTEMA
 - GĀZES SISTĒMA - GAASISŪSTEEM - INSTALAȚIA DE GAZ - PLYNOVÉ
 ZARIADENIE - ГАЗОВА ИНСТАЛАЦИЯ - ГАЗОВЕ ОБЛАДНАННЯ -
 PLINSKI/GASNI UREĐAJ - ΕΓΚΑΤΑΣΤΑΣΗ ΦΥΣΙΚΟΥ ΑΕΡΙΟΥ - 供气图 -
 ГАЗ ЖҮЙЕСИ**

GI	Gas inlet fitting - Raccordo entrata gas - Anschluss Gaszufuhr - Racor de entrada del gas - Raccord entrée gaz - Koppeling gasingang - Ligação da entrada de gás - Gastilførselssamling - Kaasun sisäänmenoliitos - Kobling gassinløp - Kopplingsrör gasinlopp - Wlot gazu złączka - Вход газа ниппель - Spoj přívod plynu - Bemenő oldali gázcsomk - Vhodni priključek za plin - Gaz giriş rakoru - Spojnica ulaza za plin - Dujų įleidimo jungtis - Gāzes ieejas savienojums - Gaasi sissevooluliitmik - Racord intrare gaz - Spoj prívod plynu - Съединение подаване газ - Патрубок подачі газу - Plinska/gasna ulazna spojka - Σύνδεση εισόδου φυσικού αερίου - 进气套件 - Газ құятын фитингтер
GV	Gas valve - Valvola gas - Gasventil- Válvula de gas - Valve du gaz - Gasklep - Válvula do gás - Gasventil - Kaasuventtiili - Gassventil - Gasventil - Zawór gazu - Вентиль газа - Plynový ventil - Gázszelep - Plinski ventil - Gaz vanası - Ventil za plin - Dujų vožtuvas - Gāzes vārsts - Gaasiklapp - Valvã gaz - Plynový ventil - Газов клапан - Газовий клапан - Plinski/gasni ventil - Βαλβίδα φυσικού αερίου - 气阀 - Газ клапаны
EV	Solenoid valve - Elettrovalvola - Elektroventil - Electroválvula - Électrovalve - Elektroklep - Eletroválvula - Magnetventil - Solenoidiventtiili - Magnetventil - Magnetventil - Zawór elektromagnetyczny - Соленоид - Elektrický ventil - Mágnesszelep - Elektromagnetni ventil - Elektrovalf - Električni ventil - Elektrinis vožtuvas - Elektrovārsts - Solenoidventiil - Electrovalvã - Elektrický ventil - Електроклапан - Електроклапан - Električni ventil - Ηλεκτροβαλβίδα - 电磁阀 - Электромагнитті клапан
GT	Gas cock - Rubinetto gas - Gashahn - Llave de gas - Robinet du gaz - Gaskraan - Torneira do gás - Gashane - Kaasuhana - Gasskran - Gaskran - Kurek gazu - Краник газа - Plynový kohout - Gázcsap - Plinska pipa - Gaz musluğu - Slavina za plin - Dujų kranelis - Gāzes krāns - Gaasikraan - Robinet de gaz - Plynový kohútik - Кран за газ - Газовий вентиль - Slavina za plin/gas - Στρόφιγγα φυσικού αερίου - 燃气开关 - Газ краны
GN	Gas nozzle - Ugello gas - Gasdüse - Tobera de gas - Gicleur gaz - Gasstraalpijp - Bico ejetor de gás - Gasdyse - Kaasusuutin - Gassdyse - Gasmunstycke - Dysza gazu - Сопло газа - Plynová tryska - Gáz fúvóka - Plinska šoba - Gaz nozulu - Mlaznica plina - Dujų purkštukas - Gāzes izplūdes caurums - Gaasidüüs - Duzã gaz - Plynová tryska - Дюза за газ - Газова форсунка - Mlaznica plina/gasa - Ακροφύσιο φυσικού αερίου - 进气口 - Газ саптама
BR	Burner - Bruciatore - Brenner - Quemador - Bruleur - Brander - Queimador - Brænder - Poltin - Brenner - Brännare - Palnik - Горелка - Hořák - Égő - Gorilnik - Brülör - Plamenik - Degiklis - Deglis - Põleti - Arzător - Horák - Горелка - Пальник - Gorionik - Καυστήρας - 燃烧器 - Оттық

ELECTRODES REGULATION - REGOLAZIONE ELETTRODI - REGULIERUNG DER ELEKTRODEN - REGULACIÓN DE LOS ELECTRODOS - REGULATION DES ELECTRODES - AFSTELLING ELEKTRODEN - REGULAÇÃO DE ELÉTRODOS - REGULERING AF ELEKTRODER - ELEKTRODIEN SÄÄTÖ - REGULERING AV ELEKTRODER - ELEKTRODREGLERING - REGULACJA ELEKTROD - РЕГУЛЯЦИЯ ЭЛЕКТРОДОВ - NASTAVENÍ ELEKTROD - AZ ELEKTRÓDÁK BEÁLLÍTÁSA - NASTAVITEV ELEKTROD - ELEKTROT AYARI - REGULIRANJE ELEKTRODA - ELEKTRODU REGULIAVIMAS - ELEKTRODU REGULĚŠANA - ELEKTROODIDE REGULEERIMINE - REGLAREA ELECTROZILOR - NASTAVENIE ELEKTRÓD - РЕГУЛІРАНЕ ЕЛЕКТРОДИ - РЕГУЛЮВАННЯ ЕЛЕКТРОДОВ - KONTROLA ELEKTRODE - ΡΥΘΜΙΣΗ ΗΛΕΚΤΡΟΔΙΩΝ - 电极规定 - ЭЛЕКТРОДТАРДЫ РЕТТЕУ



A = 4 ÷ 6 mm-MM



CE CONFORMITY CERTIFICATE - DICHIARAZIONE DI CONFORMITÀ CE - EG-KONFORMITÄT SERKLÄRUNG - DECLARACIÓN DE CONFORMIDAD CE - DECLARATION DE CONFORMITE CE - EG-CONFORMITEITVERKLARING - DECLARAÇÃO DE CONFORMIDADE CE - EU-OVERENSSTEMMELSESERKLÆRING - EY-VAATIMUSTENMUKAISUUSVAKUUTUS - CE-SAMSVARERKLÆRING - EG-FÖRSÄKRAN OM ÖVERENSSTÄMMELSE - DEKLARACJA ZGODNOŚCI WE - ДЕКЛАРАЦИЯ О СООТВЕТСТВИИ CE - PROHLÁŠENÍ O SHODĚ CE - EK MEGFELELŐSÉGI NYILATKOZAT - IZJAVA O SKLADNOSTI IN OZNAKA CE - CE UYGUNLUK BEYANI - IZJAVA CE O SUKLADNOSTI - ES ATITIKTIES DEKLARACIJA - EK ATBILSTĪBAS - DEKLARĀCIJA - EÜ VASTAVUSDEKLARATSIOON - DECLARAȚIE DE CONFORMITATE CE - PREHLÁSENIE O ZHODE CE - ДЕКЛАРАЦИЯ ЗА СЪВМЕСТИМОСТ CE - ДЕКЛАРАЦИЯ ВІДПОВІДНОСТІ CE - IZJAVA CE O PRIKLADNOSTI ΔΗΛΩΣΗ ΣΥΜΜΟΡΦΩΣΗΣ CE - CE 符合性声明

MCS ITALY S.p.A. Via Gardesana 11, -37010- Pastrengo (VR), ITALY

Product: - Prodotto: - Produkt: - Producto: - Produït: - Product: - Produto: - Produkt: - Tuote: - Produkt: - Produkt: - Produkt: - Изделие: - Výrobek: - Termék: - Izdelek: - Ürün: - Proizvod: - Gaminys: - Ierīce: - Toode: - Produsul: - Výrobok: - Продукт: - Вириб: - Proizvod: - Προϊόν: - 产品:

17 - 33M - 53M - 73M

We declare that it is compliant with: - Si dichiara che è conforme a: - Es wird als konform mit den folgenden Normen erklärt: - Se declara que está en conformidad con: - Nous déclarons sa conformité à: - Hierbij wordt verklaard dat het product conform is met: - Declara-se que está em conformidade com: - Vi erklærer at produktet er i overensstemmelse med: - Vakuutetaan olevan yhdenmukainen: - Man erklærer at apparatet er i overensstemmelse med: - Härmed intygas det att produkten är förenlig med följande: - Oświadczam, że jest zgodny z: - Заявляем о соответствии требованиям: - Prohlašuje se, že je v souladu s: - Kijelentjük, hogy a termék megfelel az alábbiaknak: - Izpolnjuje zahteve: - Aşağıdaki standartlara uygun olduğunu beyan ederiz: - Izjavljuje se da je u skladu s: - Pareiškiame, kad atitinka: - Tiek deklarēts, ka atbilst: - Käesolevaga deklareeritakse, et toode vastab: - Declarăm că este conform următoarelor: - Prehlasuje sa, že je v súlade s: - Декларира се че отговаря на: - Відповідає вимогам: - Izjavljuje se da je u skladu s: - Δηλώνουμε ότι είναι σύμφωνο με: - 兹证明符合:

2014/30/EC, 2014/35/EC, 2009/142/EC, 2011/65/EC, 2009/125/EC

**EN 62233:2008, EN 61000-3-2:2014, EN 61000-3-3:2013,
EN 55014-1:2006/A2:2011, EN 55014-2:2015, EN 60335-1:2012/A11:2014,
EN 60335-2-102:2016, EN 1596:1998/A1:2004, EN 50581:2012, EN 327:2011**

Pastrengo, 18/1/2017

Stefano Verani (CEO MCS Group)

► en - LIMITED WARRANTY AND AFTER-SALES SERVICE

KEEP THIS LIMITED WARRANTY

During the period of twelve (12) months starting from the date of purchase of this product, the manufacturer guarantees that the appliance, all of its parts, do not have flaws due to manufacturing or the materials used, as long as the appliance has been used following the instructions and maintenance indicated in the manual. This warranty is only valid for the original purchaser of the appliance, which must present the purchase invoice. This warranty only includes the cost of the parts necessary to return the appliance to its normal functioning state. Therefore, costs relative to transport or other material associated with the parts covered by this warranty are excluded. The faults produced by incorrect use, manipulation, negligence, insufficient maintenance, alterations, modifications, normal wear of the product are not covered by this warranty, as also the use of non-compliant fuel, repairs using non-original spare parts or repairs performed by staff not working for the dealer or the authorised technical after-sales service. Routine maintenance is the owner's responsibility. The manufacturer does not guarantee, nor is directly or indirectly responsible, for any other warranty including that of a commercial nature or for appropriation for a particular use. In no case is the manufacturer liable for direct, indirect, accidental or consequent damage, deriving from use of the appliance. The manufacturer reserves the right to modify this warranty at any time and without forewarning. This is the only valid warranty. The manufacturer does not assume any expressed or implicit warranty.

► it - GARANZIA LIMITATA E SERVIZIO ASSISTENZA SERVICE

CONSERVARE LA PRESENTE GARANZIA LIMITATA

Durante il periodo di dodici (12) mesi a partire dalla data di acquisto di questo prodotto, il costruttore garantisce che l'apparecchio, come ogni sua parte, non presenta difetti dovuti alla fabbricazione o ai materiali utilizzati, sempre che lo stesso sia stato usato seguendo le istruzioni di funzionamento e mantenimento indicate nel manuale. La presente garanzia si estende unicamente al compratore originale dell'apparecchio, il quale dovrà presentare la fattura di acquisto. La presente garanzia include solo il costo delle parti necessarie per restituire l'apparecchio nel suo stato normale di funzionamento. Restano pertanto esclusi i costi relativi ai trasporti o altro materiale associato con le parti coperte dalla presente garanzia. Sono escluse dalla copertura di garanzia, le avarie prodotte da errato uso, manipolazioni, negligenza, manutenzione insufficiente, alterazioni, modificazioni, normale usura del prodotto, così anche per l'uso di combustibile non conforme, riparazioni con ricambi inadeguati o per riparazioni fatte da personale differente dal distributore o dal servizio tecnico autorizzato. La normale manutenzione è a carico del proprietario. Il costruttore non garantisce, né si fa carico diretto o indiretto, di nessuna altra garanzia inclusa quella di carattere commerciale o per l'appropriazione per una particolare utilizzazione. In nessun caso il costruttore sarà responsabile per i danni diretti, indiretti, accidentali o conseguenti, derivanti dall'uso dell'apparecchio. Il costruttore si riserva il diritto di modificare in qualsiasi momento e senza preavviso la presente garanzia. L'unica garanzia valida è la presente scrittura, il costruttore non assume nessuna garanzia espressa o implicita.

► de - BESCHRÄNKTE GARANTIE UND KUNDENDIENST

VORLIEGENDE BESCHRÄNKTE GARANTIE GUT AUFBEWAHREN

Während der Garantie von zwölf (12) Monaten, ab Kaufdatum dieses Produkts, garantiert die Herstellerfirma, dass das Gerät und seine Bauteile keine Defekte verursacht durch Herstellung oder aufgrund verwendeter Materialien aufweist. Voraussetzung hierfür ist die Befolgung der im Handbuch angegebenen Betriebs- und Wartungsanleitungen. Die vorliegende Garantie gilt ausschließlich für die ursprünglichen KäuferInnen des Geräts. Hierfür muss die Rechnung vorgelegt werden. Eingeschlossen von der vorliegenden Garantie sind nur die Kosten für die Bauteile, welche notwendig sind, damit das Gerät seinen ordnungsgemäßen Betrieb wieder aufnehmen kann. Ausgeschlossen von der Garantie sind Transportkosten oder Kosten für Materialien, welche an die von der Garantie abgedeckten Bauteile gebunden sind. Ausgeschlossen von der Garantie sind Schäden die durch falschen Gebrauch, nicht autorisierte Eingriffe und Veränderungen, Vernachlässigung sowie unzureichende Wartung, Modifizierungen und die normale Abnutzung des Produkts verursacht werden. Gleichermaßen ausgeschlossen sind Schäden, die durch die Verwendung von nicht geeigneten Brennstoffen sowie Reparaturen mit Verwendung ungeeigneter Ersatzteile oder durchgeführt von Personen, die nicht zur Herstellungsfirma oder autorisierten Kundendiensten gehören. Die normale Wartung liegt in der Verantwortung der BesitzerInnen. Die Herstellerfirma gibt keine weitere direkte oder indirekte Garantie bezüglich des Vertriebs oder des Einsatzes für eine spezielle Verwendung des Geräts. In keinem Fall übernimmt die Herstellerfirma die Verantwortung für direkte oder indirekte Schäden, Unfälle oder Folgen, die durch den Gebrauch des Gerätes entstehen können. Die Herstellerfirma behält sich das Recht vor zu jeder Zeit und ohne Vorankündigung die vorliegende Garantie ändern zu können. Das vorliegende Schriftstück ist die einzig gültige Garantie und die Herstellerfirma übernimmt keine weitere ausdrückliche oder implizierte Garantie.

► es - GARANTÍA LIMITADA Y SERVICIO DE ASISTENCIA SERVICE

CONSERVE LA PRESENTE GARANTÍA LIMITADA

Durante el período de doce (12) meses a partir de la fecha de compra de este producto, el fabricante garantiza que el equipo, y todas sus partes, no presentan defectos debidos a la fabricación o a los materiales empleados, siempre que el mismo se use en el respeto de las instrucciones de funcionamiento y mantenimiento indicadas en el manual. Esta garantía se extiende solo al comprador original del equipo, el cual debe presentar la factura de compra. La presente garantía incluye solo el coste de las partes necesarias para que el equipo vuelva a funcionar normalmente. Por lo tanto se excluyen los costes relativos a los transportes o a otro material asociado con las partes cubiertas por la garantía. La garantía no cubre las averías producidas por el uso incorrecto, las manipulaciones, la negligencia, el mantenimiento insuficiente, las alteraciones, las modificaciones, el desgaste normal del producto, el uso de un combustible no conforme, las reparaciones con recambios inadecuados o las reparaciones hechas por personal diferente del distribuidor o del servicio técnico autorizado. El mantenimiento ordinario es a cargo del propietario. El fabricante no

garantiza, ni se hace cargo directo o indirecto de ninguna otra garantía incluyendo la de carácter comercial o por la apropiación de un uso particular. El fabricante no es responsable por ninguna razón de los daños directos, indirectos, accidentales o consiguientes, debidos al uso del equipo. El fabricante se reserva el derecho de modificar la presente garantía en cualquier momento y sin previo aviso. La única garantía válida es la presente escritura, el fabricante no asume ninguna garantía expresa o implícita.

► fr - GARANTIE ET SERVICE APRES-VENTE
CONSERVER CETTE GARANTIE LIMITÉE

Pendant une durée de douze (12) mois à partir de la date de l'achat de ce produit, le constructeur garantit que l'appareil, comme tout élément qui le compose, sont exempts de vices de matière et défauts de main d'œuvre, à condition que l'appareil fonctionne et soit entretenu conformément aux instructions de fonctionnement et de maintenance illustrées dans ce manuel. Cette garantie s'étend uniquement au premier acheteur de l'appareil, qui devra présenter la facture d'achat. La présente garantie inclut seulement le coût des parties nécessaires pour restituer l'appareil dans son normal état de fonctionnement. Sont exclus donc le coût relatif au transport ou autre matériel associé avec des parties couvertes par la présente garantie. Cette garantie ne couvre pas les défauts qui résultent d'une utilisation abusive, de mauvais traitement, de négligences, d'accidents, d'absence d'entretien correct, ni l'usure normale, la modification, l'altération, l'utilisation de combustible non conforme, les réparations à l'aide de pièce inadéquate ou les réparations par une autre personne que le revendeur ou le service après vente autorisé. L'entretien normal s'opère sous la responsabilité du propriétaire. Le constructeur ne garantit pas ni prend en charge directement ou indirectement de tout autre garantie incluse la garantie commerciale ou d'appropriation pour une utilisation particulière. Le constructeur ne prend aucune responsabilité pour les dommages directs, indirect, incidents ou conséquents, qui dérivent de l'utilisation de l'appareil. Le constructeur se réserve le droit de modifier les présentes spécifications à tout moment quelconque sans préavis. La seule garantie applicable est cette garantie écrite. Le constructeur ne fait aucune garantie expresse ou implicite.

► nl - BEPERKTE GARANTIE EN TECHNISCHE DIENST
ONDERHAVIGE BEPERKTE GARANTIE MOET WORDEN BEWAARD

Gedurende een periode van twaalf (12) maanden vanaf de datum van aankoop van dit product garandeert de constructeur dat het toestel evenals elk onderdeel ervan geen defecten vertoont te wijten aan fabricatiefouten of aan de gebruikte materialen, zolang het toestel gebruikt wordt volgens de instructies voor werking en onderhoud die in de handleiding worden gegeven. Deze garantie heeft enkel betrekking op de oorspronkelijke koper van het toestel, die de aankoopfactuur moet kunnen voorleggen. Deze garantie omvat enkel de kosten voor de onderdelen die nodig zijn om het toestel weer in zijn normale werkingsstatus te herstellen. De kosten met betrekking tot transport of ander materiaal dat betrekking heeft op de onderdelen die door deze garantie gedekt zijn, blijven van deze garantie uitgesloten. De schade die voortvloeit uit een foutief gebruik, forceren, veronachtzaming, onvoldoende onderhoud, aanpassingen, wijzigingen, en normale slijtage van het product zijn niet door de garantie gedekt, evenals schade door gebruik van brandstof die niet conform is, reparaties met ongeschikte wisselstukken of wegens reparaties uitgevoerd door ander personeel dan die van de verdeler of van de bevoegde technische dienst. Het gewone onderhoud is voor rekening van de eigenaar. De constructeur garandeert geen enkele andere garantie, en neemt die ook niet rechtstreeks of onrechtstreeks op zich, met inbegrip van commerciële garantie of voor de aanpassing voor een specifieke toepassing. De constructeur is in geen enkel geval verantwoordelijk voor rechtstreekse, onrechtstreekse, onopzettelijke of andere schade die voortvloeit uit het gebruik van het toestel. De constructeur behoudt zich het recht voor om op elk ogenblik en zonder vooraf te verwittigen deze garantie te wijzigen. De enige geldige garantie is dit geschreven document, de constructeur verzekert geen enkele speciale of impliciete garantie.

► pt - GARANTIA LIMITADA E SERVIÇO DE ASSISTÊNCIA SERVIÇO
CONSERVAR A PRESENTE GARANTIA LIMITADA

Durante o período de doze (12) meses a partir da data de aquisição deste produto, o fabricante garante que o aparelho, como suas partes, não apresenta defeitos devidos à fabricação ou materiais utilizados, desde que seja utilizado segundo as instruções de funcionamento e manutenção indicadas no manual. A presente garantia estende-se unicamente ao comprador original do aparelho, que deve apresentar a fatura de compra. A presente garantia inclui somente o custo das partes necessárias para restituir o aparelho em seu estado normal de funcionamento. Portanto, estão excluídos os custos referentes ao transporte ou outro material associado com as partes cobertas pela presente garantia. Estão excluídas da garantia as avarias produzidas por uso errado, manipulações, negligência, manutenção insuficiente, alterações, modificações, desgaste normal do produto, assim como para o uso de combustível não em conformidade, consertos com peças inadequadas ou por consertos feitos por pessoas que não sejam o distribuidor ou o serviço técnico autorizado. A normal manutenção é por conta do proprietário. O fabricante não garante, e não se responsabiliza direta ou indiretamente, por outras garantias, inclusive a de caráter comercial, ou por usos diversos. De modo algum o fabricante é responsável por danos diretos, indiretos, acidentais ou consequências devido ao uso do aparelho. O fabricante reserva-se o direito de efetuar modificações na presente garantia a qualquer momento e sem prévio aviso. Este documento representa a única garantia válida e o fabricante não assume nenhuma garantia expressa ou implícita.

► da - BEGRÆNSET GARANTI OG ASSISTANCESERVICE
GEM DENNE BEGRÆNSEDE GARANTI

I en periode på tolv (12) måneder fra købsdatoen garanterer fabrikanten, at apparatet og alle dets dele er fri for defekter i udførsel og materiale, forudsat at apparatet har været anvendt i overensstemmelse med manualens drifts- og vedligeholdelsesinstrukser. Denne garanti gælder udelukkende for den oprindelige køber, der skal fremvise købsfaktura. Garantien omfatter kun udgifter til

de reservedele, der er nødvendige for at bringe apparatet tilbage i normal driftstilstand. Fragtomkostninger og andet materiale forbundet med delene, der dækkes af denne garanti, er derfor ikke inkluderet. Garantien dækker ikke fejl, der skyldes forkert brug, misbrug, uagtsomhed, utilstrækkelig vedligeholdelse, ændringer, normalt slid samt anvendelse af ikke-egnet brændstof, reparationer udført med uegnede reservedele eller reparationer foretaget af andre end forhandlerens eller teknisk assistances personale. Den almindelige vedligeholdelse skal afholdes af ejeren. Fabrikanten garanterer eller påtager sig ikke direkte eller indirekte nogen anden garanti, herunder garantier for salgbarhed eller for egnethed til et bestemt formål. Fabrikanten kan under ingen omstændigheder holdes ansvarlig for direkte, indirekte, utilsigtede skader eller skader som følge af brug af apparatet. Fabrikanten forbeholder sig ret til at ændre nærværende garanti på et hvilket som helst tidspunkt og uden forudgående varsel. Kun den nærværende garanti er gyldig, fabrikanten påtager sig ingen udtrykkelige eller underforståede garantier.

► fi - RAJOITETTU TAKUU JA HUOLTOPALVELU
SÄILYTÄ TÄMÄ RAJOITETTU TAKUU

Valmistaja takaa kahdentoista (12) kuukauden ajalle tämän tuotteen hankintapäivästä lähtien, että laitteessa ja kaikissa siihen kuuluissa osissa ei esiinny valmistukseen tai käyttöihin materiaaleihin liittyviä vikoja jos sitä on käytetty käyttöoppaassa annettujen käyttö- ja huolto-ohjeiden mukaisesti. Tämä takuu annetaan yksinomaan alkuperäiselle laitteen hankkijalle, jonka todistuksena on oltava ostokuitti. Tämän takuun piiriin kuuluu vain tarvittavien osien hinta, jotta laitteen normaali toiminta saataisiin palautettua ennalleen. Toimitukseen tai muihin materiaaleihin liittyvät kustannukset eivät näin ollen kuulu tämän takuun piiriin. Takuun piiriin eivät kuulu tuotteen väärästä käytöstä, peukaloinnista, huolimattomuudesta, riittämättömästä huollosta, vaihdoista, muutoksista, tuotteen normaalista käytöstä kuten myös ei-yhdenmukaisen polttoaineen käytöstä, väärin tehdyistä korjaustoimenpiteistä tai muiden kuin jälleenmyyjän osoittamien huoltohenkilöiden tai valtuutetun teknisen huollon suorittamista korjaustoimenpiteistä aiheutuvat viat. Säännöllinen huolto kuuluu valmistajan tehtäväksi. Valmistaja ei takaa eikä vastaa suoraan tai epäsuoraan mistään muusta takuusta mukaan lukien kaupallinen takuu tai sen haltuunotto erityistä käyttöä varten. Missään tapauksessa valmistaja ei ole vastuussa suorista, epäsuorista, vahingossa syntyvistä tai laitteen käytöstä johtuvista vahingoista. Valmistaja pidättää oikeuden muuttaa tätä takuuta milloin tahansa ilman erillistä ilmoitusta. Kyseinen takuu on ainoa voimassa oleva. Valmistaja ei anna mitään nimenomaista tai viitteellistä takuuta.

► no - BEGRENSET GARANTI OG ETTERSALGSSERVICE
TA VARE PÅ DENNE GARANTIEN

I løpet av tolv (12) måneder fra salgsdatoen til dette produktet, garanterer produsenten at apparatet, og alle dens deler, ikke har feil på grunn av produksjon eller materialer som brukes, så lenge apparatet har vært brukt ved å følge instruksjonene for drift og vedlikehold angitt i manualen. Denne garantien er kun gyldig for den første kjøperen av apparatet som også må presentere fakturaen. Denne garantien omfatter kun kostnaden av de delene som er nødvendig for å sette apparatet tilbake i normal driftsstatus. Derfor er kostnader som gjelder transport eller annet materiale til de delene som dekkes av garantien utelatt. Feil som oppstår på grunn av feil bruk, manipulering, uaktsomhet, utilstrekkelig vedlikehold, endringer og normal slitasje av produktet omfattes ikke av denne garantien. Dette gjelder også ved bruk av feil brennstoff, reparasjoner som utføres med uegnede reservedeler eller reparasjoner som utføres av uautoriserte personer. Normalt vedlikehold er eierens ansvar. Produsenten garanterer ikke, og påtar seg heller ikke direkte eller indirekte ansvar for andre garantier, inkludert kommersielle garantier eller for tilegnelse for en bestemt bruk. Ikke i noe tilfelle er produsenten ansvarlig for direkte, indirekte, tilfeldige eller påfølgende skader, som stammer fra bruk av apparatet. Produsenten forbeholder seg retten til å endre denne garantien når som helst og uten forvarsel. Dette er den eneste gyldige garantien. Produsenten påtar seg ikke noe uttrykt eller underforstått garanti.

► sv - BEGRÄNSAD GARANTI OCH SUPPORT SERVICE
FÖRVARA DEN BEGRÄNSADE GARANTISEDELN

Under en tidsperiod om tolv (12) år från och med inköpsdatumet för produkten garanterar tillverkaren att apparaten och samtliga av dess delar inte uppvisar brister som kan tillskrivas tillverkningen eller använda material, på villkor att produkten har använts genom att följa instruktionerna för drift och underhåll som anges i manualen. Garantin täcker endast apparatens ursprungliga köpare som även bör uppvisa inköpsfaktura. Garantin täcker bara kostnaden för delar som krävs för att återställa apparaten till sitt normala driftsskick. Därmed utesluts kostnaderna för frakt eller för övriga material som förknippas med dem som täcks av denna garanti. Från garantitäckningen utesluts även produkter som använts felaktigt, manipuleringar, försumlighet, otillräckligt underhåll, försämringar, förändringar, normalslitage av produkten, såsom en oförenlig bränsleanvändning, reparationer med olämpliga reservdelar eller som ingår i reparationer som utförts av annan personal än återförsäljaren och den auktoriserade serviceteknikern. Det normala underhållet tillkommer kunden. Tillverkaren garanterar inte och tar inte heller direkt eller indirekt ansvar för någon annan garanti som ingår i den kommersiella garantin eller för ett beslagtagande för en viss användning. Tillverkaren är på inga villkor ansvarig för direkta, indirekta, oavsiktliga eller resulterande skador som uppkommit från en användning av apparaten. Tillverkaren förbehåller sig rätten att när som helst och utan förvarning ändra denna garanti. Denna skrift utgör den enda giltiga garantin och tillverkaren tar inte på sig någon uttrycklig eller implicit garanti.

► pl - OGRANICZONA GWARANCJA I SERWIS POSPRZEDAŻOWY
ZACHOWAJ NIENIEJSZĄ GWARANCJĘ

Producent zapewnia, że niniejszy produkt jest wolny od wad fabrycznych i udziela (12) miesięcznego okresu gwarancji od momentu zakupu produktu pod warunkiem, że urządzenie będzie eksploatowane i konserwowane zgodnie z zaleceniami zawartymi w

podręczniku użytkownika. Niniejsza gwarancja dotyczy wyłącznie oryginalnego zakupu i jest ważna tylko z fakturą sprzedaży. Gwarancja obejmuje tylko koszty części niezbędnych do przywrócenia urządzenia do stanu normalnego funkcjonowania. Niniejsza gwarancja nie obejmuje kosztów związanych z transportem lub innymi materiałami związanymi z częściami objętymi niniejszą gwarancją. Usterki wynikłe na skutek nieprawidłowej eksploatacji, zaniedbań, niedostatecznej konserwacji, przeróbek i modyfikacji, normalnego zużycia urządzenia jak również stosowania paliwa niezgodnego ze specyfikacją, napraw z użyciem nieoryginalnych części zamiennych lub napraw wykonanych przez osoby do tego nieupoważnione nie są objęte usługą gwarancyjną. Rutynowa konserwacja leży w gestii posiadacza urządzenia. Producent nie udziela gwarancji ani nie bierze bezpośredniej ani pośredniej odpowiedzialności za każdą inną wydaną gwarancję wliczając gwarancje natury handlowej. W żadnym wypadku producent nie ponosi odpowiedzialności za bezpośrednie, pośrednie, przypadkowe uszkodzenia wynikłe w trakcie użytkowania urządzenia. Producent zastrzega sobie prawo do zmiany niniejszej gwarancji w dowolnym czasie i bez uprzedniego zawiadomienia. Niniejsza gwarancja jest jedyną obowiązującą. Producent nie uznaje żadnej innej gwarancji wyrażonej lub dorozumianej.

► ru - ОГРАНИЧЕННАЯ ГАРАНТИЯ И ПОСЛЕПРОДАЖНОЕ СЕРВИСНОЕ ОБСЛУЖИВАНИЕ СОХРАНИТЕ ДАННУЮ ИНСТРУКЦИЮ НА БУДУЩЕЕ

Производитель гарантирует, что данный продукт не имеет фабричных дефектов и недостатков, и тем самым предоставляет на него 12-месячную гарантию от момента покупки продукта при условии, что прибор будет использоваться и проходить техобслуживание согласно рекомендациям, содержащимся в руководстве для пользователя. Данная гарантия распространяется исключительно на оригинальный купленный продукт и действительна только при наличии документа, подтверждающего покупку (инвойс). Гарантия распространяется только на части, необходимые для обеспечения прибора нормального состояния функционирования. Данная гарантия не предусматривает покрытие расходов, связанных с транспортом или другими материалами, связанными с частями, на которые данная гарантия распространяется. Гарантия не будет распространяться на неисправности, возникшие в результате неправильной эксплуатации, пренебрежительного отношения, неправильного техобслуживания, переработок и модификаций, нормального износа прибора, а также применения топлива, не соответствующего данным в спецификации, ремонтов с использованием неоригинальных запчастей или ремонтов, выполненных некомпетентными лицами. Обычные периодические работы по техобслуживанию относятся к сфере обязанностей владельца прибора. Производитель не предоставляет гарантии и не берет на себя ни косвенной, ни непосредственной ответственности за любую другую выданную гарантию, в том числе гарантию коммерческого характера. Ни в коем случае производитель не несет ответственности за непосредственные, косвенные, случайные повреждения, возникшие в процессе эксплуатации прибора. Производитель оставляет за собой право вносить изменения в данной гарантии в любой момент и без предварительного предупреждения. Данная гарантия является единственной действующей гарантией. Производитель не признает никакой другой гарантии, выраженной или подразумеваемой.

► cs - OMEZENÁ ZÁRUKA A ASISTENČNÍ SLUŽBA UCHOVÁVEJTE TUTO OMEZENOU ZÁRUKU

Během období dvanácti (12) měsíců od data nákupu tohoto produktu výrobce zaručuje, že zařízení, jako všechny jeho části, je bez vad vzniklých v důsledku výroby nebo použitých materiálů, za předpokladu, že samotný přístroj byl používán podle pokynů v příručce na provoz a údržbu. Tato záruka se vztahuje pouze na původního nákupce přístroje, který musí předložit fakturu o zakoupení. Tato záruka pokrývá pouze náklady dílů nezbytných pro navrácení výrobku do normálního stavu fungování. Proto vylučuje náklady na dopravu či dalších materiálů, spojených s částmi, na něž se vztahuje tato záruka. Ze záruky jsou vyloučena poškození, způsobená nesprávným používáním, nedbalostí, špatnou údržbou, modifikacemi a úpravami, běžným opotřebením výrobku; jakož i škody, zapříčiněné používáním nevhodného paliva, opravami s nevhodnými náhradními díly anebo opravami, prováděnými personálem odlišným od personálu prodejce anebo autorizované technické servisní služby. Běžná údržba je úkolem majitele. Výrobce nezaručuje ani nepřebírá, přímo či nepřímo, jakékoli jiné záruky, včetně záruky obchodní povahy anebo záruky pro přizpůsobení výrobku na zvláštní použití. Výrobce není v žádném případě odpovědný za jakékoliv přímé, nepřímé, náhodné nebo následné škody, vyplývající z použití zařízení. Výrobce si vyhrazuje právo kdykoliv a bez předchozího upozornění změnit tuto záruku. Jedinou platnou zárukou je tato písemná listina, výrobce neuznává žádnou jinou záruku, ani vyjádřenou, ani implicitní.

► hu - KORLÁTOZOTT JÓTÁLLÁS ÉS SZERVIZSZOLGÁLAT ŐRIZZE MEG AZ ALÁBBI JÓTÁLLÁST

A jótállás időtartama alatt (a vásárlás napjától számított 12 hónap) a gyártó garantálja, hogy a termék vagy annak egyes alkatrészei - amennyiben azokat a vevő rendeltetésszerűen használja - nem mutatnak gyártási vagy anyaghibát. A jelen jótállás csak a termék vásárlójára terjed ki, aki a jótálláshoz való jogával kizárólag a vásárlást igazoló számla felmutatása ellenében élhet. A jelen jótállás kizárólag a berendezés normál üzemi körülményeinek helyreállításához szükséges alkatrészek költségére terjed ki. Így nem terjed ki a szállítási vagy a jótállás tárgyát képező anyagok járulékos költségeire.

A jótállás nem terjed ki a nem megfelelő használatból, nem engedélyezett módosításokból, hanyagságból, elégtelen karbantartásból, változtatásokból eredő károokra vagy a normál üzemi körülmények között kopásnak kitett alkatrészekre. A berendezés időszakos karbantartását a vevő felelőssége elvégezni. A gyártó a termékre semmilyen további közvetett vagy közvetlen jótállást (beleértve a kereskedelmi természetű vagy különleges felhasználásra vállalt jótállásokat) nem vállal. A gyártó semmilyen a berendezés használatából eredő közvetett vagy közvetlen kárért ill. balesetért nem vonható felelősségre. A gyártó fenntartja magának a jogot, hogy a jelen jótállást a vevő előzetes megrendelése nélkül módosítsa.

Az egyetlen érvényes jótállást a jelen szerződés képezi, semmilyen egyéb szóbeli vagy hallgatólagosan beleértett jótállás nem érvényes.

► sl - OMEJENO JAMSTVO IN SERVISNA SLUŽBA
TO OMEJENO JAMSTVO SHRANITE

Proizvajalec jamči, da bo naprava in vsi njeni deli brezhibno delovali brez napak v izdelavi in materialih za dvanajst (12) mesecev po nakupu, vendar le v primeru uporabe naprave po navodilih glede delovanja in vzdrževanja, ki so navedena v tem priločniku. To jamstvo velja izključno za prvega kupca naprave, ob predložitvi računa. To jamstvo vključuje samo strošek delov, ki so potrebni za ponovno vzpostavitev normalnega delovnega stanja naprave. Ne vključuje pa stroškov za prevoz in drugi material, povezan z deli, ki jih to jamstvo ne krije. Jamstvo ne vključuje poškodb, ki bi bile posledica napačne uporabe ali ravnanja z napravo, malomarnosti, nezadostnega vzdrževanja, predelav, sprememb, običajne obrabe izdelka, kot tudi ne uporabe neprimerne goriva, popravil z neustreznimi nadomestnimi deli ali popravil s strani nepooblaščenih oseb oziroma takih, ki jih ne bi opravil pooblaščen prodajalec ali serviser. Redno vzdrževanje je v breme lastnika. Proizvajalec ne jamči kot tudi ne prevzema neposredne ali posredne odgovornosti za nobeno drugo obliko jamstva, vključno s komercialnim ali tistim za odobritev posebne vrste uporabe. Proizvajalec v nobenem primeru ne odgovarja za neposredne, posredne ali nenamerne poškodbe oziroma poškodbe, ki bi bile posledica ali ki bi nastale zaradi uporabe naprave. Proizvajalec si pridržuje pravico do sprememb tega jamstva kadarkoli in brez vnaprejšnjega obvestila. Edino veljavno jamstvo je ta dokument. Proizvajalec ne prevzema nikakršnega izrecnega ali implicitnega jamstva.

► tr - SINIRLI GARANTİ VE TEKNİK SERVİS HİZMETİ
İŞBU SINIRLI GARANTİ BELGESİNİ SAKLAYIN

Bu ürünün satın alındığı tarihten itibaren on iki (12) aylık süre boyunca, üretici firma cihazın ve bütün kısımlarının, kullanım kılavuzunda belirtilen çalıştırma ve bakım talimatlarına uygun şekilde kullanıldığı takdirde, üretime veya kullanılan malzemelere bağlı kusurlar bulundurmadiğini garanti eder. İşbu garantiden sadece cihazı satın alan kişi, ürünün faturasını ibraz ederek yararlanabilir. Söz konusu garanti, sadece cihazı normal işletimin koşullarına döndürmek için gerekli parçaların masraflarını kapsar. Dolayısıyla, nakliye veya garanti kapsamındaki parçalarla birlikte kullanılacak diğer malzemelerin masrafları garanti kapsamının dışındadır. Hatalı kullanım, manipülasyon, ihmal, yetersiz bakım, üründe yapılan değişiklikler, ürünün normal aşınması ve uygun olmayan yakıt kullanımı, uygun olmayan yedek parçalarla veya tedarikçi veya yetkili teknik servis dışındaki personel tarafından yapılan tamiratlardan kaynaklanan arızalar garanti kapsamının dışındadır. Cihazın normal bakımı satın alan kişinin sorumluluğudur. Üretici firma, ticari garanti veya özel bir kullanım için tahsisat dâhil olmak üzere başka hiçbir türlü garanti sağlamamakta ve ne doğrudan ne de dolaylı olarak sorumluluğunu almamaktadır. Üretici firma, hiçbir durumda cihazın kullanımından kaynaklanan doğrudan veya dolaylı, kaza eseri veya sonuç olarak meydana gelen hasarlara ait sorumluluk kabul etmemektedir. Üretici firmanın işbu garanti belgesini istediği zaman haber vermeksizin değiştirme hakkı saklıdır. Geçerli olan tek garanti işbu yazılı metindir, üretici firma başka açık ya da dolaylı olarak ifade edilen her türlü garantiyi reddeder.

► hr - OGRANIČENO JAMSTVO I SERVISNA SLUŽBA
ČUVAJTE OVO OGRANIČENO JAMSTVO

Tijekom perioda od dvanaest (12) mjeseci polazeći od datuma kupnje ovog proizvoda, proizvođač jamči da aparat i svi njegovi dijelovi neće imati na sebi mane koje se posljedica proizvodnje ili korištenih materijala, pod uvjetom da se isti koristi pridržavajući se uputa o radu i održavanju koje navodi ovaj priručnik. Ovo se jamstvo odnosi samo na izvornog kupca aparata koji će trebati pokazati račun o kupnji. Ovo jamstvo uključuje samo troškove potrebne da bi se aparat povratio u svoje prvobitno stanje funkcioniranja. Stoga ostaju isključenim troškovi prijevoza ili drugog materijala koji je u vezi sa dijelovima pokrivenim jamstvom. Nisu pokriveni jamstvom, kvarovi koji su posljedica neprikladne uporabe, neovlaštenog mijenjanja, nemara, nedovoljnog održavanja, izmjena, preinaka, normalnog trošenja aparata kao također i korištenje neprikladnog goriva, popravljivanja neprikladnim rezervnim dijelovima ili popravki od strane osoba koje nije distributer tog proizvoda ili tehničkog servisa kojeg je on ovlastio. Uobičajeno normalno održavanje je na teret vlasnika. Proizvođač neće jamčiti niti će se obavezivati direktno i indirektno za nikakvo drugo jamstvo uključujući ono komercijalne prirode ili prisvajanje za određenu uporabu. Ni u kojem slučaju proizvođač neće biti odgovoran za bilo kakvu izravnu ili neizravnu, slučajnu ili posljedičnu štetu koja proizlazi iz uporabe aparata. Proizvođač ostavlja sebi na pravo da unese izmjene u bilo kojem trenutku u ovo jamstvo bez davanja prethodnog obavještenja. Jedino važeće jamstvo je ovo pismeno, proizvođač ne preuzima na sebe nikakvo izraženo ili podrazumijevajuće jamstvo.

► lt - RIBOTA GARANTIJA IR PAGALBOS TARNYBA
SAUGOKITE ŠIĄ RIBOTĄ GARANTIJĄ

Per dvylika (12) mėnesių nuo šio gaminio pirkimo datos gamintojas suteikia garantiją, kad visas prietaisas bendrai ir kiekviena jo detalė neturi gamybinių defektų ar su naudotomis medžiagomis susijusių defektų, nes prietaisas buvo gaminamas laikantis vadove pateiktų veikimo ir priežiūros instrukcijų. Ši garantija yra asmeninė ir pratęsiamą išskirtinai tik prietaiso pirkėjui; jis turės pateikti pirkimo faktūrą. Garantija taikoma tik išlaidoms toms svarbioms detalėms, be kurių prietaisas negali įprastai veikti. Garantija netaikoma gabenimo išlaidoms ar kitoms medžiagoms, susijusioms su garantinėmis detalėmis. Garantija netaikoma dėl netinkamo, neatsargaus, nepakankamo naudojimo, pakeitimų ar modifikacijų kilusiems gedimams, įprastai nusidėvėjusiam gaminiui, dėl netinkamo degalų naudojimo, taisyso naudojant netinkamas atsargines detales ar kai taisyso atlieka ne platintojo ar įgaliotosios techninės pagalbos tarnybos darbuotojai. Įprastą priežiūrą turi atlikti savininkas. Ši garantija teikiama vietoj kitos garantijos ir ja neteikiamos jokios aiškiai nustatytos arba numanomos garantijos, įskaitant bet kokią numanomą įstatymų nustatytą prekinės būsenos arba atitikties specialiajai paskirčiai garantiją. Jokiu gamintojas neprisiima atsakomybės už tiesioginę, netiesioginę žalą, žalą dėl nelaimingų atsitikimų ar logiškai jų sukeltą naudojantis prietaisu. Gamintojas pasilieka teisę bet kuriuo metu ir be išankstinio įspėjimo keisti šią garantiją. Vienintelė galiojanti garantija yra šis raštiškas dokumentas, gamintojas neprisiima jokios aiškiai nustatytos ar numanomos garantijos.

►lv - IEROBEŽOTĀ GARANTIJA UN TEHNISKĀS APKALPOŠANAS SERVISS SAGLABĀT ŠO IEROBEŽOTU GARANTIJU

Divpadsmit (12) mēnešu laikā no šī produkta iegādāšanās datuma, ražotājs garantē, ka šī ierīce, kā arī jebkura tās daļa, neuzrāda defektus ražošanas dēļ vai izmantoto materiālu dēļ, ja tā tika lietota sekojot darbošanās instrukcijām un tehniskās apkopes instrukcijām, kas ir uzrādītas rokasgrāmatā. Šī garantija ir domāta tikai pirmajam ierīces pircējam, kuram būs jāuzrāda pirkuma rēķins. Šī garantija iekļauj tikai to daļu izmaksas, kas ir nepieciešamas, lai atjaunotu ierīci tās normālajā darbībā, un tādēļ tiek izklautas izmaksas saistībā ar transportu vai citiem materiāliem, kas ir saistītas ar daļām, kuras sedz šī garantija. Garantija nesedz, ja bojājumu izraisīja kļūdaina lietošana, iejaukšanās, neuzmanība, nepietiekoša tehniskā apkope, modifikācijas, izmaiņas, normāla produkta nolietošana, kā arī ja tika izmantota neatbilstoša degviela, remonts ar neatbilstošām rezerves daļām vai ja remontu veic personas, kas nav ražotājs vai autorizēts Tehniskās Apkalpošanas Serviss. Normāla tehniskā apkope ir uz īpašnieka rēķina. Ražotājs nedod nekādu citu garantiju, izņemot to, kas ir uzrādīta augstāk un neuzņemas nekādu citu saistību, ne tiešo ne netiešo, saistībā ar citām garantijām, iekļaujot komerciālā rakstura garantiju, vai īpašai izmantošanai. Nekādā gadījumā ražotājs nebūs atbildīgs par tiešiem, netiešiem, gadījuma vai izraisītiem bojājumiem, kas nāk no ierīces lietošanas. Ražotājs patur tiesības veikt šīs garantijas izmaiņas jebkurā brīdī un bez iepriekšējās paziņošanas. Vienīgā derīgā garantija ir šī, ražotājs neizsniedz nekādu citu izteiktu vai neizteiktu garantiju.

►et - PIIRATUD GARANTII JA TEHNILINE TEENINDUS HOIDKE SEE PIIRATUD GARANTII ALLES

Kaheteistkümne (12) kuu jooksul alates selle toote ostmisest garanteerib tootja, et seadmel ega ühelgi selle osal ei esine tootmisest või kasutatud materjalidest tulenevaid defekte, kui seadet kasutatakse juhendis antud töö- ja hooldusjuhiste järgi. Käesolev garantii puudutab ainult seadme algset ostjat, kes peab esitama ostutšeki. Käesolev garantii hõlmab ainult nende osade maksumust, mida on vaja, et seade uuesti normaalsesse töökorda viia. Seega jäävad selle alt välja veokulud ja käesoleva garantiiga kaetud osadega seotud materjali maksumus. Garantiiga ei ole kaetud avariid, mis tulenevad väärust kasutamisest, käsitsemisest, hooletusest, ebapiisavast hooldusest, toote kallal tehtud teisendustest ja muudatustest, normaalsest kulumisest ja ka ebasobiva kütuse kasutamisest, ebasobivate varuosadega parandamisest või parandustöödest, mida on teinud muud töötajad kui edasimüüja või volitatud tehnilise teeninduse omad. Tavapärase hooldus on omaniku ülesanne. Tootja ei garanteeri ega võta enda kanda otseselt ega kaudselt ühtegi muud garantiid, sh kaubagarantiid või mõneks spetsiaalseks otstarbeks omandamise puhuks. Tootja ei ole mingil juhul vastutav seadme kasutamisest põhjustatud otsese, kaudse, juhusliku või muu kahju eest. Tootja jätab endale õiguse käesolevat garantiid mis tahes hetkel etteteatamata muuta. Ainus kehtiv garantii on käesolev dokument, tootja ei anna muud selgesõnalist ega vaikimisi garantiid.

►ro - GARANȚIE LIMITATĂ ȘI SERVICIU DE ASISTENȚĂ - SERVICE PĂSTRAȚI ACEASTĂ GARANȚIE LIMITATĂ

În intervalul de timp de doisprezece (12) luni de la data cumpărării acestui produs, producătorul garantează că aparatul, precum și fiecare componentă a acestuia, nu prezintă defecte de fabricație sau datorate materialelor folosite; aparatul trebuie folosit conform instrucțiunilor de funcționare și întreținere indicate în manual. Prezenta garanție se acordă numai cumpărătorului direct al aparatului care va trebui să prezinte factura de cumpărare. Prezenta garanție acoperă numai costul componentelor necesare pentru ca aparatul să funcționeze în condiții normale. Sunt excluse costuri privind transportul sau al altor materiale asociate componentelor acoperite de prezenta garanție. Nu sunt acoperite de garanție defectele datorate utilizării incorecte, manipulărilor, neglijenței, întreținerii insuficiente, modificărilor, uzurii normale a produsului, precum și datorate utilizării combustibilului neconform, reparațiilor sau utilizării pieselor de schimb neadecvate și reparațiilor realizate de personal altul decât distribuitorul sau serviciul tehnic autorizat. Întreținerea ordinară este în sarcina proprietarului. Producătorul nu garantează și nici nu își asumă responsabilitatea directă sau indirectă pentru nici un alt fel de garanție, inclusiv cea cu caracter comercial sau în cazul cumpărării acestuia cu un anumit scop de folosire. În nici un caz producătorul nu poate fi considerat responsabil pentru daune directe, indirecte, accidentale sau derivate din utilizarea aparatului. Producătorul își rezervă dreptul de a aduce modificări prezentei garanții în orice moment și fără preaviz. Singura garanție valabilă este cea de față, producătorul nu oferă nici un alt fel de garanție, fie ea explicită sau implicită.

►sk - OBMEDZENÁ ZÁRUKA A ASISTENČNÁ SLUŽBA USCHOVÁVAJTE TÚTO OBMEDZENÚ ZÁRUKU

Počas obdobia dvanástich (12) mesiacov od dátumu nákupu tohto produktu výrobca zaručuje, že zariadenie, ako všetky jeho časti, je bez závad vzniknutých v dôsledku výroby alebo použitých materiálov, za predpokladu, že samotný prístroj bol používaný podľa pokynov v príručke na použitie a údržbu. Táto záruka sa vzťahuje len na pôvodného nákupcu prístroja, ktorý musí predložiť faktúru o kúpe. Táto záruka pokrýva iba náklady dielov, potrebných pre navrátenie výrobku do normálneho stavu fungovania. Preto vylučuje náklady na dopravu či ďalšie materiály, spojené s časťami, na ktoré sa vzťahuje táto záruka. Zo záruky sú vylúčené poškodenia, spôsobené nesprávnym používaním, nedbalosťou, špatnou údržbou, modifikáciami a úpravami, bežným opotrebovaním výrobku; ako aj škody, zapríčinené používaním nevhodného paliva, opravami s nevhodnými náhradnými dielmi alebo opravami, vykonávanými personálom odlišným od personálu predajcu alebo autorizovanej technickej servisnej služby. Bežná údržba je úlohou majiteľa. Výrobca nezaručuje ani nepreberá, priamo či nepriamo, akékoľvek iné záruky, vrátane záruky obchodnej povahy alebo záruky pre prispôbenie výrobku na zvláštne použitie. Výrobca nie je v žiadnom prípade zodpovedný za akékoľvek priame, nepriame, náhodné alebo následné škody, vyplývajúce z použitia zariadenia. Výrobca si vyhradzuje právo kedykoľvek a bez predchádzajúceho upozornenia zmeniť túto záruku. Jedinou platnou zárukou je táto písomná listina, výrobca neuznáva žiadnu inú záruku, ani vyjadrenú, ani implicitnú.

► **bg - ОГРАНИЧЕНА ГАРАНЦИЯ И СЕРВИЗ ЗА ТЕХНИЧЕСКО ОБСЛУЖВАНЕ
ДА СЕ СЪХРАНЯВА НАСТОЯЩАТА ОГРАНИЧЕНА ГАРАНЦИЯ**

По време на периода от дванадесет (12) месеца, смятано от датата на покупка на това изделие, производителят покрива гаранцията на уреда, и на всяка негова част, по отношение на наличие на производствени дефекти или използвани материали, при всички случаи само когато изделието се използва, в съответствие с указанията за работа и поддръжка, указани в наръчника. Настоящата гаранция важи единствено за първоначалният купувач на уреда, който трябва да представи фактура за извършена покупка. Настоящата гаранция покрива и разходите за частите, необходими за възстановяване нормално действие на уреда. В нея не се включват, съответните транспортни разходи или други материали в тази връзка, за частите покрити от настоящата гаранция. Не влизат в гаранцията, аварии вследствие на неправилна употреба, манипулации, невнимание, недостатъчна поддръжка, промени, модификации, нормално износване на изделието, както и вследствие ползване на неодобрен горивен газ, смени с неподходящи резервни части или ремонти извършвани от друг персонал, освен от дистрибутора или оторизиран технически сервиз. Нормалната поддръжка е за сметка на собственика. Производителят не гарантира, нито поема пряк или непряк ангажимент, във връзка с каквато и да е друга гаранция, включително и търговската или вследствие на придобиване за специална употреба. При никакви обстоятелства, производителят не носи отговорност за преки, косвени, случайни или последващи щети, свързани с употреба на уреда. Производителят си запазва правото да променя настоящата гаранция, по всяко време и без предварително предизвестие. Единствената гаранция в сила е настоящият текст, производителят не приема никаква друга словесна или несловесна гаранция.

► **uk - ОБМЕЖЕНА ГАРАНТИЯ І ТЕХНІЧНЕ ОБСЛУГОВУВАННЯ
ЗБЕРІГАЙТЕ ЦЮ ОБМЕЖЕНУ ГАРАНТІЮ**

Протягом дванадцяти (12) місяців, починаючи з дати придбання цього виробу, виробник гарантує, що пристрій, як і всі його комплектуючі, не має дефектів, спричинених процесом вироблення або використаними матеріалами, за умови, що пристрій використовується з дотриманням інструкцій з експлуатації й обслуговуванню, які містяться в даному посібнику. Ця гарантія поширюється лише на справжнього покупця пристрою, який має представити чек або рахунок. Ця гарантія поширюється лише на вартість деталей, необхідних для повернення пристрою до нормального робочого стану. Тому гарантія не поширюється на витрати на транспортування або на інші деталі, пов'язані з деталями, на які поширюється ця гарантія. Гарантія не поширюється на поломки, що сталися в результаті неправильної експлуатації пристрою, неналежного обслуговування, деформації, внесення конструктивних змін, звичайного зношення виробу, а також через використання невідповідного пального, ремонт з використанням неналежних запчастин, або через ремонт, проведений фахівцями, які не мають відношення до виробника або авторизованої служби технічного обслуговування. Відповідальність за повсякденне обслуговування несе власник. Виробник не гарантує і не несе прямої або непрямой відповідальності за будь-яку іншу гарантію, включаючи гарантію торговельного характеру або наслідки особливої експлуатації. Ні в якому разі виробник не несе відповідальності за прямі, непрямі, випадкові збитки, які є наслідком використання пристрою. Виробник залишає за собою право в будь-який момент і без попереднього оповіщення вносити зміни до цієї гарантії. Єдиною чинною гарантією є цей документ, і виробник не бере на себе жодних чітких або ймовірних гарантій.

► **bs - OGRANIČENA GARANCIJA I SERVISNA USLUGA
SAČUVAJTE OVU OGRANIČENU GARANCIJU**

Tokom perioda od dvanaest (12) mjeseci polazeći od datuma kupovine ovog proizvoda, proizvođač garantira da proizvod kao i svi njegovi dijelovi nemaju mana koje su posljedica proizvodnje i korištenih materijala ali samo ako se on koristi pridržavanjem uputstava o radu i održavanju navednih u priručniku. Ova se garancija odnosi isključivo na prvobitnog kupca aparata koji mora pokazati račun o kupovini. Ova garancija obuhvaća samo troškove dijelova koji su potrebni da bi se aparat vratio u svoje normalno stanje rada. Zato ostaju isključenima troškovi vezani za transport ili drugi materijali u vezi sa dijelovima pokrivenim ovom garancijom. Nisu pokriveni garancijom kvarovi koji su posljedica pogrešne upotrebe, nepar, nedovoljno održavanje, izmjene, promjene, normalno trošenje proizvoda kao također i korištenje neprikladnog goriva, popravke neprikladnim rezervnim dijelovima ili one koje je obavilo drugačije osoblje od onog zaduženog za servisiranje i distributeri proizvoda. Obično održavanje je na teret vlasnika. Proizvođač ne garantira, niti preuzima na sebe direktno ili indirektno bilo kakvu drugu garanciju uključujući i onu komercijalne prirode ili aproprijacije za neku posebnu upotrebu. Proizvođač neće biti odgovoran ni u kom slučaju za štetu direktnu ili indirektnu, slučajnu ili posljedičnu koja proističe iz korištenja aparata. Proizvođač ostavlja sebi na pravo da promijeni u bilo kojem trenutku i bez davanja prethodnog obavještenja ovu garanciju. Jedino važeća garancija je ova napisana, proizvođač ne preuzima na sebe nikakvu izraženu ili impliciranu garanciju.

► **el - ΠΕΡΙΟΡΙΣΜΕΝΗ ΕΓΓΥΗΣΗ ΚΑΙ ΥΠΗΡΕΣΙΑ ΤΕΧΝΙΚΗΣ ΥΠΟΣΤΗΡΙΞΗΣ
ΦΥΛΑΞΤΕ ΤΗΝ ΠΑΡΟΥΣΑ ΠΕΡΙΟΡΙΣΜΕΝΗ ΕΓΓΥΗΣΗ**

Κατά την περίοδο των δώδεκα (12) μηνών από την ημερομηνία αγοράς του προϊόντος αυτού, ο κατασκευαστής εγγυάται ότι η συσκευή, όπως κάθε άλλο εξάρτημά της, δεν παρουσιάζει ελαττώματα λόγω κατασκευής ή χρησιμοποιημένων υλικών, υπό τον όρο ότι η ίδια χρησιμοποιήθηκε πάντα σύμφωνα με τις οδηγίες λειτουργίας και συντήρησης που ενδείκνυνται στο εγχειρίδιο. Η παρούσα εγγύηση καλύπτει μόνο τον αρχικό αγοραστή της συσκευής, ο οποίος θα πρέπει να παρουσιάσει την απόδειξη αγοράς. Η παρούσα εγγύηση αποκλείει μόνο το κόστος των απαραίτητων μερών για την επαναφορά της συσκευής στην κανονική κατάσταση λειτουργίας. Αποκλείεται επομένως το κόστος μεταφοράς ή άλλων υλικών που συνδέονται με τα μέρη που καλύπτονται από την παρούσα εγγύηση. Εξαιρούνται από το κόστος της εγγύησης, οι ζημιές που προκαλούνται από λάθος χρήση, χειρισμό, αμέλεια, κακή συντήρηση, παραποιήσεις, μετατροπές, φυσική φθορά του προϊόντος, καθώς επίσης και από τη χρήση καυσίμων που δεν είναι σύμφωνα, επισκευές με ακατάλληλα ανταλλακτικά ή επισκευές από προσωπικό ή από υπηρεσία τεχνικής υποστήριξης που δεν είναι

εξουσιοδοτημένη από τον αντιπρόσωπο. Η κανονική συντήρηση είναι αρμοδιότητα του ιδιοκτήτη. Ο κατασκευαστής δεν εγγυάται και ούτε ευθύνεται άμεσα ή έμμεσα για οποιαδήποτε άλλη εγγύηση, συμπεριλαμβανομένης εκείνης που είναι εμπορικής φύσης ή για την ιδιοποίηση μιας συγκεκριμένης χρήσης. Σε καμία περίπτωση ο κατασκευαστής δεν ευθύνεται για άμεσες, έμμεσες, τυχαίες ή κατά συνέπεια ζημιές, που προέρχονται από τη χρήση της συσκευής. Ο κατασκευαστής διατηρεί το δικαίωμα να τροποποιεί οποιαδήποτε στιγμή και χωρίς προειδοποίηση την παρούσα εγγύηση. Η μόνη εγγύηση που ισχύει είναι η παρούσα γραφή, ο κατασκευαστής δεν αναλαμβάνει καμία εγγύηση ρητή ή και υπονοούμενη.

► zh - 有限责任和售后服务

生产者对设备负有有限责任

从此产品被购买的当天开始计算的(12个月内, 在用户严格按照使用维护手册对设备进行操作和维护的前提下, 生产商保证这台设备和其所有零件不会因为在生产过程中产生的错误或者因为生产所使用的材料而发生问题, 损坏或无效。此项质量保证只对原始购买者有效, 并必须提供对应的发票单据。在上述情况下, 当设备发生故障而停止工作后, 此项质量保证仅承担将设备还原到原始正常的工作状态所必须零件的成本, 不包括因此引起的运输或者其他相关材料的成本费用。因为以下原因引起的故障, 不在上述质保范围内: 错误的使用, 操作, 疏忽失误, 缺少维护, 随意变更替换, 修改, 正常损耗, 使用不符合规定的燃料, 使用不符合规定的零件, 通过没有售后服务技术授权的人员或者非授权经销商进行维修等。设备进行定期维护属于最终用户的责任。生产商不承担任何商业性质或者某些特殊用途所引起的直接或间接责任。在任何情况下, 生产商对在正常使用过程中产生的直接, 间接, 偶然或必然的损失负责。生产商对此质量保证条款保留最终解释权和修改权, 且无需提前告知。此份质量保证是唯一生效的, 生产商不对任何未表述的或者暗示的条款负责。

► kk - ШЕКТЕУЛІ КЕПІЛДІК ЖӘНЕ САТУДАН КЕЙІНГІ СЕРВИСТІК ҚЫЗМЕТ КӨРСЕТУ

ОСЫ ЖЕТЕКШІЛІКТІ САҚТАП ҚОЙЫҢЫЗ

Өндіруші бұл өнімде фабрикалық ақаулар мен кемшіліктер жоқ екендігіне кепілдік береді, осыған орай оған 12 айға сатып алу күнінен бастап кепілдеме береді, пайдаланушыға арналған жетекшілікте сипатталған ұсыныстарға сәйкес техникалық қызмет көрсетілуін және сол мақсаттарда пайдаланылатын болса жағдайда. Бұл кепілдеме сатылып алынған түпнұсқалы өнімге ғана тарайды және сатып алуды растайтын құжаттың болуында (инвойс) ған тарайды. Кепілдеме қондырғының дұрыс қалыпта функционалдануын қамтамасыз етуге арналған қажетті бөлшектеріне ғана таралады. Бұл кепілдеме транспортпен байланысты, немесе осы кепілдеме таралатын бөлшектерге байланысты басқа материалдардың шығындарды өтеуге таралмайды. Кепілдеме қондырғыны дұрыс пайдаланбау нәтижесінде, дұрыс қарамау, дұрыс техникалық қызмет көрсетпеген, көп жұмыс істеу және модификация, құралдың тозуында таралмайды, сонымен қатар спецификацияда көрсетілген жанармайдың сәйкес болмауы, түпнұсқалы емес бөлшектерді жөндеу кезінде орнатқанда немесе мамандығы жоқ адамдармен жөндеу жұмыстары жүргізілгенде таралмайды. Техникалық қызмет көрсету бойынша жалпы кезеңді жұмыстар қондырғының иесіне тиесілі. Өндіруші кез келген берілген, соның ішінде коммерциялы сипаттағы, кепілдемеге өзіне тікелей және жанама жауапкершілік алмайды. Өндіруші қондырғыны пайдалану кезеңінде пайда болған кездейсоқ, жанама, тура ақауларға жауапкершілік алмайды. Өндіруші өзіне осы кепілдемеге кез келген уақытта алдын ала ескертусіз өзгертулер енгізу құқығын қалдырады. Бұл кепілдеме әрекет ететін жалғыз кепілдеме болып табылады. Өндіруші басқа ешқандай кепілдеме қабылдамайды, көрсетілген немесе қисынды.

Model: _____

Serial Number: _____

Date of Purchase: _____

► en - DISPOSAL OF THE PRODUCT

- This product has been designed and manufactured with top-quality materials and components, which can be re-cycled and re-used.
- When a crossed-wheely bin symbol is attached to the product, it means that the product is protected by the, 2002/96/EC European Directive.
- Please obtain information regarding the local differentiated collection system for electrical and electronic products.
- Respect local Standards in force and do not dispose of old products as normal domestic waste. Correct disposal of the product helps to prevent possible negative consequences for health, the environment and mankind.

► it - SMALTIMENTO DEL PRODOTTO

- Questo prodotto è stato progettato e fabbricato con materiali e componenti di alta qualità, che possono essere riciclati e riutilizzati.
- Quando ad un prodotto è attaccato il simbolo del bidone con le ruote segnato da una croce, significa che il prodotto è tutelato dalla Direttiva Europea 2002/96/CE.
- Si prega di informarsi in merito al sistema locale di raccolta differenziata per i prodotti elettrici ed elettronici.
- Rispettare le norme locali in vigore e non smaltire i prodotti vecchi nei normali rifiuti domestici. Il corretto smaltimento del prodotto aiuta ad evitare possibili conseguenze negative per la salute dell'ambiente e dell'uomo.

► de - ENTSORGUNG DES PRODUKTS

- Dieses Produkt wurde unter Verwendung von Qualitätsmaterialien und -bauteilen entwickelt und hergestellt, die recycelt und wieder verwendet werden können.
- Ist ein Produkt gekennzeichnet durch die Mülltonne mit Rädern und einem Kreuz, wird hier angezeigt, dass dieses Produkt durch die europäische Richtlinie 2002/96/EG überwacht ist.
- Es wird gebeten, sich über die vor Ort bestehende Mülltrennung bezüglich elektrischer und elektronischer Produkte zu informieren.
- Die vor Ort geltenden Vorschriften zur Müllentsorgung müssen eingehalten werden und alte Produkte dürfen nicht zusammen mit dem Hausmüll entsorgt werden. Die ordnungsgemäße Entsorgung des Produkts hilft mögliche negative Folgen für Gesundheit und Umwelt zu vermeiden.

► es - ELIMINACIÓN DEL PRODUCTO

- Este producto ha sido diseñado y fabricado con materiales y componentes de alta calidad que se pueden reciclar y reutilizar.
- Cuando en el producto se encuentra el símbolo del contenedor con las ruedas tachado con una cruz, significa que el producto está tutelado por la Directiva europea 2002/96/CE.
- Se ruega informarse acerca del sistema local de recogida selectiva para los productos eléctricos y electrónicos.
- Respete las normas locales vigentes y no elimine los productos viejos junto con los residuos domésticos normales. La eliminación correcta del producto ayuda a evitar posibles consecuencias negativas para la salud del ambiente y del hombre.

► fr - SE DÉBARRASSER DE VOTRE PRODUIT USAGÉ

- Ce produit a été conçu et fabriqué avec des matériaux et des composants de haute qualité, qui peuvent être recyclés et utilisés de nouveau.
- Lorsque le symbole d'une poubelle à roue barrée est appliqué à un produit, cela signifie que le produit est couvert par la Directive Européenne 2002/96/CE.
- Veuillez vous informer du système local de séparation des déchets électriques et électroniques.
- Veuillez agir selon les règles locale set ne pas jeter vos produits usagés avec les déchets domestiques usuels. Jeter correctement votre produit usagé aidera à prévenir les conséquences négatives potentielles contre l'environnement et la santé humaine.

► nl - VERWIJDERING VAN HET PRODUCT

- Dit product werd ontworpen en gemaakt met hoogwaardige materialen en componenten, die gerecycleerd en herbruikt kunnen worden.
- Wanneer op een product het symbool van de afvalbak op wielen met een kruis erdoor is aangebracht, betekent dit dat het product valt onder de Europese Richtlijn 2002/96/EG.
- Gelieve inlichtingen in te winnen betreffende het plaatselijke systeem voor gedifferentieerde inzameling van elektrische en elektronische toestellen.
- Respecteer de plaatselijke normen die van kracht zijn, en verwijder de oude toestellen niet als gewoon huishoudelijk afval. Een correcte verwijdering van het product helpt om mogelijke negatieve gevolgen voor de gezondheid van mens en milieu te voorkomen.

► pt - ELIMINAÇÃO DO PRODUTO

- Este produto foi projetado e fabricado com materiais e componentes de alta qualidade que podem ser reciclados e reutilizados.
- Quando for afixado em um produto o símbolo do bidão com rodas marcado com uma cruz, significa que o produto é protegido pela Diretiva Europeia 2002/96/CE.
- Solicitamos informar-se sobre o sistema local de recolha diferenciada para os produtos elétricos e eletrônicos.
- Respeitar as normas locais em vigor e não eliminar os produtos antigos como normais detritos domésticos. A correta eliminação do produto ajuda a evitar possíveis consequências negativas para a saúde do ambiente e do homem.

► da - BORTSKAFFELSE

- Dette produkt er designet og fremstillet med materialer og dele af høj kvalitet, der kan genanvendes.
- Når et produkt er mærket med symbolet, der viser en affaldsspand på hjul med et kryds over, betyder det, at produktet er beskyttet af EF-Direktiv 2002/96/EF.
- Der henstilles til, at man informerer sig angående det lokale affaldssorteringssystem for elektriske og elektroniske produkter.
- De gældende lokale regler skal overholdes, og de gamle produkter må ikke bortskaffes sammen med husholdningsaffaldet. Ved at bortskaffe dette produkt korrekt, medvirker De til at forhindre eventuelle negative påvirkninger af miljøet og folkesundheden.

► fi - TUOTTEEN HÄVITTÄMINEN

- Tämä tuote on suunniteltu ja valmistettu korkealaatuisia materiaaleja ja osia käyttämällä, jotka voidaan kierrättää ja käyttää uudelleen.
- Kun tuotteeseen on kiinnitetty viivattu roskasäiliön merkki, se tarkoittaa, että tuotetta suojaa Euroopan yhteisön direktiivi 2002/96/EY.
- Hanki tietoja paikallisesta sähkö- ja elektroniikkaromujen erilliskeräyksestä.
- Noudata voimassa oleva määräyksiä äläkä hävitä vanhoja tuotteita kotitalousjätteiden mukana. Tuotteen oikea hävittäminen auttaa suojelemaan luontoa ja välttää väärän romutuksen aiheuttamien terveysriskien syntymistä.

► no - AVFALLSHÄNDTERING

- Dette produktet er utformet og produsert med materialer og deler av høy kvalitet, og som kan gjenvinnes.
- Når det på et produkt finnes et symbol som forestiller en avfallsbeholder med et kryss over, betyr dette at produktet er underlagt EU-direktiv 2002/96/CE.
- Vennligst informer dere angående de lokale reglene som gjelder kassering av elektrisk og elektronisk avfall.
- Ta hensyn til gjeldende regelverk og ikke kast gamle produkter sammen med husholdningsavfall. Riktig avfallshåndtering av produktet bidrar til å unngå potensielle negative konsekvenser for miljøet og menneskenes helse.

► sv - PRODUKTENS BORTSKAFFANDE

- Den här produkten har projekterats och tillverkats med material och komponenter av hög kvalitet som kan återvinnas och återanvändas.
- När ett klistermärke med en symbol med överkorsad soptunna med hjul sitter på produkten, betyder detta att produkten är skyddad av Eu-direktiv 2002/96/EG.
- Vi ber er inhämta upplysningar vid er lokala återvinningsstation för elektriska och elektroniska produkter.
- Följ lokala gällande bestämmelser och skaffa inte bort förbrukade produkter i det vanliga hushållsavfallet. Ett korrekt bortskaffande av produkten hjälper till att undvika möjliga negativa effekter på miljö- och människohälsa.

► pl - UTYLIZACJA PRODUKTU

- Niniejszy produkt został wyprodukowany z najwyższej jakości materiałów, które mogą być poddane recyklingowi i zostać ponownie użyte.
- Symbol przekreślonego kosza na śmieci umieszczony na produkcie oznacza, że ów produkt jest chroniony Dyrektywą Unii Europejskiej 2002/96/WE.
- Należy zapoznać się z lokalnym systemem zbiórki produktów elektronicznych i elektrycznych.
- Stare produkty muszą być usuwane zgodnie z obowiązującymi normami. Odpowiednia utylizacja urządzeń elektrycznych i elektronicznych zapobiega następstwom negatywnie wpływającym na zdrowie, środowisko i całą ludzkość.

► ru - УТИЛИЗАЦИЯ ПРОДУКТА

- Данный продукт был произведен из наивысшего качества материалов, которые могут быть подданы рециклингу и повторно использованы.
- Символ зачеркнутой мусорной корзины, размещенный на продукте, обозначает, что этот продукт защищен Директивой Европейского Союза 2002/96/CE.
- Следует ознакомиться с локальной системой сбора электронных и электрических продуктов.
- Старые продукты должны быть утилизированы в соответствии с действующими нормами. Соответствующая утилизация электрических и электронных приборов предотвращает последствия, негативно влияющие на здоровье, окружающую среду и все человечество.

► cs - LIKVIDACE VÝROBKU

- Tento výrobek byl navržen a vyroben z vysoce kvalitních materiálů a komponentů, které lze recyklovat a znovu použít.
- Je-li na výrobku symbol přeškrtnutého kontejneru, znamená to, že na výrobek se vztahuje Evropská Směrnice 2002/96/ES.
- Informujte se o místním systému pro oddělený sběr elektrických a elektronických výrobků.
- Dodržujte místní předpisy a nelikvidujte staré produkty spolu s běžným komunálním odpadem. Správná likvidace výrobku pomůže předcházet možným negativním dopadům na životní prostředí a lidské zdraví.

► hu - HULLADÉKBA HELYEZÉS

- A termék kiváló minőségű újrahasznosítható és újból felhasználható alkotóelemek felhasználásával készült.
- Ha terméken elhelyezésre került az áthúzott hulladékgyűjtőt ábrázoló jel, az azt jelenti, hogy a termékre a 2002/96/EK irányelv vonatkozik.
- Kérjük, tájékozódjon az elektromos és elektronikus hulladékok szelektív gyűjtéséről.
- Tartsa be a helyben hatályos előírásokat, és ne a terméket ne helyezze a háztartási hulladékgyűjtőbe. A megfelelő hulladékgyűjtéssel elkerülhető, hogy a hulladékok károsítsák a környezetet ill. az emberi egészséget.

► sl - ODLAGANJE IZDELKA

- Ta izdelki je bil zasnovan in izdelan iz materialov in komponent visoke kakovosti, ki jih je mogoče reciklirati in ponovno uporabiti.
- Ko je izdelek označen z znamenjem prekrižanega smetnjaka na kolesih, pomeni, da zanj veljajo določbe evropske Direktive 2002/96/ES.
- Pozanimajte se o načinu ločenega zbiranja električne in elektronske opreme, ki velja v vašem kraju.
- Upoštevajte veljavne predpise in odsluženih izdelkov ne odlagajte med gospodinjne odpadke. Pravilno odlaganje izdelka prispeva k izogibanju morebitnim negativnim posledicam za zdravje okolja in ljudi.

► tr - ÜRÜNÜN İMHA EDİLMESİ

- Bu ürün, geri dönüştürülüp tekrar kullanılabilen, yüksek kaliteli malzeme ve bileşenler kullanılarak tasarlanıp üretilmiştir.
- Herhangi bir üründe, üzerinde çarpı işareti bulunan tekerlekli bidon bulunuyorsa bu, ürünün 2002/96/CE Avrupa Direktifi tarafından korunduğunu belirtir.
- Lütfen bulunduğunuz bölgedeki elektrikli ve elektronik aletler için olan çöp ayrıştırma sistemi ile ilgili bilgi edininiz.
- Konuyla ilgili yerel düzenlemelere uyunuz ve eski ürünleri normal evsel atıklarla beraber atmayınız. Ürünün doğru şekilde imha edilmesi, çevre ve insan sağlığını tehdit edici olumsuz sonuçların önlenmesine yardımcı olur.

► hr - ODBACIVANJE PROIZVODA

- Ovaj je proizvod osmišljen i izrađen s visokokvalitetnim materijalima i komponentama koje se mogu reciklirati i ponovno iskoristiti.
- Kada se na proizvod stavi simbol prekrižene kante na kotačima, to znači da je on podvrgnut Europskoj Smjernici 2002/96/CE.
- Informirajte se u svezi s lokalnim načinom diferencijalnog sakupljanja električnih i elektronskih proizvoda.
- Pošaljite lokalne propise na snazi i ne odbacujte stare proizvode zajedno sa običnim kućnim otpadom. Pravilnim odbacivanjem proizvoda spriječit ćete moguće negativne posljedice za okoliš i za zdravlje ljudi.

► lt - GAMINIO SUNAIKINIMAS

- Šis gaminys buvo sukurtas ir pagamintas iš aukštos kokybės medžiagų bei dalių, kurios gali būti perdirbtos arba panaudotos dar kartą.
- Kai gaminys yra pažymėtas perbraukto atliekų konteinerio su ratukais ženklu, tai reiškia, kad gaminys yra saugomas pagal ES direktyvą 2002/96/EB.
- Prašome pasidomėti apie vietinę elektros ir elektronikos atliekų rūšiavimo sistemą.
- Laikykites vietinių galiojančių taisyklių ir nemeskite senų gaminių su įprastomis buitinėmis atliekomis. Tinkamai sunaikinę gaminių išvengsite galimų neigiamų pasekmių aplinkai ir žmonių sveikatai.

► lv - PRODUKTA IZNĪCINĀŠANA

- Šis produkts tika izveidots un ražots ar augstas kvalitātes materiāliem un sastāvdaļām, kas var būt savāktas un atkārtoti izmantotas.
- Kad pie produkta ir piestiprināts atkritumu tvertnes simbols ar riteņiem, kas ir pārsvītrots ar krustu, tas nozīmē, ka produktu aizstāv Eiropas Direktīva 2002/96/EK.
- Lūdzam Jūs gūt informāciju par vietēju centru, kas savāc elektriskās un elektroniskā ierīces.
- Ievērot vietējās pastāvošās normas un neiznīcināt vecus produktus, kā parastus mājas atkritumus. Produkta pareizā iznīcināšana palīdz izvairīties no iespējamām negatīvām sekām vides un cilvēku veselībai.

► et - TOOTE KASUTUSEST KÕRVALDAMINE

- See toode on projekteeritud ja toodetud kvaliteetsetest materjalidest ja osadest, mida võib uuesti ringlusse võtta ja korduskasutada.
- Kui tootel on märk, millel on ratastega prügikast, millele on rist peale tõmmatud, tähendab see, et toodet kaitseb Euroopa direktiiv 2002/96/EÜ.
- Palun tutvuge kohaliku elektri- ja elektroonikatoodete lahuskogumise süsteemiga.
- Täitke kehtivaid kohalikke õigusnorme ning ärge visake vana toodet olmejäätmete hulka. Toote õige kõrvaldamine aitab vältida võimalikke negatiivseid tagajärgi keskkonna ja inimeste tervisele.

► ro - SCOATEREA DEFINITIVĂ DIN UZ A PRODUSULUI

- Acest produs a fost proiectat și fabricat cu materiale și componente de înaltă calitate care pot fi reciclate și refolosite.
- Când pe produs este aplicat simbolul unei pubele cu roți, marcată cu o cruce, înseamnă că produsul respectiv este conform Directivei Europene 2002/96/CE.
- Vă rugăm să vă informați în ceea ce privește colectarea separată a produselor electrice și electronice.
- Respectați normele locale în vigoare și nu depozitați produsele vechi împreună cu deșeurile menajere. Eliminarea corectă a produsului ajută la eliminarea consecințelor negative pe care acesta le poate avea asupra mediului înconjurător și a persoanelor.

► sk - LIKVIDÁCIA VÝROBKU

- Tento výrobok bol navrhnutý a vyrobený z vysoko kvalitných materiálov a komponentov, ktoré je možné recyklovať a znovu použiť.
- Ak je na výrobku symbol prečiarknutého kontajnera, znamená to, že na výrobok sa vzťahuje Európska Smernica 2002/96/ES.
- Informujte sa o miestnom systéme pre oddelený zber elektrických a elektronických výrobkov.
- Dodržujte miestne predpisy a nelikvidujte staré produkty spolu s bežným komunálnym odpadom. Správna likvidácia výrobku pomôže predchádzať možným negatívnym dopadom na životné prostredie a ľudské zdravie.

► bg - ИЗХВЪРЛЯНЕ НА УРЕДА

- Това изделие е проектирано и произведено с материали и компоненти от високо качество, които могат да се рециклират или използват повторно.
- Когато на някое изделие е поставен символ с бидон на колелца, маркиран с хикс, това означава, че изделието е защитено съгласно Европейска Директива 2002/96/ЕО.
- Моля да се информирате относно местната система за разделно изхвърляне на електрически и електронни изделия.
- Спазвайте действащите местни нормативи и не изхвърляйте изделията, заедно с нормалните домакински отпадъци. Правилното изхвърляне на изделията, помага за избягване на възможни отрицателно последици, за здравето на хората и за опазване на околната среда.

► uk - УТИЛІЗАЦІЯ ВИРОБУ

- Цей виріб був спроектований і вироблений з використанням високоякісних матеріалів і комплектуючих, які можуть бути повторно перероблені і використані.
- Якщо на виріб нанесено символ перекресленого бака з колесами для сміття, це означає, що виріб відповідає Директиві Європейського Союзу 2002/96/CE.
- Просимо ознайомитися з інформацією щодо місцевої системи роздільного збору сміття для електричного і електронного обладнання.
- Дотримуйтеся чинних місцевих правил і не викидайте старі вироби до звичайних побутових відходів. Правильна утилізація виробу допомагає уникнути можливих негативних наслідків для довкілля і здоров'я людей.

► bs - ODLAGANJE PROIZVODA

- Ovaj je proizvod dizajniran i proizveden korištenjem materijala i komponenata visoke kvalitete koji se mogu reciklirati i ponovo koristiti.
- Kada se na ovaj proizvod postavi simbol prekrizene kante /obilježene krstom na točkovima, to znači da je proizvod podložan Evropskoj Direktivi 2002/96/CE.
- Molimo Vas da se informirate o lokalnom sistemu diferencijalnog sakupljanja električnih i elektronskih proizvoda.
- Poštujte lokalne propise na snazi i ne odbacujte stare proizvode u obični kućanski otpad. Pravilno odlaganje proizvoda pomaže i onemogućuje negativne posljedice za zdravlje ljudi i okoliša

► el - ΔΙΑΘΕΣΗ ΤΟΥ ΠΡΟΪΟΝΤΟΣ

- Το προϊόν αυτό σχεδιάστηκε και κατασκευάστηκε με υλικά και εξαρτήματα υψηλής ποιότητας, τα οποία μπορούν να ανακυκλωθούν και να ξαναχρησιμοποιηθούν.
- Όταν ένα προϊόν είναι συνδεδεμένο με το σύμβολο του διαγεγραμμένου τροχοφόρου σημειωμένο με ένα σταυρό, σημαίνει ότι το προϊόν καλύπτεται από την Ευρωπαϊκή Οδηγία 2002/96/ΕΚ.
- Σας συνιστούμε να ενημερωθείτε σχετικά με το τοπικό σύστημα συλλογής για την ανακύκλωση ηλεκτρικών και ηλεκτρονικών προϊόντων.
- Τηρήστε τους τοπικούς κανονισμούς που ισχύουν και μην απορρίπτετε τα παλαιά προϊόντα στα οικιακά απορρίμματα. Η σωστή διάθεση του προϊόντος βοηθά στην αποφυγή πιθανών αρνητικών συνεπειών για την υγεία του περιβάλλοντος και του ανθρώπου.

► zh - 弃置旧的产品

- 该产品是由高质量的原材料和零配件生产而成的，可以进行回收再利用
- 当这个标识标签出现在产品上时，它表明这个产品符合 European Directive 2002/96/EC标准。
- 请熟知产品实际使用地关于处理废弃的电子元件的相关法律规定。
- 请严格根据当地法规处理废弃的产品和包装，并确保不和生活垃圾混装。正确的处理方式可以避免对环境和人体健康产生的潜在威胁。

