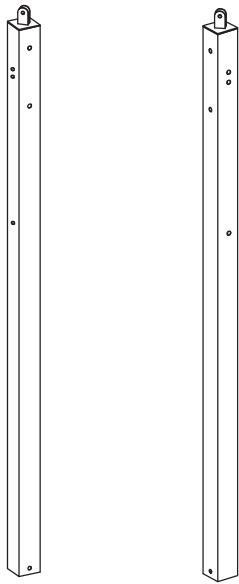
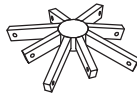


27951116

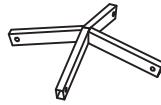


H1 × 2PCS

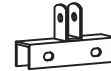
H2 × 2PCS



A × 1PC



a × 1PC



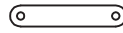
B × 4PCS



b × 4PCS



C × 4PCS



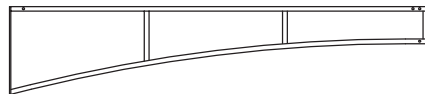
I × 8PCS



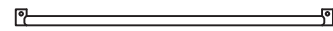
C1 × 4PCS



U × 4PCS



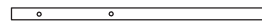
D × 8PCS



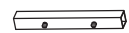
T × 4PCS



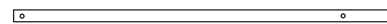
F × 4PCS



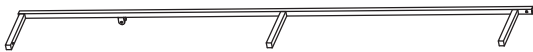
J × 4PCS



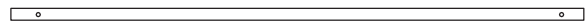
L × 12PCS



G × 4PCS



E1 × 2PCS



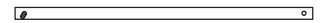
M × 6PCS



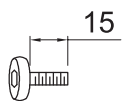
E2 × 2PCS



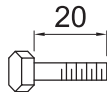
K × 4PCS



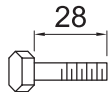
S × 4PCS



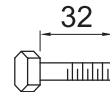
P1 × 12PCS



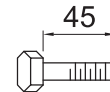
P2 × 36PCS



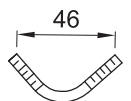
P3 × 36PCS



P4 × 8PCS



P5 × 8PCS



P6 × 8PCS



Q × 96PCS



R × 184PCS



O × 16PCS



1PC



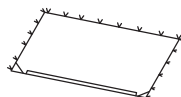
1PC



N × 8PCS



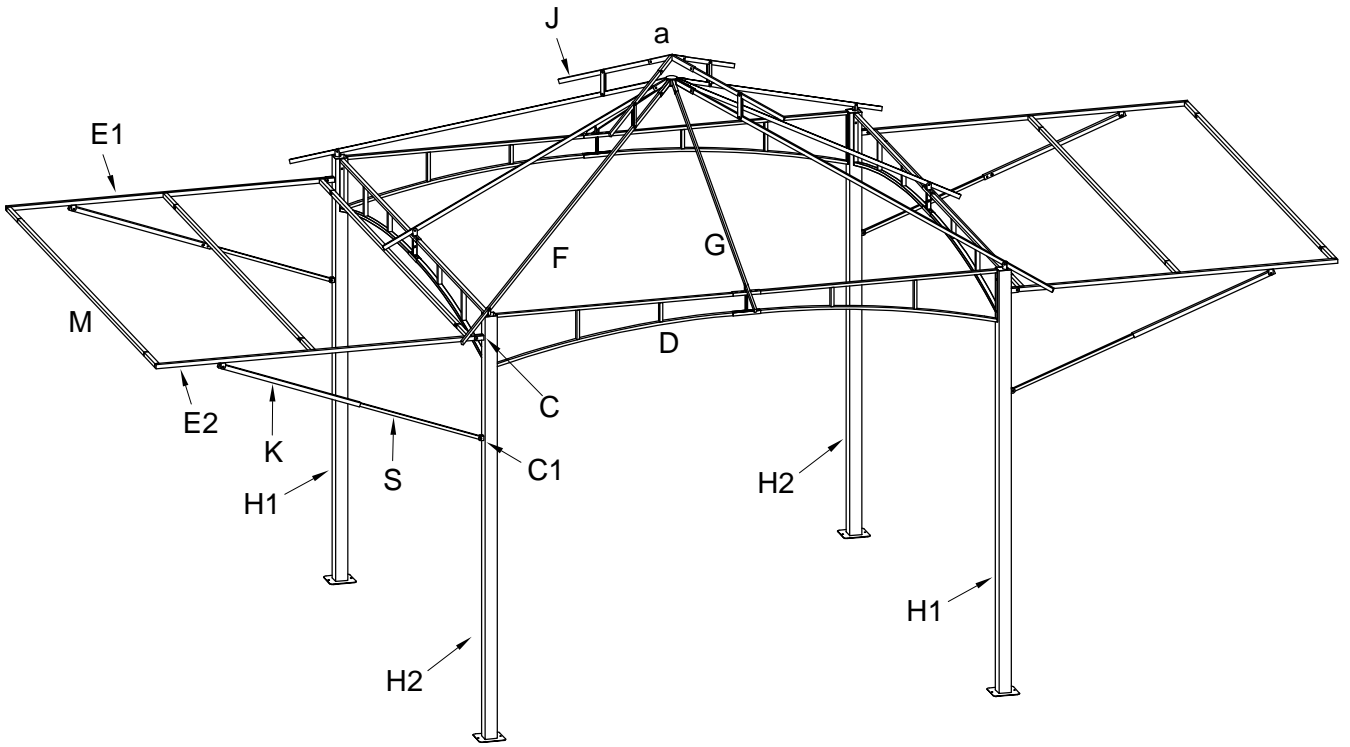
W × 1PC



V × 2PCS



Y × 2PCS

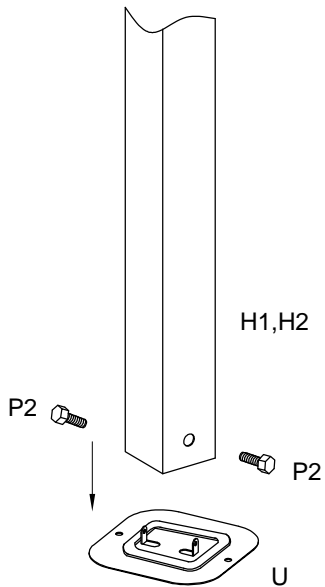


①

Bolts required for this step:



P2×8PCS

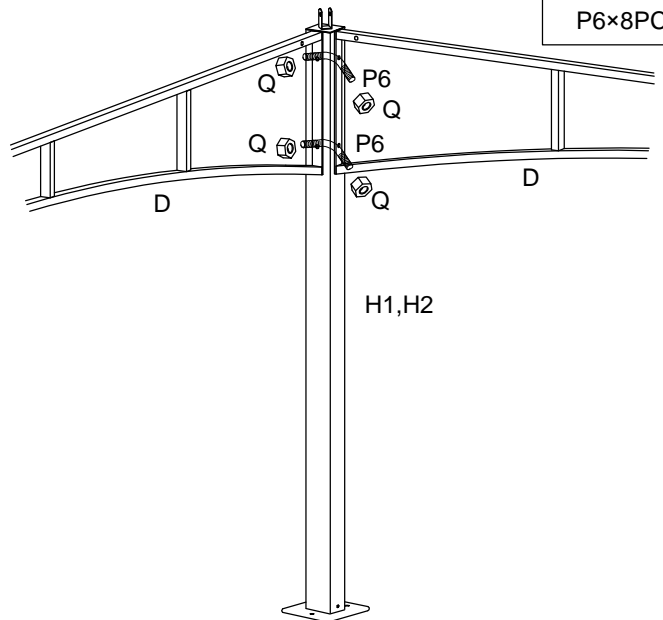


②

Bolts required for this step:

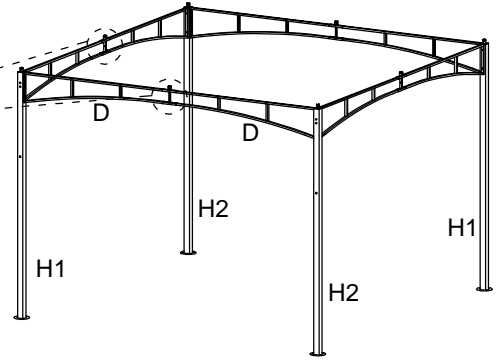
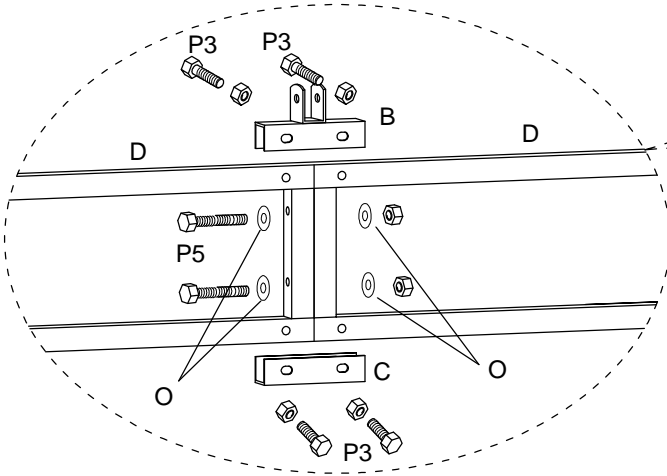
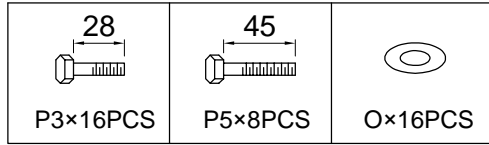


P6×8PCS

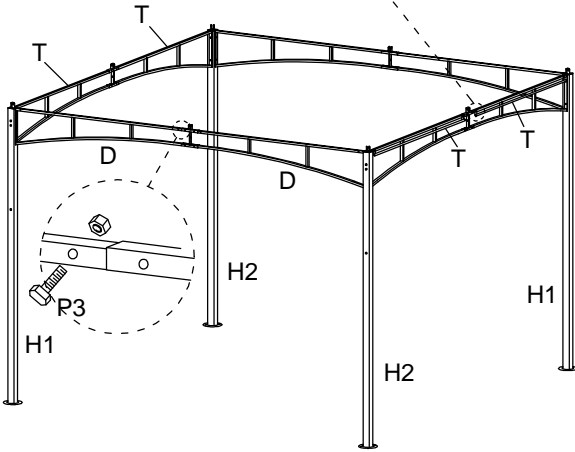
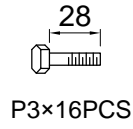
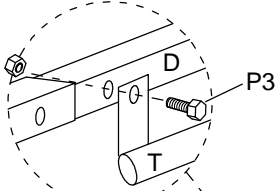


3

Bolts required for this step:

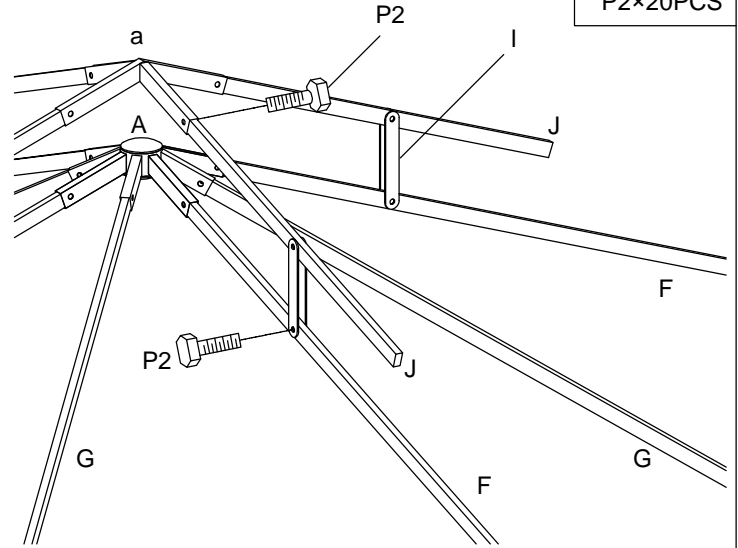
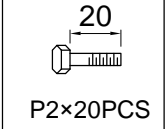


4



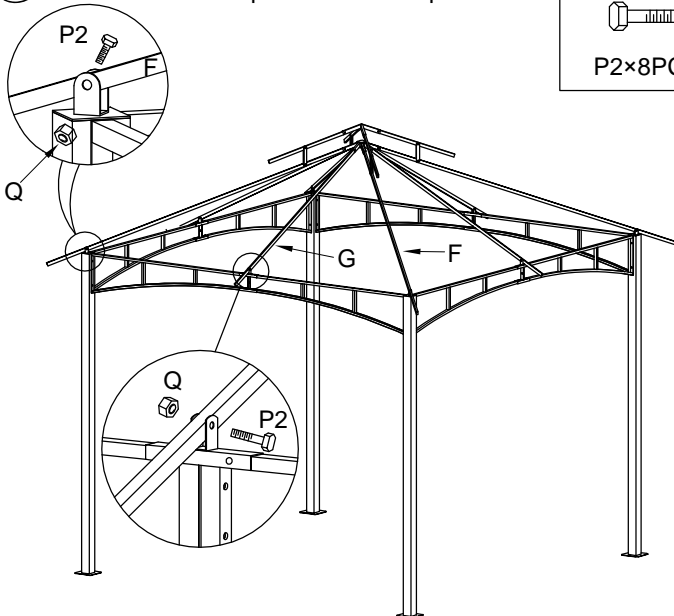
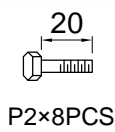
5

Bolts required for this step:



6

Bolts required for this step:



7

