

Sunred Bright

Manual—CE09B Hanging Patio Heater



WARNING!

Probable danger to life and risk of injury!
Use in closed spaces can be dangerous and is **FORBIDDEN**.



WARNING!

Probable danger to life and risk of injury!
Please read the manual before usage.



NOTE—IMPORTANT!

Carefully remove the packaging before use, but keep the safety instruments. These are part of the product. Please note all safety warnings mentioned in this manual. Read the instructions in their entirety and keep them for future reference. These must be stored with the product. This product is for household use and may not be used for commercial or contractual purposes.

NL TERRASVERWARMER	SK TERASOVY OHRIEVAČ	RU ОБОГРЕВАТЕЛЬ ДЛЯ ТЕРРАСЫ
DE TERRASSENHEIZSTRAHLER	PL TARASOWY PROMIENNIK CIEPŁA	UA ОБІГРІВАЧ ДЛЯ ТЕРАСИ
IT IRRADIATORE DI CALORE DA TERRAZZA	SI INFRA PEČ ZA UPORABO NA TERASAH	DK GÅRDHAVEVARMER
FR RADIATEUR DE TERRASSE	HU TERASZHŐSUGARZO	NO TERRASSEVARMER
EN PATIO HEATER	HR ELEKTRIČNA GRIJALICA ZA TERASU	SE TERRASSVÄRMARE
ES ESTUFA TERRAZA	BA ELEKTRIČNA GRIJALICA ZA TERASU	
CZ TERASOVY OHŘIVAČ	RO RADIATOR PENTRU TERASĂ	



2 years warranty

Battery for remote is not included



CR2450 (not included)



For outdoor only!



MADE IN P.R.C.



EN Patio Heater

Translation of the original instructions

Dear customer,

Thank you for placing your trust in our product!

Before using the product for the first time, please make sure you read these operating instructions! Here you will find information about how to use the product safely and ensure its long service life. You should pay attention to all of the safety instructions in this document!

How to use these instructions

All of the necessary diagrams can be found on the first pages of this set of instructions. Within the descriptions, you will be directed by cross-references to the appropriate diagrams.

Before you begin...

Intended use

When used for its intended purpose, this device corresponds to the state of the art, as well as to the current safety requirements at the time of its introduction.

The unit is a heater for use in roofed outdoor areas.

The device is not suitable for commercial or industrial use.

Any other type of use is inappropriate. Improper use or modifications to the device or the use of components that are not tested and approved by the manufacturer may result in unforeseen damage!

Any use that deviates from its intended use and is not included in these instructions is considered unauthorized use and relieves the manufacturer from his or her legal liability.



1

2

3



For your safety

General safety instructions

- To operate this device safely, the user must have read and understood these instructions for use before using the device for the first time.
- Observe all safety instructions! Failure to do so may cause harm to you and others.
- Retain all instructions for use, and safety instructions for future reference.
- If you sell or pass the device on, you must also hand over these operating instructions.
- The device must only be used when it functions properly. If the product or part of the product is defective, it must be taken out of operation and disposed of correctly.
- Never use the device in a room where there is a danger of explosion or in the vicinity of flammable liquids or gasses.
- Always ensure that a device which has been switched off cannot be restarted unintentionally.
- Do not use devices with an on/off switch that does not function correctly.
- Keep children away from the device! Keep the device out of the way of children and other unauthorized persons.

Electrical safety

- The device may only be connected to a socket that is correctly installed and grounded.
- The fuse must be a residual current circuit-breaker with a measured residual current of no more than 30 mA.
- Make sure that the power supply corresponds with the connection specifications of the device before it is connected.
- The tool may only be used within the specified limitations for voltage and power (see type plate).
- Do not touch the mains plug with wet hands! Always pull out the mains plug at the plug and not by the cable.
- Do not bend, crush, pull or drive over the power cable, protect from sharp edges, oil and heat.
- Do not lift the device using the cable or use the cable for purposes other than intended.
- Check the plug and cable before each use.
- If the power cable is damaged immediately disconnect the plug. Never use the device if the power cable is damaged.
- If the device is not in use make sure the plug is pulled out.
- Make sure that the device is switched off before plugging in the mains cable.
- Make sure that the device is switched off before unplugging it.
- Disconnect the power supply before transporting the device.

Device-specific safety instructions

- The unit may not be operated indoors.
- The unit may not be operated in the vicinity of swimming pools, garden ponds etc.
- Do not move the unit when it is in use.
- Do not tilt the unit when it is in use.
- Never feed objects through the ventilation slots into the unit. Risk to life!
- The gap between the ventilation slots and flammable objects must be at least 75 cm.
- The unit may not be covered. This causes a risk of fire.
- The unit must be assembled on an even, horizontal surface with space surrounding it. The safety gaps must always be adhered to.
- Never expose the unit to water or other liquids.
- Never use the heater with a timer or another switch that activates the unit automatically as this carries a risk of fire.
- The heater may not be set up directly underneath a wall power socket.
- Symbols affixed to your unit may not be removed or covered. Information on the unit that is no longer legible must be replaced immediately.
- When mounting heaters on a high level the heater must be installed at least 1.8m above the floor.



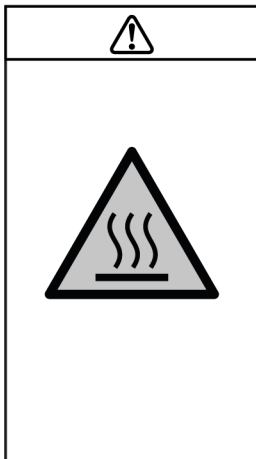
For your safety

General safety instructions

- This appliance can be used by children aged from 8 years and above and persons with reduced psychical, sensory or mental capabilities or lack of experience and knowledge if they have been given supervision or instruction concerning the use of the appliance in a safe way and understands the hazard involved. Children shall not play with the appliance. Cleaning and user maintenance shall not be made by children without supervision.
- Children of less than 3 years should be kept away unless continuously supervised.
- Children aged from 3 years and less than 8 years shall only switch on/off the appliance provided that it has been placed or installed in its intended normal operating position and they have been given supervision or instruction concerning use of the appliance in a safe way and understand the hazards involved.
- Children aged from 3 years and less than 8 years shall not plug in, regulate and clean the appliance or perform user maintenance.
- If the supply cord is damaged, it must be replaced by the manufacturer, its service agent or similarly qualified persons in order to avoid a hazard.
- **CAUTION** — Some parts of this product can become very hot and cause burns. Particular attention has to be given where children and vulnerable people are present.

Device-specific safety instructions

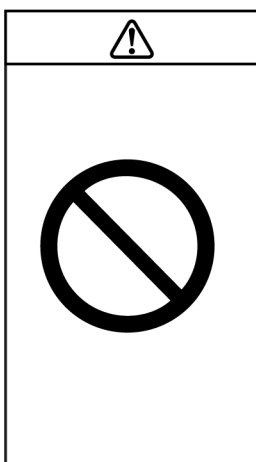
- Never cover the appliance with clothing or flammable objects. This will overheat the appliance this could lead to a fire risk.
- The gap between the ventilation slots and flammable objects must be at least 75 cm.
 - Be mindful of installation near curtains and other combustible materials. Other distances of at least 75 cm apply.



NL - WAARSCHUWING!
HEET OPPERVLAK!
DE - WARNUNG!
HEISSE OBERFLÄCHE!
IT - AVVERTIMENTO!
SUPERFICIE CALDA
FR - ATTENTION!
SURFACE CHAUDE!
EN - WARNING!
HOT SURFACE!
ES - ¡ADVERTENCIA!
¡SUPERFICIE CALIENTE!
CZ - UPOZORENJE!
VELIKA POVRŠINA!
SK - OPOZORILO!

VROČA POVRŠINA!
PL - OSTRZEŻENIE!
GORĄCA
POWIERZCHNIA!
SI - OPOZORILO!
VROČA POVRŠINA!
HU - FIGYELEM!
FORRÓ FELÜLET!
HR - UPOZORENJE!
VELIKA POVRŠINA!
BA - UPOZORENJE!
VELIKA POVRŠINA!
RO - AVERTIZARE!
SUPRAFATA FIERBINTE!
RU - ПРЕДУПРЕЖДЕНИЕ!

ГОРЯЧА
ПОВЕРХНОСТЬ!
UA - УВАГА!
ГОРЯЧА ПОВЕРХНЯ!
DK - ADVARSEL!
VARMT OVERFLADE!
NO - ADVARSEL!
VARM OVERFLATE!
SE - VARNING!
VARM YTA!



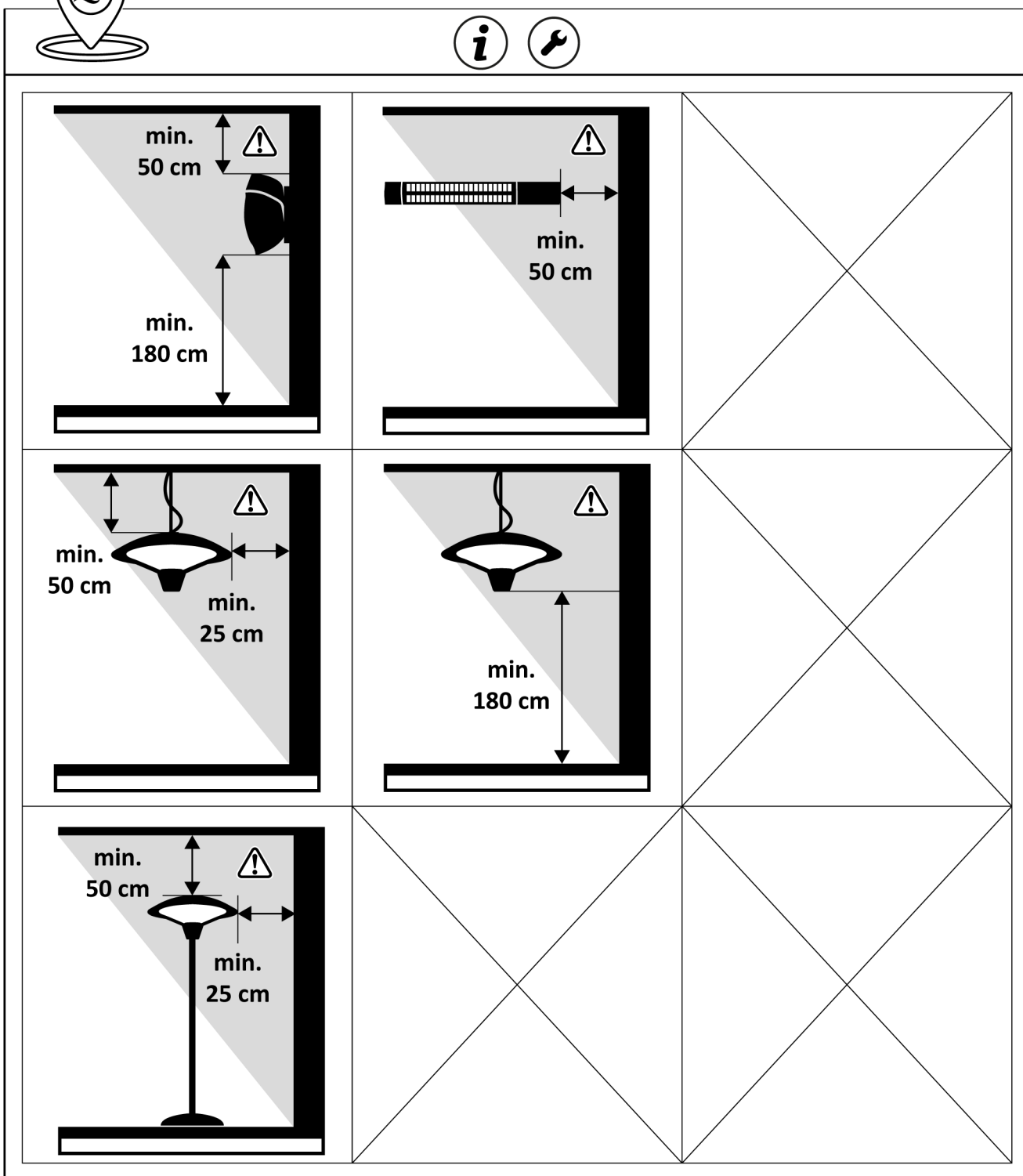
NL - WAARSCHUWING!
APPARAAT NIET
AFDEKKEN.
DE - WARNUNG!
DAS GERÄT
NICHT ABDECKEN.
IT - AVVERTENZA!
È VIETATO COPRIRE
L'APPARECCHIO.
FR - AVERTISSEMENT !
NE COUVREZ PAS
L'APPAREIL.
EN - WARNING!
DO NOT COVER
DEVICE!
ES - ¡ADVERTENCIA!
SE PROHÍBE TAPAR EL
DISPOSITIVO.
CZ - UPOZORNĚNÍ!
ZAŘÍZENÍ JE
ZAKÁZÁNO ZAKRÝVAT.
SK - UPOZORNENIE!
ZARIADENIE JE
ZAKÁZANÉ ZAKRÝVAŤ.
PL - OSTRZEŻENIE!
NIE WOLNO PRZYKRY
WAĆ URZĄDZENIA.
SI - OPOZORILO!
NI DOVOLJENO

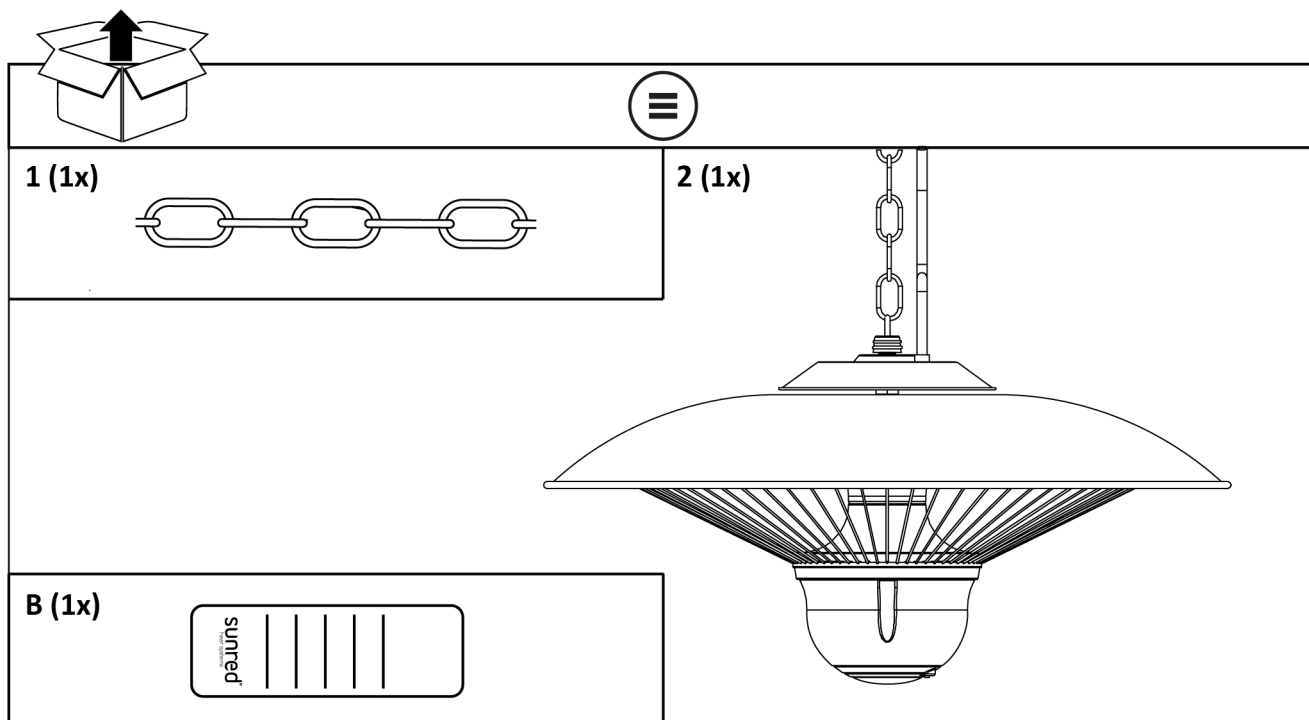
POKRIVAN JE
NAPRAVE.
HU - FIGYELEM!
NE TAKARJA LE A
KÉSZÜLÉKET.
HR - UPOZORENJE!
UREĐAJ SE
NE SMIJE POKRIVATI.
BA - UPOZORENJE!
UREĐAJ SE NE SMIJE
POKRIVATI.
RO - AVERTIZARE!
ESTE INTERZIS SĂ SE
ACOPERE
DISPOZITIVUL.
RU - ВНИМАНИЕ! НЕ
ПРИКРЫВАЙТЕ
ПРИБОРА.
UA - ЗАСТЕРЕЖЕННЯ!
ЗАБОРОНЯЄТЬСЯ
НАКРИВАТИ
ПРИСТРІЙ.
DK - ADVARSEL!
UDSTYRET MÅ IKKE
TILDÆKKES.
NO - ADVARSEL!
ENHETEN MÅ IKKE
TILDEKKES.
SE - VARNING!

ANORDNINGEN FÅR INTE
TÄCKAS ÖVER.



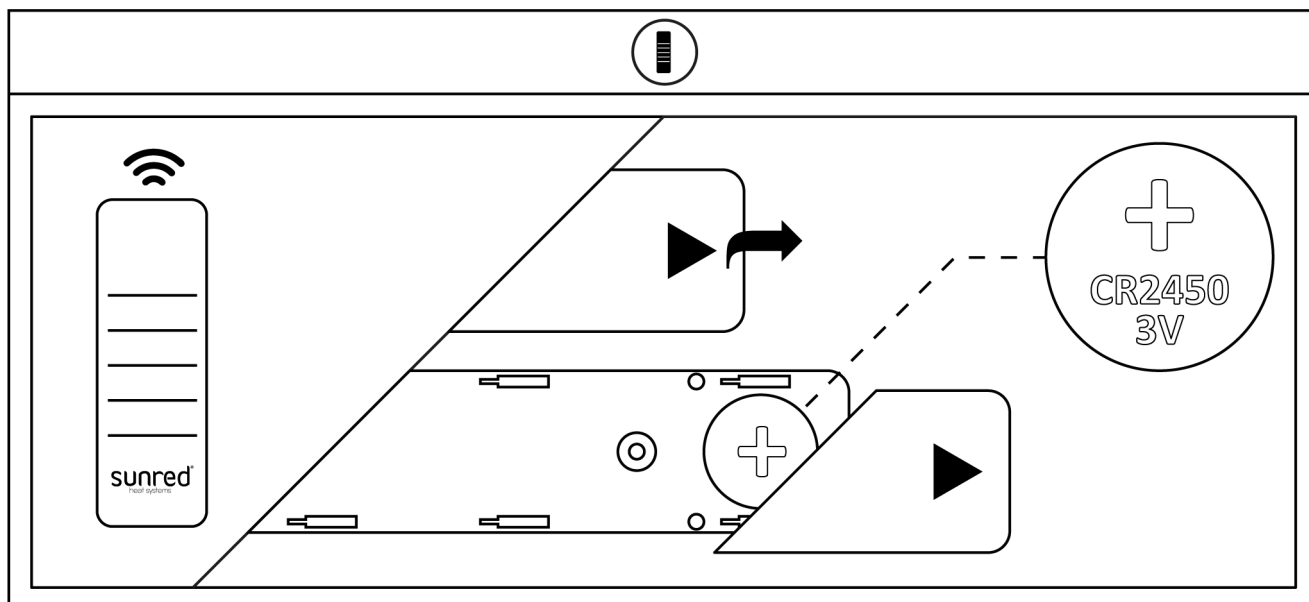
= RECOMMENDED







<p style="text-align: center;">1</p> <p style="text-align: center;"></p>	<p style="text-align: center;">2</p> <p style="text-align: center;"></p>	<p style="text-align: center;">3</p> <p style="text-align: center;"></p>
---	---	---



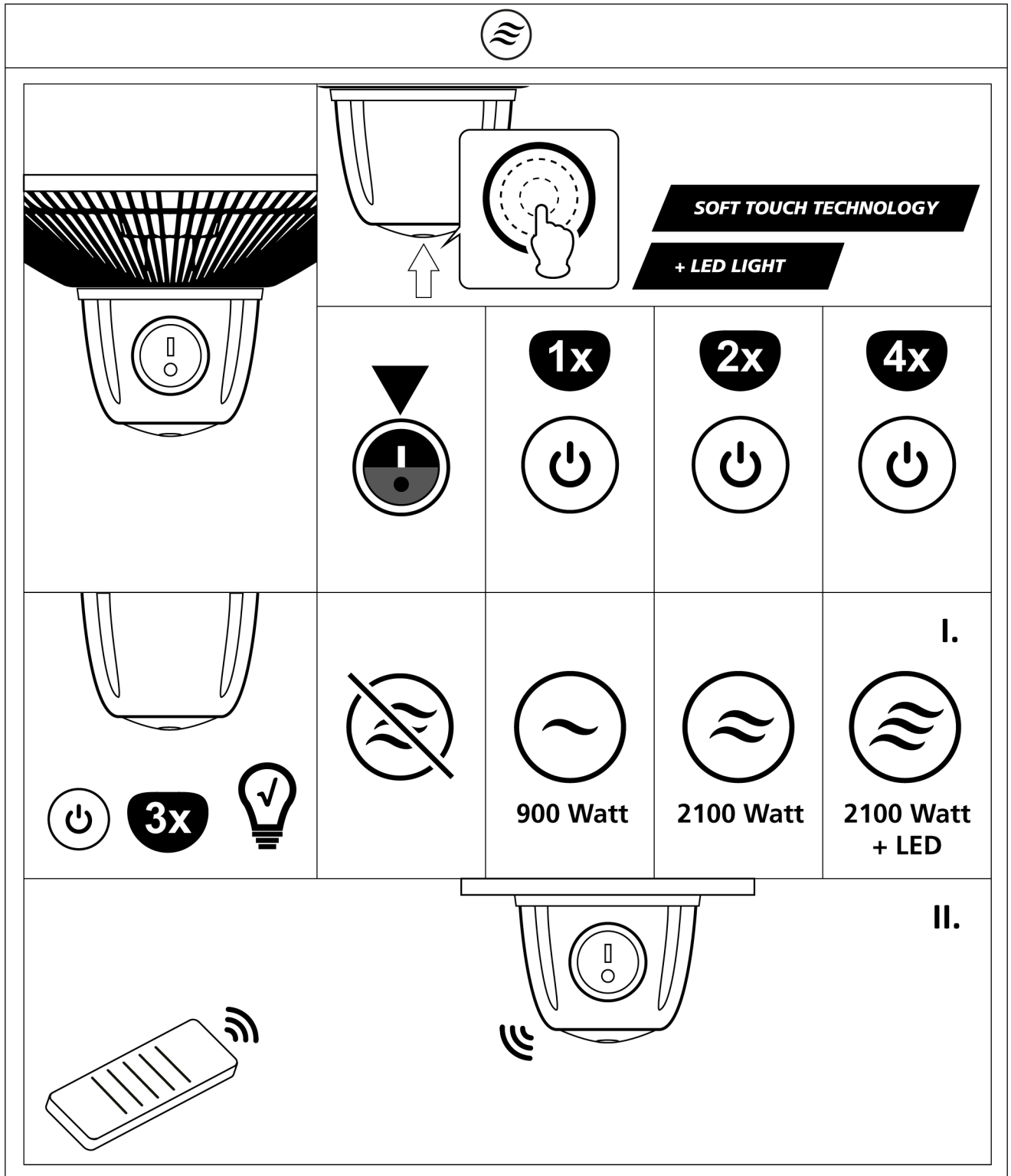
Battery operated appliance

- CR2450 3v. Battery is not included.

General safety instructions

- Remove or insert batteries following the image above.
- Non rechargeable batteries are not to be recharged.
- Rechargeable batteries are to be removed from the appliance before being charged.
- Different types of batteries or new and used batteries are not be mixed.
- Batteries are to be inserted with the correct polarity.
- Exhausted batteries are to be removed from the appliance and safely disposed of
- If the appliance is to be stored unused for a long period, the batteries should be removed;
- The supply terminals are not to be short-circuited.

Warning: If the heater is switched off by using the remote control the heater will go in 'standby' mode. When the heater is not in use always switch the heater off by using the on/off switch and take the plug out of the socket.





Cleaning

- Switch the unit off and allow it to cool down completely.
- Unplug from the power source.
- Wipe the unit with a damp cloth.
- To clean the heating bars and the reflector, use a brush with long, soft bristles

Disposal of the appliance



Appliances which are labelled with the adjacent symbol must not be disposed of in household waste. You must dispose of such old electrical and electronic equipment separately.

Through separate disposal you send old equipment for recycling or for other forms of re-use. You will thus help to avoid in some cases that damaging material gets into the environment.

For private households: Information on Disposal for Users of WEEE this symbol on the product(s) and / or accompanying documents means that used electrical and electronic equipment (WEEE) should not be mixed with general household waste. For proper treatment, recovery and recycling, please take this product(s) to designated collection points where it will be accepted free of charge.

Disposing of this product correctly will help save valuable resources and prevent any potential negative effects on human health and the environment, which could otherwise arise from inappropriate waste handling. Please contact your local authority for further details of your nearest designated collection point. Penalties may be applicable for incorrect disposal of this waste, in accordance with your national legislation.

	220-240V 50Hz
	Halogen / 8000 H
	900/1200/2100 Watt
	35 x 58,5 cm
	App. 4.5 kg
	Insulation class I
	IP24
	CE
All measurements are approximate.	

For professional users in the European Union If you wish to discard electrical and electronic equipment (EEE), please contact your dealer or supplier for further information.

For disposal in countries outside of the European Union This symbol is only valid in the European Union (EU). If you wish to discard this product please contact your local authorities or dealer and ask for the correct method of disposal.

Disposal of the packaging

The packaging consists of cardboard and correspondingly marked plastics that can be recycled.

- Make these materials available for recycling.



WARRANTY CARD



2 years limited warranty

Please complete this form and fax or e-mail to the numbers below. Please return with a receipt to your retailer if your products becomes faulty.

- Please add a scan/copy of the receipt.
- Please add images/pictures and a **description** of the faulty or damaged product.

Your name:

Your address:

E-mail address:

Postcode:

Product name:

Model number:

Batch code:

(located at rating label
on the rear or side of
the unit.)

Place of purchase:

Date of purchase:

Year:

OutTrade B.V.
Meeleweg 76
7711 EP Nieuwleusen
The Netherlands

Tel: +31-529—48 28 08
Fax: +31-529—48 49 10

info@outtrade.eu
www.outtrade.eu

Please describe the fault:



EU DECLARATION OF CONFORMITY		
We,	OutTrade B.V. Meeleweg 76 7711 EP Nieuwleusen	
Declare under our sole responsibility that the product described below:		
Brand and model name:	Sunred	CE09B
Equipment Classification	Outdoor Patio Heater	
Is in conformity with the following Standards and Directives:		
Standard	With reference to RoHS Directive (EC/EU) 2015/863 IEC 60335-2-30:2009, COR1:2014,AMD1:2016 used in conjunction with IEC 60335-1:2010,COR:2010,COR2:2010, AMD1:2013,COR1:2014,AMD2:2016,COR1:2016 EN 60335-1:2012+A11:2014+A13:2017 EN 60335-2-30:2009+A11:2012 EN 62233: 2008 EN 55014-1:2017 EN 55014-2:2015 EN 61000-3-2:2014 EN 61000-3-3:2013	
I hereby declare that the equipment named above has been designed to comply with the relevant sections of above referenced Standards and meets all essential requirements of the specified Directives.		
Signed: R. Dijkman	Signed for and on behalf of: OutTrade B.V.	
Position: Managing Director		
Location: Nieuwleusen, The Netherlands	Date of issue:	Nieuwleusen, 22/04/2021



OutTrade BV

Meeleweg 76—7711 EP Nieuwleusen

Tel: +31 (0)529-482808

Fax: +31 (0)529-484910

Email: info@outtrade.eu

Website: www.outtrade.eu



WARRANTY CARD



2 years limited warranty

Please complete this form and fax or e-mail to the numbers below. Please return with a receipt to your retailer if your products becomes faulty.

- Please add a scan/copy of the receipt.
- Please add images/pictures and a **description** of the faulty or damaged product.

Your name:

Your address:

E-mail address:

Postcode:

Product name:

Model number:

Batch code:

(located at rating label
on the rear or side of
the unit.)

Place of purchase:

Date of purchase:

Year:


OutTrade B.V.
Meeleweg 76
7711 EP Nieuwleusen
The Netherlands

Tel: +31-529—48 28 08
Fax: +31-529—48 49 10

info@outtrade.eu
www.outtrade.eu

Please describe the fault:



EU DECLARATION OF CONFORMITY		
We,	OutTrade B.V. Meeleweg 76 7711 EP Nieuwleusen	
Declare under our sole responsibility that the product described below:		
Brand and model name:	Sunred	CE09B
Equipment Classification	Outdoor Patio Heater	
Is in conformity with the following Standards and Directives:		
Standard	With reference to RoHS Directive (EC/EU) 2015/863 IEC 60335-2-30:2009, COR1:2014,AMD1:2016 used in conjunction with IEC 60335-1:2010,COR:2010,COR2:2010, AMD1:2013,COR1:2014,AMD2:2016,COR1:2016 EN 60335-1:2012+A11:2014+A13:2017 EN 60335-2-30:2009+A11:2012 EN 62233: 2008 EN 55014-1:2017 EN 55014-2:2015 EN 61000-3-2:2014 EN 61000-3-3:2013	
I hereby declare that the equipment named above has been designed to comply with the relevant sections of above referenced Standards and meets all essential requirements of the specified Directives.		
Signed: R. Dijkman	Signed for and on behalf of: OutTrade B.V.	
Position: Managing Director		
Location: Nieuwleusen, The Netherlands	Date of issue:	Nieuwleusen, 22/04/2021



OutTrade BV

Meeleweg 76—7711 EP Nieuwleusen

Tel: +31 (0)529-482808

Fax: +31 (0)529-484910

Email: info@outtrade.eu

Website: www.outtrade.eu



NL Terrasverwarmer

Vertaling van de originele instructies

Geachte klant,

Bedankt voor het vertrouwen in ons product!

Lees deze gebruikshandleiding voordat u het product voor de eerste keer gebruikt! Hier vindt u informatie over het veilige gebruik van het product en de lange levensduur. Let op alle veiligheidsinstructies in dit document!

Hoe deze instructies te gebruiken

Alle benodigde diagrammen zijn te vinden op de eerste pagina's van deze instructies. Binnen de beschrijvingen wordt u geleid door kruisverwijzingen naar de juiste diagrammen.

Voordat u begint...

Beoogd gebruik

Bij gebruik voor het beoogde doel komt dit apparaat overeen met de stand van de techniek, evenals met de huidige veiligheidseisen ten tijde van de introductie.

De unit is een verwarming voor gebruik in overdekte buitenruimtes.

Het apparaat is niet geschikt voor commercieel of industrieel gebruik.

Elk ander type gebruik is ongepast. Oneigenlijk gebruik of wijzigingen aan het apparaat of het gebruik van componenten die niet zijn getest en goedgekeurd door de fabrikant kunnen leiden tot onvoorziene schade!

Elk gebruik dat afwijkt van het bedoelde gebruik en niet is opgenomen in deze instructies, wordt beschouwd als ongeoorloofd gebruik en ontslaat de fabrikant van zijn of haar wettelijke aansprakelijkheid.





WAARSCHUWING!

Kinderen jonger dan 3 jaar moeten worden weggehouden, tenzij ze voortdurend onder toezicht staan.

WAARSCHUWING!

Kinderen vanaf 3 jaar en jonger dan 8 jaar mogen het apparaat alleen in-/uitschakelen als het in de beoogde normale bedrijfsstand is geplaatst of geïnstalleerd en zij op een veilige manier toezicht hebben gehouden op of instructies hebben gekregen over het gebruik van het apparaat en inzicht hebben in de gevaren die ermee gepaard gaan. Kinderen vanaf 3 jaar en jonger dan 8 jaar mogen het apparaat niet aansluiten, reguleren en reinigen en mogen geen onderhoud aan het apparaat uitvoeren.

WAARSCHUWING!

Installeer het apparaat NIET in de buurt van brandbare materialen zoals gordijnen.
Blijf uit de buurt van brandbare apparaten.

WAARSCHUWING!

Om oververhitting te voorkomen: Het toestel niet afdekken!

WAARSCHUWING!

Er mogen op geen enkel moment brandbare materialen of producten op dit product worden geplaatst!

LET OP!

Sommige onderdelen van dit product kunnen zeer heet worden en brandwonden veroorzaken. Er dient bijzondere aandacht te worden besteed aan de aanwezigheid van kinderen en kwetsbare personen.

OPMERKING!

Als de voedingskabel defect of beschadigd is,
het moet daarom worden vervangen door een erkende reparateur.

Probeer de stroomkabel NIET zelf door te knippen of te repareren.
De garantie is ongeldig als de voedingskabel is doorgeknipt.

LET OP! - ALGEMENE INFORMATIE

Zorg er na de installatie voor dat eventuele afvoergaten vrij zijn van obstructies (indien van toepassing).

OPMERKING!

Om de levensduur van uw product te verlengen, raden wij u een afdekking aan.
Een afdekking is optioneel en apart verkrijgbaar.





Voor uw veiligheid

Algemene veiligheidsinstructies

- Om dit apparaat veilig te gebruiken, moet de gebruiker deze gebruiksinstructies hebben gelezen en begrijpen voordat hij het apparaat voor de eerste keer gebruikt.
- Neem alle veiligheidsinstructies in acht! Als u dit niet doet, kan dit schade toebrengen aan u en anderen.
- Bewaar alle gebruiksinstructies en veiligheidsinstructies voor toekomstig gebruik.
- Als u het apparaat verkoopt of doorgeeft, moet u ook deze gebruiksaanwijzing overhandigen.
- Het apparaat mag alleen worden gebruikt als het goed functioneert. Als het product of een deel van het product defect is, moet het buiten werking worden gesteld en op correcte wijze worden verwijderd.
- Gebruik het apparaat nooit in een ruimte waar ontploffingsgevaar bestaat of in de buurt van ontvlambare vloeistoffen of gassen.
- Zorg er altijd voor dat een uitgeschakeld apparaat niet per ongeluk opnieuw kan worden opgestart.
- Gebruik geen apparaten met een aan / uit-schakelaar die niet goed functioneert.
- Houd kinderen uit de buurt van het apparaat! Houd het apparaat uit de buurt van kinderen en andere onbevoegde personen.
- Overbelast het apparaat niet. Gebruik het apparaat niet voor doeleinden waarvoor het niet is bedoeld.
- Wees voorzichtig en werk alleen in goede staat: als u moe of ziek bent, als u alcohol, medicijnen of illegale drugs heeft ingenomen, mag u het apparaat niet gebruiken, omdat u niet in de veilige toestand verkeert.
- Dit product is niet bedoeld voor gebruik door personen (inclusief kinderen) of die beperkt zijn in hun fysieke, sensorische of mentale capaciteiten of die geen ervaring en / of kennis van het product hebben, tenzij ze onder toezicht staan of zijn geïnstrueerd over het gebruik van dit product. Gebruik het product door een persoon die verantwoordelijk is voor hun veiligheid.
- Zorg ervoor dat kinderen niet met het apparaat kunnen spelen.
- Houd u altijd aan alle toepasselijke nationale en internationale veiligheids-, gezondheids- en werkregelingen.

Electrische veiligheid

- Het apparaat mag alleen worden aangesloten op een stopcontact die correct is geïnstalleerd en is geaard.
- De zekering moet een aardlekschakelaar zijn met een gemeten reststroom van niet meer dan 30 mA.
- Zorg ervoor dat de voeding overeenkomt met de verbindingsspecificaties van het apparaat voordat het wordt aangesloten.
- Het gereedschap mag alleen binnen de aangegeven beperkingen voor spanning en vermogen worden gebruikt (zie typeplaatje).
- Raak de stekker niet met natte handen aan! Trek altijd de stekker uit het stopcontact en niet aan de kabel.
- Buig, plet, trek of rij niet over de voedingskabel, bescherm tegen scherpe randen, olie en hitte.
- Til het apparaat niet op aan de kabel of gebruik de kabel niet voor andere doeleinden.
- Controleer de stekker en de kabel vóór elk gebruik.
- Koppel de stekker los als de stroomkabel beschadigd is. Gebruik het apparaat nooit als het netsnoer is beschadigd.
- Controleer als het apparaat niet in gebruik is de stekker uit het stopcontact.
- Zorg ervoor dat het apparaat is uitgeschakeld voordat u de stekker in het stopcontact steekt.
- Zorg dat het apparaat is uitgeschakeld voordat u het loskoppelt.
- Ontkoppel de voeding voordat u het apparaat vervoert.

Apparaat specifieke veiligheidsinstructies

- Het apparaat mag niet binnenshuis worden gebruikt.
- Het apparaat mag niet worden gebruikt in de buurt van zwembaden, tuinvijvers enz.
- Verplaats het apparaat niet wanneer het in gebruik is.
- Kantel het apparaat niet wanneer het in gebruik is.



- Steek geen voorwerpen door de ventilatiesleuven in het apparaat. Levensgevaar!
- De opening tussen de ventilatiesleuven en brandbare voorwerpen moet minimaal 75 cm zijn.
- Het apparaat mag niet bedekt worden. Dit veroorzaakt brandgevaar.
- Het apparaat moet worden gemonteerd op een vlak, horizontaal oppervlak met ruimte eromheen. De veiligheidslacunes moeten altijd worden aangehouden.
- Stel het apparaat nooit bloot aan water of andere vloeistoffen.
- Gebruik de kachel nooit met een timer of een andere schakelaar die het apparaat automatisch activeert, omdat dit een risico van brand met zich meebrengt.
- De verwarmers zijn mogelijk niet direct onder een stopcontact geplaatst.
- Symbolen die op uw apparaat zijn aangebracht, mogen niet worden verwijderd of afgedekt. Informatie over het apparaat die niet meer leesbaar is, moet onmiddellijk worden vervangen.

Schoonmaak

- Schakel het apparaat uit en laat het volledig afkoelen.
- Koppel de voedingsbron los.
- Veeg het apparaat af met een vochtige doek.
- Gebruik een borstel met lange, zachte borstelharen om de verwarmingsstaven en de reflector schoon te maken.

Verwijdering



Verwijdering van het apparaat

Apparaten die zijn gelabeld met het symbool ernaast, mogen niet met het huisvuil worden weggegooid. U moet deze oude elektrische en elektronische apparatuur afzonderlijk verwijderen.

Door afzonderlijke verwijdering stuurt u oude apparatuur voor recycling of voor andere vormen van hergebruik.

Zo helpt u voorkomen dat in sommige gevallen schadelijk materiaal in het milieu terecht komt.

Verwijdering van de verpakking

De verpakking bestaat uit karton en dienovereenkomstig gemarkeerde kunststoffen die gerecycled kunnen worden.

- Maak deze materialen beschikbaar voor recycling.



GARANTIEKAART



2 jaar beperkte garantie

Vul dit formulier in en stuur het per fax of e-mail naar de onderstaande nummers. Als het product defect blijkt te zijn, stuur het dan samen met het aankoopbewijs terug naar de verkoper.

- Gelieve een scan/kopie van de kassabon bij te voegen.
- Gelieve foto's/afbeeldingen en een beschrijving van het defecte of beschadigde product bij te voegen.

Uw naam:

Adres:

E-mail adres:

Postcode:

Product

Model nummer:

Serie nummer:

(vermeld op het gegevensplaatje op de achterzijde van het apparaat)

Plaats van aankoop:

Datum van aankoop:

Jaar:

OutTrade B.V.
Meeleweg 76
7711 EP Nieuwleusen
The Netherlands

Tel: +31-529—48 28 08
Fax: +31-529—48 49 10

info@outtrade.eu
www.outtrade.eu

Beschrijf het defect:



DE Terrassenheizstrahler

Originalbetriebsanleitung

Sehr geehrte Kundin, sehr geehrter Kunde,

wir freuen uns über Ihr Vertrauen!

Lesen Sie vor der ersten Inbetriebnahme unbedingt diese Gebrauchsanweisung! Hier finden Sie alle Hinweise für einen sicheren Gebrauch und eine lange Lebensdauer des Gerätes. Beachten Sie unbedingt alle Sicherheitshinweise in dieser Anweisung!

Zum Umgang mit dieser Gebrauchsanweisung

Alle erforderlichen Abbildungen und Hinweise zum Aufbau dieses Heizstrahlers finden Sie in dieser Gebrauchsanweisung auf den ersten Seiten. Innerhalb der Beschreibungen werden Sie durch Verweise zu den entsprechenden Abbildungen geführt.

Bevor Sie beginnen...

Bestimmungsgemäßer Gebrauch

Das Gerät entspricht dem Stand von Wissenschaft und Technik, sowie den geltenden Sicherheitsbestimmungen zum Zeitpunkt des Inverkehrbringens im Rahmen seiner bestimmungsgemäßen Verwendung.

Das Gerät ist als Heizgerät für den überdachten Außenbereich bestimmt.

Das Gerät ist nicht für den gewerblichen Gebrauch konzipiert.

Jede andere Verwendung ist bestimmungswidrig. Durch bestimmungswidrige Verwendung, Veränderungen am Gerät oder durch den Gebrauch von Teilen, die nicht vom Hersteller geprüft und freigegeben sind, können unvorhersehbare Schäden entstehen!

Jede nicht bestimmungsgemäße Verwendung bzw. alle nicht in dieser Gebrauchsanweisung beschriebenen Tätigkeiten am Gerät sind unerlaubter Fehlgebrauch außerhalb der gesetzlichen Haftungsgrenzen des Herstellers.





WARNUNG!

Kinder unter 8 Jahren sollten das Gerät nur ein- oder ausschalten dürfen, wenn es in seiner vorgesehenen normalen Betriebsposition aufgestellt bzw. installiert wurde und die Kinder beaufsichtigt werden oder in den sicheren Betrieb des Geräts eingewiesen wurden und die damit verbundenen Gefahren verstanden haben. Kinder unter 8 Jahren dürfen das Gerät nicht an eine Steckdose anschließen, benutzen, reinigen oder warten.

WARNUNG!

Das Gerät NICHT in der Nähe von brennbaren Materialien, wie z. B. Vorhängen, montieren.

Von brennbaren Geräten fernhalten.

WARNUNG!

Um Überhitzung zu vermeiden, das Gerät nicht abdecken!

WARNUNG!

Keinesfalls brennbare Stoffe oder Gegenstände auf das Gerät legen!

ACHTUNG!

Einige Teile dieses Geräts können sehr heiß werden und Verbrennungen verursachen. Besondere Vorsicht ist geboten, wenn Kinder und gefährdete Personen anwesend sind.

HINWEIS!

Wenn das Netzkabel defekt oder beschädigt ist, muss es durch eine Vertragswerkstatt ersetzt werden.

Versuchen Sie NICHT, das Netzkabel selbst zu durchtrennen oder zu reparieren.

Wenn das Netzkabel durchtrennt wird, erlischt die Gewährleistung.

HINWEIS! – ALLGEMEINE INFORMATION

Vergewissern Sie sich nach der Montage, dass alle Ablauflöcher frei von Verstopfungen sind (falls zutreffend).

HINWEIS!

Um die Lebensdauer Ihres Geräts zu verlängern, empfehlen wir eine Schutzhülle.

Schutzhüllen sind optional und separat erhältlich.





Zu Ihrer Sicherheit

Allgemeine Sicherheitshinweise

- Für einen sicheren Umgang mit diesem Gerät muss der Benutzer des Gerätes diese Gebrauchsanweisung vor der ersten Benutzung gelesen und verstanden haben.
- Beachten Sie alle Sicherheitshinweise! Wenn Sie die Sicherheitshinweise missachten, gefährden Sie sich und andere.
- Bewahren Sie alle Gebrauchsanweisungen und Sicherheitshinweise für die Zukunft auf.
- Wenn Sie das Gerät verkaufen oder weitergeben, händigen Sie unbedingt auch diese Gebrauchsanweisung aus.
- Das Gerät darf nur benutzt werden, wenn es einwandfrei in Ordnung ist. Ist das Gerät oder ein Teil davon defekt, muss es außer Betrieb genommen und fachgerecht entsorgt werden.
- Verwenden Sie das Gerät nicht in explosionsgefährdeten Räumen oder in der Nähe von brennbaren Flüssigkeiten oder Gasen!
- Ausgeschaltetes Gerät immer gegen unbeabsichtigtes Einschalten sichern.
- Benutzen Sie keine Geräte, bei denen der Ein-Aus-Schalter nicht ordnungsgemäß funktioniert.
- Halten Sie Kinder vom Gerät fern! Bewahren Sie das Gerät sicher vor Kindern und unbefugten Personen auf.
- Überlasten Sie das Gerät nicht. Benutzen Sie das Gerät nur für Zwecke, für die es vorgesehen ist.
- Bitte gebrauchen Sie den Heizstrahler immer mit Umsicht und nur in guter Verfassung: Müdigkeit, Krankheit, Alkoholkonsum, Medikamenten- und Drogeneinfluss sind unverantwortlich, da Sie das Gerät nicht mehr sicher benutzen können.
- Dieses Gerät ist nicht dafür bestimmt, durch Personen (einschließlich Kinder) mit eingeschränkten physischen, sensorischen oder geistigen Fähigkeiten oder Mangel an Erfahrung und/oder Wissen benutzt zu werden, es sei denn, sie werden durch eine für ihre Sicherheit zuständige Person beaufsichtigt oder erhalten von dieser Anweisungen, wie das Gerät zu benutzen ist.
- Stellen Sie sicher, dass Kinder nicht mit dem Gerät spielen.
- Immer die gültigen nationalen und internationalen Sicherheits-, Gesundheits- und Arbeitsvorschriften beachten.

Elektrische Sicherheit

- Das Gerät darf nur an eine Steckdose mit ordnungsgemäß installiertem Schutzkontakt angeschlossen werden.
- Die Absicherung muss mit einem Fehlerstrom-Schutzschalter (FI-Schalter) mit einem Bemessungsfehlerstrom von nicht mehr als 30 mA erfolgen.
- Vor Anschließen des Gerätes muss sichergestellt sein, dass der Netzanschluss den Anschlussdaten des Gerätes entspricht.
- Das Gerät darf nur innerhalb der angegebenen Grenzen für Spannung und Leistung verwendet werden (siehe Typenschild).
- Netzstecker nicht mit nassen Händen anfassen! Netzstecker immer am Stecker, nicht am Kabel herausziehen.
- Netzkabel nicht knicken, quetschen, zerren oder überfahren; vor scharfen Kanten, Öl und Hitze schützen.
- Gerät nicht am Kabel anheben oder Kabel anderweitig zweckentfremden.
- Kontrollieren Sie vor jeder Benutzung Stecker und Kabel.
- Bei Beschädigung des Netzkabels umgehend Netzstecker ziehen. Gerät nie mit beschädigtem Netzkabel benutzen.
- Bei Nichtbenutzung muss immer der Netzstecker gezogen sein.
- Vor Einstecken des Netzsteckers sicherstellen, dass das Gerät ausgeschaltet ist.
- Vor Ziehen des Netzsteckers immer Gerät ausschalten.
- Gerät beim Transport stromlos schalten.

Gerätespezifische Sicherheitshinweise

- Das Gerät darf nicht in Innenräumen betrieben werden.
- Das Gerät darf nicht in der Nähe von Swimmingpools, Gartenteichen etc. betrieben werden.
- Gerät während des Betriebs nicht bewegen.
- Gerät während des Betriebs nicht neigen.
- Niemals Gegenstände durch die Lüftungsgitter in das Gerät führen. Lebensgefahr!
- Der Abstand zwischen Lüftungsgitter und brennbaren Gegenständen muss mindestens 75 cm betragen.



- Das Gerät darf nicht abgedeckt werden. Es besteht Brandgefahr.
- Das Gerät muss ringsum frei auf einem ebenen waagerechten Untergrund stehen. Die Sicherheitsabstände müssen immer eingehalten werden.
- Das Gerät niemals Wasser oder anderen Flüssigkeiten aussetzen.
- Benutzen Sie das Heizgerät nicht mit einem Zeitschalter oder einem anderen Schalter, der das Gerät automatisch einschaltet, da sonst Brandgefahr besteht.
- Das Heizgerät darf nicht unmittelbar unterhalb einer Wandsteckdose aufgestellt werden.
- Symbole, die sich an Ihrem Gerät befinden, dürfen nicht entfernt oder abgedeckt werden. Nicht mehr lesbare Hinweise am Gerät müssen umgehend ersetzt werden.

Reinigung

- Gerät ausschalten und vollständig abkühlen lassen.
- Netzstecker ziehen.
- Gerät mit leicht angefeuchtetem Tuch abwischen.
- Zur Reinigung von Heizstäben und Reflektor einen Pinsel mit langen, weichen Borsten verwenden.

Entsorgung

Gerät entsorgen



Geräte, die mit dem nebenstehenden Symbol gekennzeichnet sind, dürfen nicht mit dem Hausmüll entsorgt werden. Sie sind verpflichtet, solche Elektro- und Elektronikaltgeräte separat zu entsorgen.

Mit der getrennten Entsorgung führen Sie die Altgeräte dem Recycling oder anderen Formen der Wiederverwertung zu. Sie helfen damit zu vermeiden, dass u. U. belastende Stoffe in die Umwelt gelangen.

Verpackung entsorgen

Die Verpackung besteht aus Karton und entsprechend gekennzeichneten Kunststoffen, die wiederverwertet werden können.

Führen Sie diese Materialien der Wiederverwertung zu.



GARANTIEKARTE



2 Jahre eingeschränkte Garantie

Füllen Sie bitte das vorliegende Formular aus und senden Sie es per E-Mail oder Fax an die unten angegebenen Nummern. Sollte sich das Produkt als mangelhaft erweisen, geben Sie es an den Verkäufer zurück, samt dem Einkaufsnachweis.

- Legen Sie bitte Scan/Kopie der Kaufrechnung bei.
- Fügen Sie bitte Fotos/ Bilder und Beschreibung des mangelhaften oder beschädigten Produkts.

Ihr Name:

Adresse:

E-mail-Adresse:

Postleitzahl:

Product name:

Modellnummer:

Seriennummer:

(ist auf dem Typenschild auf der Rückseite des Geräts zu finden)

Einkaufsdatum:

Datum:

Jahr:

OutTrade B.V.
Meeleweg 76
7711 EP Nieuwleusen
The Netherlands

Tel: +31-529—48 28 08
Fax: +31-529—48 49 10

info@outtrade.eu
www.outtrade.eu

Beschreiben Sie Mängel



IT Irradiatore di calore da terrazza

Traduzione delle istruzioni originali

Gentili clienti,

grazie per la fiducia accordataci.

Prima della messa in funzione raccomandiamo di leggere le presenti istruzioni per l'uso! Qui sono presenti tutte le note inerenti ad un uso sicuro dell'apparecchio e ad una sua lunga durata.

Sull'uso delle presenti istruzioni per l'uso

Tutte le figure necessarie si trovano alla prima pagina delle presenti istruzioni per l'uso. Durante la descrizione verranno fatti dei rimandi alle rispettive figure d'interesse.

Prima di cominciare...

Utilizzo conforme alla destinazione d'uso

L'apparecchio corrisponde allo stato dell'arte della scienza e della tecnica, nonché alle prescrizioni di sicurezza in vigore al momento della commercializzazione nell'ambito del suo utilizzo convenzionale.

L'apparecchio è destinato al riscaldamento in ambienti esterni coperti.

L'apparecchio non è stato progettato per uso a livello industriale.

Qualsiasi altro impiego è da considerarsi non conforme alla destinazione d'uso. L'impiego non conforme alla destinazione d'uso, le modifiche all'apparecchio o l'utilizzo di pezzi non collaudati né autorizzati dal costruttore possono causare danni imprevedibili.

Qualsiasi utilizzo differente da quello per lo scopo per cui l'apparecchio è stato progettato e realizzato e qualsivoglia attività sullo stesso non descritta nelle presenti istruzioni equivalgono ad uso improprio non consentito, al di fuori dei limiti legali di responsabilità del fabbricante.





AVVERTENZA!

I bambini sotto i 3 anni non dovrebbero essere lasciati soli senza controllo vicino all'apparecchio.

AVVERTENZA!

I bambini tra i 3 e gli 8 anni possono accendere/spengere l'apparecchio a condizione che esso sia stato collocato o installato nella sua posizione definitiva, che siano sotto il controllo di una persona responsabile o che siano stati istruiti su come usare in modo sicuro l'apparecchio e che conoscano e capiscano tutti i pericoli legati all'utilizzo dell'apparecchio. I bambini tra i 3 e gli 8 anni non dovrebbero attaccare l'apparecchio alla presa di corrente, regolarlo o pulirlo, né dovrebbero farne la manutenzione che si richiede all'utilizzatore.

AVVERTENZA!

È VIETATO installare l'apparecchio vicino a materiali infiammabili, come, ad esempio, delle tende. L'apparecchio deve essere installato lontano da altri apparecchi infiammabili.

AVVERTENZA!

Per evitare il surriscaldamento: è vietato coprire l'apparecchio!

AVVERTENZA!

È sempre vietato posare sull'apparecchio materiali o prodotti infiammabili!

ATTENZIONE!

Alcuni elementi dell'apparecchio possono raggiungere una temperatura molto elevata e possono causare ustioni. Bisogna prestare particolare attenzione se ci sono bambini nelle vicinanze e altre persone a rischio.

NOTA!

Se il cavo di alimentazione è difettoso o danneggiato deve essere sostituito da personale professionalmente qualificato.

È VIETATO cercare di tagliare o riparare da soli il cavo di alimentazione. Tagliare il cavo di alimentazione invalida la garanzia.

NOTA! – INFORMAZIONI GENERALI

Dopo aver finito di installare l'apparecchio bisogna assicurarsi che tutte le uscite dell'aria siano aperte e libere da qualsiasi ostruzione e impurità (se l'apparecchio è dotato di tali componenti).

NOTA!

Per allungare la vita del vostro prodotto si consiglia di usare una copertura protettiva.

La copertura protettiva fa parte delle dotazioni opzionali ed è disponibile indipendentemente dall'apparecchio.





Per la vostra sicurezza

Precauzioni generali

- Per lavorare e gestire questo apparecchio in sicurezza è necessario che l'utilizzatore se ne serva per la prima volta dopo aver letto e ben compreso le presenti istruzioni per l'uso.
- Osservare tutte le precauzioni! Se non si osservano le indicazioni di sicurezza, si mettono in pericolo se stessi e gli altri.
- Conservare tutti i documenti con le istruzioni per l'uso e le precauzioni per il futuro.
- In caso di vendita o di cessione dell'apparecchio, è indispensabile consegnare insieme anche le presenti istruzioni per l'uso.
- L'apparecchio può essere utilizzato esclusivamente se si trova in perfette condizioni operative. Se il dispositivo o una parte di esso presenta un difetto bisogna subito spegnerlo e smaltirlo nel modo corretto.
- Non utilizzare mai l'apparecchio in ambienti a rischio d'esplosione o nelle vicinanze di liquidi o gas infiammabili!
- Assicurare sempre un apparecchio spento contro riaccensioni impreviste.
- Non usare apparecchi nei quali l'interruttore on/off non funziona correttamente.
- Tenga lontani i bambini dall'apparecchio! Conservi l'apparecchio al sicuro da bambini e persone non autorizzate.
- Non sovraccaricare l'apparecchio. Utilizzare l'apparecchio solo per gli scopi previsti.
- Lavorare sempre con prudenza e in perfette condizioni personali: stanchezza, malattie, uso di alcol, influenze di medicinali o droghe non permettono di avere un comportamento responsabile poiché non consentono di utilizzare l'apparecchio con sicurezza.
- Questo dispositivo non è concepito per essere utilizzato da persone (inclusi i bambini) con limitazioni fisiche, psichiche o sensoriali o prive di esperienza riguardo all'uso del dispositivo stesso e le stesse dovrebbero essere sorvegliate da una persona competente, la quale dovrebbe istruirli sull'uso corretto del dispositivo.
- Assicurarsi che i bambini non giochino con l'apparecchio.
- Osservare sempre le normative nazionali e internazionali in vigore e inerenti alla sicurezza, alla salute e al lavoro.

Sicurezza elettrica

- Collegare gli apparecchi soltanto ad una presa di corrente con contatto di protezione correttamente installato.
- La protezione deve essere eseguita con un salvavita (interruttore di protezione) con una corrente di guasto nominale non superiore a 30 mA.
- Prima di collegare l'apparecchio alla rete elettrica, assicurarsi che l'allacciamento di rete coincida con i dati d'allacciamento.
- Gli apparecchi si devono usare soltanto nei limiti indicati per la tensione, la potenza e la velocità nominale (vedi targhetta identificativa).
- Non toccare la spina con le mani bagnate! La spina è sempre la spina, non tiri mai il cavo.
- Non piegare, schiacciare, trascinare o travolgere il cavo di rete; proteggerlo dai bordi taglienti, dall'olio e dal calore.
- Non sollevare mai l'apparecchio per il cavo; non utilizzare mai il cavo per altri scopi.
- Prima di ogni utilizzo controllare spina e cavo.
- Se il cavo di alimentazione è danneggiato staccare subito la spina dalla presa di corrente. Non utilizzare mai l'apparecchio con il cavo di rete danneggiato.
- Quando non si utilizza l'apparecchio, staccare sempre la spina.
- Prima di collegare la spina alla presa di corrente, accertarsi che l'apparecchio sia spento.
- Prima di staccare la spina dalla presa di corrente, spegnere sempre l'apparecchio.
- Disinserire la tensione di alimentazione dell'apparecchio durante il trasporto.

Indicazioni specifiche sull'apparecchio

- L'apparecchio non deve essere utilizzato in ambienti interni.
- L'apparecchio non deve essere utilizzato in prossimità di piscine, stagni ecc.
- Non muovere l'apparecchio mentre è in funzione.
- Non inclinare l'apparecchio mentre è in funzione.



- Non introdurre mai oggetti nell'apparecchio attraverso le griglie di ventilazione. Pericolo di morte!
- La distanza tra le griglie di ventilazione e gli oggetti infiammabili deve essere di almeno 75 cm.
- L'apparecchio non va coperto. Pericolo di incendio.
- L'apparecchio deve essere disposto su una base orizzontale piana senza ostacoli tutt'intorno. Le distanze di sicurezza devono essere sempre rispettate.
- Non esporre mai l'apparecchio ad acqua o altri liquidi.
- Non utilizzare l'apparecchio con un timer né con qualsiasi altro interruttore che accenda l'apparecchio automaticamente, altrimenti si rischia di provocare un incendio.
- L'apparecchio non deve essere collocato direttamente sotto ad una presa a parete.

Pulizia

- Spegner e far raffreddare completamente l'apparecchio.
- Togliere la spina d'alimentazione.
- Pulire l'apparecchio con un panno leggermente inumidito.
- Pulire gli elementi radianti e il riflettore con un pennello dalle setole lunghe e morbide.

Smaltimento

Smaltimento dell'apparecchio



Gli apparecchi contrassegnati con il simbolo riportato qui a fianco non vanno smaltiti tra i rifiuti domestici. Questi dispositivi elettronici ed elettrici devono essere smaltiti separatamente.

Con la raccolta differenziata, gli apparecchi vecchi vengono inviati al riciclaggio o ad altre forme di recupero. In tal modo si dà una mano per evitare che eventuali sostanze inquinanti contaminino l'ambiente.

Smaltimento dell'imballaggio

L'imballaggio è composto da cartone e particolari in plastica adeguatamente contrassegnati per essere riciclati.

- Si raccomanda di inviare questi materiali al riciclaggio.



GARANZIA



2 anni di garanzia limitata

Compilare il modulo e inviarlo via fax o e-mail ai numeri sotto riportati. Se il prodotto è difettoso, restituirlo al venditore insieme al documento di acquisto.

- Allegare la scansione/la copia del documento di vendita.
- Allegare foto/immagini e la descrizione del prodotto difettoso o danneggiato.

Cognome:

Indirizzo:

Indirizzo e-mail:

Postcode:

Modello:

Numero del modello:

Numero della serie:

collocato sulla targhetta che
si trova sul retro del dispositi-
vo

Data di acquisto:

Anno:

OutTrade B.V.
Meeleweg 76
7711 EP Nieuwleusen
The Netherlands

Tel: +31-529—48 28 08
Fax: +31-529—48 49 10

info@outtrade.eu
www.outtrade.eu

Descrizione del difetto:



FR Radiateur de terrasse

Traduction de la notice originale

Chère cliente, cher client,

Merci de la confiance que vous nous témoignez !

Avant de procéder à la mise en service initiale du matériel, lisez impérativement ces instructions d'utilisation ! Vous allez y trouver toutes les remarques pour une utilisation sûre et une grande longévité de l'appareil. Respectez impérativement toutes les consignes de sécurité indiquées dans ce manuel !

À propos de ces instructions d'utilisation

Toutes les illustrations nécessaires se trouvent aux premières pages de ces instructions d'utilisation. Au cours des descriptions, il sera fait référence aux illustrations correspondantes.

Avant de commencer...

Utilisation conforme

L'appareil répond aux toutes dernières acquisitions de la technique ainsi qu'aux normes de sécurité en vigueur au moment de sa mise en service dans le cadre de son utilisation conforme.

L'appareil a été conçu comme appareil de chauffage sous abri extérieur.

L'appareil est conçu pour un travail domestique et non artisanal.

Toute autre utilisation est considérée comme non conforme. Un usage non conforme, des modifications de l'appareil ou l'utilisation de pièces non contrôlées et homologuées par le fabricant peuvent entraîner des dommages imprévisibles !

Toute utilisation non conforme à la destination de l'appareil ainsi que toutes les activités non décrites dans le mode d'emploi sont à considérer comme des utilisations incorrectes non couvertes par la garantie du fabricant.





AVERTISSEMENT !

Les enfants de moins de 3 ans doivent être tenus à l'écart à moins d'être surveillés en permanence.

AVERTISSEMENT !

Les enfants âgés de 3 à 8 ans ne doivent allumer/éteindre l'appareil qu'à condition qu'il ait été placé ou installé dans sa position de fonctionnement normale prévue et qu'ils soient surveillés ou aient reçu des instructions concernant l'utilisation de l'appareil en toute sécurité et comprennent les dangers encourus. Les enfants âgés de 3 à 8 ans ne doivent pas brancher, régler ni nettoyer l'appareil ni effectuer l'entretien dont l'utilisateur est chargé.

AVERTISSEMENT !

NE PAS installer à proximité de matériaux combustibles tels que des rideaux.

Installer l'appareil loin des appareils inflammables.

AVERTISSEMENT !

Pour éviter la surchauffe : ne couvrez pas l'appareil !

AVERTISSEMENT !

Aucun matériau ou produit combustible ne doit être placé sur cet appareil à aucun moment !

ATTENTION :

Certains éléments de cet appareil peuvent devenir très chauds et causer des brûlures. Une attention particulière doit être accordée aux enfants et aux personnes vulnérables.

NOTE !

Si le câble d'alimentation est défectueux ou endommagé,

il doit être remplacé par un réparateur agréé.

NE PAS essayez de couper ou de réparer vous-même le câble d'alimentation.

La garantie est annulée si le câble d'alimentation est coupé.

NOTE ! – INFORMATIONS GÉNÉRALES

Après l'installation, assurez-vous que les trous de vidange ne sont pas obstrués (le cas échéant).

NOTE !

Pour prolonger la durée de vie de votre appareil, nous vous recommandons d'utiliser une housse.

Une housse est facultative, elle est disponible séparément.





Pour votre sécurité

Consignes générales de sécurité

- Pour garantir une utilisation sûre de cet appareil, l'utilisateur doit avoir lu et compris le pré-sent mode d'emploi avant la première mise en service de l'appareil.
- Veuillez observer toutes les consignes de sécurité ! La non-observation des consignes de sécurité vous met en danger, vous et votre entourage.
- Conservez soigneusement le mode d'emploi et les consignes de sécurité pour les consulter en cas de besoin.
- Si vous vendez ou donnez l'appareil à un tiers, remettez-lui toujours le manuel d'utilisation correspondant.
- L'appareil peut uniquement être utilisé lorsqu'il est en parfait état. Si l'appareil ou une partie de l'appareil est défectueuse, l'appareil doit être mis hors service et être éliminé de manière adéquate.
- Ne faites pas fonctionner l'appareil dans un local à risque d'explosion, ni à proximité de liquides ou gaz inflammables !
- Sécurisez toujours l'appareil à l'arrêt contre toute remise en marche intempestive.
- N'utilisez aucun appareil dont le commutateur marche-arrêt ne fonctionne pas correctement.
- Ne laissez pas les enfants s'approcher de l'appareil ! Ne laissez pas l'appareil à proximité d'enfants ou de personnes non autorisées à s'en servir.
- Ne surchargez pas l'appareil. N'utilisez l'appareil que pour les travaux pour lesquels il a été conçu.
- Soyez toujours prudent lors du maniement de l'appareil et veillez à ne l'utiliser que lorsque votre état vous le permet : travailler par fatigue, maladie, sous la consommation d'alcool, l'influence de drogues et de médicaments sont des comportements irresponsables étant donné que vous ne pouvez plus utiliser l'appareil avec sécurité.
- L'utilisation de cet appareil n'est pas prévue par des personnes (y compris des enfants) avec des aptitudes physiques, sensorielles ou mentales limitées ou des déficits dans l'expérience et/ou les connaissances, sauf si elles sont surveillées par une personne responsable de leur sécurité ou si elles ont reçues des instructions de ces personnes stipulant de quelle manière l'appareil doit être utilisé.
- Assurez-vous que les enfants ne jouent pas avec l'appareil.
- Respectez systématiquement les règles de sécurité, d'hygiène et de travail en vigueur à l'échelle nationale et internationale.
-

Sécurité électrique

- L'appareil ne doit être raccordé qu'à une prise présentant une mise à la terre réglementaire.
- La protection doit être assurée par un disjoncteur différentiel présentant un courant de fuite assigné de 30 mA maximum.
- Avant de brancher l'appareil, il doit être garanti que le branchement secteur correspond aux données de raccordement de l'appareil.
- L'appareil ne doit être utilisé que dans les limites des seuils définis en matière de tension, de puissance et de vitesse nominale (voir plaque signalétique).
- Ne pas toucher la fiche secteur avec les mains mouillées ! Enlever la fiche secteur par la prise et non pas en tirant sur le câble.
- Ne pliez pas, n'écrasez pas ou n'arrachez pas le câble secteur ; protégez-le des arêtes tranchantes, de l'huile et de la chaleur.
- Ne soulevez pas l'appareil par son câble et n'utilisez pas ce dernier à d'autres fins que celles auxquelles il est destiné.
- Contrôlez la prise et le câble avant chaque utilisation.
- En cas d'endommagement du câble secteur, débranchez immédiatement la fiche secteur. N'utilisez jamais l'appareil si le câble secteur est endommagé.
- Lorsque l'appareil n'est pas utilisé, il faut toujours que la fiche secteur soit débranchée.
- Avant de brancher la fiche secteur, vérifiez que l'appareil est hors tension.
- Avant de débrancher la fiche secteur, éteignez toujours l'appareil.
- Lorsque vous transportez l'appareil, veillez à ce qu'il soit hors tension.



Consignes propres à l'appareil

- L'appareil ne peut être utilisé à l'intérieur.
- L'appareil ne doit jamais être utilisé à proximité des piscines, des jardins, etc.
- Ne pas bouger l'appareil durant son fonctionnement.
- Ne pas pencher l'appareil durant son fonctionnement.
- Ne jamais introduire d'objets dans l'appareil par le biais de la grille d'aération. Danger de mort !
- L'écart entre la grille d'aération et les objets inflammables doit comporter au minimum 75 cm.
- L'appareil ne doit pas être recouvert. Risque d'incendie.
- L'appareil doit être positionné, pourtour dégagé, sur une surface horizontale plane. Les distances de sécurité doivent toujours être respectées.
- Ne jamais exposer l'appareil à l'eau, ni à d'autres substances liquides.
- N'utilisez pas l'appareil avec un programmateur ou un autre interrupteur mettant l'appareil automatiquement en route en raison du risque d'incendie.
- L'appareil ne doit pas être installé directement sous une prise murale.
- Les symboles apposés sur votre appareil ne doivent être ni retirés ni recouverts. Si certaines informations apposées sur l'appareil deviennent illisibles, elles doivent être immédiatement remplacées.

Nettoyage

Risque de blessures !

Débranchez toujours la fiche secteur avant d'effectuer des travaux sur l'appareil.
Danger !

- Arrêter l'appareil et laisser refroidir entièrement.
- Débranchez la fiche secteur.
- Nettoyez l'appareil à l'aide d'un chiffon légèrement humide.
- Pour nettoyer les éléments chauffants et le réflecteur, utiliser un pinceau avec des poils longs et souples.



Mise au rebut de l'appareil

Les appareils signalés par le symbole ci-contre ne doivent pas être jetés avec les ordures ménagères. Vous êtes tenus de mettre au rebut séparément de tels appareils électriques et électroniques usagés.

veillant à la mise au rebut conforme de vos anciens appareils, vous garantirez leur recyclage. Vous contribuerez ainsi à éviter que des substances nocives ne soient rejetées dans la nature.

Mise au rebut de l'emballage

L'emballage se compose de carton et de matières plastiques marquées en conséquence qui peuvent être recyclés.

- Éliminez ces matériaux en les conduisant au recyclage.



BON DE GARANTIE



Garantie limitée de 2 ans

Veuillez remplir ce formulaire et l'envoyer par fax ou par e-mail aux numéros indiqués ci-dessous. Si le produit s'avère défectueux, retournez-le au vendeur avec le justificatif d'achat.

- Joignez une copie numérisée ou une photocopie du justificatif d'achat.
- Joignez des photos ou images et une description du produit défectueux ou endommagé.

Votre nom:

Adresse:

Adresse e-mail:

Code postal:

Numéro du modèle :

Numéro de série:

Numéro de batch:

(indiqué sur la plaque signalétique au dos de l'appareil)

Date d'achat :

Date:

Année:

OutTrade B.V.
Meeleweg 76
7711 EP Nieuwleusen
The Netherlands

Tel: +31-529—48 28 08

Fax: +31-529—48 49 10

info@outtrade.eu

www.outtrade.eu

Veuillez fournir une description du défaut:



ES Traducción del manual de uso original

Estimado Cliente:

Gracias por su confianza.

Antes del arranque, por favor, lea el presente manual de uso. Aquí encontrará indicaciones de uso seguro, que ayudarán a mantener el aparato en buen estado durante mucho tiempo. Es obligatorio observar todas las indicaciones del manual.

Informaciones referentes al uso del presente manual.

Todas las ilustraciones necesarias se encuentran en las primeras páginas del presente manual. En las descripciones se hace referencia a las ilustraciones pertinentes.

Antes de usar...

Uso conforme a la función.

El dispositivo está conforme al estado actual del conocimiento y la técnica y a las disposiciones vigentes de seguridad laboral en la fecha de su edición, en el ámbito de los usos conformes a la función del dispositivo.

El dispositivo desempeña la función de radiador en lugares cubiertos con techo al aire libre.

El dispositivo no es apto para el uso profesional ni industrial.

Cada aplicación distinta no está conforme a la función del dispositivo. Un uso no conforme a la función, la modificación del dispositivo o el uso de piezas de recambio que no están controladas y aprobadas por el fabricante puede resultar en daños inesperados.

Cada uso no conforme a la función del dispositivo o cualquier manipulación no descrita en el presente manual constituyen un uso no permitido fuera del ámbito de responsabilidad del fabricante.





¡ATENCIÓN!

Los menores de 3 años no pueden permanecer alrededor de la máquina sin supervisión.

¡ATENCIÓN!

Los niños entre 3 y 8 años pueden encender/apagar el dispositivo siempre y cuando se coloque o instale en su posición definitiva y los niños estén bajo la supervisión de una persona responsable o estén formados en materia del uso seguro del dispositivo así como conozcan y entiendan todos los riesgos relacionados con el uso del dispositivo. Los niños de 3 a 8 años no deberán activar la corriente del dispositivo, ajustar ni limpiar el dispositivo ni tampoco realizar tareas de mantenimiento requeridas del usuario.

¡ADVERTENCIA!

SE PROHÍBE instalar el dispositivo cerca de los materiales inflamables, tales como cortinas.

El dispositivo debe instalarse en un lugar separado de otros dispositivos inflamables.

¡ADVERTENCIA!

¡Se prohíbe tapan el dispositivo para evitar el sobrecalentamiento!

¡ADVERTENCIA!

¡En ningún momento se puede colocar materiales o productos inflamables sobre el dispositivo!

¡ADVERTENCIA!

Algunos elementos del dispositivo pueden alcanzar temperaturas muy altas y podrán causar quemaduras. Se deberá prestar especial atención en los niños y otras personas en peligro presentes en su cercanía.

¡NOTA!

Si el conducto de alimentación es defectuoso o estropeado, deberá cambiarse por una persona autorizada.

SE PROHÍBE intentar acortar o reparar el conducto de alimentación por cuenta propia. Si el conducto de alimentación se corta, la garantía perderá su validez.

¡NOTA! – INFORMACIONES GENERALES

Tras finalizar la instalación del dispositivo, deberá asegurarse de que todas las aberturas son viables y libres de cualquier polución (siempre y cuando el dispositivo esté equipado con estos componentes).

¡NOTA!

Para prolongar la vida útil del producto es recomendable utilizar la tapa.

La tapa forma parte de los accesorios opcionales y está disponible independientemente del dispositivo.



Por su seguridad

Principios generales de seguridad

- Para garantizar un uso seguro del dispositivo, el usuario debe leer y comprender el manual antes del primer uso del dispositivo.
- Observar todas las indicaciones de seguridad laboral. Quien no observa las indicaciones de seguridad laboral, crea un peligro para sí y para los demás.
- Almacenar todos los manuales y las indicaciones de seguridad para su uso futuro.
- En caso de la venta o de entregar el dispositivo a un tercero, es obligatorio entregar también el presente manual.
- El dispositivo se puede usar sólo si está en un estado técnico impecable. Si el dispositivo o su parte está dañada, hay que apagarlo y eliminarlo de forma profesional.
- ¡No usar en lugares con peligro de explosión ni cerca de líquidos o gases inflamables!
- El dispositivo apagado siempre debe protegerse contra una activación accidental.
- No usar el dispositivo con el interruptor dañado.
- ¡Mantener fuera del alcance de los niños! Proteger el dispositivo contra los niños y las personas no autorizadas.
- No sobrecargar el dispositivo. Usar el dispositivo solamente de acuerdo con su función.
- El trabajo con el dispositivo está permitido sólo a personas que se encuentran en un buen estado de salud y manteniendo el debido cuidado. Las personas cansadas, enfermas o bajo el efecto del alcohol, los medicamentos o la droga no son responsables y no son capaces de usar el dispositivo.
- El dispositivo no puede ser usado por las personas (incluso los niños) que se encuentren en un estado físico sensorial o mental limitado o por las personas que carezcan de experiencia y/o conocimiento, a no ser que sean supervisadas por personas responsables y hayan recibido instrucciones en cuanto al uso del dispositivo.
- No permitir que los niños usen el dispositivo como un juguete.
- Siempre hay que observar las disposiciones legales vigentes, tanto nacionales como internacionales, en lo relativo al SSL.

Seguridad eléctrica

- El dispositivo se puede conectar sólo a un enchufe con la toma de tierra instalada correctamente.
- La protección debe realizarse con el uso de un interruptor diferencial de corriente máxima de 30 mA.
- Antes de conectar el dispositivo, hay que asegurarse de que el acople a la red está conforme a los datos de acople del dispositivo.
- El dispositivo se puede usar sólo dentro del alcance de tensión, potencia y velocidad de rotación nominal indicadas (cf. placa de características).
- ¡No tocar el enchufe con las manos mojadas! Desconectar el cable de red tirando por el enchufe y no el cable.
- El cable de conexión no se puede doblar, aplastar ni pisar; proteger contra los bordes agudos, el aceite y el calor.
- El dispositivo no se puede levantar por el cable. El cable no se puede usar con los objetivos no conformes a su función.
- Antes de cada uso, controlar el enchufe y el cable.
- En caso de un daño en el cable de red, sacar inmediatamente el enchufe de la red. No usar el dispositivo con el cable de red dañado.
- Si el dispositivo no está en uso, el enchufe siempre debe sacarse.
- Antes de conectar el enchufe, asegurarse de que el dispositivo está apagado.
- Antes de sacar el enchufe, siempre desconectar el dispositivo.
- Durante el transporte, desconectar el dispositivo de la red.

Indicaciones específicas para el dispositivo

- No usar el dispositivo en locales cerrados.
- El dispositivo no se puede explotar cerca de piscinas, estanques, etc.
- No mover el dispositivo durante el trabajo.
- No inclinar el dispositivo durante el trabajo.



- Nunca introducir ningunos objetos a través de la malla de ventilación. ¡Peligro de muerte!
- La distancia entre la malla de ventilación y los objetos inflamables debe ser de un mínimo de 75 cm.
- No se puede cubrir el dispositivo. Existe un riesgo de incendio.
- El dispositivo debe colocarse sobre un suelo liso y llano. Dejar un espacio libre alrededor del dispositivo. Siempre observar la distancia de seguridad.
- Nunca permitir que el dispositivo tenga contacto con el agua ni otros líquidos.
- El dispositivo no puede trabajar junto con un temporizador u otro interruptor que provoque una activación automática debido al peligro de incendio.
- El dispositivo no se puede colocar directamente por debajo de un enchufe en la pared.

Se prohíbe sacar o tapar los símbolos que se encuentran en el dispositivo. Las placas informativas ilegibles que se encuentran en el dispositivo se deben recambiar inmediatamente.

Limpeza

- Apagar el dispositivo y dejar enfriarse totalmente.
- Sacar el enchufe de la red.
- Limpiar el dispositivo con un paño ligeramente mojado.
- Para limpiar los calentadores y la lámpara usar una brocha larga y suave.



Eliminación

Eliminación del dispositivo

Los dispositivos señalados con el símbolo indicado al lado no se pueden eliminar junto con los residuos domésticos. Los dispositivos eléctricos y electrónicos gastados deben eliminarse por separado.

Gracias a la eliminación profesional, dichos dispositivos se someten al reciclaje u otra forma de recuperación. Así, se ayuda a evitar la liberación de sustancias nocivas al medio ambiente.

Eliminación del embalaje

El embalaje consiste en una caja de papel y de plásticos debidamente señalados, que se puede volver a usar.

- Entregar los materiales al segundo uso.



TARJETA DE GARANTÍA



2 años de garantía limitada

Cumplimente el presente formulario y mándeselo vía fax o correo electrónico a los números que siguen. Si el producto es defectuoso, se ruega devolverlo al vendedor,

- Adjuntar el escaneo/copia del justificante de venta.
- Adjuntar fotografía/imagen del producto defectuoso o dañado.

Apellido:

Dirección:

Correo electrónico:

Código postal:

Número de modelo:

Número de serie:

Batch:

visible en la placa de características situada detrás del aparato

Fecha de compra:

Año:

OutTrade B.V.
Meeleweg 76
7711 EP Nieuwleusen
The Netherlands

Tel: +31-529—48 28 08
Fax: +31-529—48 49 10

info@outtrade.eu
www.outtrade.eu

Descripción del defecto:



CZ Terasový ohřívač

Překlad původního návodu k používání

Vážená zákaznice, vážený zákazníku,

děkujeme mnohokrát za projevenou důvěru!

Před prvním uvedením přístroje do provozu si bezpodmínečně přečtete tento návod na obsluhu! Naleznete v něm všechny pokyny pro bezpečné používání a dlouhou životnost přístroje. Bezpodmínečně dodržujte všechny bezpečnostní pokyny, uvedené v tomto návodu!

Dříve než začnete...

Použití přiměřené určení

Přístroj odpovídá stavu vědy a techniky i platným bezpečnostním ustanovením v době uvádění do provozu v rámci jeho použití přiměřenému určení.

Přístroj je určen jako ohřívač do zastřešených vnějších prostorů.

Přístroj není koncipován pro profesionální použití.

Každé jiné použití je v rozporu se stanoveným účelem. Použitím, které je v rozporu s určením, změnami na přístroji nebo použitím dílů, které nebyly přezkoušeny a schváleny výrobcem, mohou vzniknout nepředvídatelné škody!

Každé nepřiměřené použití popř. všechny v tomto návodu k použití nepopsané činnosti na přístroji jsou nedovoleným zneužitím mimo zákonné hranice ručení výrobce.





UPOZORNĚNÍ!

Děti mladší 3 let se nesmějí zdržovat v blízkosti zařízení bez dozoru.

UPOZORNĚNÍ!

Děti ve věku od 3 do 8 let mohou zařízení zapínat/vypínat pouze pod podmínkou, že bylo umístěno nebo nainstalováno ve své konečné poloze a že jsou pod dozorem odpovědné osoby nebo že byly poučeny o bezpečném užívání zařízení, a že znají všechny hrozby související s používáním zařízení a rozumějí jim. Děti ve věku od 3 do 8 let nesmějí zařízení zapínat do proudu, seřizovat ani ho čistit, ani nesmějí provádět údržbu požadovanou od uživatele.

UPOZORNĚNÍ!

JE ZAKÁZÁNO instalovat zařízení v blízkosti hořlavých látek, jako jsou např. závěsy.

Zařízení instalujte v dostatečné vzdálenosti od jiných hořlavých zařízení.

UPOZORNĚNÍ!

Pro zabránění přehřátí: Je zakázáno zařízení zakrývat!

UPOZORNĚNÍ!

Nikdy na zařízení nepokládejte žádné hořlavé materiály nebo produkty!

UPOZORNĚNÍ!

Některé části zařízení se mohou nahřívat na velmi vysokou teplotu a mohou způsobit popálení. Věnujte zvláštní pozornost dětem zdržujícím se v blízkosti zařízení a dalším ohroženým osobám.

POZOR!

Je-li napájecí vodič vadný nebo poškozený, musí být vyměněný osobou s příslušným oprávněním.

JE ZAKÁZÁNO vlastnoručně zkracovat nebo opravovat napájecí vodič. Uřezáním napájecího vodiče ztrácíte nárok na záruku.

POZOR! – VŠEOBECNÉ INFORMACE

Po skončení instalace zařízení zkontrolujte, zda jsou všechny odtokové otvory průchodné a neobsahují žádné nečistoty (bylo-li zařízení takovými otvory vybaveno).

POZOR!

Pro prodloužení životnosti vašeho zařízení doporučujeme používat kryt.

Kryt je volitelným vybavením a je dostupný nezávisle na zařízení.



CZ Pro Vaši bezpečnost

Všeobecné bezpečnostní pokyny

- Pro bezpečné zacházení s tímto přístrojem si jeho uživatel musí před prvním použitím přečíst tento návod k použití a porozumět mu.
- Respektujte všechny bezpečnostní pokyny! Pokud nebudete dbát bezpečnostních pokynů, ohrožujete sebe i ostatní.
- Všechny návody k použití a bezpečnostní pokyny si dobře uložte pro pozdější použití.
- Když přístroj prodáváte nebo předáváte dál, bezpodmínečně předejte i tento návod k použití.
- Přístroj se smí používat pouze tehdy, pokud je bez závady. Jsou-li na přístroji nebo na některé jeho součásti závady, musí být vyřazen z provozu a odborně zlikvidován.
- Přístroj nepoužívejte v prostorech ohrožených výbuchem nebo v blízkosti hořlavých kapalin nebo plynů!
- Vypnutý přístroj vždy zajistěte proti neúmyslnému zapnutí.
- Nepoužívejte nářadí, u něhož spínač Zap/Vyp řádně nefunguje.
- Zabraňte dětem v přístupu k přístroji! Uložte přístroj tak, aby byl bezpečně chráněn před dětmi a nepovolanými osobami.
- Nepřetěžujte přístroj. Používejte přístroj pouze pro účely, pro které byl určen.
- Pracujte vždy opatrně a v dobré fyzické kondici: Pracovat během únavy, onemocnění, požití alkoholu, pod vlivem léků a omamných látek je nezodpovědné, protože přístroj nemůžete bezpečně používat.
- Nepoužívejte topné těleso s časovým spínačem nebo s jiným spínačem, který automaticky spíná přístroj, hrozilo by nebezpečí požáru.
- Zabezpečte, aby si děti nehrály s výrobkem.
- Dodržujte vždy platné národní a mezinárodní bezpečnostní, zdravotní a pracovní předpisy.

Elektrická bezpečnost

- Přístroj se smí připojit pouze na zásuvku s řádně instalovaným ochranným kontaktem.
- Zajištění přístroje se musí provést pomocí proudového chrániče (spínač FI) s dimenzovaným chybným proudem nepřesahujícím 30 mA.
- Před připojením přístroje se musí zabezpečit, aby síťová přípojka odpovídala hodnotám pro připojení přístroje.
- Přístroj se smí používat pouze v rámci uvedených limitů napětí, výkonu a otáček (viz typový štítek).
- Nedotýkejte se síťové zástrčky mokřkýma rukama! Síťovou zástrčku vytahuje vždy za konektor, ne za kabel.
- Síťový kabel nepřehýbat, nepřiskřípnout, netahat nebo nepřejíždět, chránit před ostrými hranami, olejem a horkem.
- Přístroj nezdvíhejte za kabel a kabel nepoužívejte na žádné jiné účely.
- Před každým použitím zkontrolujte zástrčku a kabel.
- Při poškození síťového kabelu okamžitě vytáhněte síťovou zástrčku. Nikdy nepoužívejte přístroj s poškozeným síťovým kabelem.
- Pokud se přístroj nepoužívá, musí být síťová zástrčka vždy vytažená.
- Před zasunutím síťové zástrčky zajistěte, aby byl přístroj vypnutý.
- Před vytažením síťové zástrčky přístroj vždy vypněte.
- Pro přepravu uveďte přístroj do stavu bez proudu.

Upozornění specifická pro přístroj

Přístroj se nesmí používat ve vnitřních prostorech.

Přístroj se nesmí používat v blízkosti bazénů, zahradních jezírek apod.

Zapnutý ohřívač nepřemísťovat.

Zapnutý ohřívač nenaklánět.

Nikdy nedávat žádné předměty do větracích mřížek přístroje. Nebezpečí ohrožení života!

Vzdálenost mezi větracími mřížkami a hořlavými předměty musí být minimálně 75 cm.

Přístroj se nesmí zakrývat. Hrozí nebezpečí požáru.



- Příklad musí mít kolem sebe volný prostor a stát na rovném podkladu. Vždy se musejí dodržovat bezpečnostní odstupy.
- Příklad se nikdy nesmí vystavit účinkům vody nebo jiných kapalin.
- Příklad nezapínáte pomocí časového spínače nebo jiným spínačem, který příklad automa-ticky zapne, v opačném případě hrozí nebezpečí požáru.
- Ohříváč se nesmí postavit přímo pod nástěnnou zásuvku.
- Symboly, které se nacházejí na vašem příkladu, se nesmějí odstraňovat ani zakrývat. Nečitelné pokyny na příkladu se musejí okamžitě vyměnit.

Čištění

- Příklad vypněte a nechte úplně vychladnout.
- Vytáhněte zástrčku ze sítě.
- Příklad utřete jemně navlhčeným hadříkem.
- K čištění topných tyčí a reflektorů používejte pouze štětec s dlouhými a měkkými štětinami.



Likvidace

Likvidace přístroje

Přístroje, které jsou označeny vedle uvedeným symbolem, nesmí být vyhazovány do domovního odpadu. Takové staré elektrické a elektronické přístroje jste povinni likvidovat odděleně. Staré přístroje předejte pro recyklaci nebo pro jiný způsob opětovného zhodnocení. Pomůžete tak zabránit tomu, aby se látky, které za určitých okolností zatěžují životní prostředí, dostaly do přírody.

Likvidace balení

Balení se skládá z kartonu a příslušně označených plastů, které mohou být recyklovány.
– Předejte tyto části na recyklaci.



ZÁRUČNÍ LIST



2 roky omezené záruky

Vyplňte laskavě tento formulář a pošlete ho faxem nebo e-mailem na níže uvedená čísla. Je-li produkt závadný, vraťte ho prodejci spolu s nákupním dokladem.

- Přiložte laskavě sken/kopii nákupního dokladu.
- Přiložte laskavě fotografie/obrázky a popis závadného nebo poškozeného produktu.

Vaše příjmení:

Adresa:

E-mailová adresa:

PSČ:

Modelu:

Číslo série

Batch:

umístěno na typovém
štítku na zadní straně
zařízení

Datum nákupu:

Rok:

OutTrade B.V.
Meeleweg 76
7711 EP Nieuwleusen
The Netherlands

Tel: +31-529—48 28 08
Fax: +31-529—48 49 10

info@outtrade.eu
www.outtrade.eu

Popište laskavě závadu:



SK Terasový ohrievač

Preklad pôvodného návodu na použitie

Vážená zákazníčka, vážený zákazník,
ďakujeme za prejavenu dôveru!

Pred prvým uvedením do prevádzky si bezpodmienečne prečítajte tento návod na použitie! Nájdete v ňom všetky pokyny pre bezpečné použitie a dlhú životnosť prístroja. Bezpodmienečne dodržiavajte všetky bezpečnostné pokyny v tomto návode!

Informácie o zaobchádzaní s týmto návodom na použitie

Všetky potrebné obrázky nájdete na prvej strane tohto návodu na použitie. V rámci popisov sa nachádzajú aj odkazy pre vás na príslušné obrázky.

Než začnete...

Použitie pre daný účel

Zariadenie zodpovedá stavu súčasnej vedy a techniky, ako aj bezpečnostným ustanoveniam platným v momente jeho uvedenia do prevádzky v rámci použitia na daný účel.

Prístroj je určený ako ohrievač do zastrešených vonkajších priestorov.

Zariadenie nie je koncipované pre profesionálne použitie.

Každé iné použitie je v rozpore s určením. Pri použití v rozpore s určením, pri zmenách na zariadení alebo použitím dielov, ktoré neboli odskúšané alebo povolené výrobcom, môžu vzniknúť nepredvídané škody!

Každé použitie na iný než daný účel resp. všetky činnosti vykonané na zariadení, ktoré neboli popísané v tomto návode na použitie, sa považujú za nepovolené a nevhodné použitie mimo záručný rozsah výrobcu.



**UPOZORNENIE!**

Deti mladšie ako 3 roky sa nesmú zdržiavať v blízkosti zariadenia bez dozoru.

UPOZORNENIE!

Deti vo veku od 3 do 8 rokov môžu zariadenie zapínať/vypínať iba pod podmienkou, že bolo umiestnené alebo nainštalované v svojej konečnej polohe a že sú pod dozorom zodpovednej osoby alebo že boli poučené o bezpečnom používaní zariadenia, a že poznajú všetky hrozby súvisiace s používaním zariadenia a rozumejú im. Deti vo veku od 3 do 8 rokov nesmú zariadenie zapínať do prúdu, nastavovať ani ho čistiť, ani nesmú vykonávať údržbu požadovanú od používateľa.

UPOZORNENIE!

JE ZAKÁZANÉ inštalovať zariadenie v blízkosti horľavých látok, ako sú napr. závesy.

Zariadenie inštalujte v dostatočnej vzdialenosti od iných horľavých zariadení.

UPOZORNENIE!

Pre zabránenie prehriatiu: Je zakázané zariadenie zakrývať!

UPOZORNENIE!

Nikdy na zariadenie nepokladajte žiadne horľavé materiály alebo produkty!

UPOZORNENIE!

Niektoré časti zariadenia sa môžu nahrievať na veľmi vysokú teplotu a môžu spôsobiť popálenie. Venujte osobitú pozornosť deťom zdržiavajúcim sa v blízkosti zariadenia a ďalším ohrozeným osobám.

POZOR!

Pokiaľ je napájací vodič chybný alebo poškodený, musí byť vymenený osobou s príslušným oprávnením.

JE ZAKÁZANÉ vlastnoručne skracovať alebo opravovať napájací vodič. Urezaním napájacieho vodiča strácate nárok na záruku.

POZOR! – VŠEOBECNÉ INFORMÁCIE

Po skončení inštalácie zariadenie skontrolujte, či sú všetky odtokové otvory priechodné a neobsahujú žiadne nečistoty (pokiaľ zariadenie bolo takými otvormi vybavené).

POZOR!

Pre predĺženie životnosti vášho zariadenia odporúčame používať kryt.

Kryt je voliteľným vybavením a je dostupný nezávisle od zariadenia.



Pre vašu bezpečnosť

Všeobecné bezpečnostné pokyny

- Aby bolo zaistené bezpečné zaobchádzanie s týmto zariadením, je nutné, aby si jeho užívateľ pred prvým použitím prečítal tento návod na obsluhu a porozumel mu.
- Dbajte všetkých bezpečnostných pokynov! Ak nerešpektujete bezpečnostné pokyny, ohrozujete sami seba a druhých.
- Všetky návody na použitie a bezpečnostné pokyny uchovajte pre ďalšie použitie.
- V prípade ďalšieho predaja alebo darovania tohto zariadenia spolu s ním odovzdajte vždy aj tento návod.
- Prístroj sa smie používať len vtedy, keď je v bezchybnom stave. Ak je zariadenie alebo jeho časť chybná, musí sa vyradiť z prevádzky a odborne zlikvidovať.
- Prístroj nepoužívajte v priestoroch ohrozených výbuchom alebo v blízkosti horľavých kvapalín či plynov!
- Vypnutý prístroj vždy zabezpečte proti neúmyselnému zapnutiu.
- Nepoužívajte náradie, u ktorého zapínač/vypínač riadne nefunguje.
- Udržujte deti v dostatočnej vzdialenosti od prístroja! Uchovajte prístroj pred deťmi a nekompetentnými osobami na bezpečnom mieste.
- Nepreťažujte zariadenie. Zariadenie používajte iba na účely, pre ktoré bolo vyrobené.
- Vždy pracujte opatrne a v dobrom fyzickom stave: pracovať počas únavy, choroby, požívania alkoholu, pod vplyvom liekov a drog je nezodpovedné, pretože prístroj nemôžete bezpečne používať.
- Toto zariadenie nie je určené na to, aby ho používali osoby (vrátane detí) s obmedzenými fyzickými, zmyslovými alebo duševnými schopnosťami alebo nedostatkom skúseností a/alebo vedomostí, iba ak sú pod dozorom osoby zodpovednej za ich bezpečnosť alebo boli touto osobou poučené o tom, ako toto zariadenie používať.
- Zabezpečte, aby sa deti nehrali s výrobkom.
- Vždy dodržiavajte platné národné a medzinárodné bezpečnostné, zdravotné a pracovné predpisy.

Elektrická bezpečnosť

- Prístroj sa smie zapojiť len do zásuvky s riadne nainštalovaným ochranným kontaktom.
- Zaistenie prístroja sa musí uskutočniť pomocou prúdového chrániča (spínač FI) s dimenzovaným chybným prúdom nie viac ako 30 mA.
- Pred zapojením prístroja musí byť zabezpečené, že sieťová prípojka zodpovedá prípojným údajom prístroja.
- Prístroj sa smie používať iba v rámci uvedených limitov napätia, výkonu a menovitých otáčok (pozri štítok typu).
- Sieťovú zástrčku nechytajte vlhkými rukami! Sieťovú zástrčku ťahajte vždy za zástrčku, nie za kábel.
- Sieťový kábel neohýbajte, neprivierajte, nemykajte ním, ani po ňom neprechádzajte; chráňte pred ostrými hranami, olejom a vysokými teplotami.
- Prístroj nedvíhajte uchopením za kábel alebo kábel nepoužívajte iným spôsobom.
- Pred každým použitím skontrolujte zástrčku a kábel.
- Pri poškodení sieťového kábla ihneď vytiahnite sieťovú zástrčku. Nikdy nepoužívajte prístroj s poškodeným sieťovým káblom.
- Ak sa prístroj nepoužíva, musí byť sieťová zástrčka stále vytiahnutá.
- Pred zasunutím sieťovej zástrčky zabezpečte, aby bol prístroj vypnutý.
- Pred vytiahnutím sieťovej zástrčky prístroj vždy vypnite.
- Prístroj pri preprave odpojte od prúdu.

Špecifické pokyny k prístroju

- Prístroj sa nesmie prevádzkovať vo vnútorných priestoroch.
- Prístroj sa nesmie používať v blízkosti bazénov, záhradných jazierok a podobne.
- Zapnutý ohrievač nepremiestňovať.
- Zapnutý ohrievač nenakláňať.



- Nikdy nedávať žiadne predmety do vetracích mriežok prístroja. Nebezpečenstvo ohrozenia života!
- Vzdialenosť medzi vetracími mriežkami a horľavými predmetmi musí byť minimálne 75 cm.
- Prístroj sa nesmie zakrývať. Hrozí nebezpečenstvo požiaru.
- Prístroj musí mať okolo seba voľný priestor a musí stáť na rovnom podklade. Vždy musí byť dodržaný bezpečnostný odstup.
- Prístroj nikdy nevystavujte pôsobeniu vody alebo iných kvapalín.
- Ohrievač nespúšťajte časovým spínačom alebo nejakým iným spínačom, ktorý prístroj auto-maticky zapne, pretože hrozí nebezpečenstvo požiaru.
- Ohrievač sa nesmie postaviť priamo pod elektrickú zásuvku.
- Symboly, ktoré sa nachádzajú na prístroji, sa nesmú odstraňovať ani zakrývať. Pokyny na prí-stroji, ktoré už nie sú čitateľné, sa musia ihneď vymeniť.

Čistenie

- Prístroj vypnite a nechajte úplne vychladnúť.
- Vytiahnite sieťovú zástrčku.
- Prístroj utrite jemne navlhčenou handrou.
- Na čistenie vyhrievacích tyčí a reflektorov používajte iba štetec s dlhými a mäkkými štetinami



Likvidácia

Likvidácia zariadenia

Zariadenia, ktoré sú označené vedľa uvedeným symbolom, nesmú byť odstraňované spolu s komunálnym odpadom. Likvidáciu opotrebovaných elektrických a elektronických nástrojov ste povinní vykonávať oddelene. Vďaka oddelenej likvidácii budú opotrebované zariadenia odovzdané na recykláciu alebo inak opätovne zhodnotené. Týmto spôsobom pomáhate zabrániť úniku príp. škodlivých materiálov do životného prostredia.

Likvidácia obalu

Obal sa skladá z kartónu a príslušným spôsobom označených plastov, ktoré sa dajú recyklovať.



ZÁRUČNÝ LIST



2 roky obmedzenej záruky

Vyplňte láskavo tento formulár a pošlite ho faxom alebo e-mailom na nižšie uvedené čísla. Pokiaľ je produkt chybný, vráťte ho predajcovi spolu s nákupným dokladom

- Priložte láskavo naskenovaný nákupný doklad alebo jeho kópiu.
- Priložte láskavo fotografie/obrázky a opis chybného alebo poškodeného produktu.

Vaše priezvisko:

Adresa:

E-mailová adresa:

PSČ:

Modelu:

Číslo série

Batch:

umiestnené na typovom štítku na zadnej strane zariadenia)

Dátum nákupu:

Rok:

OutTrade B.V.
Meeleweg 76
7711 EP Nieuwleusen
The Netherlands

Tel: +31-529—48 28 08
Fax: +31-529—48 49 10

info@outtrade.eu
www.outtrade.eu

Opíšte láskavo chybu:



PL Tarasowy promiennik ciepła

Tłumaczenie instrukcji oryginalnej

Szanowni Klienci,

Cieszymy się, że obdarzyli nas Państwo swoim zaufaniem!

Przed pierwszym uruchomieniem prosimy koniecznie przeczytać niniejszą instrukcję użytkowania! Podano w niej wskazówki dotyczące bezpiecznego użytkowania i zapewniające długi czas eksploatacji urządzenia. Należy bezwzględnie przestrzegać wszelkich wskazówek bezpieczeństwa zawartych w niniejszej instrukcji!

Informacje dotyczące korzystania z niniejszej instrukcji obsługi

Wszystkie niezbędne ilustracje znajdują się na pierwszych stronach niniejszej instrukcji. W opisach do odpowiednich ilustracji prowadzą odsyłacze.

Przed rozpoczęciem...

Użycie zgodne z przeznaczeniem

Urządzenie odpowiada aktualnemu stanowi nauki i techniki oraz obowiązującym przepisom bezpieczeństwa pracy w chwili ukazania się na rynku w ramach zastosowania zgodnego z przeznaczeniem.

Urządzenie jest przeznaczone do użytku jako grzejnik w zadaszonych miejscach na zewnątrz.

Urządzenie nie nadaje się do zastosowania zawodowego lub przemysłowego.

Każde inne zastosowanie jest niezgodne z przeznaczeniem. Zastosowanie niezgodne z przeznaczeniem, wprowadzanie zmian w urządzeniu lub stosowanie części, które nie są sprawdzone i dopuszczone przez producenta, może być przyczyną nieprzewidywalnych uszkodzeń!

Każde użycie niezgodne z przeznaczeniem lub wszystkie nieopisane w niniejszej instrukcji obsługi czynności przy urządzeniu stanowią użycie niedozwolone poza ustawowymi granicami odpowiedzialności producenta.



**OSTRZEŻENIE!**

Dzieci w wieku poniżej 3 lat nie powinny być pozostawiane w pobliżu urządzenia bez nadzoru.

OSTRZEŻENIE!

Dzieci w wieku między 3 a 8 lat mogą włączać/wyłączać urządzenie pod warunkiem, że zostało ono umieszczone lub zainstalowane w swojej docelowej pozycji oraz, że dzieci są pod nadzorem osoby odpowiedzialnej lub zostały przeszkolone w zakresie bezpiecznego użytkowania urządzenia, oraz że znają i rozumieją wszystkie zagrożenia związane z użytkowaniem urządzenia. Dzieci w wieku między 3 a 8 lat nie powinny włączać urządzenia do prądu, regulować ani czyścić go ani nie powinny przeprowadzać konserwacji wymaganej od użytkownika.

OSTRZEŻENIE!

NIE WOLNO instalować urządzenia w pobliżu materiałów łatwopalnych, takich jak np. zasłony. Urządzenie należy instalować z dala od innych, łatwopalnych urządzeń.

OSTRZEŻENIE!

Aby uniknąć przegrzania: Nie wolno przykrywać urządzenia!

OSTRZEŻENIE!

W żadnym momencie nie wolno kłaść na urządzeniu żadnych palnych materiałów czy produktów!

OSTRZEŻENIE!

Niektóre elementy urządzenia mogą rozgrzewać się do bardzo wysokiej temperatury i mogą spowodować oparzenia. Należy zwrócić szczególną uwagę na przebywające w pobliżu dzieci i inne zagrożone osoby.

UWAGA!

Jeśli przewód zasilający jest wadliwy lub uszkodzony, wówczas musi on zostać wymieniony przez osobę posiadającą odpowiednie uprawnienia.

NIE WOLNO podejmować samodzielnych prób skrócenia lub naprawy przewodu zasilającego. Ucięcie przewodu zasilającego spowoduje unieważnienie gwarancji.

UWAGA! – INFORMACJE OGÓLNE

Po zakończeniu instalacji urządzenia należy upewnić się, że wszelkie otwory odpływowe są drożnie i wolne od wszelkich zanieczyszczeń (jeżeli urządzenie zostało wyposażone w takie komponenty).

UWAGA!

Aby przedłużyć trwałość Waszego produktu zaleca się stosowanie pokrywy.

Pokrywa należy do wyposażenia opcjonalnego i jest dostępna niezależnie od urządzenia.





Dla Państwa bezpieczeństwa

Ogólne wskazówki bezpieczeństwa

- Aby zapewnić bezpieczną obsługę urządzenia, użytkownik musi przeczytać i zrozumieć instrukcję obsługi przed pierwszym użyciem urządzenia.
- Przestrzegać wszystkich wskazówek bezpieczeństwa pracy! Gdy nie przestrzega się wskazówek bezpieczeństwa, stwarza się zagrożenie dla siebie i innych.
- Przechowywać wszystkie instrukcje obsługi i wskazówki bezpieczeństwa do przyszłego wykorzystania.
- W przypadku sprzedaży lub przekazania urządzenia, należy również bezwzględnie przekazać niniejszą instrukcję obsługi.
- Urządzenia wolno używać tylko w nienagannym stanie technicznym. Jeśli urządzenie lub jego część jest uszkodzona, należy je wyłączyć i fachowo zutilizować.
- Nie używać urządzenia w pomieszczeniach zagrożonych wybuchem ani w pobliżu cieczy i gazów palnych!
- Wyłączone urządzenie zawsze zabezpieczyć przed niezamierzonym włączeniem.
- Nie używać urządzeń z uszkodzonym włącznikiem/wyłącznikiem.
- Nie dopuszczać dzieci do urządzenia! Chronić urządzenie przed dziećmi i osobami nieupoważnionymi.
- Nie przeciążać urządzenia. Urządzenia używać wyłącznie zgodnie z przeznaczeniem.
- Pracować zawsze, tylko będąc w dobrej kondycji i zachowując należyłą ostrożność. Osoby zmęczone, chore, będące pod wpływem alkoholu, leków lub środków odurzających są nieodpowiedzialne i nie są w stanie bezpiecznie używać urządzenia.
- Urządzenie nie jest przeznaczone do użytkowania przez osoby (także dzieci) znajdujące się w ograniczonym stanie fizycznym, sensorycznym lub umysłowym, bądź którym brakuje doświadczenia i/lub wiedzy, chyba że są pilnowane przez odpowiedzialne osoby i otrzymały od nich instrukcje na temat użytkowania urządzenia.
- Nie pozwól, aby dzieci korzystały z urządzenia dla zabawy. • Należy zawsze przestrzegać obowiązujących krajowych i międzynarodowych przepisów BHP.

Bezpieczeństwo elektryczne

- Urządzenie wolno podłączać tylko do gniazda wtykowego z prawidłowo zainstalowanym stykiem ochronnym.
- Zabezpieczenie musi być zrealizowane za pomocą ochronnego wyłącznika różnicowego o obliczeniowym prądzie uszkodzeniowym nie większym niż 30 mA.
- Przed podłączeniem urządzenia należy upewnić się, że przyłącze sieciowe odpowiada danym przyłączeniowym urządzenia.
- Urządzenie wolno stosować tylko w podanym zakresie napięcia, mocy i nominalnej prędkości obrotowej (patrz tabliczka znamionowa).
- Nie dotykać wtyczki mokrymi dłońmi! Kabel sieciowy zawsze odłączać pociągając za wtyczkę a nie kabel.
- Nie wolno zaginać, zgniatć lub przejeżdżać przez kabel sieciowy; chronić przed ostrymi narzędziami, olejem i gorącem.
- Urządzenia nie wolno podnosić za kabel ani używać kabli w celach niezgodnych z przeznaczeniem.
- Przed każdym użyciem sprawdzać wtyczkę i przewód.
- W razie uszkodzenia kabla sieciowego natychmiast wyjąć wtyczkę z gniazda. Nigdy nie używać urządzenia z uszkodzonym kablem sieciowym.
- Jeśli urządzenie nie jest używane, wtyczka musi być zawsze wyciągnięta z gniazda.
- Przed włożeniem wtyczki do kontaktu upewnić się, że urządzenie jest wyłączone.
- Przed wyciągnięciem wtyczki z kontaktu zawsze wyłączać urządzenie.
- Na czas transportu odłączyć urządzenie od prądu.

Wskazówki specyficzne dla urządzenia

Nie wolno stosować urządzenia w pomieszczeniach zamkniętych.

Urządzenia nie wolno eksploatować w pobliżu basenów kąpielowych, stawów ogrodowych itp.

Nie poruszać urządzeniem podczas pracy.

Nie przechylać urządzenia podczas pracy.

Nigdy nie wkładać do urządzenia żadnych przedmiotów przez kratkę wentylacyjną. Zagrożenie życia!

Odległość pomiędzy kratką wentylacyjną a przedmiotami palnymi powinna wynosić co najmniej 75 cm.

Nie wolno przykrywać urządzenia. Istnieje niebezpieczeństwo pożaru.

Urządzenie musi być ustawione na płaskim, poziomym podłożu. Dookoła urządzenia należy pozostawić wolną przestrzeń. Zawsze przestrzegać odległości bezpieczeństwa.



- Nigdy nie wystawiać urządzenia na działanie wody ani innych cieczy.
- Urządzenie nie może pracować z przełącznikiem czasowym ani innym przełącznikiem powo-dującym automatyczne włączenie z powodu niebezpieczeństwa pożaru.
- Urządzenia nie wolno ustawiać bezpośrednio pod gniazdkiem na ścianie.
- Zabrania się zdejmowania lub zakrywania symboli znajdujących się na urządzeniu. Nieczy-telne tabliczki z informacjami na urządzeniu należy niezwłocznie wymienić.

Czyszczenie

- Wyłączyć urządzenie i pozostawić do całkowitego wychłodzenia.
- Wyjąć wtyczkę z gniazdka.
- Wyrzeć urządzenie lekko zwilżoną ściereczką.
- Do czyszczenia grzałek i reflektora stosować pędzel z długim, miękkim włosiem.



Utylizacja

Utylizacja urządzenia

Urządzenia, które są oznakowane znajdującym się obok symbolem, nie mogą być usu-wane ze śmieciami do-mowymi. Stare przyrządy elektryczne i elektroniczne trzeba pod-dawać oddzielnej utylizacji.

Dzięki utylizacji stare urządzenia poddawane są recyklingowi lub innej formie odzysku. W ten sposób pomaga się uniknąć uwalniania się ewentualnych zanieczyszczeń do środowiska naturalnego.

Utylizacja opakowania

Opakowanie składa się z kartonu i odpowiednio oznakowanych tworzyw sztucznych, któ-re można ponownie wykorzystać.

- Oddać te materiały do ponownego wykorzystania.



KARTA GWARANCYJNA



2 lata ograniczonej gwarancji

Proszę wypełnić niniejszy formularz i przesać go faxem lub e-mailem na numery podane poniżej. Jeśli produkt okaże się wadliwy, proszę go zwrócić do sprzedawcy, wraz z dowodem zakupu.

- Proszę dołączyć skan/kopię dowodu sprzedaży.
- Proszę załączyć zdjęcia/obrazy oraz opis wadliwego lub zniszczonego produktu

Państwa nazwisko:

Adres:

Adres e-mail:

Kod pocztowy:

Numer modelu:

Numer serii

Batch:

umieszczony na tabliczce znamionowej znajdującej się z tyłu urządzenia

Data zakupu:

Rok:

OutTrade B.V.
Meeleweg 76
7711 EP Nieuwleusen
The Netherlands

Tel: +31-529—48 28 08
Fax: +31-529—48 49 10

info@outtrade.eu
www.outtrade.eu

Opíšte laskavo chybu:



SI Infra peč za uporabo na tera-sah

Prevod izvirnih navodil

Spoštovana stranka,
veseli smo vašega zaupanja!

Pred prvo uporabo obvezno preberite ta navodila za uporabo! Tukaj boste našli vse napotke za varno uporabo in dolgo življenjsko dobo naprave. Obvezno upoštevajte vse varnostne napotke v teh navodilih!

Glede ravnanja s temi navodili za uporabo

Vse potrebne slike najdete na prvih straneh teh navodil za uporabo. Znotraj opisov boste s pomočjo napotil vodeni do ustreznih slik.

Pred začetkom...

Pravilna uporaba

Naprava ustreza stanju znanosti in tehnike ter veljavnim varnostnim določilom v času, ko je dana na trg v okviru uporabe, skladno z določili.

Naprava je namenjena kot grelna naprava za nadstrešno zunanje območje.

Naprava ni primerna za obrtne ali industrijske namene.

Kakršnakoli druga uporaba je nenamenska. Zaradi nenamenske uporabe, sprememb na napravi ali uporabe delov, ki jih proizvajalec ni testiral in odobril, lahko pride do nepredvidljivih poškodb!

Vsaka nepravilna uporaba ali vse dejavnosti na napravi, ki niso opisane v tem priročniku za uporabo, so nedovoljene in zanje ne velja garancija proizvajalca.



**OPOZORILO!**

Otroci, mlajši od 3 let, ne smejo biti brez nadzora v bližini naprave.

OPOZORILO!

Otroci med 3. in 8. letom starosti lahko prižgejo/ izklopijo napravo, če je bila nameščena v predvidenem končnem položaju in če so otroci pod nadzorom odgovorne osebe ali so bili usposobljeni za varno uporabo naprave ter poznajo in razumejo vsa tveganja, povezana z uporabo naprave. Otroci, stari od 3 do 8 let, ne smejo priključevati naprave, izvajati nastavitve ali čistiti naprave in ne smejo izvajati vzdrževanja, predvidenega za uporabnika.

OPOZORILO!

NI DOVOLJENO nameščanje naprave v bližini vnetljivih materialov, kot so zavese.
Napravo namestite stran od drugih vnetljivih naprav.

OPOZORILO!

Ni dovoljeno pokrivanje naprave, da se izognemo pregrevanju le te.

OPOZORILO!

Ni dovoljeno polaganje na napravo vnetljivih materialov ali izdelkov!

OPOZORILO!

Nekateri deli naprave se lahko zelo segrejejo in lahko povzročijo opekline. Posebno pozornost je treba nameniti otrokom in drugim ogroženim osebam v bližini.

POZOR!

Če je napajalni kabel pokvarjen ali poškodovan, ga mora zamenjati pooblaščen oseba.

NE poskušajte sami skrajšati ali popraviti napajalnega kabla. Rezanje napajalnega kabla bo razveljavilo garancijo.

POZOR! – SPLOŠNE INFORMACIJE

Po končani namestitvi naprave se prepričajte, da so vse drenažne luknje čiste in brez onesnaženja (če je naprava opremljena s takšnimi komponentami).

POZOR!

Za podaljšanje trajnosti izdelka je priporočljivo uporabiti pokrov.

Pokrov je neobvezna dodatna oprema in je na voljo neodvisno od naprave.





Za vašo varnost

Splošni varnostni napotki

- Za varno ravnanje s to napravo mora uporabnik naprave navodila prebrati in jih razumeti pred prvo uporabo.
- Upoštevajte vsa varnostna navodila! Če ne upoštevate varnostnih navodil, ogrožate sebe in ljudi okoli sebe.
- Vse priročnike za uporabo in varnostna navodila shranite za prihodnjo uporabo.
- Napravo lahko uporabljate le, ko je v brezhibnem stanju. Če je naprava ali njen del pokvarjen, jo je treba izključiti in pravilno odstraniti.
- Naprave ne uporabljajte v prostorih, kjer se lahko sproži eksplozija, ali v bližini gorljivih tekočin ali plinov!
- Izklopljeno napravo vedno zavarujte pred nenamernim vklopom.
- Ne uporabljajte naprav, pri katerih stikalo za vklop/izklop ne deluje pravilno.
- Otrokom ne pustite blizu naprave! Napravo shranite varno pred otroci in nepooblaščenimi osebami.
- Naprave ne preobremenjujte. Napravo uporabljajte samo v namen, za katerega je predvi-dena.
- Vedno delajte preudarno in v dobrem stanju: Utrujenost, bolezen, uživanje alkohola, zdravil in drog je neodgovorno, kajti v tem primeru naprave ne morete več varno uporabljati.
- Ta naprava ni predvidena za uporabo s strani oseb (vključno z otroci) z omejenimi fizičnimi, senzornimi ali duševnimi sposobnostmi ali s pomanjkanjem izkušenj in/ali znanja, razen, če jih nadzira oseba, odgovorna za njihovo varnost, ali so prejele navodila, kako napravo upora-bljati.
- Zagotovite, da otroci se z napravo ne igrajo.
- Vedno upoštevajte veljavne državne in mednarodne varnostne, zdravstvene in delovne pred-pise.

Električna varnost

- Napravo lahko priključite le na vtičnico, ki ima pravilno nameščen varnostni stik.
- Zavarovanje mora biti izvedeno z varnostnim stikalom okvarnega toka (FI stikalo) z izmerje-nim okvarnim tokom ne več kot 30 mA.
- Pred priključitvijo naprave morate zagotoviti, da je omrežni priključek v skladu s priključnimi podatki naprave.
- Napravo lahko uporabljate le znotraj navedenih mej napetosti, moči in nominalnega števila obratov (glejte tipsko ploščico).
- Omrežne vtičnice se ne dotikajte z mokrimi rokami! Omrežni vtič vedno izvlecite tako, da povlečete vtič, ne kabel.
- Omrežnega kabla ne prepogibajte, ukleščite, vlecite ali povozite; zavarujte pred ostrimi robovi, oljem in vročino.
- Naprave nikoli ne dvigujte s kablom in kabla nikoli ne uporabljajte v druge namene.
- Pred vsako uporabo preverite vtič in kabel.
- Pri poškodbi omrežnega kabla, nemudoma izvlecite omrežni vtič. Naprave nikoli ne upora-bljajte s poškodovanim omrežnim kablom.
- Kadar naprava ni v uporabi, mora biti omrežni vtič vedno izvlečen.
- Pred vključitvijo omrežnega vtiča vedno zagotovite, da je naprava izključena.
- Preden izvlečete omrežni vtič, napravo zmeraj ugasnite.
- Naprava naj bo med prevozom brez toka.

Varnostna opozorila specifična za napravo

- Naprave ni dovoljeno uporabljati v notranjih prostorih.
- Naprava ne sme delovati v bližini bazenov, vrtnih ribnikov itd.
- Naprave med delovanjem ne smete premikati.
- Naprave med delovanjem ne smete nagniti.
- Predmetov ne smete nikoli voditi skozi prezračevalne rešetke v napravo. Smrtna nevarnost!
- Razdalja med prezračevalnimi rešetkami in vnetljivimi predmeti mora znašati vsaj 75 cm.
- Naprave ne smete pokriti. Obstaja nevarnost požara.
- Napravo morate postaviti na ravno vodoravno podlago in okoli nje mora biti prosto. Vedno morate upoštevati varnostno



razdaljo.

- Naprave nikoli ne izpostavljajte vodi ali drugim tekočinam.
- Grelne naprave ne uporabljajte s časovnim stikalom ali drugim stikalom, ker se naprava samodejno izklopi, če se pojavi nevarnost požara.
- Grelne naprave ne smete postaviti neposredno pod stensko vtičnico.
- Simbolov, ki se nahajajo na vaši napravi, ne smete odstraniti ali prekriti. Opozorila na napravi, ki jih ni več mogoče prebrati, morate nemudoma zamenjati.

Čiščenje

- Izklopite napravo in pustite, da se povsem ohladi.
- Izvlecite električni vtič.
- Napravo obrišite z rahlo navlaženo krpo.
- Za čiščenje grelnih palic in reflektorjev uporabite čopič z dolgimi, mehкими ščetinami.

Odlaganje med odpadke



Odlaganje naprave med odpadke

Naprave, ki so označene s tem simbolom, ne smete odvreči med gospodinjske odpadke.

Takšne zastarele električne in elektronske naprave odvrzite ločeno.

Z ločenim odlaganjem odpadkov se lahko zastarele naprave reciklirajo ali drugače pre-delajo. Med drugim boste preprečili odlaganje obremenilnih snovi v okolju.

Odlaganje embalaže med odpadke

Embalaža vsebuje karton in ustrezno označene umetne mase, ki se lahko reciklirajo.

- Te materiale namenite za reciklažo.



GARANCIJSKI LIST



2 leti omejene garancije

Izpolnite ta obrazec in ga pošljite po faksu ali e-pošti na spodnje številke. Če se izkaže, da je izdelek okvarjen, ga vrnite prodajalcu skupaj z dokazilom o nakupu.

- Priložite scan/ kopijo dokazila o prodaji.
- Priložite fotografije / slike in opis okvarjenega ali poškodovanega izdelka.

Vaš priimek:

Naslov:

Adres e-mail:

E-poštni naslov:

Številka modela:

Serijska številka

Batch:

ki se nahaja na tipski ploščici na zadnji strani naprave

Datum nakupa:

Leto:

OutTrade B.V.
Meeleweg 76
7711 EP Nieuwleusen
The Netherlands

Tel: +31-529—48 28 08
Fax: +31-529—48 49 10

info@outtrade.eu
www.outtrade.eu

Opišite napako:



HU Teraszhősugárzó

Eredeti használati utasítás fordítása

Tisztelt Vásárló!

Köszönjük megtisztelő bizalmát!

Az első üzembe helyezés előtt feltétlenül olvassa el ezt a használati utasítást! Ebben a készülék biztonságos használatára és hosszú élettartamára vonatkozó összes tudnivalót megtalálhatja. Feltétlenül tartsa be az útmutató minden biztonsági utasítását!

A használati útmutató kezelésére vonatkozó tudnivalók

Minden szükséges ábrát a használati útmutató első oldalain talál meg. A leírások belsejében lévő utalások elvezetik a felhasználót a megfelelő ábrához.

Mielőtt hozzákezdene...

Rendeltetésszerű használat

A készülék, a forgalomba hozatal időpontjában, megfelel a tudomány és technika aktuális állá-sának, valamint a hatályos biztonsági előírásoknak, rendeltetésszerű használata keretén belül.

A készülék rendeltetése: fűtőkészülék, tető által védett külső terekhez.

A készülék nem ipari felhasználásra szolgál.

Minden más alkalmazás ellentmond az előírtnak. A nem előírt alkalmazás, a készülék meg-változtatása, vagy a gyártó által nem ellenőrzött és jóváhagyott alkatrészek használata előrelát-hatatlan károsodásokhoz vezethet.

Minden rendeltetési céltól eltérő használat ill. a használati utasításban fel nem sorolt tevékeny-ség nem megengedettnek számít, és kívül esik a gyártó törvényes szavatossági körén.





FIGYELEM!

Folyamatos felügyelet nélküli, 3 évesnél fiatalabb gyermekektől távol tartandó!

FIGYELEM!

3 évesnél fiatalabbak egyáltalán nem, 8 évesnél fiatalabb gyermekek pedig, csak akkor kapcsolhatják be / ki a készüléket, ha az rendeltetésszerűen lett beüzemelve, és felügyeletet, vagy megfelelő oktatást kaptak a készülék biztonságos használatára, ill. megértették az azzal járó veszélyeket. Sem 3, sem 8 évesnél fiatalabb gyermekek nem csatlakoztathatják a készüléket áramforráshoz, ill. nem szabályozhatják, tisztíthatják a készüléket, valamint nem végezhetnek rajta karbantartást.

FIGYELEM!

NE szereljen a készülékeket éghető anyagok, például függönyök közelében!
Gyúlékony anyagoktól távol tartandó!

FIGYELEM!

A túlmelegedés elkerülése érdekében: Ne takarja le a készüléket!

FIGYELEM!

Soha ne helyezzen semmilyen éghető anyagot vagy terméket erre a termékre!

VIGYÁZAT!

A termék egyes részei nagyon felforrósodhatnak és égési sérüléseket okozhatnak. Különös figyelmet kell fordítani arra, hogy gyermekek és felügyeletet igénylő emberek tartózkodnak-e a termék vonzáskörzetében.

FIGYELEM!

Ha a tápkábel hibás vagy sérült,
a tápkábelt, az erre jogosultsággal rendelkező javítóműhelyben kell kicseréltetni.

Sajátkezűleg NE próbálja meg elvágni vagy megjavítani a tápkábelt!
A tápkábel elvágása esetén a garancia érvényét veszti.

FIGYELEM! - ÁLTALÁNOS INFORMÁCIÓ

A felszerelés után ellenőrizze, hogy a szilőző nyílások (ha vannak ilyenek) szabadon átjárhatóak-e.

FIGYELEM!

A termék élettartamának meghosszabbítása érdekében javasolt borítás használata.
A borítás opcionális és külön kapható.





Biztonsága érdekében

Általános biztonsági előírások

- A készülék csak akkor kezelhető biztonságosan, ha az első használat előtt a kezelő elolvasta és megértette ezt a használati utasítást.
- Tartsa be az összes biztonsági előírást! A biztonsági előírások figyelmen kívül hagyásával önmagát és másokat is veszélyeztet.
- Minden használati utasítást és biztonsági előírást őrizzen meg a későbbi felhasználásra.
- Ha a készüléket eladja vagy odaadja, feltétlenül adja vele ezt a használati utasítást is.
- A készüléket csak akkor szabad használni, ha az kifogástalan állapotban van. Ha a készülék vagy egy része hibás, akkor azt üzemben kívül kell helyezni és hulladékként szakszerűen kell eltávolítani.
- A készüléket ne alkalmazza robbanásveszélyes helyeken vagy gyúlékony folyadékok vagy gázok közelében!
- A kikapcsolt készüléket mindig biztosítsa véletlen bekapcsolás ellen.
- Ne használjon olyan készüléket, amelyen a ki-be kapcsológomb nem működik megfelelően.
- Tartsa távol a gyermekeket a géptől! Tartsa távol a készüléket a gyermekektől és az illeték-telen személyektől.
- Ne terhelje túl a készüléket. Csak a rendeltetési céljának megfelelően használja a gépet.
- Mindig megfontoltan, jó testi/lelki állapotban dolgozzon: Felelőtlenség megengedni, hogy fáradtság, betegség, alkohol fogyasztása, gyógyszerek és kábítószer befolyásolja Önt, mivel Ön ilyen esetben már nem tudja biztonságosan használni a készüléket.
- Ez a készülék nem alkalmas arra, hogy korlátozott fizikai, érzékszervi vagy szellemi képes-ségekkel, vagy hiányos tapasztalattal és/vagy tudással rendelkező személyek (gyerekeket is beleértve) használják, kivéve, ha a biztonságukért felelősséget vállaló személy felügyeli őket, vagy ha tőle útmutatásokat kapnak a készülék használatával kapcsolatban.
- Biztosítsa, hogy gyermekek ne játszhassanak a készülékkel.
- Az érvényes nemzeti és nemzetközi biztonsági, egészségügyi és munkavédelmi előírásokat mindig tartsa be.

Elektromos biztonság

- A készülékeket kizárólag megfelelően felszerelt védőérintkezős dugaszoló aljzatra csatlakoz-tassa.
- Védelemként iktasson az áramkörbe egy olyan maradékáram-működtetésű megszakítót (FI relét), melynek névleges áramerőssége nem haladja meg a 30 mA-t.
- A készülék csatlakoztatása előtt bizonyosodjon meg, hogy a hálózata megfelel a készülék csatlakozási adatainak.
- A készülékeket kizárólag az előírt feszültség-, teljesítmény- és névleges fordulatszám határ-értékeken belül üzemeltetheti (lásd a típus táblát).
- A hálózati csatlakozót ne fogja meg nedves kézzel, kihúzásakor pedig mindig a dugót fogja meg, ne a kábelt.
- A hálózati kábelt ne gyűrje, ne csavarja, húzza meg vagy ne lépjen rá, óvja az éles sarkaktól, olajtól és hőségtől.
- A készüléket ne emelje meg a kábelnél fogva és a kábelt egyéb rendeltetéstől eltérő célra se használja.
- Minden használat előtt ellenőrizze a csatlakozó dugót és a kábelt.
- Ha megsérül a hálózati kábel, azonnal húzza ki a csatlakozó dugaszt. A készüléket soha ne használja sérült hálózati kábellel.
- Amikor használaton kívül van, húzza ki a csatlakozó dugaszt.
- A csatlakozó dugasz csatlakoztatása előtt ellenőrizze, hogy a készülék ki van kapcsolva.
- A dugasz kihúzása előtt mindig kapcsolja ki a készüléket.
- Szállítás előtt áramtalanítsa a berendezést.

A készülékre jellemző biztonsági utasítások

- A készüléket tilos belső térben működtetni.
- A készüléket tilos úszómedencék, kerti tavak, stb. közelében működtetni.
- A készüléket üzem közben tilos elmozdítani.
- A készüléket üzem közben tilos megdönteni.



- Soha ne dugjon be semmilyen tárgyat a készülék szellőzőrostélyába. Életveszély!
- A szellőzőrostély és az éghető tárgyak közötti távolság legalább 75 cm kell hogy legyen.
- A készüléket tilos lefedni. Tűzveszélyes!
- A készüléknek sík, vízszintes körfelületen kell állnia. A biztonsági távolságokat mindig be kell tartani.
- A készüléket soha nem szabad víznek vagy egyéb folyadéknak kitenni.
- Ne használja a készüléket időkapcsolóval, vagy olyan kapcsolóval, mely azt automatikusan bekapcsolja, mert ebben az esetben tűzveszély áll fenn.
- A fűtőkészüléket tilos fali csatlakozóaljzat alatt felállítani.
- A készüléken létező jeleket nem szabad levenni vagy letakarni. A már nem olvasható utasításokat a szerszámon rögtön le kell cserélni.

Tisztítás

- A készüléket kapcsolja ki és hagyja teljesen lehűlni.
- Húzza ki a hálózati dugaszt.
- A készüléket törölje meg egy kissé nedves törülkövel.
- A fűtőszálak és a reflektor tisztításához használjon hosszú, puha sörtéjű ecsetet.



Selejtezés

A készülék selejtezése

Az itt feltüntetett jellel megjelölt készülékeket nem szabad a háztartási szemétkébe dobni. Az ilyen használt elektromos és elektronikus készülékeket külön kell hulladékba helyezni. Az elkülönített kezelés ezeket a berendezéseket eljuttatja az újrahasznosító helyekre. Ezzel segít megelőzni, hogy a környezetünkbe veszélyes anyagok kerüljenek.

A csomagolás selejtezése

A csomagolás anyaga karton és megfelelően jelölt műanyag, ami újra hasznosítható.

- Ezeket juttassa el az újrahasznosításba.



JÓTÁLLÁSI KÁRTYA



2 év korlátozott garancia

Kérjük, töltsse ki az űrlapot, és küldje el faxon vagy e-mailben az alább megadott számokra. Ha a termék hibásnak bizonyul, kérjük, küldje vissza az eladónak a vásárlás igazolásával együtt.

- Kérjük, csatolja az értékesítési bizonylat beolvasását / másolatát.
- Kérjük, csatoljon fényképeket / képeket és a hibás vagy sérült termék leírását.

A vezetékneve:

cím:

E-mail cím:

Irányítószám:

Modell száma

A tétel száma

Batch:

a készülék hátulján található
adattáblán található

Vásárlás dátuma:

év:

OutTrade B.V.
Meeleweg 76
7711 EP Nieuwleusen
The Netherlands

Tel: +31-529—48 28 08
Fax: +31-529—48 49 10

info@outtrade.eu
www.outtrade.eu

Kérjük, írja le a hibát:



HR Električna grijalica za terasu

Prijevod originalne upute za rad

Poštovani kupci,

radujemo se Vašem povjerenju!

Prije prve upotrebe pročitajte ovu uputu za upotrebu! Ovdje će te naći sve upute za sigurnu upotrebu i dugi vijek trajanja uređaja. Molimo Vas da obavezno slijedite sve sigurnosne upute iz ove upute!

O rukovanju sa ovom uputom za uporabu

Sve potrebne ilustracije ćete naći u ovoj uputi za upotrebu na prvoj strani. Unutar opisa će Vas se kroz uputnice voditi do odgovarajućih ilustracija.

Prije nego što započnete...

Svrishodna uporaba

Uređaj odgovara stanju nauke i tehnike kao i sigurnosnim odredbama u vrijeme stavljanja u prodaju, u okviru njegove uporabe u skladu s odredbama.

Uređaj je namijenjen za uporabu kao grijalica za natkriveno vanjsko područje.

Uređaj nije namijenjen profesionalnoj uporabi.

Svaka druga primjena nije dozvoljena. Korištenjem u nedozvoljene svrhe, kroz promjene na uređaju ili kroz uporabu dijelova, koji nisu kontrolirani i dozvoljeni od proizvođača, mogu nastati nepredvidiva oštećenja!

Svaka uporaba koja nije u skladu s odredbama odnosno svi radovi na uređaju koji nisu opisani u ovim uputama za uporabu spadaju u nedozvoljenu uporabu izvan zakonskih granica odgovornosti proizvođača.





UPOZORENJE!

Djeca ispod 3. godine života ne smiju se ostavljati u blizini uređaja bez nadzora.

UPOZORENJE!

Djeca od 3. do 8. godine starosti mogu uključivati/isključivati uređaj ukoliko je isti postavljen ili instaliran u svom konačnom predviđenom položaju i ako su djeca pod nadzorom odgovornog odraslog lica ili ako su obučena za sigurnu upotrebu uređaja i ako su upoznata i shvaćaju sve rizike vezane uz korištenje uređaja. Djeca u starosnoj dobi između 3. i 8. godina ne smiju uključivati uređaj u struju, podešavati ga, čistiti, niti provoditi radnje na održavanju koje se traže od korisnika uređaja.

UPOZORENJE!

ZABRANJENO JE instaliranje uređaja u blizini lakozapaljivih materijala, kao što su npr. zavjese.

Uređaj treba instalirati podalje od drugih lakozapaljivih uređaja.

UPOZORENJE!

Radi sprečavanja pregrijavanja: Uređaj se ne smije pokrivati!

UPOZORENJE!

Na uređaj se nikada ne smiju stavljati zapaljivi materijali ili proizvodi!

UPOZORENJE!

Neki od elemenata uređaja mogu se zagrijavati do vrlo visoke temperature, te mogu izazvati opekotine. Posebno treba pripaziti na djecu i druga lica koja su u blizini.

PAŽNJA!

Ukoliko je napojni kabl neispravan ili oštećen, isti treba zamijeniti, a zamjenu može napraviti samo za to ovlašteno lice.

ZABRANJENO JE pokušati samostalno skratiti ili popraviti napojni kabl. Rezanje odnosno skraćivanje napojnog kabla prouzrokuje gubitak garancije na proizvod.

PAŽNJA! – OPŠTE INFORMACIJE

Nakon završene instalacije uređaja treba provjeriti da li su svi izlazni otvori prohodni i slobodni od bilo kojih nečistoća (ukoliko je uređaj opremljen takvim komponentama).

PAŽNJA!

Za produženje vijeka trajanja Vašeg proizvoda preporučuje se koristiti poklopac.

Poklopac je opcionalna oprema koja je dostupna nezavisno od uređaja.





Za Vašu sigurnost

Opće sigurnosne upute

- Za sigurno rukovanje uređajem korisnik mora pročitati i razumjeti ove upute za uporabu prije prvog korištenja uređaja.
- Obratite pažnju na sve sigurnosne upute! Ako ne poštujete sigurnosne upute, sebe i druge osobe dovodite u opasnost.
- Sačuvajte sve upute za uporabu i sigurnosne upute radi buduće uporabe.
- Ako prodate ili poklonite uređaj, obvezno dajte i upute za uporabu.
- Uređaj se smije koristiti samo onda, ako je u ispravnom stanju. Ako je uređaj ili neki njegov dio neispravan, trebate ga staviti van pogona i stručno ga zbrinuti.
- Uređaj nemojte koristiti u prostorijama u kojima postoji opasnost od eksplozije ili u blizini gorućih tekućina ili plinova!
- Isključeni uređaj uvijek osigurajte protiv slučajnog uključivanja.
- Nemojte koristiti uređaje, na kojima sklopka za uključivanje – isključivanje ne funkcionira ispravno.
- Udaljite djecu od uređaja! Uređaj odložite tako da bude siguran od djece i neovlaštenih osoba.
- Ne preopterećujte uređaj. Uređaj upotrebljavajte samo za svrhe za koje je i namijenjen.
- Uvijek raditi sa oprezom i u dobrom raspoloženju: Umor, bolest, konzum alkohola, utjecaj lijekova i droga su neodgovorni, pošto više niste u stanju uređaj sigurno koristiti.
- Uređaj nije namijenjen za to da ga koriste osobe (uključujući djeca) s ograničenim tjelesnim, senzoričkim ili duševnim sposobnostima ili nedovoljnim iskustvom i/ili znanjem, osim ako ih nadzire osoba zadužena za njihovu sigurnost ili su od nje dobile upute kako se koristi uređaj.
- Provjerite, da se djeca ne igraju s uređajem.
- Uvijek slijediti važeće nacionalne i internacionalne sigurnosne propise, propise o sigurnosti i radu.

Električna sigurnost

- Uređaj se smije priključiti samo na utičnicu sa uredno instaliranim zaštitnim kontaktom.
- Ista se mora osigurati sa zaštitnom sklopkom od struje kvara (FI sklopka) sa strujom kvara dimenzioniranja od ne više od 30 mA.
- Prije priključivanja uređaja se mora osigurati, da mrežni priključak odgovara priključnim podacima uređaja.
- Uređaj se smije koristiti samo unutar navedenih granica za napon, učinak i nazivni broj okre-taja (vidi pločicu s podacima).
- Mrežni utikač ne dodirivati sa mokrim rukama! Mrežni utikač uvijek iskopčati na utičnici, ne povlačiti za kabel.
- Mrežni kabel ne savijati, gnječiti, povlačiti ili preko njega prelaziti; zaštititi od oštih rubova, ulja i vrućine.
- Uređaj ne dizati uza kabel ili kabel koristiti u druge svrhe, u koje nije namijenjen.
- Prije svake uporabe provjerite utikač i kabel.
- Kod oštećenja mrežnog kabela odmah iskopčati mrežni utikač. Uređaj nikada ne koristiti sa oštećenim mrežnim kablom.
- Kod nekorištenja se mora uvijek iskopčati mrežni utikač.
- Prije ukapčanja mrežne utičnice osigurati, da je uređaj isključen.
- Prije iskapčana mrežne utičnice uvijek isključiti uređaj.
- Uređaj prilikom transporta iskopčati iz struje.

Sigurnosne upute specifične za uređaj

- Uređaj se ne smije koristiti u unutrašnjim prostorijama.
- Uređaj se ne smije koristiti u blizini bazena, vrtnih jezera itd.
- Uređaj za vrijeme pogona nemojte pomicati.
- Uređaj za vrijeme pogona nemojte naginjati.
- Nikada ne gurajte predmete u uređaj kroz ventilacijsku rešetku. Životna opasnost!
- Razmak između ventilacijskih rešetki i zapaljivih predmeta mora iznositi najmanje 75 cm.
- Uređaj se ne smije prekrivati. Postoji opasnost od požara.
- Uređaj se mora postaviti na vodoravnu podlogu tako da bude slobodan sa svih strana. Uvijek je potrebno poštivati sigurno-



sne razmake.

- Uređaj se ne smije izlagati vodi ili drugim tekućinama.
- Grijalicu nikada nemojte koristiti sa vremenskom sklopkom ili nekom drugom sklopkom, koja uređaj automatski uključuje, pošto inače postoji opasnost od požara.
- Grijalica se ne smije postavljati neposredno ispod zidne utičnice.
- Simboli koji se nalaze na uređaju ne smiju se uklanjati. Upute na uređaju koje više nisu čitljive potrebno je odmah zamijeniti.

Čišćenje

- Isključite uređaj i pustite ga da se potpuno ohladi.
- Iskopčajte mrežni utikač.

– Obrišite uređaj lagano navlaženom krpom.

– Za čišćenje grijaćih šipki i reflektora koristite kist s dugim mekanim vlaknima.



Odlaganje na otpad

Odlaganje uređaja na otpad

Uređaji koji su označeni ovim simbolom se ne smiju odlagati na kućni otpad. Obavezni ste ovakve električne i elektronske stare uređaje odvojeno odlagati. Odvojenim odlaganjem stari uređaji odlaze na recikliranje ili u neki drugi vid ponovnog korištenja. Ovako pomažete da se izbjegne, da pod određenim okolnostima, štetne materije dospiju u okoliš.

Odlaganje pakiranja na otpad

Pakiranje se sastoji od kartona i odgovarajuće označenih umjetnih materijala koji se mogu reciklirati.



JAMSTVENI LIST



2 godine ograničenog jamstva

Popunite ovaj obrazac i pošaljite ga faksom na ispod navedene brojeve ili mailom. Ukoliko je proizvod neispravan, molimo, vratite ga trgovcu, zajedno s dokazom kupnje.

- Molimo priložite fotokopiju/skeniranu potvrdu o kupnji.
- Molimo priložite slike/snimke i opis neispravnog ili oštećenog proizvoda.

Vaše prezime:

Adresa:

Adresa e-pošte:

Poštanski broj:

Broj modela:

Broj serije

Batch:

koji se nalazi na nazivnoj
pločici pozadi uređaja

Datum kupnje:

Godina:

OutTrade B.V.
Meeleweg 76
7711 EP Nieuwleusen
The Netherlands

Tel: +31-529—48 28 08
Fax: +31-529—48 49 10

info@outtrade.eu
www.outtrade.eu

Molimo opisati kvar:



BA Električna grijalica za terasu

Prijevod originalne upute za rad

Poštovani klijentu,

raduje nas vaše povjerenje!

Svakako pročitajte uputstvo za upotrebu prije prvog puštanja u pogon! Ovdje ćete naći sva uputstva za jednu sigurnu upotrebu in dug život vašeg aparata. Svakako pazite na sva sigurnosne upute u ovom uputstvu!

Za rukovanje ovom uputom za upotrebu

Sve potrebne ilustracije ćete naći u ovoj uputi za upotrebu na prvoj strani. Unutar opisa će Vas se kroz uputnice voditi do odgovarajućih ilustracija.

Prije nego što počnete...

Namjenska upotreba

Uređaj odgovara stanju nauke i tehnike kao i sigurnosnim odredbama u vrijeme stavljanja u pro-daju, u okviru njegove upotrebe u skladu sa odredbama. Uređaj je namijenjen za korištenje kao grijalica za natkriveno vanjsko područje.

Uređaj nije namijenjen profesionalnoj upotrebi.

Svaka druga upotreba je nepropisna. Nepropisnom upotrebom, promjenama na uređaju ili upotrebom dijelova koji nisu provjereni ili dozvoljeni od strane proizvođača, mogu nastati nepredviđene štete!

Svaka upotreba koja nije u skladu sa odredbama odnosno svi radovi na uređaju koji nisu opisani u ovom uputstvu za upotrebu spadaju u nedozvoljenu upotrebu izvan zakonskih granica odgovornosti proizvođača.





UPOZORENJE!

Djeca ispod 3. godine života ne smiju se ostavljati u blizini uređaja bez nadzora.

UPOZORENJE!

Djeca od 3. do 8. godine starosti mogu uključivati/isključivati uređaj ukoliko je isti postavljen ili instaliran u svom konačnom predviđenom položaju i ako su djeca pod nadzorom odgovornog odraslog lica ili ako su obučena za sigurnu upotrebu uređaja i ako su upoznata i shvaćaju sve rizike vezane uz korištenje uređaja. Djeca u starosnoj dobi između 3. i 8. godina ne smiju uključivati uređaj u struju, podešavati ga, čistiti, niti provoditi radnje na održavanju koje se traže od korisnika uređaja.

UPOZORENJE!

ZABRANJENO JE instaliranje uređaja u blizini lakozapaljivih materijala, kao što su npr. zavjese.

Uređaj treba instalirati podalje od drugih lakozapaljivih uređaja.

UPOZORENJE!

Radi sprečavanja pregrijavanja: Uređaj se ne smije pokrivati!

UPOZORENJE!

Na uređaj se nikada ne smiju stavljati zapaljivi materijali ili proizvodi!

UPOZORENJE!

Neki od elemenata uređaja mogu se zagrijavati do vrlo visoke temperature, te mogu izazvati opekotine. Posebno treba pripaziti na djecu i druga lica koja su u blizini.

PAŽNJA!

Ukoliko je napojni kabl neispravan ili oštećen, isti treba zamijeniti, a zamjenu može napraviti samo za to ovlašteno lice.

ZABRANJENO JE pokušati samostalno skratiti ili popraviti napojni kabl. Rezanje odnosno skraćivanje napojnog kabla prouzrokuje gubitak garancije na proizvod.

PAŽNJA! – OPŠTE INFORMACIJE

Nakon završene instalacije uređaja treba provjeriti da li su svi izlazni otvori prohodni i slobodni od bilo kojih nečistoća (ukoliko je uređaj opremljen takvim komponentama).

PAŽNJA!

Za produženje vijeka trajanja Vašeg proizvoda preporučuje se koristiti poklopac.

Poklopac je opcionalna oprema koja je dostupna nezavisno od uređaja.





Za Vašu sigurnost

Opšta sigurnosna uputstva

- Za sigurno rukovanje uređajem korisnik mora pročitati i razumjeti ovo uputstvo za upotrebu prije prvog korištenja uređaja.
- Obratite pažnju na sva sigurnosna uputstva! Ako ne poštujete sigurnosna uputstva, sebe i druga lica dovodite u opasnost.
- Sačuvajte sva uputstva za upotrebu i sigurnosna uputstva radi buduće upotrebe.
- Ako prodate ili poklonite uređaj, obavezno dajte i uputstvo za upotrebu.
- Uređaj se smije koristiti samo onda, ako je u ispravnom stanju. Ako je uređaj ili neki njegov dio oštećen, mora se staviti van pogona i propisno odložiti.
- Uređaj ne upotrebljavajte u prostorijama u kojima može doći do eksplozije ili u blizini zapaljivih tečnosti ili gasova!
- Isključen uređaj uvijek osigurajte protiv slučajnog uključivanja.
- Nemojte koristiti uređaje, na kojima prekidač za uključivanje – isključivanje ne funkcioniše ispravno.
- Udaljite djecu od uređaja! Uređaj odložite tako da bude siguran od djece i neovlaštenih lica.
- Ne preopterećujte uređaj. Uređaj upotrebljavajte samo za svrhe za koje je i namijenjen.
- Uvijek raditi sa oprezom i u dobrom raspoloženju: Umor, bolest, konzum alkohola, utjecaj lijekova i droga su neodgovorni, pošto više niste u stanju uređaj sigurno koristiti.
- Ovaj uređaj nije namijenjen za upotrebu od strane osoba (uključujući djecu) s ograničenim fizičkim, senzoričkim ili duševnim sposobnostima ili nedostatkom iskustva i/ili znanja, njih mora nadgledati osoba koja je nadležna za njihovu sigurnost ili im mora dati instrukcije o tome kako se koristi uređaj.
- Proverite, da se djeca ne igraju s uređajem.
- Uvijek slijediti važeće nacionalne i internacionalne sigurnosne propise, propise o sigurnosti i radu.

Električna sigurnost

- Uređaj se smije priključiti samo na utičnicu sa uredno instaliranim zaštitnim kontaktom.
- Ista se mora osigurati sa zaštitnim prekidačem od struje kvara (FI sklopka) sa strujom kvara dimenzioniranja od ne više od 30 mA.
- Prije priključivanja uređaja se mora osigurati, da mrežni priključak odgovara priključnim podacima uređaja.
- Uređaj se smije koristiti samo unutar navedenih granica za napon, učinak i nazivni broj okretaja (vidi pločicu s podacima).
- Mrežni utikač nikada ne dodirivati sa mokrim rukama! Mrežni utikač uvijek povući za utikač a ne za kabal.
- Mrežni kabel ne savijati, gnječiti, povlačiti ili preko njega prelaziti; zaštititi od oštih rubova, ulja i vrućine.
- Uređaj ne dizati uza kabel ili kabel koristiti u druge svrhe, u koje nije namijenjen.
- Prije svake upotrebe provjerite utikač i kabel.
- Kod oštećenja mrežnog kabela odmah iskopčati mrežni utikač. Uređaj nikada ne koristiti sa oštećenim mrežnim kablom.
- Kod nekorištenja se mora uvijek iskopčati mrežni utikač.
- Prije prikopčavanja mrežne utičnice osigurati, da je uređaj isključen.
- Prije iskopčavanja mrežne utičnice uvijek isključiti uređaj.
- Uređaj prilikom transporta iskopčati iz struje.

Sigurnosne upute specifične za uređaj

- Uređaj se ne smije koristiti u unutrašnjim prostorijama.
- Uređaj se ne smije koristiti u blizini bazena, vrtnih jezera itd.
- Uređaj za vrijeme pogona nemojte pomicati.
- Uređaj za vrijeme pogona nemojte naginjati.
- Nikada ne gurajte predmete u uređaj kroz ventilacijsku rešetku. Životna opasnost!
- Razmak između ventilacijskih rešetki i zapaljivih predmeta mora iznositi najmanje 75 cm.
- Uređaj se ne smije prekrivati. Postoji opasnost od požara.
- Uređaj se mora postaviti na vodoravnu podlogu tako da bude slobodan sa svih strana. Uvijek je potrebno poštivati sigurno-



sne razmake.

- Uređaj se ne smije izlagati vodi ili drugim tekućinama.
- Grijalicu nikada nemojte koristiti sa vremenskim prekidačem ili nekim drugim prekidačem, koji uređaj automatski uključuje, pošto inače postoji opasnost od požara.
- Grijalica se ne smije postavljati neposredno ispod zidne utičnice.
- Simboli koji se nalaze na uređaju ne smiju se uklanjati. Upute na uređaju koje više nisu čitljive potrebno je odmah zamijeniti.

Čišćenje

- Isključite uređaj i pustite ga da se potpuno ohladi.
- Iskopčajte mrežni utikač.
- Obrišite uređaj lagano navlaženom krpom.
 - Za čišćenje grijaćih šipki i reflektora koristite kist sa dugim mekanim vlaknima.



Odlaganje na otpad

Odlaganje uređaja na otpad

Uređaji koji su označeni ovim simbolom se ne smiju odlagati na kućni otpad. Obavezni ste ovakve električne i elektronske stare uređaje odvojeno odlagati. Odvojenim odlaganjem stari uređaji odlaze na recikliranje ili u neki drugi vid ponovnog korištenja. Ovako pomažete da se izbjegne, da pod određenim okolnostima, štetne materije dospiju u okoliš.

Odlaganje pakovanja na otpad

Pakovanje se sastoji od kartona i odgovarajuće označenih umjetnih materijala koji se mogu reciklirati.



GARANTNI LIST



2 godine ograničene garancije

Popunite ovaj obrazac i pošaljite ga faksom na ispod navedene brojeve ili mailom. Ukoliko je proizvod neispravan, molimo, vratite ga prodavcu, zajedno sa dokazom kupovine.

- Molimo priložite fotokopiju/skeniranu potvrdu o kupovini.
- Molimo priložite slike/snimke i opis neispravnog ili oštećenog proizvoda.

Vaše prezime:

Adresa:

Adresa e-pošte:

Poštanski broj:

Broj modela:

Broj serije

Batch:

koji se nalazi na nazivnoj
pločici pozadi uređaja

Datum kupnje:

Godina:

OutTrade B.V.
Meeleweg 76
7711 EP Nieuwleusen
The Netherlands

Tel: +31-529—48 28 08
Fax: +31-529—48 49 10

info@outtrade.eu
www.outtrade.eu

Molimo opisati kvar:



RO Radiator pentru terasă

Traducere a instrucțiunilor originale

Stimată clientă/Stimat client,

Ne bucurăm de încrederea pe care ne-o acordați!

Înainte de prima punere în funcțiune citiți neapărat acest manual de utilizare! Aici găsiți indicații pentru exploatarea sigură și durata de viață lungă a aparatului. Respectați neapărat toate indicațiile privind siguranța din acest manual!

Pentru deservirea cu acest manual de utilizare

Toate imaginile necesare se găsesc pe primele pagini ale acestui manual de utilizare. În cadrul descrierilor, sunteți ghidat prin trimiteri la imaginile corespunzătoare.

Înainte de a începe...

Utilizarea conform destinației aparatului

Aparatul corespunde nivelului științei și tehnicii, precum și prevederilor referitoare la securitatea muncii în cadrul utilizării sale conforme, în vigoare la data aducerii lui pe piață.

Aparatul este destinat ca radiator pentru zona exterioară acoperită.

Aparatul nu este adecvat utilizării industriale sau meșteșugărești.

Orice altă utilizare contravine scopului pentru care aparatul a fost creat. Prin utilizarea în alt scop a pompei, prin modificarea acesteia sau prin utilizarea de piese de schimb neverificate și aprobate de către producătorul acestui aparat, se pot înregistra defecțiuni neprevăzute!

Orice utilizare care nu este corespunzătoare destinației aparatului, resp. toate acțiunile la aparat care nu sunt descrise în acest manual de utilizare, constituie o utilizare greșită și nepermisă, aflată în afara limitelor de răspundere legală a producătorului.





AVERTIZARE!

Copiii cu vârsta sub 3 ani nu trebuie lăsați nesupravegheați lângă dispozitiv.

AVERTIZARE!

Copiii cu vârsta cuprinsă între 3 și 8 ani pot porni/opri dispozitivul, cu condiția ca acesta să fie amplasat sau instalat în poziția sa definitivă, iar copiii să fie sub supravegherea unei persoane responsabile sau au fost instruiți cu privire la utilizarea în siguranță a dispozitivului și că cunosc și înțeleg toate riscurile legate de utilizarea dispozitivului. Copiii cu vârsta între 3 și 8 ani nu trebuie să conecteze dispozitiv la sursa de curent electric, să-i facă reglaje, să-l curețe și să efectueze întreținerea adecvată.

AVERTIZARE!

ESTE INTERZIS să se instaleze dispozitivul în apropierea materialelor ușor inflamabile, cum ar fi perdelele. Dispozitivul trebuie instalat departe de alte dispozitive ușor inflamabile.

AVERTIZARE!

Nu acoperiți dispozitivul pentru a preveni supraîncălzirea!

AVERTIZARE!

În niciun caz nu puneți pe dispozitiv materialele sau produsele inflamabile!

AVERTIZARE!

Unele componente ale dispozitivului pot să se încălzească la temperaturi foarte înalte și pot provoca arsuri. O atenție deosebită trebuie acordată copiilor și altor persoane amenințate, prezente în apropiere.

NOTĂ!

În cazul în care cablul de alimentare este defect sau deteriorat, acesta trebuie înlocuit de către o persoană autorizată în acest domeniu.

ESTE INTERZIS să încercați de unul singur să scurtați sau să reparați cablul de alimentare. Tăierea cablului de alimentare va duce la pierderea garanției.

NOTĂ! – INFORMAȚII GENERALE

După instalarea dispozitivului, asigurați-vă că toate orificiile de evacuare nu sunt obturate și sunt lipsite de orice impurități (în cazul în care dispozitivul este dotat cu astfel de componente).

NOTĂ!

Pentru a prelungi durabilitatea produsului dvs., se recomandă utilizarea unui capac. Capacul face parte din dotarea opțională și este disponibil independent de dispozitiv.





Pentru siguranța dv.

Instrucțiuni generale de siguranță

- Pentru o folosire sigură a acestui aparat, utilizatorul trebuie să citească și să înțeleagă acest manual de folosire înainte de prima utilizare.
- Respectați toate instrucțiunile de siguranță! În cazul în care nu respectați instrucțiunile de siguranță vă puneți pe dv și pe alții în pericol.
- Păstrați toate instrucțiunile de folosire și indicațiile de siguranță pentru utilizările viitoare.
- Dacă vindeți sau transmiteți altcuiva aparatul, înmânați-i neapărat și acest manual de folo-sire.
- Aparatul poate fi utilizat numai dacă este în stare ireproșabilă. Dacă aparatul sau o parte a acestuia e defectă, acesta trebuie scos din uz și dezafectat în mod corespunzător.
- Nu utilizați aparatul în spații cu pericol de explozie sau în apropierea lichidelor inflamabile sau gazelor!
- Asigurați întotdeauna aparatul deconectat contra pornirii neintenționate.
- Nu utilizați dispozitive, la care comutatorul Pornire/Oprire nu funcționează regulamentar.
- Țineți copiii la distanță de aparat! Depozitați aparatul în siguranță față de copii și față de per-soanele neautorizate.
- Nu suprasolicitați aparatul. Aparatul trebuie să fie utilizat numai în scopul prevăzut pentru el.
- Lucrați întotdeauna cu precauție și într-o stare corespunzătoare: oboseala, boala, consumul de alcool, influența medica-mentelor și drogurilor reprezintă iredponsabilitate, deoarece nu mai puteți utiliza în deplină siguranță aparatul.
- Acest aparat nu trebuie utilizat de persoane (inclusiv copii) cu capacități fizice, senzoriale sau psihice reduse sau lipsite de experiență și/sau cunoștințe, decât dacă sunt supravegheate pentru propria siguranță de către o persoană corespunzătoare sau dacă au primit instrucți-uni despre cum se utilizează aparatul.
- Asigurați-vă că, copii nu se joacă cu aparatul.
- Respectați întotdeauna prevederile naționale și internaționale privind siguranța, sănătatea și lucrul.

Siguranța electrică

- Aparatul se va conecta numai la o priză cu contact de protecție instalat în mod corespunzător.
- Protecția se va realiza cu ajutorul unui comutator de protecție pentru curent de defect (comutator FI), cu un curent de de-fect măsurat sub 30 mA.
- Înainte de cuplarea aparatului, trebuie asigurat că racordul la rețea corespunde datelor de racordare a aparatului.
- Aparatul se va utiliza numai în cadrul limitelor indicate de tensiune, putere și turație nomi-nală (a se vedea plăcuța de fabri-cație).
- Nu prindeți ștecherul de rețea cu mâna udă! Trageți ștecherul de rețea întotdeauna de ște-cher și nu de cablu.
- Nu îndoiiți, nu striviți, nu smulgeți sau nu pășiți pe cablul de rețea; protejați împotriva margi-nilor ascuțite, uleiului și căldu-rii.
- Nu ridicați aparatul de cablu, respectiv nu utilizați cablul în niciun alt scop.
- Controlați înaintea fiecărei utilizări ștecherul și cablul.
- În cazul deteriorării cablului de rețea, scoateți imediat ștecărul de rețea din priză. Nu utilizați niciodată mașina cu cablul de rețea deteriorat.
- Când mașina nu se utilizează, scoateți întotdeauna ștecărul din priză.
- Înaintea introducerii ștecărului în priză, asigurați-vă că aparatul este deconectat.
- Decuplați întotdeauna aparatul înaintea scoaterii ștecărului de la rețea.
- În timpul transportului scoateți aparatul de sub tensiune.

Indicații de siguranță specifice aparatului

Folosirea aparatului nu este permisă în spații interioare.

Este interzisă utilizarea aparatul în apropierea piscinelor, iazurilor de grădină etc.

Nu mișcați aparatul în timpul funcționării.

Nu înclinați aparatul în timpul funcționării.



- Nu introduceți obiecte în aparat prin grilajul de ventilație. Pericol de moarte!
- Distanța dintre grilajul de ventilație și obiectele inflamabile trebuie să măsoare cel puțin 75 cm.
- Este interzisă acoperirea aparatului. Există pericol de incendiu.
- Aparatul trebuie să stea pe un suport orizontal, neted, liber de jur împrejur. Distanțele de siguranță trebuie respectate întotdeauna.
- Nu expuneți niciodată aparatul apei sau altor lichide.
- Nu utilizați radiatorul cu un temporizator sau cu un alt comutator, care pornește aparatul automat, deoarece în caz contrar există pericol de incendiu.
- Nu amplasați radiatorul direct sub priza de perete.
- Nu este voie să se îndepărteze sau să se acopere simbolurile lipite pe aparat. Instrucțiunile de pe aparat care nu se mai pot citi trebuie să se înlocuiască imediat.

Curățarea

- Opriți aparatul și lăsați-l să se răcească complet.
- Scoateți ștecărul din priză.
- Ștergeți dispozitivul cu o lavetă ușor umedă.
 - Pentru curățarea elementilor de încălzire și a reflectorului, utilizați o pensulă cu perii lungi, moi.



Îndepărtarea deșeurilor

Îndepărtarea aparatului ca deșeu

Nu este permis ca aparatele marcate cu simbolul alăturat să fie îndepărtate împreună cu deșeurile menajere. Sunteți obligat să îndepărtați separat asemenea aparate electrice și electronice uzate.

Prin separarea deșeurilor dirijați aparatele uzate către reciclarea sau către alte forme de revalorificare. În acest fel contribuiți la evitarea ajungerii unor substanțe poluante în mediul înconjurător.

Îndepărtarea ca deșeu a ambalajului

Ambalajul este format din carton și materiale plastice marcate corespunzător, care pot fi reciclate.

- Dirijați aceste materiale către revalorificarea lor.



TALON DE GARANTIE



2 ani de garanție limitată

Vă rugăm să completați prezentul formular și să-l trimiteți prin fax sau e-mail la numerele indicate mai jos. Dacă produsul se dovedește defect, vă rugăm să-l returnați vânzătorului împreună cu dovada de achiziție.

- Vă rog să atașați scan/copie a dovezii de achiziție.
- Vă rog să atașați fotografiile/imaginile și descrierea produsului defectuos sau deteriorat.

Numele dumneavoastră:

Adresă:

Adresa de e-mail:

Cod poștal:

Număr model:

Număr serie

Batch:

situat pe plăcuța de identificare din spatele dispozitivului

Data achiziției

An:

OutTrade B.V.
Meeleweg 76
7711 EP Nieuwleusen
The Netherlands

Tel: +31-529—48 28 08
Fax: +31-529—48 49 10

info@outtrade.eu
www.outtrade.eu

Vă rog să descrieți defecțiunea:



RU Обогреватель для террасы

Перевод оригинального руководства по эксплуатации

Уважаемые покупатели!

Мы рады проявленному Вами доверию к нашей продукции!

Перед первой эксплуатацией прибора обязательно прочитайте инструкцию! В ней изложены все рекомендации для безопасного использования и продолжительного срока службы прибора. Обязательно соблюдайте все содержащиеся в инструкции по эксплуатации требования по технике безопасности!

Пользование данным руководством по эксплуатации

Все необходимые изображения Вы найдете на первых страницах руководства. В описаниях Вы найдете указания, отсылающие Вас к соответствующим рисункам.

Перед началом работы...

Использование по назначению

На момент пуска в обращение это устройства соответствует уровню развития науки и техники, а также действующим правилам техники безопасности, в рамках его использования по назначению.

Нагревательный прибор предназначен для использования в крытой зоне вне помещений.

Он не предназначен для промыслового или промышленного применения.

Любое другое (нецелевое) использование прибора противоречит предписаниям. Нецелевым применением, внесением самостоятельных изменений в конструкцию либо использованием частей, которые не проверены и не допущены к применению производителем прибора, может быть нанесен непредсказуемый ущерб!

Любое использование не по назначению или любая, не описанная в этой инструкции деятельность, является ненадлежащим использованием, которое не входит в законные рамки ответственности производителя.





ВНИМАНИЕ!

Дети в возрасте до 3 лет не должны находиться рядом с прибором без присмотра.

ВНИМАНИЕ!

Дети в возрасте от 3 до 8 лет могут включать/выключать прибор при условии, что его поместили или установили в целевом положении, а дети находятся под присмотром ответственного лица или были ознакомлены с безопасным использованием прибора, что они знают и понимают всю опасность, связанную с использованием прибором. Дети в возрасте от 3 до 8 лет не должны его включать, регулировать или чистить, а также не должны заниматься уходом за прибором, требуемым от пользователя.

ВНИМАНИЕ!

НЕЛЬЗЯ устанавливать прибор вблизи легковоспламеняющихся материалов, таких как шторы. Прибор следует устанавливать вдали от других легковоспламеняющихся устройств.

ВНИМАНИЕ!

Во избежание перегрева: не прикрывайте прибор!

ВНИМАНИЕ!

Ни в коем случае нельзя класть на прибор никаких горячих материалов или продуктов!

ВНИМАНИЕ!

Некоторые детали прибора могут нагреваться до очень высокой температуры и могут вызвать ожоги. Особое внимание следует уделять находящимся поблизости детям и другим лицам, подверженным опасности.

ВНИМАНИЕ!

Если питательный провод неисправен или поврежден, он должен быть заменен лицом, имеющим соответствующее право.

НЕЛЬЗЯ пробовать самостоятельно сократить или починить питательный провод. Отрезка питательного провода приведет к аннулированию гарантии.

ВНИМАНИЕ! - ОБЩАЯ ИНФОРМАЦИЯ

После завершения установки прибора следует убедиться в том, что все сливные отверстия проходимы и свободны от всяческих загрязнений (если прибор оснащен такими компонентами).

ВНИМАНИЕ!

Для продления срока службы Вашего изделия рекомендуется использовать крышку. Крышка относится к опциональному оснащению и доступна независимо от прибора.





Для Вашей безопасности

Общие указания по безопасности

- Для надежного обращения с этим устройством пользователь должен прочесть перед первым использованием это руководство по эксплуатации.
- Соблюдайте все указания по мерам безопасности! Если Вы пренебрежете указаниями по соблюдению мер безопасности, Вы подставите под угрозу себя и других.
- Сохраняйте инструкцию по эксплуатации и указания по безопасности для будущего использования.
- Если Вы продаёте устройство или передаёте его кому-то, обязательно прилагайте к нему инструкцию по эксплуатации.
- Прибор допускается к использованию только в исправном состоянии. При поломке устройства или одной из его частей его следует вывести из эксплуатации и утилизировать согласно предписаниям.
- Не используйте прибор в помещениях со взрывоопасной обстановкой, а также вблизи горючих жидкостей или газов!
- Выключенное устройство следует блокировать от случайного включения.
- Не используйте приборы, у которых выключатель не работает должным образом.
- Не подпускайте к устройству детей! Храните устройство в недоступном для детей и посторонних лиц месте.
- Не перегружайте устройство. Используйте устройство только для предназначенных целей.
- Работать следует осторожно и в хорошем состоянии: В результате усталости, болезни, алкогольного или наркотического опьянения, а также медикаментозного воздействия Вы не в состоянии безопасно пользоваться прибором.
- Устройство не предназначено для использования лицами (включая детей) с ограниченными физическими, сенсорными или умственными способностями/лицами с недостаточным опытом и/или знаниями, за исключением случаев, когда они находятся под присмотром лица, ответственного за их безопасность, или получили от такого лица инструкции по использованию устройства.
- Не допускайте, чтобы дети играли с прибором.
- Необходимо всегда соблюдать действующие национальные и международные правила техники безопасности, охраны здоровья и рабочие инструкции.

Электробезопасность

- Прибор разрешается подключать только к штепсельной розетке, оборудованной исправным защитным контактом.
- Подключение инструмента следует производить через дифференциальный автомат, срабатывающий при появлении тока утечки не более 30 мА.
- Перед включением прибора в сеть необходимо убедиться, что электроснабжение в сети соответствует требованиям электропитания прибора.
- Прибор допустимо использовать только в случае, если значения напряжения, мощности и номинальной скорости вращения не превышают максимально допустимые, указанные на табличке с основными техническими данными.
- Не брать сетевую вилку мокрыми руками! Вытаскивать сетевую вилку за вилку, а не за кабель.
- Не перегибайте, не сдавливайте, не дергайте и не переезжайте через сетевой кабель; берегите от контакта с острыми краями, маслами и высокой температурой.
- Не поднимайте прибор, держа за кабель; не используйте кабель в целях, для которых он не предназначен.
- Перед каждым использованием проверяйте штекер и кабель.
- В случае повреждения шнура питания немедленно отсоедините его от сети, вытащив штепсельную вилку. Никогда не используйте поврежденный сетевой кабель.
- Если прибор не используется, он должен всегда быть выключен из сети.
- Прежде чем подключить прибор к источнику электропитания, убедитесь, что он выключен.
- Перед тем, как вытащить штепсель из розетки, всегда выключайте прибор.
- При транспортировке прибор обесточивается.

Указания по безопасности для данного прибора



- Прибором нельзя пользоваться в закрытых помещениях.
- Прибором нельзя пользоваться рядом с бассейнами, садовыми прудами и т.п.
- Не перемещать прибор во время работы.
- Не наклонять прибор во время работы.
- Ни в коем случае не вводить предметы через вентиляционную решётку в прибор. Опасно для жизни!
- Расстояние между вентиляционной решёткой и горючими предметами должно составлять не менее 75 см.
- Прибор нельзя накрывать. Опасность пожара!
- Прибор должен стоять отдельно, на ровном горизонтальном основании. Безопасные расстояния до ближайших предметов обязательно должны соблюдаться.
- Ни в коем случае не допускать попадания на прибор воды или других жидкостей.
- Не используйте нагревательный прибор с таймером или с другим выключателем, автоматически включающим прибор, т.к. это ведёт к опасности возникновения пожара.
- Нагревательный прибор нельзя устанавливать непосредственно под стенной розеткой.
- Символы, которые находятся на приборе, нельзя удалять или закрывать. Указания на приборе, ставшие неразборчивыми, необходимо немедленно поменять на новые.

Чистка

- Выключить прибор и дать ему полностью остыть.
- Вынуть сетевую вилку.
 - Протереть прибор слегка влажной салфеткой.
 - Для чистки нагревательных стержней и отражателя используйте кисть с длинной мягкой щетиной.



Утилизация

Утилизация устройства

Устройства, обозначенные этим символом, нельзя утилизировать вместе с бытовыми отходами. Вы обязаны утилизировать такие электрические и электронные приборы отдельно. Посредством отдельной утилизации списанные устройства направляются на повторное использование или подвергаются другим формам переработки. Этим Вы поможете избежать загрязнения окружающей среды.

Утилизация упаковки

Упаковка состоит из картона и соответствующим образом обозначенного пластика, которые могут подвергаться переработке.

- Позаботьтесь о том, чтобы эти материалы были переданы для вторичной переработки.



ГАРАНТИЙНЫЙ ТАЛОН



2 года ограниченной гарантии

Прошу заполнить приведенную ниже форму и переслать её по номеру факсу, который указан ниже, или по электронной почте. Если изделие бракованное, прошу вернуть его продавцу вместе с товарным или кассовым чеком.

- Прошу добавить скан / копию товарного или кассового чека.
- Прошу добавить фотографии и описание бракованного или поврежденного изделия

Ваша фамилия:

Адрес:

Адрес электронной почты:

Индекс:

Модель №:

Заводской номер:

серия :

находится на
идентификационной табличке на
задней части прибор

Дата покупки:

Год:

OutTrade B.V.
Meeleweg 76
7711 EP Nieuwleusen
The Netherlands

Tel: +31-529—48 28 08
Fax: +31-529—48 49 10

info@outtrade.eu
www.outtrade.eu

Прошу описать дефект:



UA Обігрівач для тераси

Переклад оригінальної інструкції з експлуатації

Шановна клієнтка, шановний клієнт!

дякуємо вам за довіру!

Перед першим запуском в експлуатацію обов'язково прочитайте цю інструкцію з експлуатації! В ній Ви знайдете всі вказівки стосовно безпечної і тривалої експлуатації Вашого приладу. Обов'язково дотримуйтеся всіх вказівок з техніки безпеки, що містяться в цій інструкції!

Використання цієї інструкції з експлуатації

Всі необхідні малюнки Ви знайдете в інструкції на першій сторінці. В описах Ви знайдете вказівки, які направлять Вас до відповідних малюнків.

Перед початком роботи...

Використання за призначенням

Пристрій відповідає сучасному стану науки та техніки, а також діючим правилам безпеки в момент його введення в експлуатацію згідно призначення.

Нагрівальний прилад призначений для використання в критій зоні поза приміщеннями.

Прилад не призначається для виробничого застосування.

Будь-яке інше використання вважається таким, що не відповідає призначенню. Використання приладу не за призначенням, зміни в приладі і використання частин, що не були перевірені і допущені вироблювачем, може призвести до непередбаченої шкоди!

Будь-яке використання не за призначенням або будь-яка діяльність, не передбачена даною інструкцією, вважаються неналежним використанням, яке не входить в законні рамки відповідальності виробника.





ЗАСТЕРЕЖЕННЯ!

Забороняється залишати дітей віком до 3-х років поблизу пристрою без нагляду.

ЗАСТЕРЕЖЕННЯ!

Діти віком від 3 до 8 років можуть вмикати/вимикати пристрій за умови, що він розташований або встановлений у робочому положенні, а діти знаходяться під наглядом відповідальної особи або були ознайомлені з правилами безпечної експлуатації та знають і розуміють усі загрози, пов'язані з використанням пристрою. Діти віком від 3 до 8 років не повинні під'єднувати пристрій до електромережі, регулювати і чистити його, а також здійснювати передбачену профілактику і консервацію.

ЗАСТЕРЕЖЕННЯ!

ЗАБОРОНЯЄТЬСЯ встановлювати пристрої поблизу займистих матеріалів, зокрема штор.
Пристрій слід встановлювати на відстані від інших займистих приладів.

ЗАСТЕРЕЖЕННЯ!

Щоб уникнути перегрівання: Забороняється накривати пристрій!

ЗАСТЕРЕЖЕННЯ!

Категорично забороняється класти на пристрій будь-які горючі матеріали або продукти!

ЗАСТЕРЕЖЕННЯ!

Деякі елементи пристрою можуть нагріватися до дуже високої температури і спричиняти опіки. Слід звертати особливу увагу на дітей та інших осіб, які знаходяться поблизу.

УВАГА!

Якщо кабель живлення має дефекти або пошкодження, він повинен бути негайно замінений спеціалістом, що володіє відповідним допуском.

ЗАБОРОНЯЄТЬСЯ самостійно вкорочувати або ремонтувати кабель живлення. Обрізаний кабель живлення призводить до втрати гарантії.

УВАГА! – ЗАГАЛЬНА ІНФОРМАЦІЯ

Після завершення встановлення пристрою слід переконаватися в тому, що усі вихідні отвори прохідні і не містять забруднень (якщо пристрій обладнаний такими елементами).

УВАГА!

Щоб продовжити строк експлуатації виробу, рекомендується використовувати кришку.
Кришка належить до необов'язкового оснащення і може бути придбана окремо від пристрою.





Для Вашої безпеки

Загальні вказівки з техніки безпеки

- Для надійного використання даного приладу користувач повинен прочитати перед першим застосуванням дану інструкцію з експлуатації.
- Дотримуйтесь всіх вказівок з техніки безпеки! Якщо Ви нехтуєте вказівками з техніки безпеки, Ви наражаєте на небезпеку себе та оточуючих.
- Зберігайте інструкцію з експлуатації та вказівки з техніки безпеки для майбутнього використання.
- Якщо Ви бажаєте продати або передати прилад, обов'язково передайте інструкцію з експлуатації.
- Приладом дозволяється користуватися, лише якщо він повністю в порядку. Якщо прилад або його частина пошкоджені, його слід виключити і належним чином утилізувати.
- Не використовуйте прилад у приміщеннях, де існує небезпека вибуху, та поблизу від горючої рідини або горючих газів!
- Захищайте вимкнений прилад від випадкового вмикання.
- Не користуйтеся приладами, в яких вимикач не працює належним чином.
- Зберігайте прилад подалі від дітей! Зберігайте прилад в недоступному для дітей місці.
- Не перенавантажуйте прилад. Забороняється використовувати прилад не за призначенням.
- Працювати необхідно обережно та лише в належному стані: якщо Ви стомлені, хворі, вживали спиртне, ліки або наркотики, користуватися приладом безвідповідально, оскільки Ви не можете впевнено поводитися з приладом.
- Цей прилад не призначений для використання особами (в тому числі дітьми) з обмеженими фізичними, сенсорними чи розумовими здібностями чи особами, у яких немає достатньо досвіду і/чи знань, за винятком випадків, коли такі особи знаходяться під наглядом іншої відповідальної за їх безпеку особи, або одержали від неї вказівки щодо користування приладом.
- Не допускайте, щоб діти грали з приладом.
- Завжди дотримуйтесь діючих національних та міжнародних наказів щодо безпеки, охорони здоров'я та праці.

Електрична безпека

- Дозволяється вмикати прилад лише в розетку з належним захисним заземленням.
- Прилад потребує захисного вимикача від струмів пошкодження (захисний автомат FI) з номінальним аварійним током макс. 30 мА.
- Перед підключенням приладу треба впевнитися у тому, що мережне живлення відповідає параметрам приладу.
- Прилад дозволяється використовувати лише в межах зазначеної напруги, потужності і номінальної кількості обертів (див. заводську табличку).
- Не торкайтесь мережевого штекера вологими руками! Не тягніть за кабель.
- Не перегинайте мережний шнур, не передавлюйте його та не наїдьте на нього; захищайте його від гострих країв, олії та спеки.
- Не піднімайте прилад за шнур і не використовуйте шнур для інших не передбачених цілей.
- Перед кожним використанням перевіряйте штекер та кабель.
- При пошкодженні шнура живлення одразу витягніть штепсель. Ніколи не користуйтеся приладом, якщо пошкоджений шнур живлення.
- Витягуйте штепсель із розетки, коли Ви саме не користуєтесь приладом.
- Перед тим, як встромляти штепсель у розетку, впевніться, що прилад вимкнений.
- Перед тим, як витягувати штепсель із розетки, завжди вимикайте прилад.
- Перед транспортуванням приладу вимикайте його живлення.

Специфічні для Вашого приладу вказівки з техніки безпеки

- Приладом не можна користуватися в закритих приміщеннях.
- Приладом не можна користуватися поряд з басейнами, садовими ставками і т.п.



- Не переміщати прилад під час роботи.
- Не нахилити прилад під час роботи.
- У жодному випадку не вводити предмети через вентиляційні ґрати в прилад. Небезпечно для життя!
- Відстань між вентиляційними ґратами і горючими предметами повинна складати не менше 75 см.
- Прилад не можна накривати. Небезпека пожежі!
- Прилад повинен стояти окремо, на рівній горизонтальній основі. Безпечні відстані до найближчих предметів обов'язково повинні дотримуватися.
- У жодному випадку не допускати попадання на прилад води або інших рідин.
- Не використовуйте нагрівальний прилад з таймером або з іншим вимикачем, що автоматично включає прилад, оскільки це веде до небезпеки виникнення пожежі.
- Нагрівальний прилад не можна встановлювати безпосередньо під стінною розеткою.
- Символи, які знаходяться на приладі, не можна видаляти або закривати. Вказівки на приладі, що стали нерозбірливими, необхідно негайно поміняти на нові.

Чищення

- Вимкнути прилад і дати йому повністю остигнути.
- Вийняти мережеву вилку.
- Протерти прилад злегка вологою серветкою.
 - Для чищення нагрівальних стрижнів і відбивача використовуйте пензель з довгою м'якою щетиною.



Утилізація

Утилізація приладу

Прилади, позначені даним символом, не можна утилізувати разом зі звичайним сміттям. Ви зобов'язані утилізувати такі електричні прилади окремо.

За допомогою окремої утилізації Ви піддаєте прилади повторному використанню. Таким чином Ви допомагаєте уникнути потрапляння забруднюючих речовин в навколишнє середовище.

Утилізація упаковки

Упаковка складається з картону та відповідно позначеної пластмаси, які легко піддаються переробці.

- Забезпечте передачу цих матеріалів для вторинної переробки.



ГАРАНТІЙНИЙ ТАЛОН



2 роки обмеженої гарантії

Прошу заповнити наведену нижче форму і переслати її факсом, за номером, що вказаний нижче, або електронною поштою. Якщо виріб бракований, прошу повернути його продавцеві разом з товарним або касовим чеком.

- Прошу додати скан/копію товарного або касового чеку.
- Прошу додати світлини та опис бракованого або пошкодженого виробу.

Ваше прізвище:

Адреса:

Адреса електронної пошти:

Індекс:

Номер моделі:

Заводской номер:

серия:

знаходиться на ідентифікаційній
табличці на задній частині приладу

Дата покупки :

Рік:

OutTrade B.V.
Meeleweg 76
7711 EP Nieuwleusen
The Netherlands

Tel: +31-529—48 28 08
Fax: +31-529—48 49 10

info@outtrade.eu
www.outtrade.eu

Прошу описати дефект:



DK patio varmeapparat

Oversættelse af den originale betjeningsvejledning

Kære Kunder,

tak for Deres tillid!

Inden første opstart bedes De venligst læse nærværende betjeningsvejledning! Vejledningen indeholder anvisninger vedrørende sikkerhedsmæssigt forsvarlig brug af udstyret, som garanterer, at udstyret holder længe. Enhver form for sikkerhedsanvisninger indeholdt i denne vejledning skal under alle omstændigheder overholdes!

Oplysninger vedrørende brug af nærværende betjeningsvejledning

Alle de fornødne illustrationer findes på de første sider af denne vejledning. I teksten findes der henvisninger til de relevante illustrationer.

Inden du går i gang ...

Hensigtsmæssig anvendelse

Udstyret svarer til det aktuelle videnskabelige og tekniske niveau samt arbejdsmiljøregler, som der er gældende på tidspunktet for fremkomst på markedet indenfor hensigtsmæssig anvendelse.

Udstyret er beregnet til at blive brugt som et varmeapparat på udendørs, overdækkede steder.

Udstyret er ikke velegnet til erhvervmæssig eller industriel anvendelse.

Enhver anden anvendelse betragtes som uhensigtsmæssig. Uhensigtsmæssig anvendelse, indførelse af ændringer på udstyret eller brug af reservedele, som ikke er afprøvet og godkendt af producenten kan medføre uforudsigelige beskadigelser!

Enhver uhensigtsmæssig anvendelse eller enhver form for handlinger, som ikke blev beskrevet i denne betjeningsvejledning, udgør utilladt anvendelse, der ligger uden for producentens lovbestemte ansvarsområde.



**ADVARSEL!**

Børn på under 3 år må ikke efterlades i nærheden af udstyret uden opsyn.

ADVARSEL!

Børn i alderen 3 – 8 år kan kun tænde/slukke for udstyret, hvis den er opstillet el. installeret i dens målposition og hvis de er under opsyn af en ansvarlig voksen el. er blevet instrueret i sikkerhedsmæssigt forsvarlig brug af udstyret, samt er bekendt med at forstå alle farer i forbindelse med brugen heraf. Børn i alderen 3 – 8 bør ikke tilslutte udstyret til elforsyningen, justere, rengøre det el. foretage nogen som helst vedligeholdelsesindgreb, som påhviler brugeren.

ADVARSEL!

DET ER STRENGT FORBUDT at installere udstyret i nærheden af brændbare materialer, såsom f.eks. gardiner. Udstyret bør installeres på et sted væk fra andre letantændelige udstyr.

ADVARSEL!

For at undgå overophedning, må udstyret ikke tildækkes!

ADVARSEL!

Pas på aldrig at lægge nogen brændbare materialer el. produkter på udstyret!

ADVARSEL!

Nogen dele af udstyret kan opnå meget høje temperaturer og dermed medføre forbrændinger. Opmærksomheden bør i særlig grad rettes mod børn og andre personer, som opholder sig i nærheden af udstyret.

BEMÆRK!

Er elkablet fejlbehæftet el. beskadiget, skal det udskiftes af en faglært tekniker.

DET ER IKKE TILLADT at forsøge at forkorte el. reparere elkablet på egen hånd. Garantien bortfalder, hvis elkablet klippes over.

BEMÆRK! – GENERELLE OPLYSNINGER

Efter endt installation af udstyret kontrollér, at ingen af afgangsåbningerne er blokeret el. forurenede (hvis udstyret er udstyret hermed).

BEMÆRK!

For at forbedre produktets holdbarhed, tilrådes det, at du bruger et dæksel. Dækslet indgår som led i det valgfrie tilbehør og er tilgængeligt uanset selve udstyret.





For Deres sikkerheds skyld

Generelle sikkerhedsanvisninger

- For at garantere sikkerhedsmæssigt forsvarlig betjening af udstyret skal brugeren læse og forstå betjeningsvejledningen inden førstegangs brug af udstyret.
- Alle arbejdsmiljøregler skal overholdes! Manglende overholdelse af arbejdsmiljøregler medfører fare for brugeren selv og for andre.
- Alle betjeningsvejledninger og sikkerhedsanvisninger gemmes til fremtidig reference.
- I tilfælde af salg eller overdragelse af udstyret skal nærværende betjeningsvejledning under alle omstændigheder medfølge.
- Udstyret må anvendes udelukkende på betingelse af, at det er i upåklagelig teknisk stand. Er udstyret eller en del heraf defekt skal udstyret tages ud af brug og bortskaffes på fagligt korrekt vis.
- Udstyret må ikke anvendes i lokaler, hvor der er eksplosionsfare eller i nærheden af brandfarlige væsker og gasser!
- Slukket udstyr skal altid sikres for at forhindre utilsigtet aktivering.
- Er afbryderen defekt må udstyret ikke anvendes.
- Lad ikke børn komme i nærheden af udstyret! Børn og uautoriserede personer må ikke have adgang til udstyret.
- Udstyret må ikke overbelastes. Udstyret må udelukkende anvendes i overensstemmelse med formålet.
- Arbejde må udelukkende udføres, mens man er i god kondi og under forudsætning af, at der udvises den fornødne agtpågivenhed. Personer, der er syge, trætte, under påvirkning af alkohol, lægemidler eller euforiserende stoffer er uansvarlige og er dermed ikke i stand til at anvende udstyret på en sikkerhedsmæssigt forsvarlig vis.
- Udstyret er ikke beregnet til at blive anvendt af personer (herunder børn), der befinder sig i begrænset fysisk, sensorisk eller psykisk tilstand eller der mangler erfaring og/eller viden, medmindre de er under tilsyn af ansvarlige personer og medmindre de blev af de pågældende personer instrueret omkring brugen af udstyret.
- Lad ikke børn anvende udstyret for legens skyld. • Gældende nationale og internationale arbejdsmiljøregler skal altid overholdes.

El-sikkerhed

- Udstyret må udelukkende tilsluttes stikkontakter med korrekt monteret jordstik.
- Beskyttelse skal udføres ved hjælp af en beskyttende fejlstrømafbryder med beregningsmæssig fejlstrøm på ikke mere end 30 mA.
- Før tilslutning af udstyret kontrolleres, om nettilslutningen svarer til oplysninger vedrørende tilslutning af udstyret.
- Udstyret må udelukkende anvendes med det oplyste spændingsområde, effekt og nominel omdrejningshastighed (se mærkeplade).
- Stikket må ikke røres ved med våde hænder! Netledningen frakobles altid ved at trække i stikket og ikke i selve ledningen.
- Det er ikke tilladt at bøje og klemme netledningen eller køre hen over ledningen; ledningen beskyttes mod skarpe kanter, olier og varme.
- Udstyret må ikke løftes ved at holde i ledningen, ledninger må heller ikke anvendes til andre formål, som de ikke er beregnet til.
- Før hver brug kontrolleres stikket og ledningen.
- Er netledningen defekt skal stikket tages ud af kontakten med det samme. Brug aldrig udstyret med en defekt netledning.
- Er udstyret ikke i brug, skal stikket altid være udtaget fra kontakten.
- Før du sætter stikket i kontakten husk at forsikre dig om, at udstyret er slukket.
- Før du tager stikket ud af kontakten skal udstyret altid slukkes.
- Med henblik på transport skal udstyret frakobles strømmen.



Udstyrsspecifikke anvisninger

- Udstyret må ikke anvendes i lukkede lokaler.
- Udstyret må ikke anvendes i nærheden af svømmehaller, havedamme osv.
- Udstyret må ikke bevæges under brug.
- Udstyret må ikke vippes under brug.
- Der må under ingen omstændigheder anbringes nogen genstande i udstyret igennem ventilationsgitteret. Livsfare!
- Afstanden mellem ventilationsgitteret og brandfarlige materialer bør udgøre mindst 75 cm.
- Udstyret må ikke tildækkes. Der er risiko for brand.
- Udstyret opstilles på et plant og vandret underlag. Omkring udstyret skal der være frit rum. Sikkerhedsafstanden skal altid overholdes.
- Udstyret må ikke udsættes for påvirkning af vand eller andre væsker.
- Pga. risikoen for brand må udstyret ikke køre med tidsafbryder eller en anden afbryder, der medfører automatisk aktivering.
- Udstyret må ikke opstilles direkte under stikkontakten på væggen.
- Det er forbudt at fjerne eller tildække symboler på udstyret. Ulæselige informationsskilte på udstyret udskiftes omgående.

Rengøring

- Udstyret slukkes for og lades køle helt ned.
- Stikket udtages fra kontakten.
- Udstyret rengøres vha. en lettere fugtig klud.
- Til rengøring af varmelegemer og lygter anvendes en pensel med langt, blødt hår.



Bortskaffelse

Bortskaffelse af udstyret

Udstyr, der er markeret med symbolet vist ved siden af, må ikke bortskaffes med husholdningsaffald. Gamle elektriske og elektroniske apparater bortskaffes særskilt.

Takket være bortskaffelsen bliver udstyret genbrugt eller genanvendt i en anden form. Dermed forhindres eventuel udledning af forurenende stoffer til miljøet.

Bortskaffelse af emballagen

Emballagen består af karton og hensigtsmæssig mærket plast, der egner sig til genbrug.

- Materialerne afleveres til et genbrugscenter mhp. genbrug.



GARANTIKORT



To års begrænset garanti

Nedenstående formular bedes udfyldt og sendt pr. telefax el. via e-mail til nedenstående nummer/adresse. Viser det sig, at produktet er fejlbehæftet, bedes det sendt retur til sælgeren sammen med et købsbevis.

- Vedlæg venligst et scannet købsbevis el. en fotokopi heraf.
- Vedlæg venligst fotografier/billeder af og en beskrivelse af det fejlbehæftede el. beskadigede produkt.

Deres efternavn:

Deres efternavn:

E-mail-adresse:

Postnummer:

Modelnummer:

Serienummer:

Batch:

anført på mærkepladen placeret bagerst på udstyret

Købsdato:

År:

OutTrade B.V.
Meeleweg 76
7711 EP Nieuwleusen
The Netherlands

Tel: +31-529—48 28 08
Fax: +31-529—48 49 10

info@outtrade.eu
www.outtrade.eu

Beskriv venligst fejlen:



NO terrasse varmeren

Oversettelse av original bruksanvisning

Kjære kunde,

Takk for din tilgitt!

Før første bruk lese nøye gjennom denne bruksanvisningen! Den inneholder retningslinjer for sikker bruk og langvarig drift av utstyret. Følg nøye sikkerhetsanvisninger inkludert i denne bruksanvisningen.

Informasjoner angående bruk av denne bruksanvisningen

Alle nødvendige illustrasjoner befinner seg på de første sidene av denne bruksanvisningen. Henvisninger til teksten finnes i beskrivelsene til de relevante illustrasjonene.

Før du begynner...

Bruk i samsvar med bruksformålet

Utstyret er produsert i samsvar med tilgjengelig vitenskap og teknologi samt sikkerhetsforskrifter gjeldende på tidspunktet når enheten ble introdusert på markedet for bruk i samsvar med dets formål.

Utstyret er ment for bruk som en varmeovn på tildekket utendørsområder.

Utstyret egner seg ikke til yrkesbruk eller industriell bruk.

Hvert bruk som ikke er i samsvar med formålet, innføring av endringer i enheten eller bruk av deler som ikke er autoriserte av produsenten kan føre til uforventede skader!

Hvert bruk som ikke er i samsvar med bruksformålet til enheten og alle andre handlinger utført i forhold til utstyret som ikke er beskrevet i denne bruksanvisningen faller innenfor ulovlig bruk av enheten og er dermed utenfor produsentens lovpålagt ansvarsområde.





For din sikkerhet

Generelle sikkerhetsforskrifter

- For sikker bruk av enheten bør brukeren lese og forstå bruksanvisningen før enheten brukes for første gang.
- Brukeren bør følge alle sikkerhetsanvisningene for sikker drift av enheten! Dersom disse ikke blir etterfulgt skaper man fare for seg selv og andre.
- Oppbevar alle bruksanvisningene og sikkerhetsanvisningene for fremtidig bruk.
- Ved salg eller overlevering av enheten må bruksanvisningen også følge med.
- Enheten kan kun brukes dersom den er i god teknisk tilstand. Hvis enheten eller noen av dens deler er skadet, bør utstyret skrus av og avhendes på en profesjonell måte.
- Ikke bruk utstyret på rom hvor det er fare for eksplosjon eller i nærheten av brennbar væske eller gas.
- Utstyret bør sikres mot uforventet påkobling når det er skrudd av.
- Ikke bruk utstyret når av/på knappen er ødelagt.
- Barn bør ikke slippes til utstyret! Beskytt enheten mot barn og uautoriserte personer.
- Ikke overbelast enheten. Bruk kun i samsvar med bruksformålet.
- Bruk enheten kun når du er i god fysisk og psykisk tilstand og med forbehold om sikkerhet. Personer som er trøtte, syke, påvirket av alkohol, medisiner eller narkotika er ikke ansvarlige og er dermed ikke i stand til å bruke enheten på en forsvarlig og trygg måte.
- Enheten bør ikke brukes av personer (også barn) som har nedsatt fysisk, sensorisk eller mental evne, personer som ikke har erfaring eller kunnskap om bruk av utstyr av denne typen med mindre de er under tilsyn til ansvarlige personer og har mottatt instruksjoner for bruk av enheten.
- Ikke la barna leke med enheten.
- Ta alltid hensyn til gjeldende internasjonale og nasjonale HMS-regler.

Elektrisk sikkerhet

- Det er kun lov å koble enheten til en stikkontakt med en korrekt installert beskyttelseskontakt.
- Beskyttelsen må gjennomføres ved hjelp av en beskyttende differensialbryter med en beregnet sviktstrøm på ikke mer enn 30 mA.
- Før enheten kobles til strøm kontroller om strømkildens spenning stemmer med angivelsene for enheten.
- Enheten kan kun brukes innenfor angitt spenning, styrke og nominell rotasjonshastighet (se symbolskilt).
- Ikke rør støpselet med våte hender! Ledningen bør alltid kobles fra ved å trekke den ut ved å holde i støpselet og ikke kablelen.
- Det er ikke lov å bøye, knuse eller kjøre over ledningen. Beskytt den mot skarpe kanter, olje og varme.
- Enheten kan ikke løftes i kablelen. Det er ikke lov å bruke kablene til mål som ikke stemmer overens med deres tilsiktede bruk.
- Før hvert bruk sjekk støpselet og ledningen.
- Dersom ledningen blir ødelagt trekk den umiddelbart ut fra kontakten. Aldri bruk enheten med ødelagt ledning.
- Dersom enheten ikke er i bruk må støpselet alltid trekkes ut fra kontakten.
- Før du setter enheten i kontakten, sjekk at den ikke står på.
- Før du trekker enheten ut fra kontakten, sjekk at den ikke står på.
- Trekk enheten ut fra kontakten under transport.

Retningslinjer for bruk av enheten

Det er ikke lov å bruke enheten i stengte rom.

Enheten kan ikke brukes i nærheten av svømmebassenger, hagedammer, osv.

Ikke rør på enheten under drift.



ADVARSEL!

Barn under 3 år bør ikke være i nærheten av enheten uten tilsyn.

ADVARSEL!

Barn mellom 3 og 8 år kan slå på/av enheten forutsatt at den er plassert eller installert i den tiltenkte posisjonen og at barna er under tilsyn av en ansvarlig person eller har fått opplæring i sikker bruk av enheten samt at de kjenner og forstår alt risiko knyttet til bruk av enheten. Barn mellom 3 og 8 år skal ikke tilkoble enheten til strømmen, foreta justeringer, rengjøre enheten eller utføre brukervedlikehold.

ADVARSEL!

DET ER IKKE TILLATT å installere enhetene nær brennbare materialer som f.eks. gardiner.

Enheden skal installeres vekk fra annet brennbart utstyr.

ADVARSEL!

For å unngå overoppheting: Enheden må ikke tildekkes!

ADVARSEL!

Brennbare materialer eller produkter må aldri plasseres på enheten!

ADVARSEL!

Noen deler av enheten kan bli veldig varme og kan forårsake brannskader. Spesiell oppmerksomhet bør rettes mot barn og andre truede personer i nærheten.

ADVARSEL!

Hvis strømledningen er defekt eller skadet, må den skiftes ut av en autorisert person.

DET ER IKKE TILLATT å forsøke på å forkorte eller reparere strømledningen på egen hånd. Garantien vil bli ugyldig hvis strømledningen kuttes.

ADVARSEL! – GENERELL INFORMASJON

Etter at installasjonen av enheten er fullført, må du sørge for at alle dreneringshull er fri for smuss og forurensninger (hvis enheten har dreneringshull).

ADVARSEL!

For å forlenge produktets holdbarhet, anbefales det å bruke et deksel.

Dekselet selges separat som tilbehør.



- Ikke vipp enheten under drift.
- Sett aldri inn gjenstander i ventilasjonsgitteret. Fare for livet!
- Avstand mellom ventilasjonsgitter og brennbare gjenstander bør være minimum 75 cm.
- Der ikke lov å dekke over enheten. Fare for brann.
- Enheten bør plasseres på et flat, horisontalt gulv. Rundt enheten bør det være ledig plass. Alltid hold sikkerhetsavstanden.
- Enheten må aldri utsettes mot virkingen av vann eller annen væske.
- Enheten kan ikke driftes med en tidsbryter eller hvilken som helst annen bryter som medfører at enheten skrur på automatisk grunnet brannfare.
- Enheten kan ikke plasseres direkte under stikkontakten på veggen.
- Det er forbudt å fjerne eller dekke til symbolskiltet som befinner seg på enheten. Skilt med informasjon som ikke er lesbar bør byttes umiddelbart.
- Renhold
- Skru enheten av og vent til den blir helt kald.
- Trekk ut støpslet fra stikkontakten.
- Tørk enheten med en fuktig klut.
- For å rense varmeapparatet og reflektor bruk en pensel med langt, mykt hår.

Avhending

Avhending av utstyr



Denne etiketten viser at produktet ikke skal kasseres sammen med husholdningsavfall. Derfor er dere pliktet til å levere oppbrukte elektriske og elektroniske utstyr til godkjente retur- og innsamlingsordninger.

Gammelt utstyr som avhendes på riktig måte resirkuleres eller gjenvinnes på en annen måte. På denne måten hindres mulige utslipp av forurensninger til miljøet.

Avhending av innpakningen



Emballasjen består av en kartong og henholdsvis markert plast som kan gjenbrukes.

- lever disse materialene til gjenbruk.



GARANTIKORT



2 års begrenset garanti

Vennligst fyll ut dette skjemaet og send det på faks eller e-post til numrene nedenfor. Hvis produktet viser seg å være mangelfullt, vennligst returner det til leverandøren sammen med salgskvitteringen.

- Legg ved en skann/kopi av salgskvitteringen.
- Legg ved bilder og beskrivelse av det defekte eller ødelagte produktet.

Ditt navn:

Adresse:

E-postadresse:

Postnummer:

Modelnummer:

Serienummer:

Batch:

plassert på typeskiltet på
baksiden av enheten

Innkjøpsdato:

År:

OutTrade B.V.
Meeleweg 76
7711 EP Nieuwleusen
The Netherlands

Tel: +31-529—48 28 08
Fax: +31-529—48 49 10

info@outtrade.eu
www.outtrade.eu

Vennligst beskriv feilen:



SE terrass värmare

Översättning av bruksanvisningen i original

Till våra kunder

Tack för ert förtroende!

Läs denna bruksanvisning före första igångsättning!

Här hittar du anvisningar om driftsäkerhet samt vad man ska göra för att säkerställa lång livslängd av anordningen. Följ noga alla säkerhetsanvisningar som finns i denna bruksanvisning.

Hur använder du denna bruksanvisning?

Alla bilder finns på de första sidorna. Du kan hitta hänvisningar till dessa bilder i beskrivningsdelen.

Innan du börjar

Ändamålsenlig användning

Denna anordning har tillverkats i enlighet med aktuell teknisk nivå och säkerhetsföreskrifter som var gällande den dag då anordningen salufördes.

Denna anordning ska användas som värmeelement utomhus och skall placeras under tak

Denna anordning skall inte användas i affärssyfte eller i industri!

Varje annan användning anses som ej ändamålsenlig. Anordningen kan skadas när den inte används på ett ändamålsenligt sätt, när du gör ändringar av anordningen eller när du använder reservdelar som inte kontrollerats och godkänts av tillverkaren!

Användning av anordningen på ett icke ändamålsenligt sätt eller vidtagande av åtgärder på anordningen som inte blivit beskrivna i denna bruksanvisning innebär en olaglig användning och leder till att tillverkaren frigörs från garantiansvaret.





VARNING!

Barn under 3-årsåldern får ej vistas i närheten av anordningen utan uppsikt.

VARNING!

Barn mellan 3 och 8 år får slå på/stänga av anordningen under förutsättning att den har placerats/installerats i sitt avsedda läge och att barnen är i sällskap av en ansvarsfull person eller om de har fått lära sig hur man använder anordningen på ett säkert sätt och är införstådda med alla faror hänförliga till användning av anordningen. Barn mellan 3 och 8 år bör inte koppla anordningen till strömmen, justera, rengöra den eller sköta erforderligt underhåll.

VARNING!

Anordningen FÅR INTE installeras nära lättantändliga material som t.ex. gardiner.

Anordningen bör installeras åtskilt från andra lättantändliga anordningar.

VARNING!

Gör så här för att undvika överhettning: Täck inte över anordningen!

VARNING!

Inga lättantändliga material eller produkter får placeras på anordningen!

VARNING!

Vissa delar av anordningen kan värmas upp till väldigt höga temperaturer och orsaka brännskador. Var särskilt uppmärksam på barn och andra som kan utsättas som vistas i närheten.

OBSERVERA!

Om elkabeln är defekt eller trasig ska den bytas ut av en kompetent person.

Det är FÖRBJUDET att på egen hand försöka korta ner eller reparera elkabeln. Om elkabeln kapas slutar garantin gälla.

OBSERVERA! - ALLMÄN INFORMATION

När anordningen är installerad är det viktigt att se till att inga avrinningshål är tilltäppta samt att det inte finns några föroreningar (om anordningen är utrustad med sådana element).

OBSERVERA!

Det rekommenderas att du använder ett lock för att säkerställa att din produkt håller längre.

Lock är tillvalsutrustning och finns tillgängliga oavsett vilken produkt du har valt.





För din säkerhet

Allmänna säkerhetsföreskrifter

- Läs igenom denna bruksanvisning före första igångsättning för att säkerställa säker drift av anordningen
- Följ alla arbetsmiljöföreskrifter för att inte skapa risk för dig eller andra
- Förvara alla bruksanvisningar och säkerhetsföreskrifter för framtida användning
- Överlämna denna bruksanvisning i samband med försäljning eller överlåtande av anordningen
- Anordningen skall endast användas i perfekt tekniskt skick. Har anordningen eller dess komponent skadats skall den kopplas av och hanteras på ett lämpligt sätt.
- Anordningen får inte användas på ställen där explosionsrisk föreligger eller i närheten av brandfarliga vätskor eller gaser!
- Se till att säkra frånkopplad anordning så att den inte oavsiktligt kopplas på
- Använd inte denna anordning när strömbrytaren är sönder
- Förvaras oåtkomligt för barn! Skydda anordningen från barn eller annan obehörig användning
- Överbelasta ej anordningen. Anordningen skall endast användas på ett ändamålsenligt sätt
- Arbeta alltid när du är i bra fysisk form och arbeta säkert. Trötta, sjuka, alkohol-, medicin- eller narkotikapåverkade personer är inte ansvariga och kan inte använda anordningen på ett säkert sätt.
- Anordningen skall inte användas av personer (även barn) som är i begränsat fysiskt, sensoriskt eller mentalt tillstånd eller som inte har lämpliga erfarenheter och/eller kunskaper. Detta gäller inte i de fall då det finns tillsyn från behöriga som givit anvisningar om hur anordningen ska användas
- Se till att barn inte leker med anordningen.
- Beakta alltid lokala och internationella arbetsmiljöbestämmelser

Elsäkerhet

- Koppla anordningen till vägguttaget med korrekt installerat jordat uttag.
- Elsäkerheten skall garanteras genom användning av differentialbrytare med jordfelsbrytare (max. 30 mA)
- Kontrollera att strömanslutningen motsvarar anordningens anslutningsvärden.
- Anordningen skall endast användas inom angiven spänning, effekt och märkvarvtal (se märkskylt)
- Vidrör aldrig uttaget med våta händer! Dra i stickkontakt - inte i kabel när du kopplar av enheten.
- Böj, krossa eller kör inte på anslutningskabeln. Undvik skarpa ytor, olja eller hetta.
- Lyft aldrig anordningen genom att ta dra i kabeln. Kablar ska användas på ett ändamålsenligt sätt
- Kontrollera alltid stickkontakt och kabel innan du använder anordningen
- Dra ut stickkontakt ur uttaget när kabeln har skadats. Använd aldrig anordningen med skadad kabel.
- Dra ut stickkontakt när anordningen inte är i bruk
- Kontrollera att anordningen är frånkopplad innan du sätter stickkontakt i eluttaget.
- Slå av anordningen innan du drar stickkontakt ur eluttaget
- Koppla av anordningen före transport



Produktspecifika anvisningar

- Denna anordning får inte användas i slutna utrymmen
- Denna anordning får inte användas i närheten av simbassänger, trädgårdsdammar m.m.
- Skaka inte anordningen i driftläge
- Sänk inte anordningen i driftläge
- Stoppa aldrig föremål genom ventilationsdon. Livsfara!
- Avståndet mellan ventilationsdon och brandfarliga föremål ska vara minst 75 cm
- Täck inte över anordningen. Brandrisk föreligger
- Ställ anordningen på jämnt, vågrätt underlag. Lämna fritt utrymme omkring anordningen. Håll alltid säkerhetsavståndet
- Sänk aldrig ner anordningen i vatten eller annan vätska
- Denna anordning skall inte drivas med timer eller annan brytare som leder till automatisk frånkoppling. Brandrisk föreligger
- Placera inte anordningen direkt vid vägguttaget
- Ta inte bort eller täck inte över symboler på anordningen. Skyltar som inte är läsbara ska bytas ut.

Rengöring

- Slå av anordningen och låt den stå stilla för att kyla ned den
- Dra stickkontakt ur eluttaget
- Rengör försiktigt med fuktig trasa
- Använd pensel med lång, mjuk borst



Avfallshantering

Hantering av förbrukad anordning

Alla anordningar som är märkta med denna symbol får inte behandlas som hushållsavfall. Förbrukat el- och elektroniskt avfall skall hanteras separat.

Förbrukade anordningar kan återvinnas eller behandlas på ett annat sätt. Så undviker du utsläpp av farliga ämnen i miljö.

Hantering av förpackning

Produkten förpackas i kartong och märkt plast som kan återanvändas.

- Lämna tillbaka detta material så att det kan återanvändas



GARANTIKORT



Begränsat garanti i två år

Fyll i denna blankett och faxa eller skicka den per mail till nedan angivna nummer/adress. Är produkten bristfällig lämna den tillbaka till säljaren. Glöm inte kvittot!

- Bifoga scannad bild/kopia på kvitto.
- Bifoga även bilder samt beskrivning av den bristfälliga eller skadade produkten

Namn:

Adress:

E-post:

Postnummer:

Modelnummer:

Serienummer:

Batch:

finns på märksylten på anordningens baksida

Inköpsdatum:

År:

OutTrade B.V.
Meeleweg 76
7711 EP Nieuwleusen
The Netherlands

Tel: +31-529—48 28 08
Fax: +31-529—48 49 10

info@outtrade.eu
www.outtrade.eu

Beskriv felet: