

SIMONWORK BT6 1200 Plywood



86,5 x 120 x 75 cm
34.1" x 47.2" x 29.5"

5 Años Garantía
 Years Guarantee
 Jahre Garantie
 Ans Garantie
SIMONRACK



- | | | | |
|------------------------------------|----------------------------------|----------------------------------|--|
| 4 x

82,5 cm
32.5" | 2 x

72 cm
28.3" | 2 x

72 cm
28.3" | 2 x

100 cm
39.4" |
| 12 x
 | 54 x
 | 42 x
 | 1 x

75x120 cm
29.5" x 47.2" |



Simon
Rack
 SINCE 1964 - MANUFACTURER

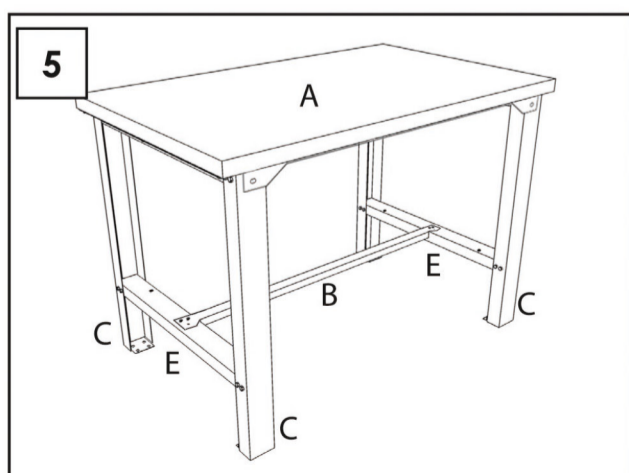
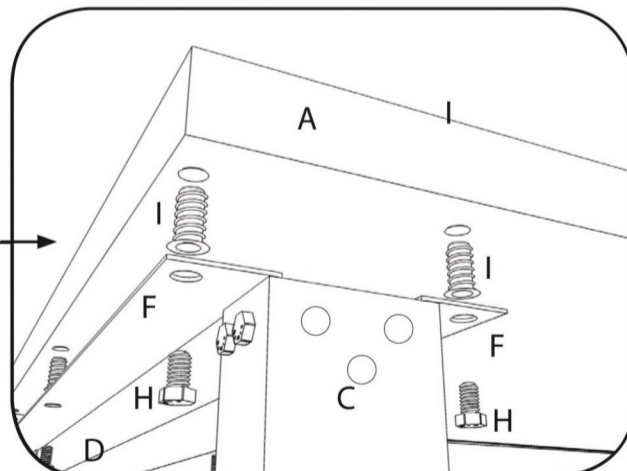
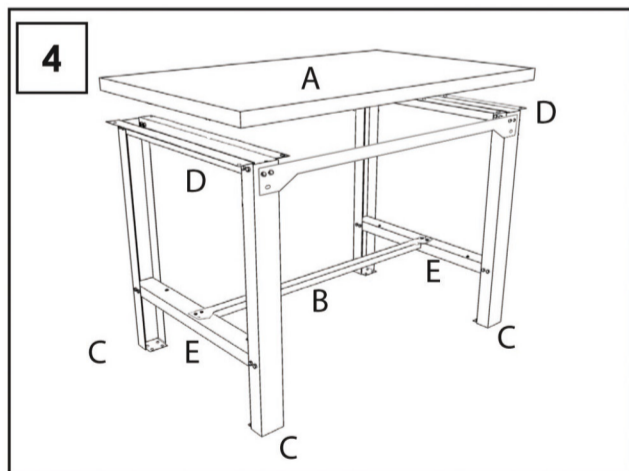
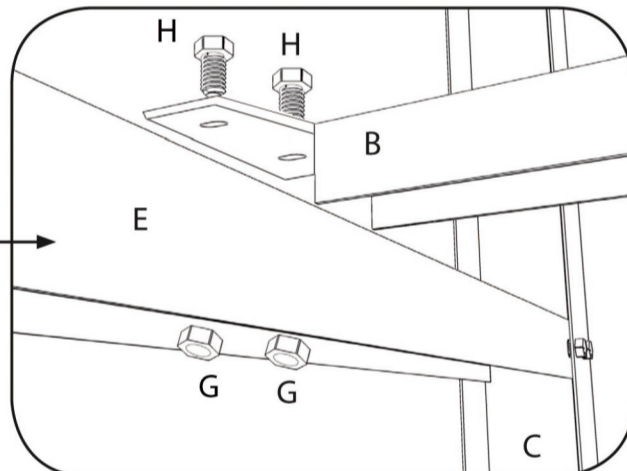
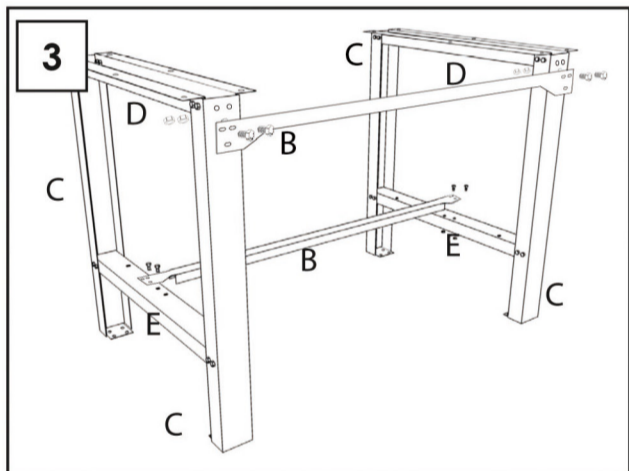
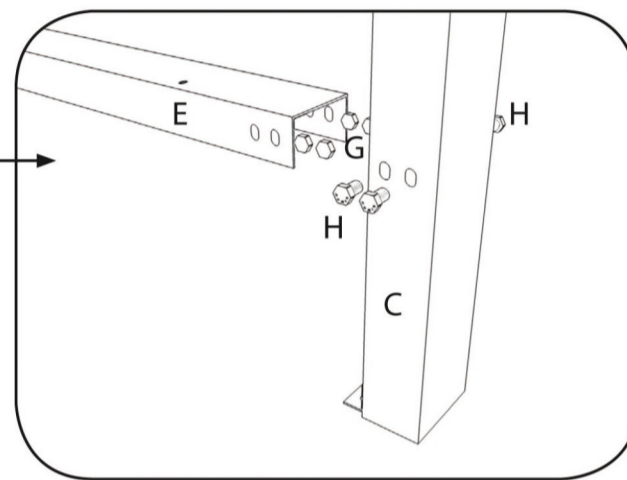
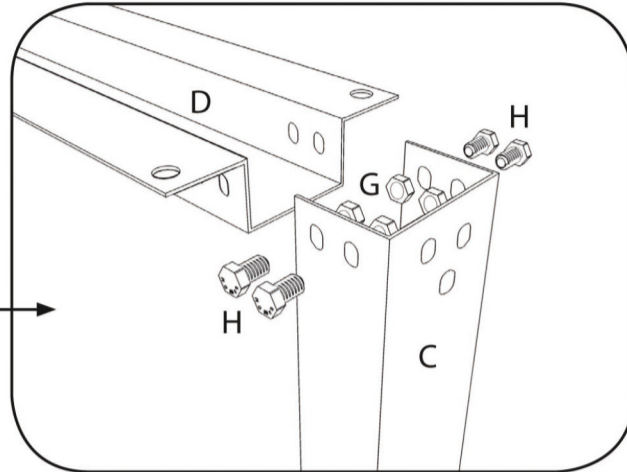
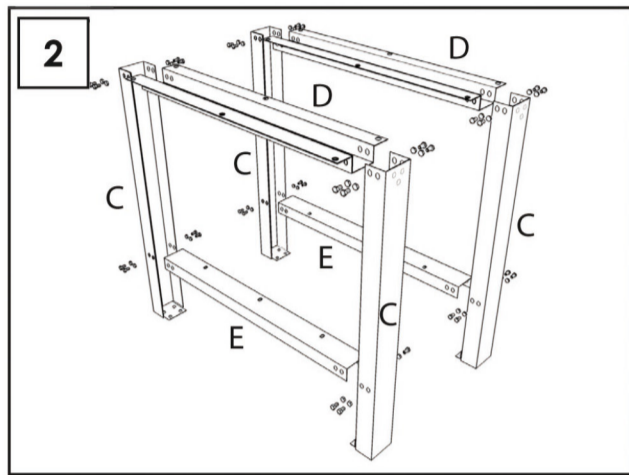
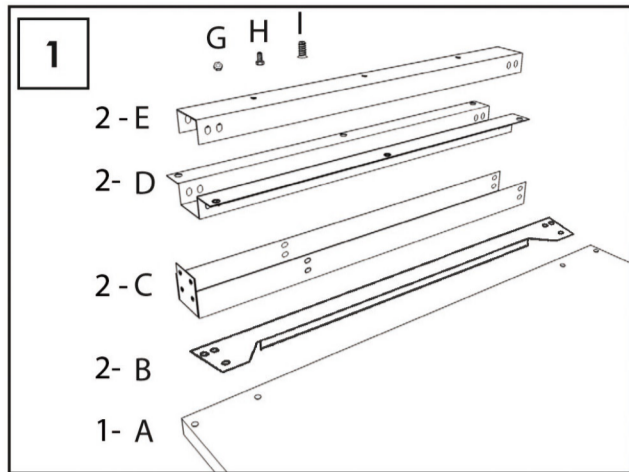
ESTANTERIAS SIMON S.L. B.50.556.463
 PG. ALFAMEN C/ POLIGONO C. Nº3
 ALFAMEN (ZARAGOZA)



www.simonrack.com



INSTRUCCIONES
 INSTRUCTIONS
 ANLEITUNG
 INSTRUCTIONS



SIMONCLASSIC



SIMONCLICK



SIMONTALLER



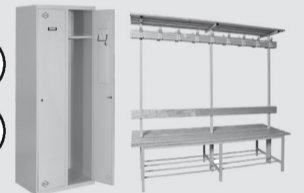
SIMONAUTO



SIMONWORK



SIMONLOCKER



SIMONOFFICE



SIMONHOME



SIMONGARDEN



SIMONTITÁN



SIMONINOX



SIMONINDUSTRIAL

SIMONPALET



SIMONLEVER



ALTILLOS Y PASILLOS ELEVADOS
 PLATFORMS AND MEZZANINES
 LAGERBÜHNEN • PLATES-FORMES ET MEZZANINES



* Kg / lb per bandeja con carga uniformemente repartida
 Kg / lb per shelf uniformly distributed load
 Kg / lb pro fach bei gleichmäßig verteilter Last
 Kg / lb par plateau avec charge uniformément répartie