

# 200x100x40 cm\*

## 78.7" x 39.4" x 15.8"

### KIT SIMONGARAGE PLUS 4/400

**5 years**  
SIMONRACK  
GUARANTEE

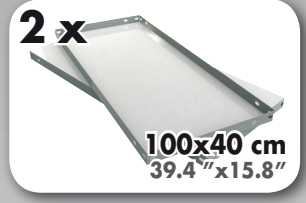
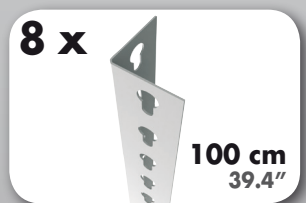


**800 kg**  
(1764 lb)  
Total

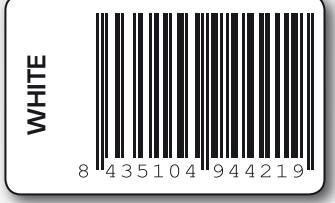
200 cm (78.7")

40 cm (15.8")

100 cm (39.4")



\*MEDIDAS EN USO: 1979 x 1011 x 410 mm  
USED MEASUREMENTS: 77.91" x 39.80" x 16.14"



ESTANTERIAS SIMON S.L. B.50.556.463  
PG. ALFAMEN C/ POLIGONO C. Nº3  
ALFAMEN (ZARAGOZA)

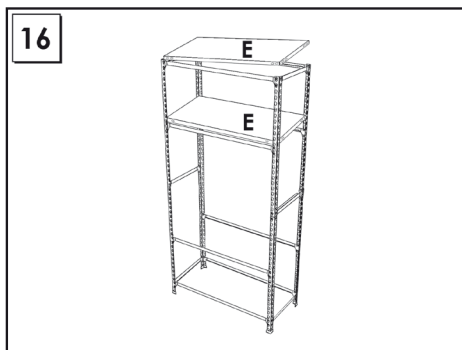
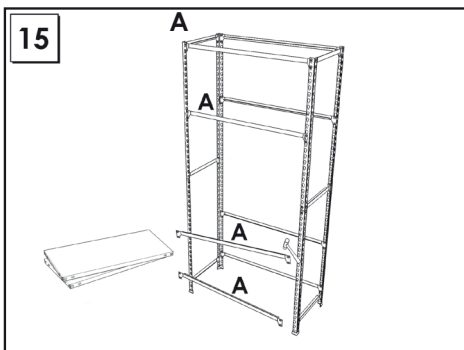
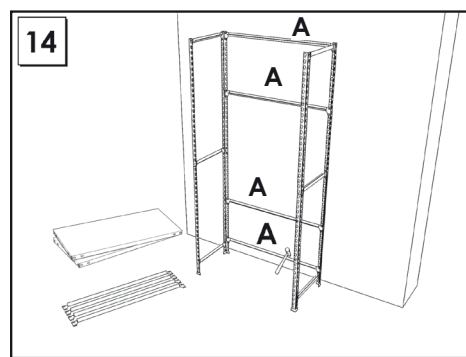
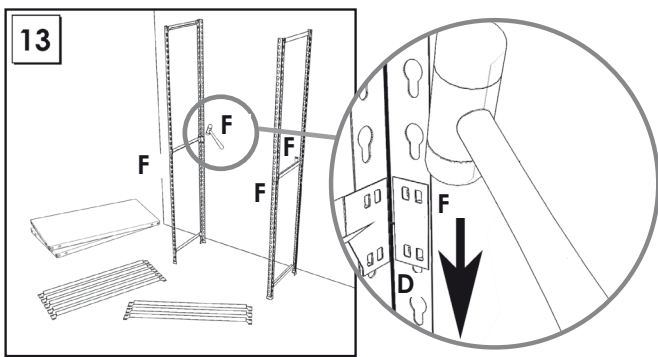
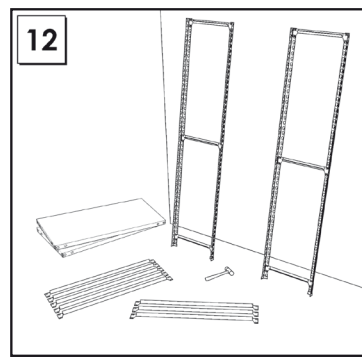
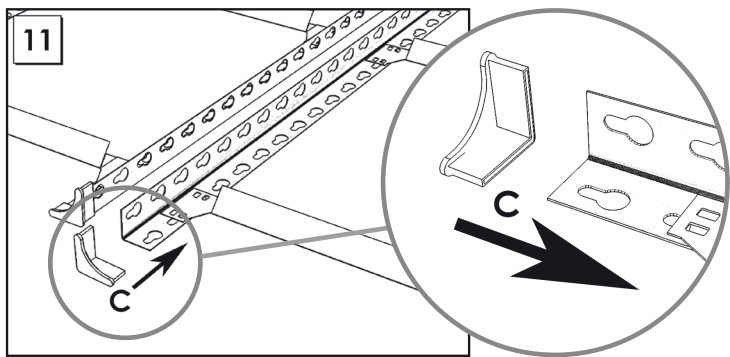
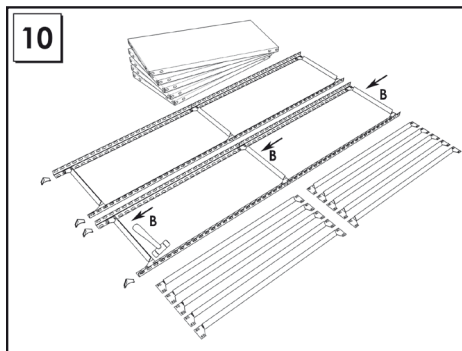
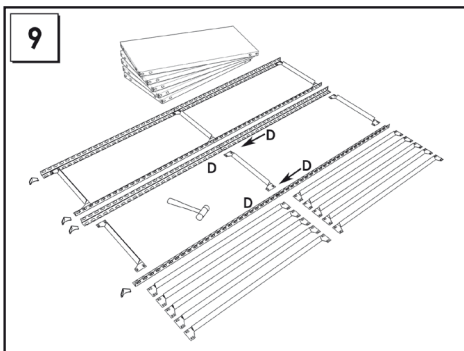
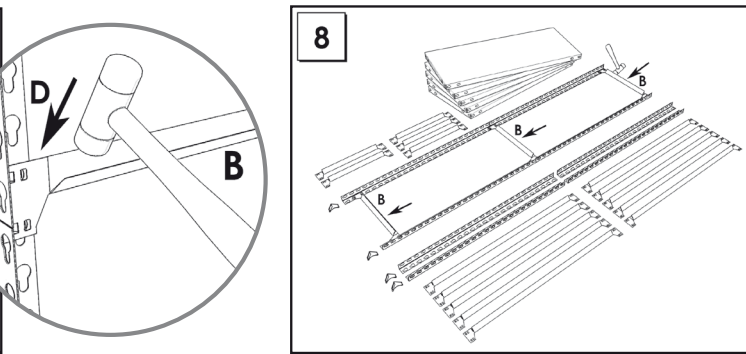
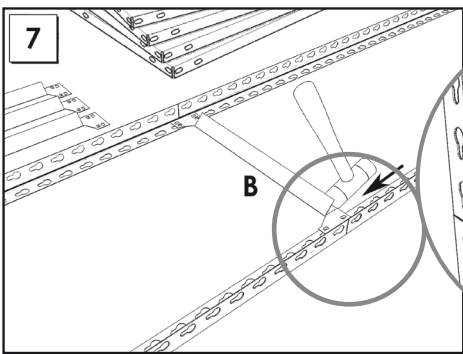
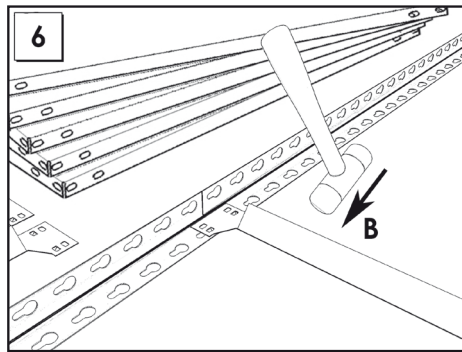
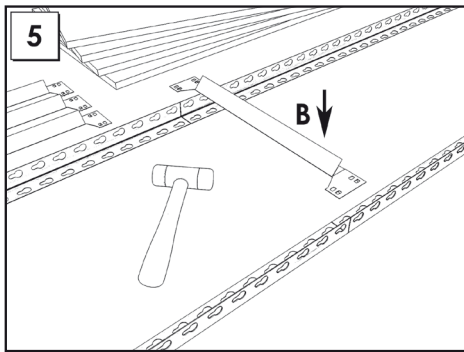
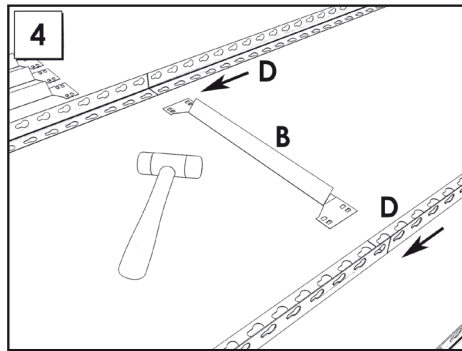
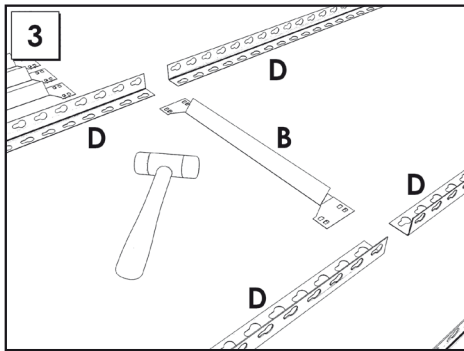
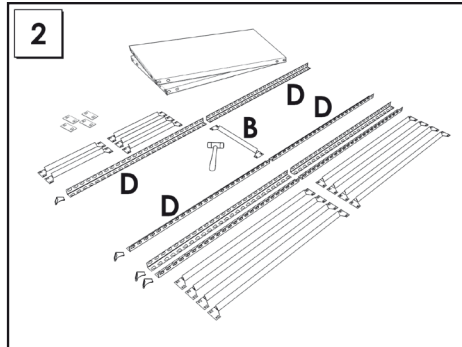
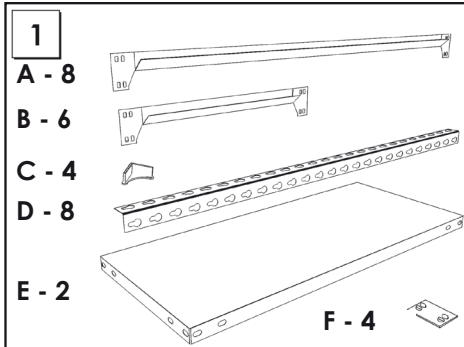


[www.simonrack.com](http://www.simonrack.com)



INSTRUCTIONS





On-line instructions: [www.instructionsrack.com/simongarage](http://www.instructionsrack.com/simongarage)

**SIMONCLASSIC**



**SIMONCLICK**



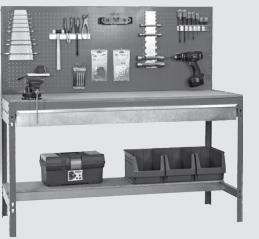
**SIMONOFFICE**



**SIMONTALLER**



**BANCOS DE TRABAJO WORK BENCHES**



**SIMONHOME**



**TAQUILLAS LOCKER**



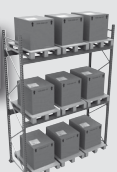
**SIMONTITÁN**



**SIMONINOX**



**SIMONPALET**



**SIMONLEVER**



**ALTILLOS Y PASILLOS ELEVADOS PLATFORMS AND MEZZANINES**

