

200x120x40 cm*

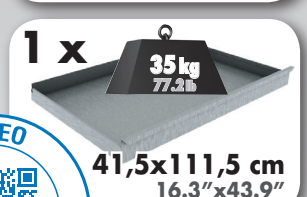
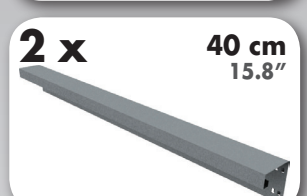
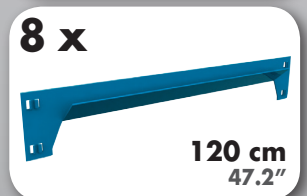
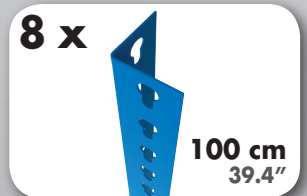
78.7" x 47.2" x 15.8"

KIT SIMONGARAGE BOX MegaPlus 4/400

5 years
SIMONRACK
GUARANTEE



720 kg
(1600 lb)
Total



*MEDIDAS EN USO: 1979 x 1211 x 410 mm
USED MEASUREMENTS: 77.91" x 47.68" x 16.14"



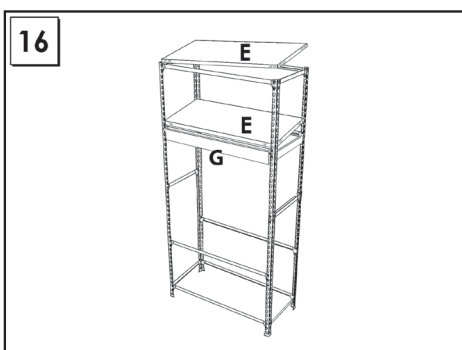
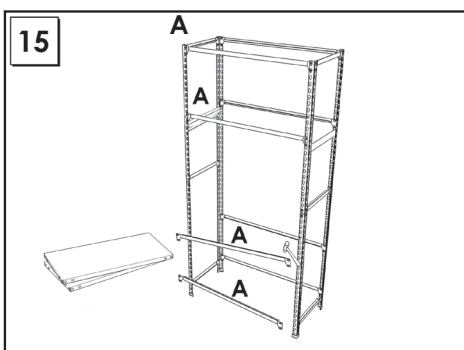
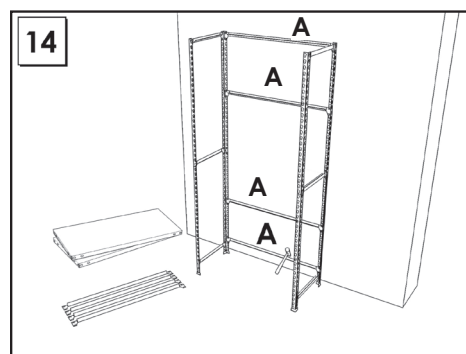
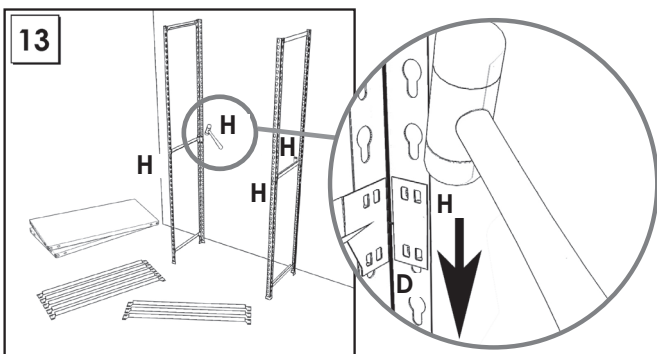
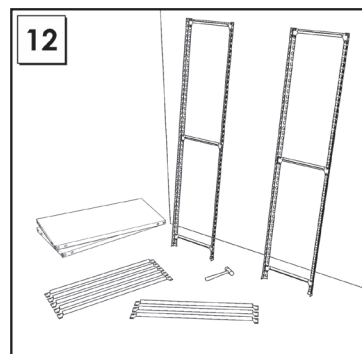
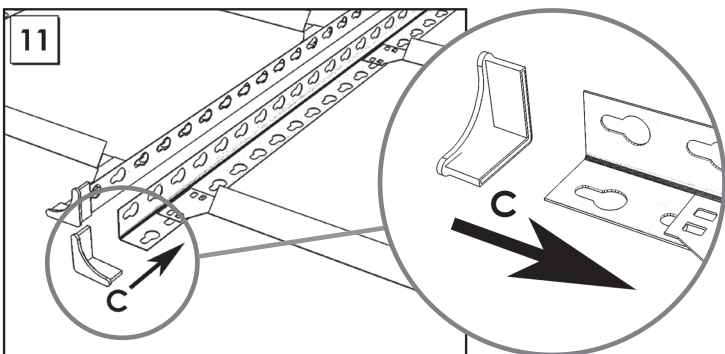
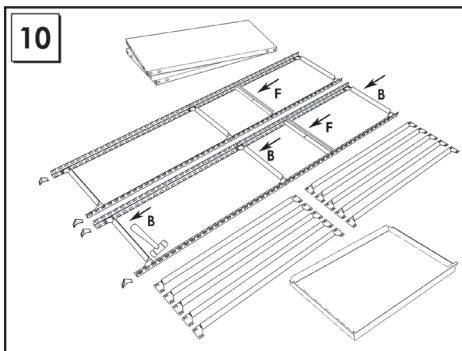
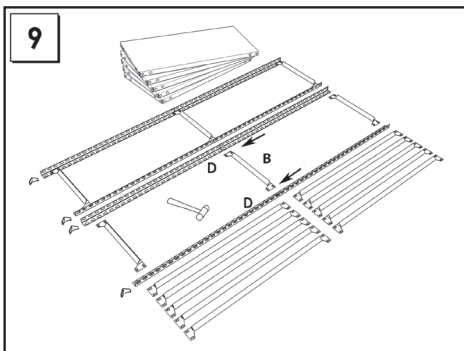
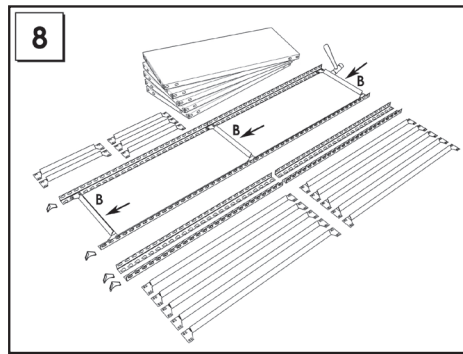
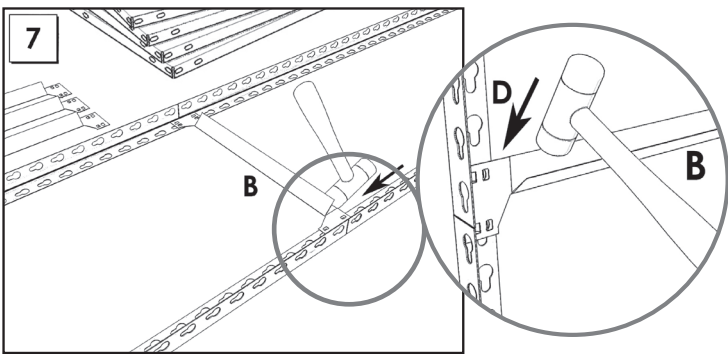
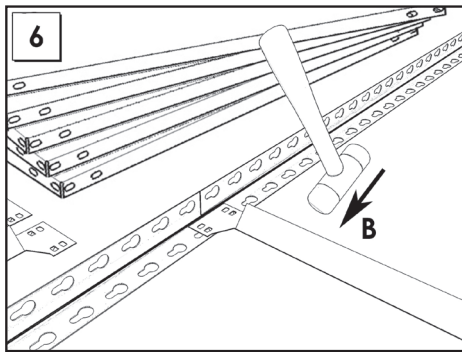
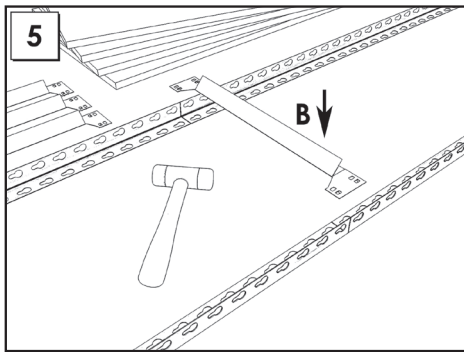
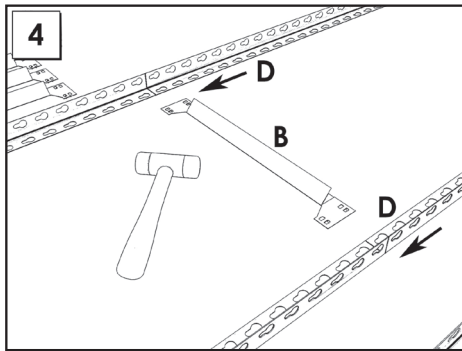
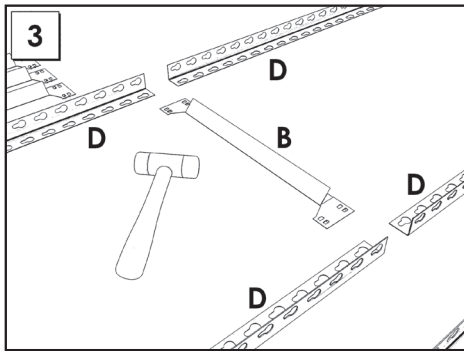
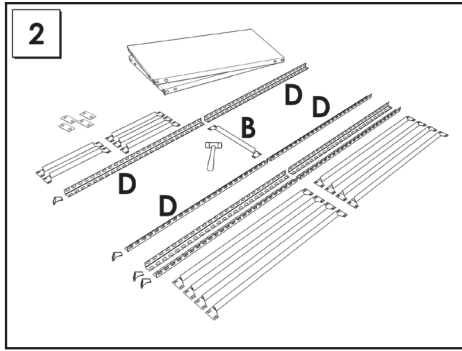
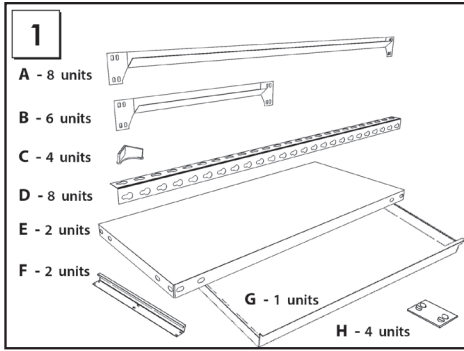
ESTANTERIAS SIMON S.L. B.50.556.463
PG. ALFAMEN C/ POLIGONO C. Nº3
ALFAMEN (ZARAGOZA)



www.simonrack.com



INSTRUCTIONS



On-line instructions: www.instructionsrack.com/simongaragebox

SIMONCLASSIC



SIMONCLICK



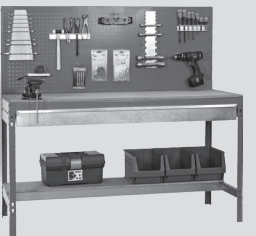
SIMONOFFICE



SIMONTALLER



BANCOS DE TRABAJO WORK BENCHES



SIMONHOME



TAQUILLAS LOCKER



SIMONTITÁN



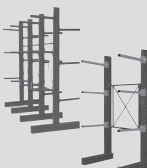
SIMONINOX



SIMONPALET



SIMONLEVER



ALTILLOS Y PASILLOS ELEVADOS PLATFORMS AND MEZZANINES

