

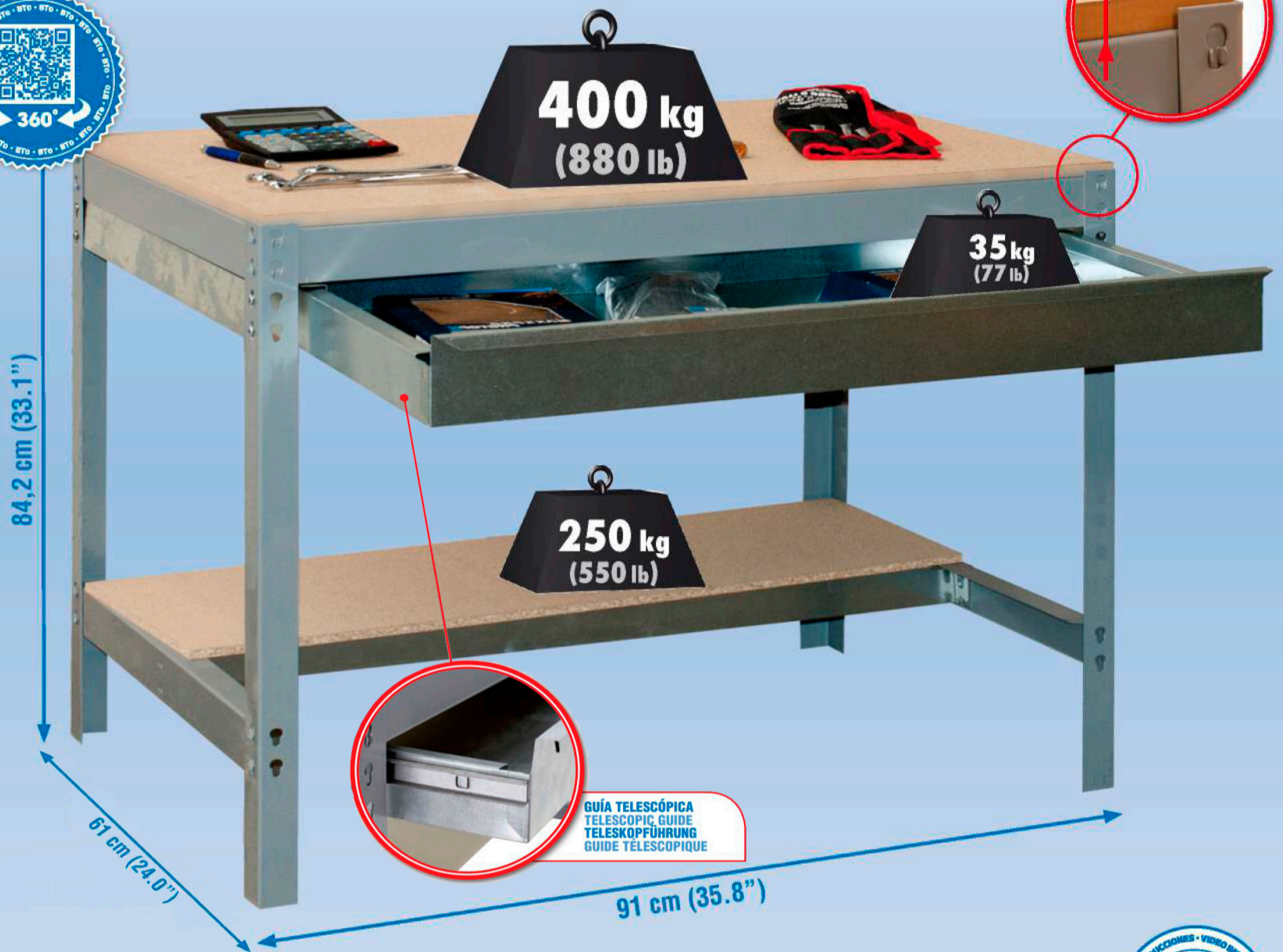
SIMONWORK BTO BOX 900



84,2 x 91 x 61 cm
33.1" x 35.8" x 24.0"



5 Años Garantía
 Years Guarantee
 Jahre Garantie
 Ans Garantie
SIMONRACK



GUÍA TELESCÓPICA
 TELESCOPIC GUIDE
 TELESKOPFÜHRUNG
 GUIDE TÉLESCOPIQUE



- 4 x 84 cm (33.1") L-shaped metal brackets
- 1 x MDF 60x90 cm (23.6"x35.4")
- 1 x 35x90 cm (13.8"x35.4")
- 3 x 90 cm (35.4") L-shaped metal brackets
- 4 x 60 cm (23.6") L-shaped metal brackets
- 1 x 90 cm (35.4") metal bar
- 2 x 58 cm (22.8") metal bar
- 1 x 35 kg (77.2 lb) weight
- 2 x 60 cm (23.6") L-shaped metal brackets



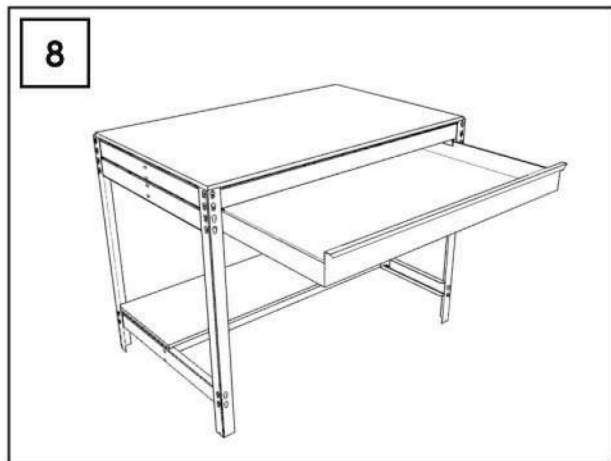
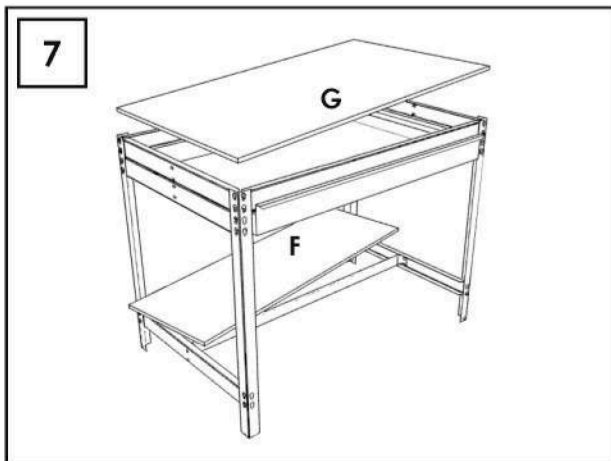
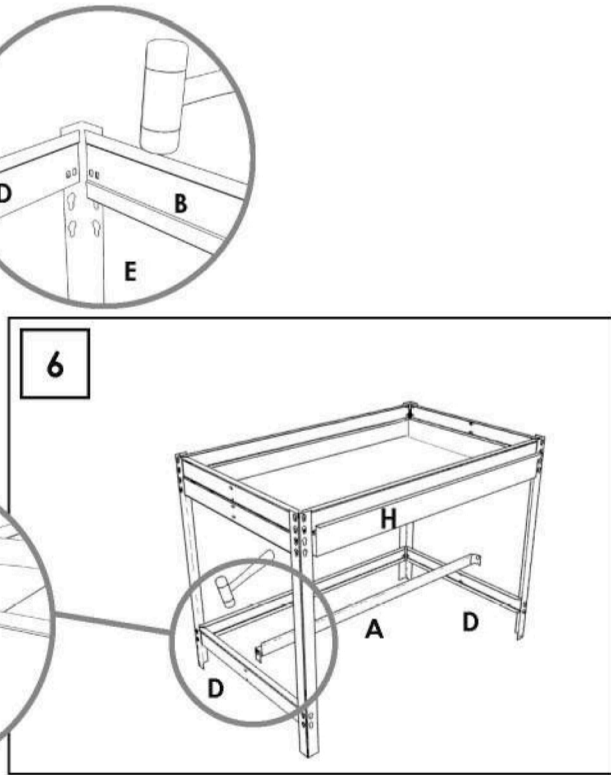
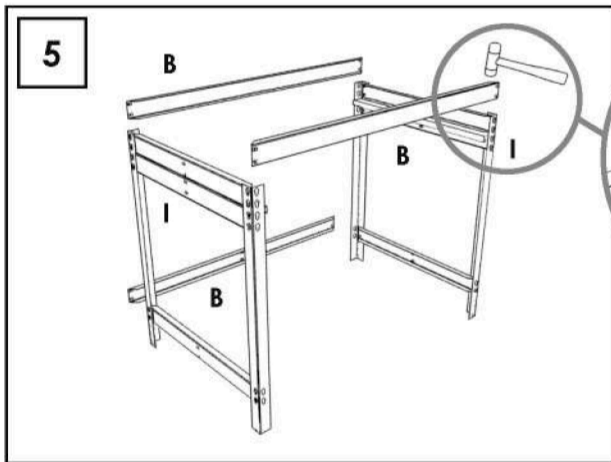
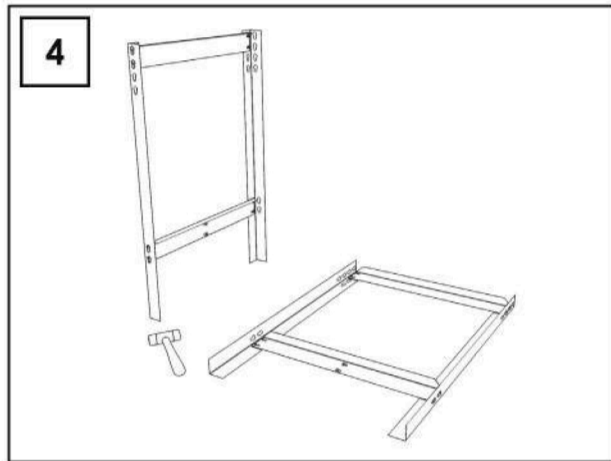
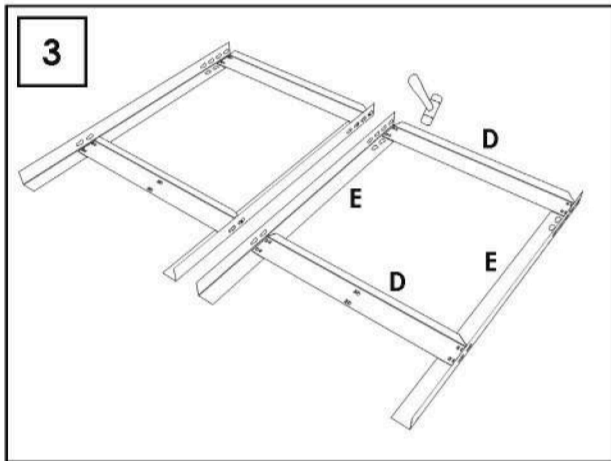
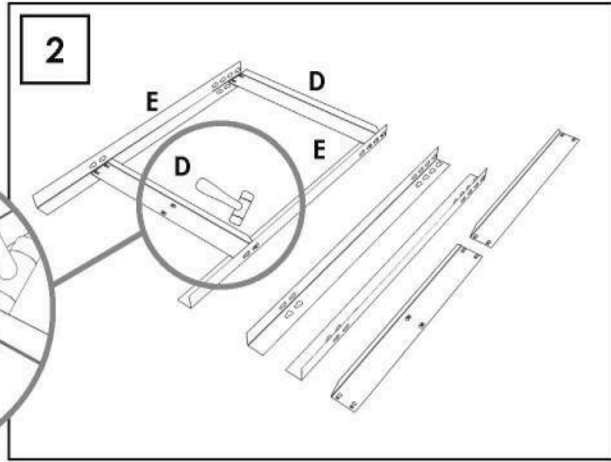
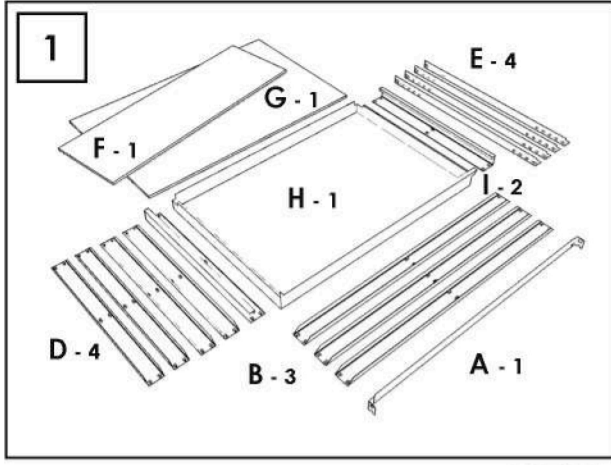
ESTANTERIAS SIMON S.L. B.50.556.463
 PG. ALFAMEN C/ POLIGONO C. Nº3
 ALFAMEN (ZARAGOZA)



www.simonrack.com



INSTRUCCIONES
 INSTRUCTIONS
 ANLEITUNG
 INSTRUCTIONS



SIMONCLASSIC



SIMONCLICK



SIMONTALLER



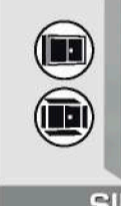
SIMONAUTO



SIMONWORK



SIMONLOCKER



SIMONOFFICE



SIMONHOME



SIMONGARDEN



SIMONTITÁN

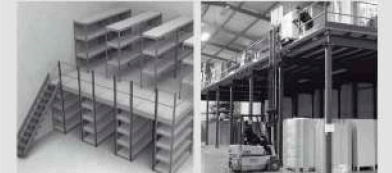
SIMONINOX



SIMONINDUSTRIAL



ALTILLOS Y PASILLOS ELEVADOS
PLATFORMS AND MEZZANINES
LAGERBÜHNEN • PLATES-FORMES ET MEZZANINES



* Kg / lb per bandeja con carga uniformemente repartida
Kg / lb per shelf uniformly distributed load
Kg / lb pro fach bei gleichmäßig verteilter last
Kg / lb par plateau avec charge uniformément répartie

www.simonrack.com • www.instructionsrack.com

