
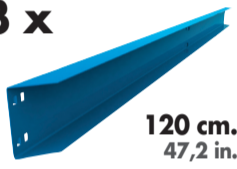
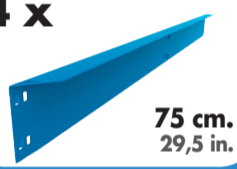
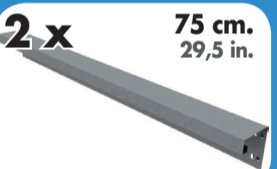
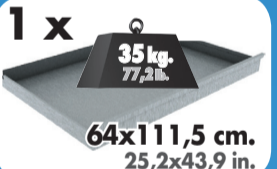


# KIT BT-3 BOX 1200

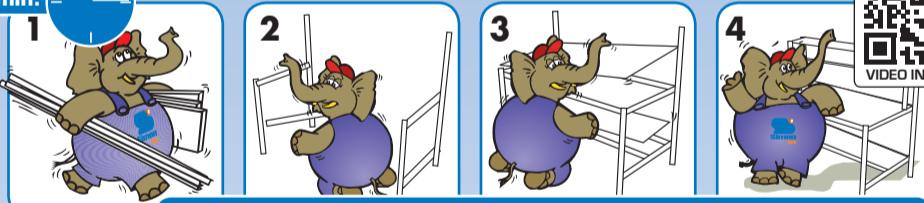


**84 x 120 x 75 cm.**  
**33,1 x 47,2 x 29,5 in.**



- 4 x**  **84 cm.**  
33,1 in.
- 1 x** **MDF** **75x120 cm.**  
29,5x47,2 in.
- 1 x** **MDF** **40x120 cm.**  
15,7x47,2 in.
- 3 x**  **120 cm.**  
47,2 in.
- 4 x**  **75 cm.**  
29,5 in.
- 1 x** **120 cm.**  
47,2 in.
- 1 x** **75 cm.**  
29,5 in.
- 2 x**  **75 cm.**  
29,5 in.
- 1 x**  **35 kg.**  
77,2 lb.  
**64x111,5 cm.**  
25,2x43,9 in.

6 min.

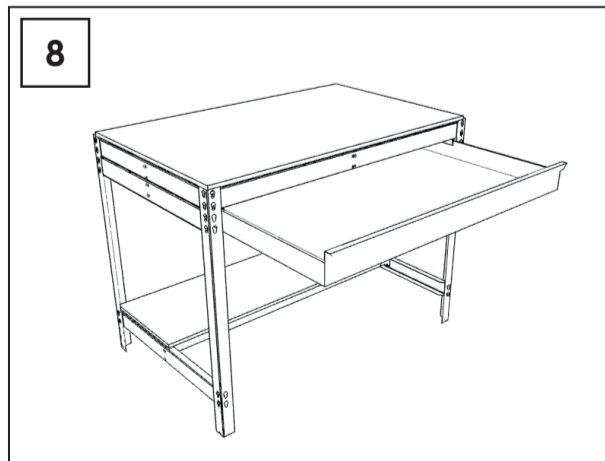
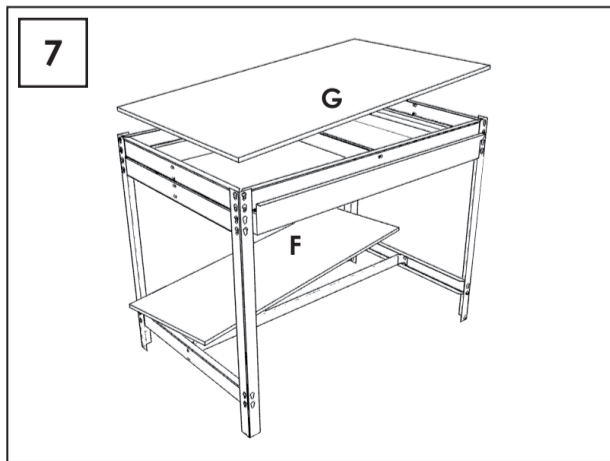
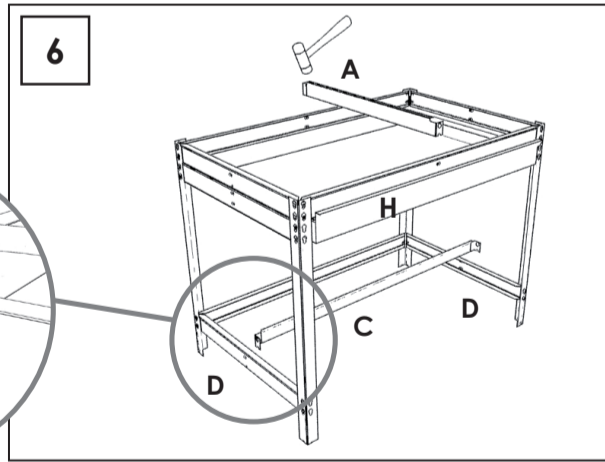
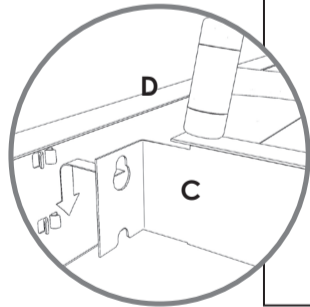
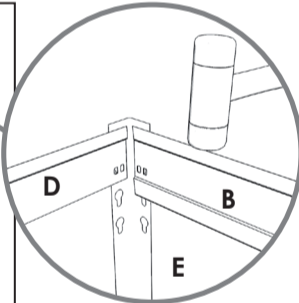
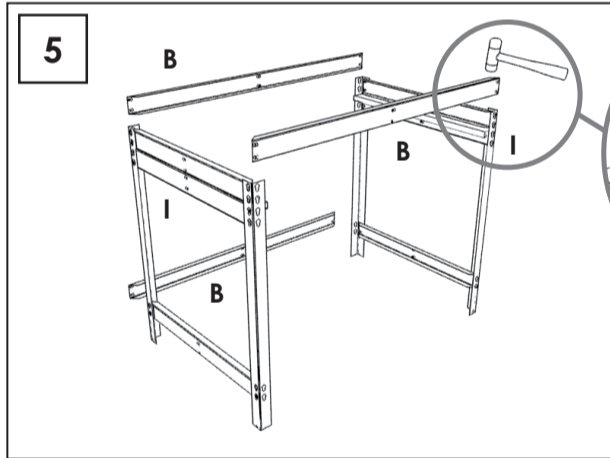
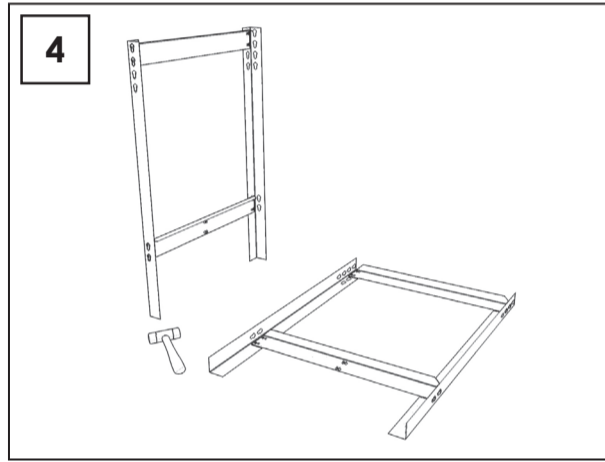
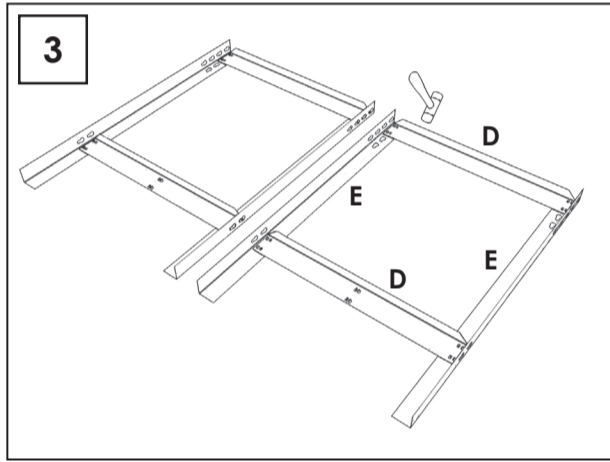
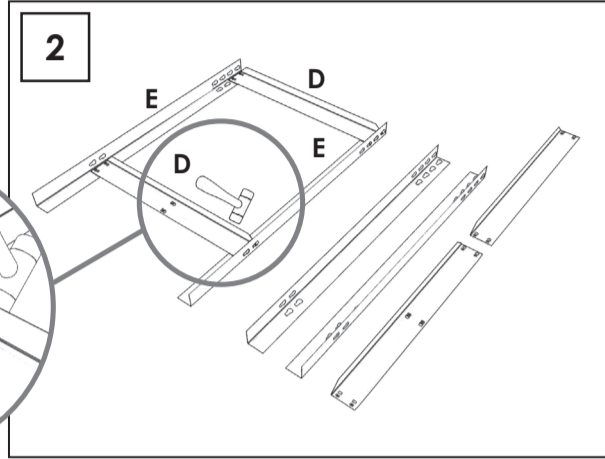
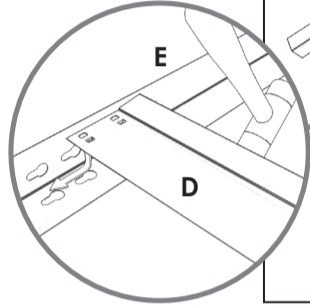
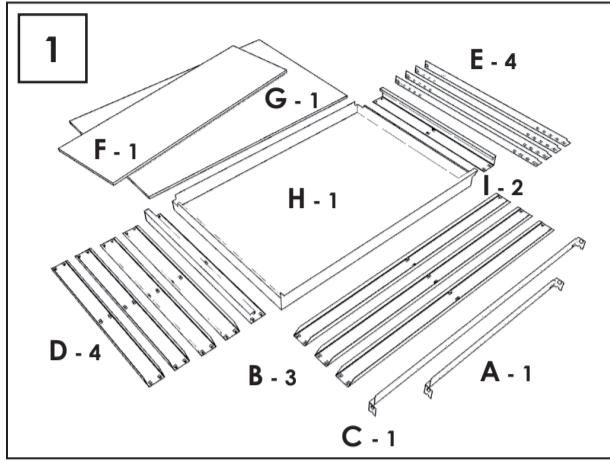


On-line instructions: [www.instructionsrack.com/bt3box](http://www.instructionsrack.com/bt3box)



[www.simonrack.com](http://www.simonrack.com) **MADE IN SPAIN**





On-line instructions: [www.instructionsrack.com/bt3box](http://www.instructionsrack.com/bt3box)

**SIMONCLASSIC**



**SIMONCLICK**



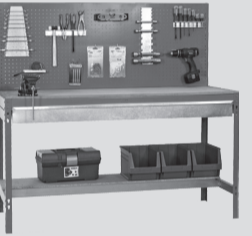
**SIMONOFFICE**



**SIMONTALLER**



**BANCOS DE TRABAJO**



**SIMONHOME**



**TAQUILLAS**



**SIMONTITÁN**



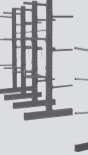
**SIMONINOX**



**SIMONPALET**



**SIMONLEVER**



**ALTILLOS Y PASILLOS ELEVADOS**

