

200x100x40 cm*

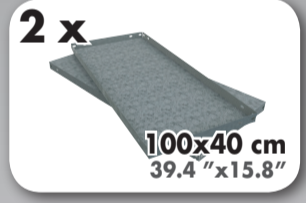
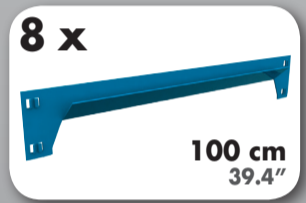
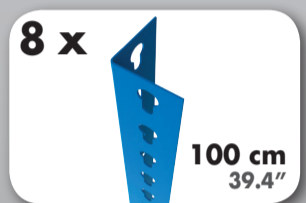
78.7" x 39.4" x 15.8"

KIT SIMONGARAGE Plus 4/400

5 years
SIMONRACK
GUARANTEE



800 kg
(1764 lb)
Total



*MEDIDAS EN USO: 1979 x 1011 x 410 mm
USED MEASUREMENTS: 77.91" x 39.80" x 16.14"



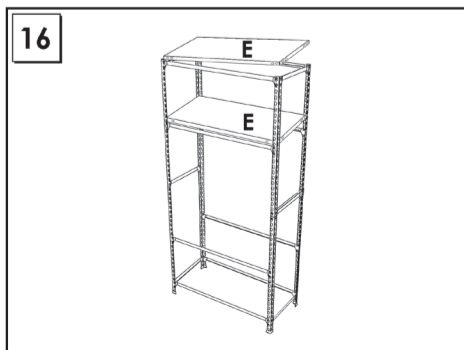
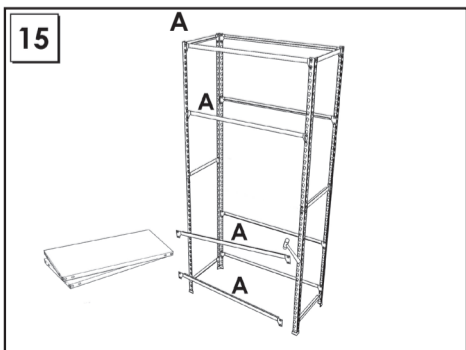
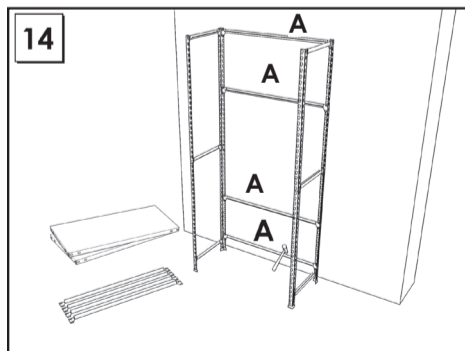
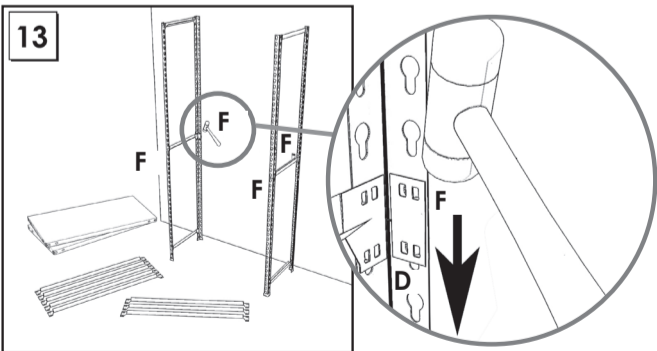
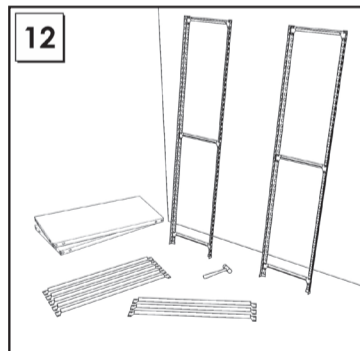
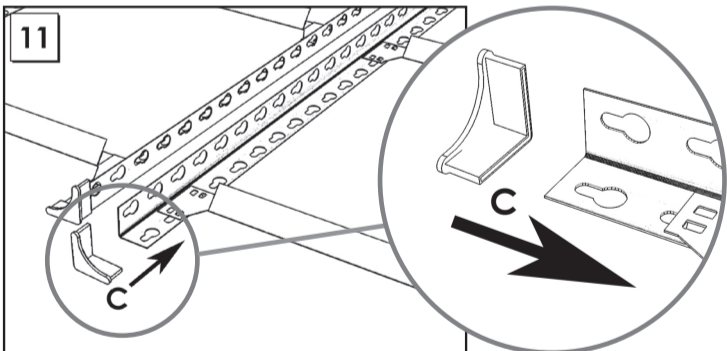
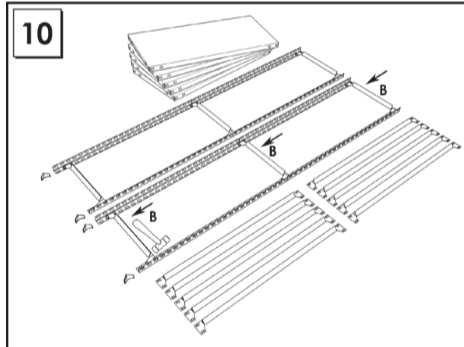
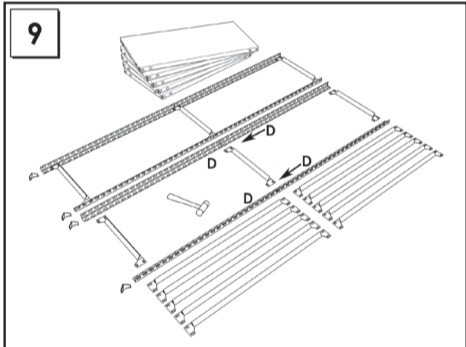
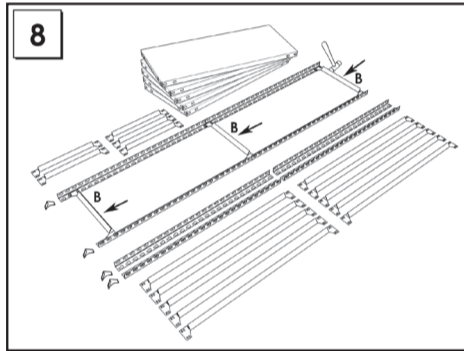
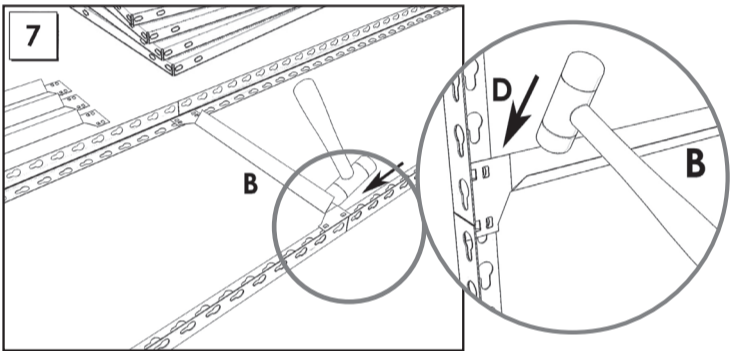
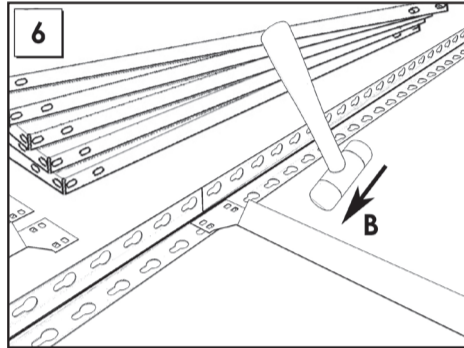
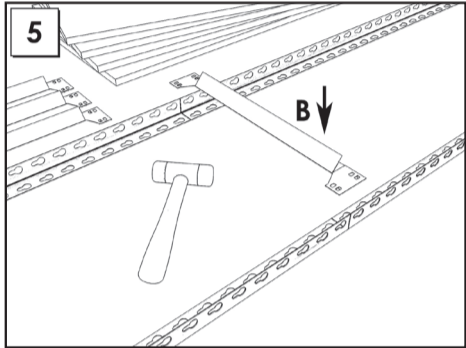
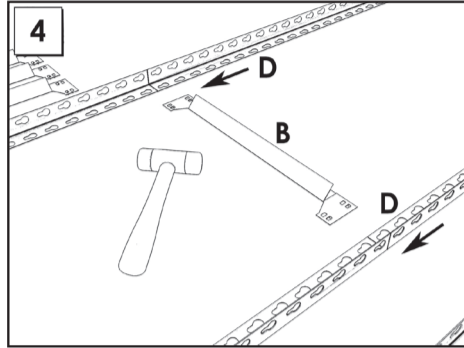
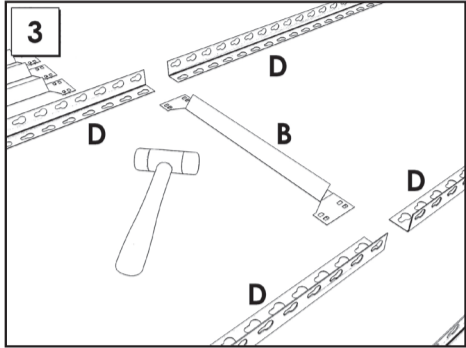
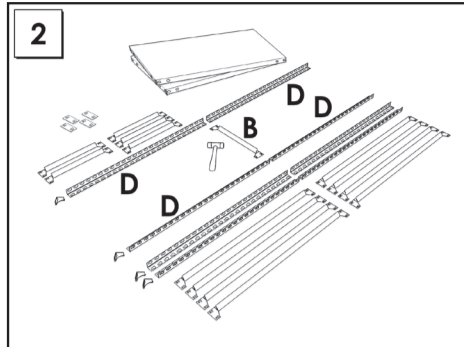
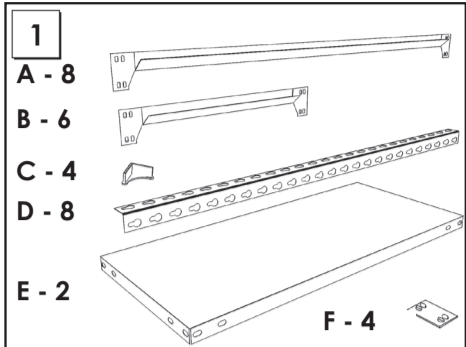
ESTANTERIAS SIMON S.L. B.50.556.463
PG. ALFAMEN C/ POLIGONO C. Nº3
ALFAMEN (ZARAGOZA)



www.simonrack.com



INSTRUCTIONS



On-line instructions: www.instructionsrack.com/simongarage

SIMONCLASSIC

BOLTS SYSTEM



Up to: **150 Kg**
 (331 lb)
 Kg./Shelf
 Uniformly Distributed Load



SIMONCLICK

NO BOLTS SYSTEM



Up to: **400 Kg**
 (882 lb)
 Kg./Shelf
 Uniformly Distributed Load



SIMONOFFICE

NO BOLTS SYSTEM



Up to: **275 Kg**
 (606 lb)
 Kg./Shelf
 Uniformly Distributed Load



SIMONTALLER

NO BOLTS SYSTEM

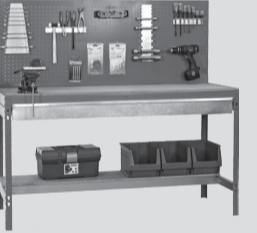


Up to: **700 Kg**
 (1543 lb)
 Kg./Shelf
 Uniformly Distributed Load



**BANCOS DE TRABAJO
 WORK BENCHES**

Up to: **800 Kg**
 (1764 lb)
 Kg./Shelf
 Uniformly Distributed Load



SIMONHOME

Up to: **150 Kg**
 (331 lb)
 Kg./Shelf
 Uniformly Distributed Load



**TAQUILLAS
 LOCKER**



SIMONTITÁN

NO BOLTS SYSTEM



Up to: **900 Kg**
 (1982 lb)
 Kg./Shelf
 Uniformly Distributed Load



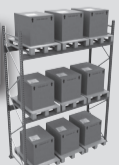
SIMONINOX

NO BOLTS SYSTEM

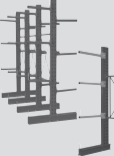



SIMONPALET

Up to: **4500 Kg**
 (9921 lb)
 Kg./Shelf
 Uniformly Distributed Load



SIMONLEVER



**ALTILLOS Y PASILLOS ELEVADOS
 PLATFORMS AND MEZZANINES**



www.simonrack.com • www.simonrack.com • www.simonrack.com