

90 x 80 x 30 cm*

35.4" x 31.5" x 11.8"

SIMONCLICK MINI 3/300

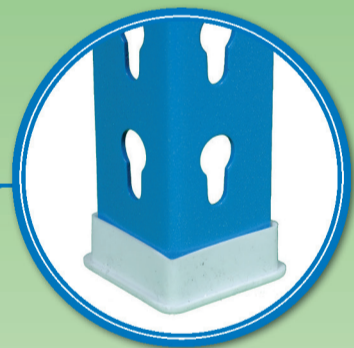
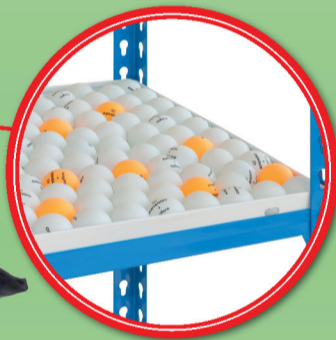
5 Años Garantía
Years Guarantee
Jahre Garantie
Ans Garantie
SIMONRACK



90 cm (35.4")



540 kg
(1200 lb)
Total



*MEDIDAS EN USO • USED MEASUREMENTS
MASSNAHMEN IM EINSATZ • MESURES EN EMPLOI:
881 x 811 x 310 mm (34.68" x 31.93" x 12.20")



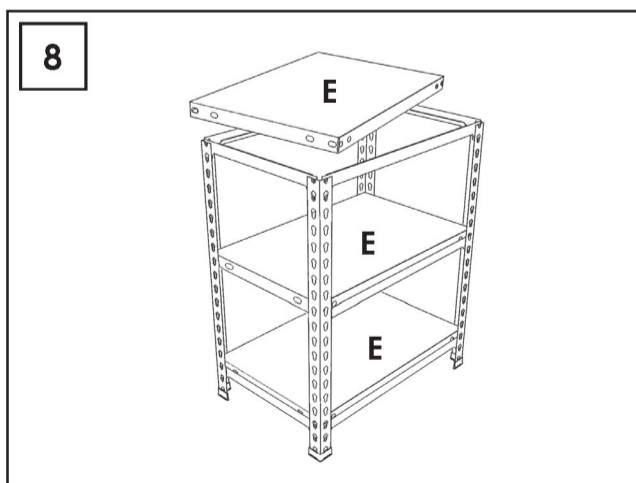
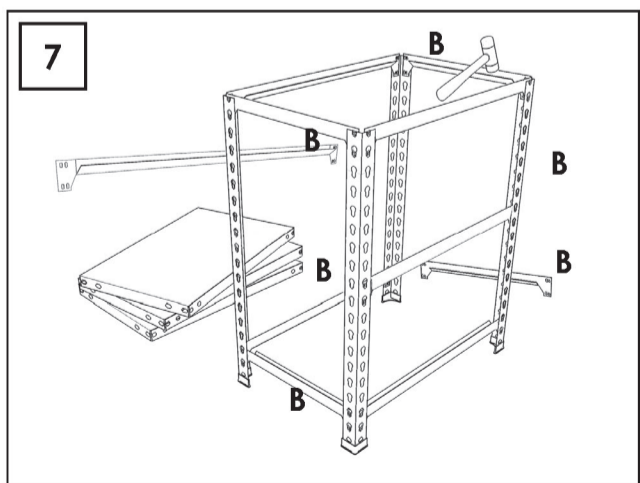
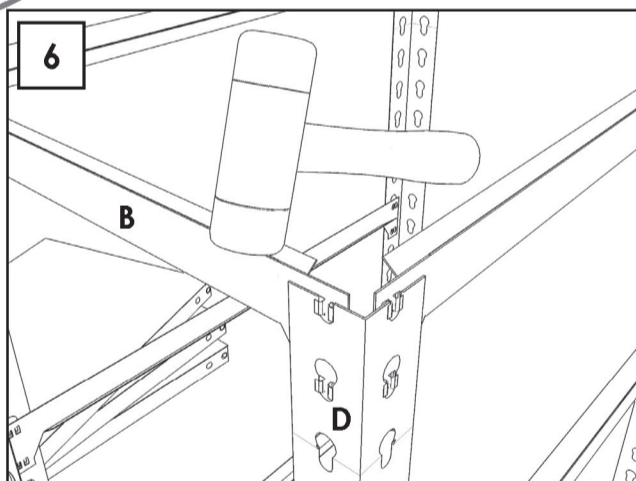
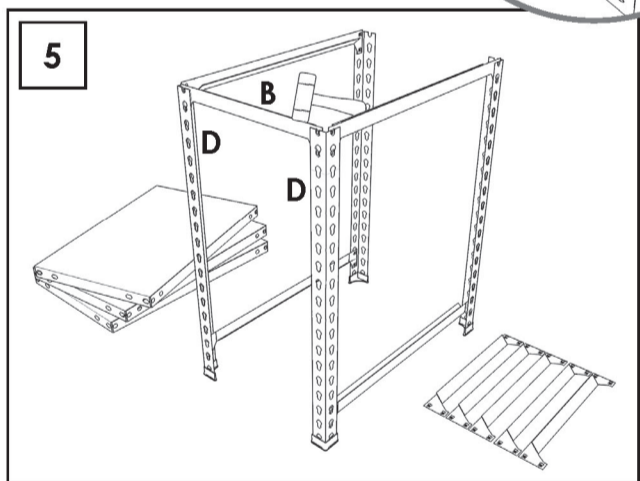
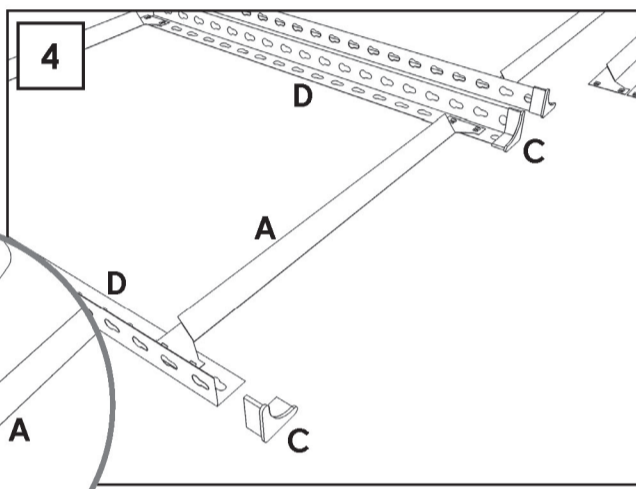
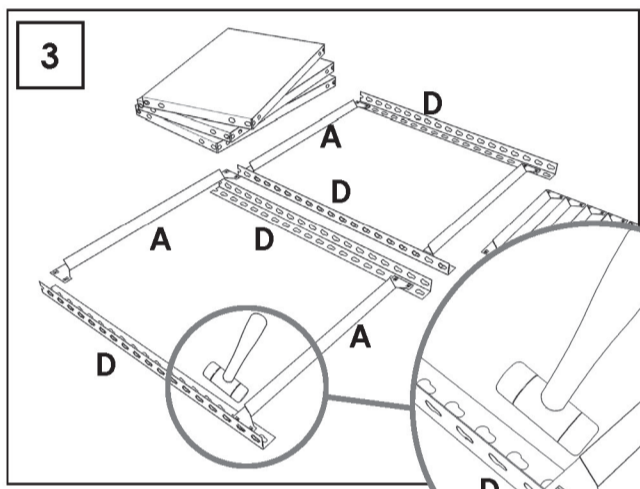
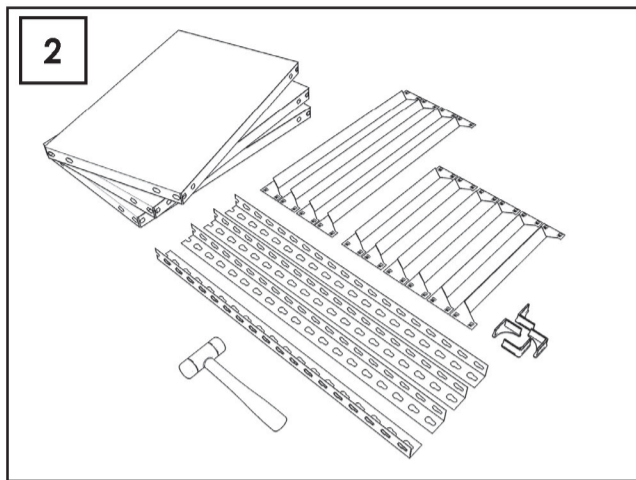
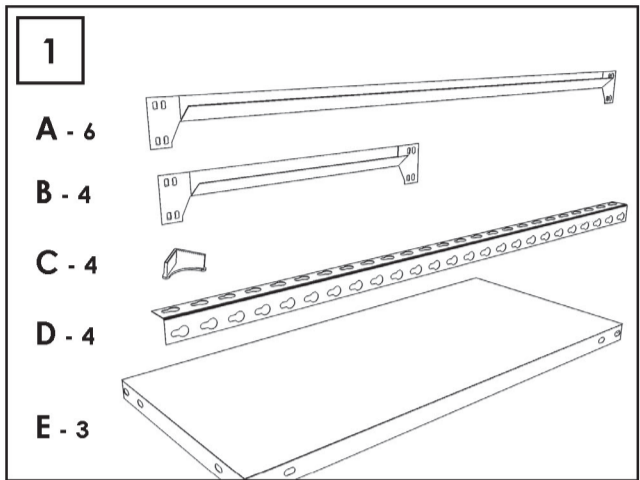
ESTANTERIAS SIMON S.L. B.50.556.463
PG. ALFAMEN C/ POLIGONO C, Nº3
ALFAMEN (ZARAGOZA)



www.simonrack.com



INSTRUCCIONES
INSTRUCTIONS
ANLEITUNG
INSTRUCTIONS



SIMONCLASSIC

150 kg
330 lb

SIMONCLICK

400 kg
900 lb

SIMONTALLER

700 kg
1550 lb

SIMONAUTO

300 kg
660 lb

SIMONWORK

800 kg
1800 lb

SIMONLOCKER

SIMONOFFICE

275 kg
600 lb

SIMONHOME

150 kg
330 lb

SIMONGARDEN

600 kg
1350 lb

SIMONTITÁN **SIMONINOX**

900 kg
1990 lb

SIMONINDUSTRIAL

SIMONPALET **SIMONLEVER**

4500 kg
9950 lb

ALTILLOS Y PASILLOS ELEVADOS
PLATFORMS AND MEZZANINES
LAGERBÜHNEN • PLATES-FORMES ET MEZZANINES

www.simonrack.com • www.simonrack.com • www.simonrack.com • www.simonrack.com • www.simonrack.com • www.simonrack.com • www.simonrack.com • www.simonrack.com • www.simonrack.com • www.simonrack.com

* Kg / lb por bandeja con carga uniformemente repartida
Kg / lb per shelf uniformly distributed load
Kg / lb pro fach bei gleichmäßig verteilter last
Kg / lb par plateau avec charge uniformément répartie