

90 x 90 x 40 cm*

35.4" x 35.4" x 15.8"

SIMONCLICK 3/400

5 Años Garantía
Years Guarantee
Jahre Garantie
Ans Garantie
SIMONRACK



90 cm (35.4")

40 cm (15.8")

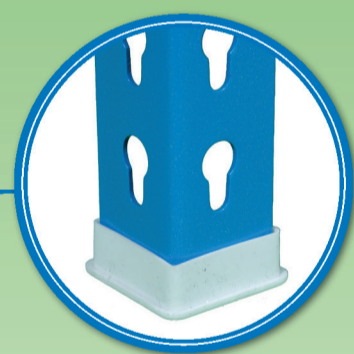
90 cm (35.4")

540 kg
(1200 lb)
Total

180 kg
(400 lb)

180 kg
(400 lb)

180 kg
(400 lb)



*MEDIDAS EN USO • USED MEASUREMENTS
MASSNAHMEN IM EINSATZ • MESURES EN EMPLOI:
881 x 911 x 410 mm (34.68" x 35.87" x 16.14")



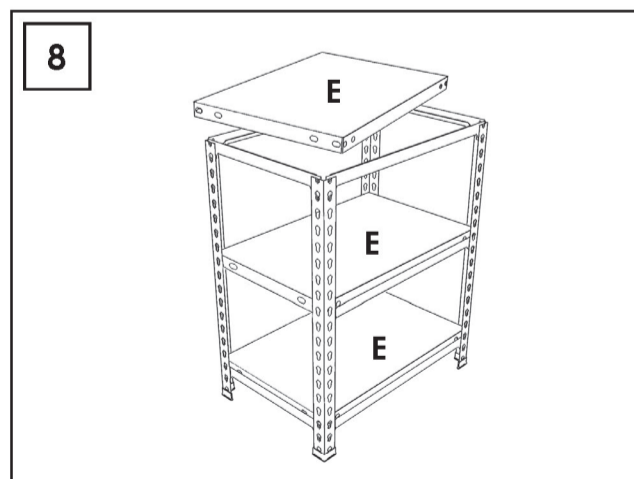
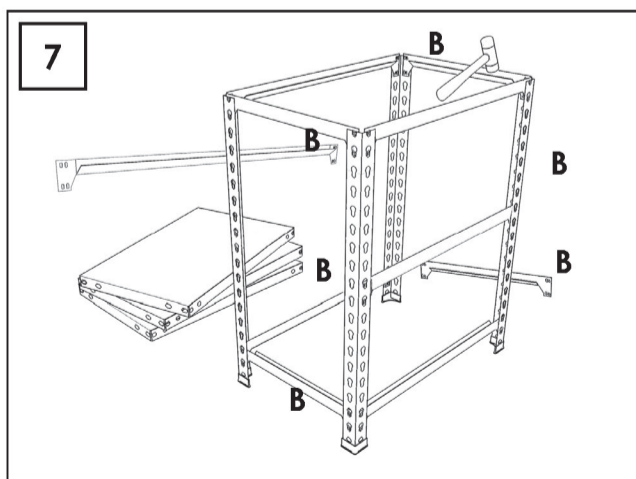
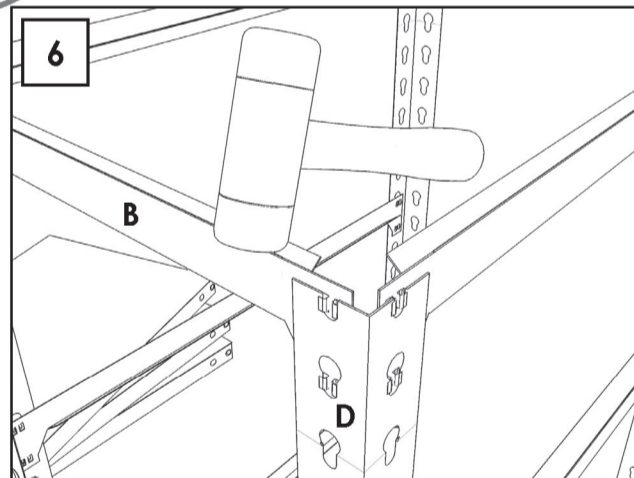
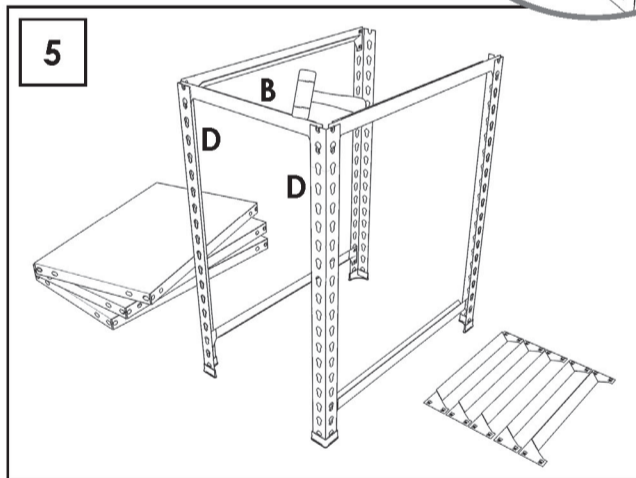
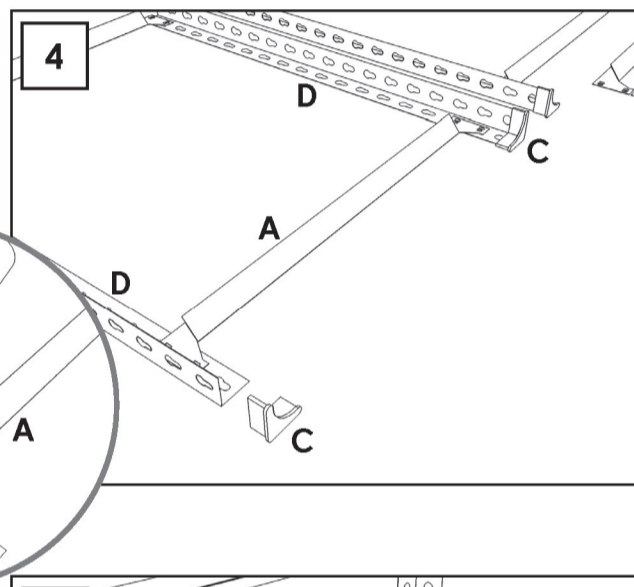
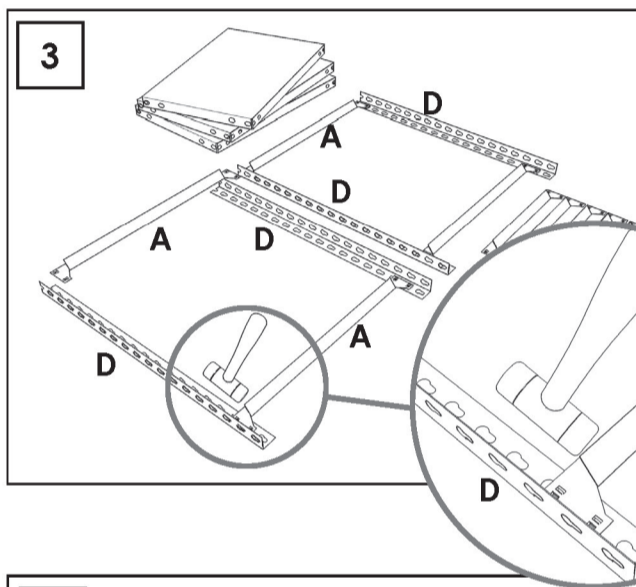
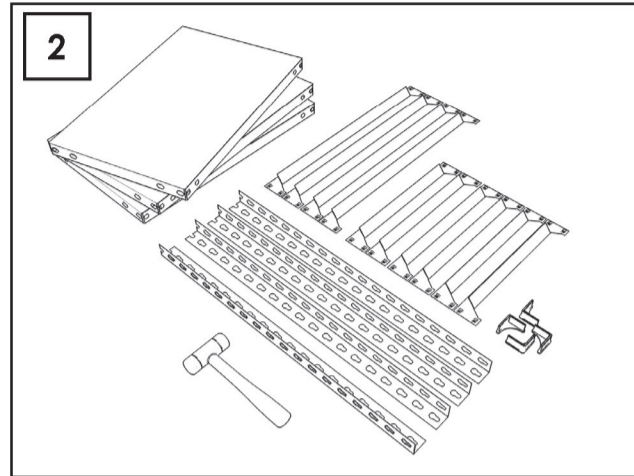
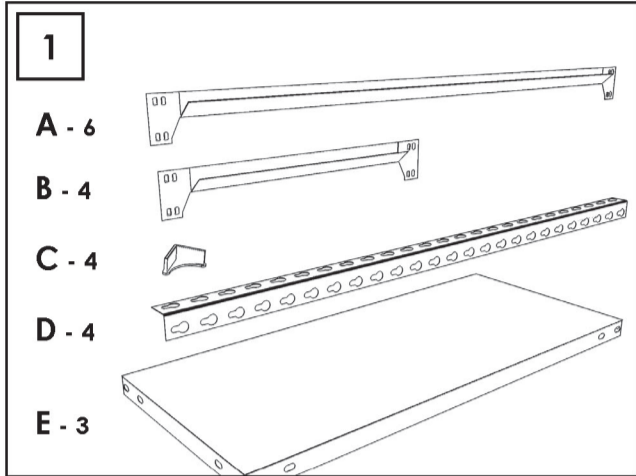
ESTANTERIAS SIMON S.L. B.50.556.463
PG. ALFAMEN C/ POLIGONO C, Nº3
ALFAMEN (ZARAGOZA)



www.simonrack.com



INSTRUCCIONES
INSTRUCTIONS
ANLEITUNG
INSTRUCTIONS



SIMONCLASSIC



SIMONCLICK



SIMONTALLER



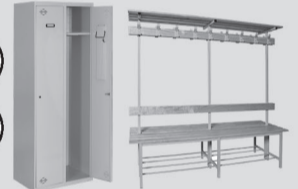
SIMONAUTO



SIMONWORK



SIMONLOCKER



SIMONOFFICE



SIMONHOME



SIMONGARDEN



SIMONTITÁN



SIMONINOX



SIMONINDUSTRIAL

SIMONPALET



SIMONLEVER



ALTILLOS Y PASILLOS ELEVADOS
PLATFORMS AND MEZZANINES
LAGERBÜHNEN • PLATES-FORMES ET MEZZANINES

