

# 100 x 90 x 30 cm

## 39.4" x 35.4" x 11.8"

### Kit Officlick 3/300



ESTANTERIAS SIMON S.L. B.50.556.463  
PG. ALFAMEN C/ POLIGONO C, N°3  
ALFAMEN (ZARAGOZA)



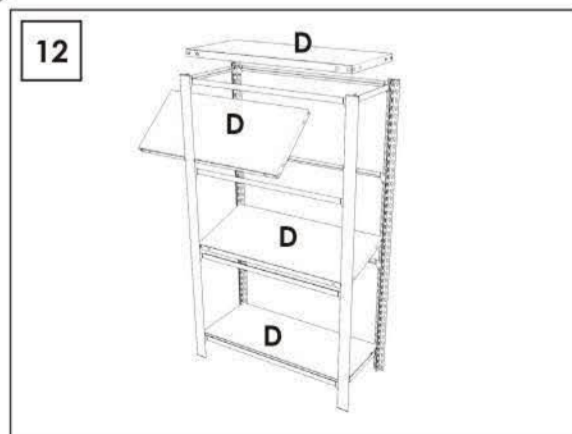
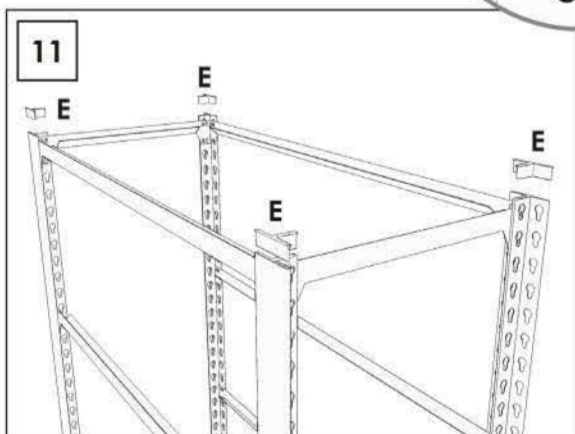
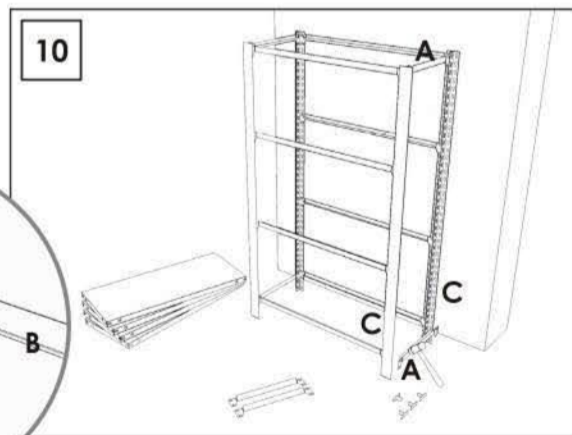
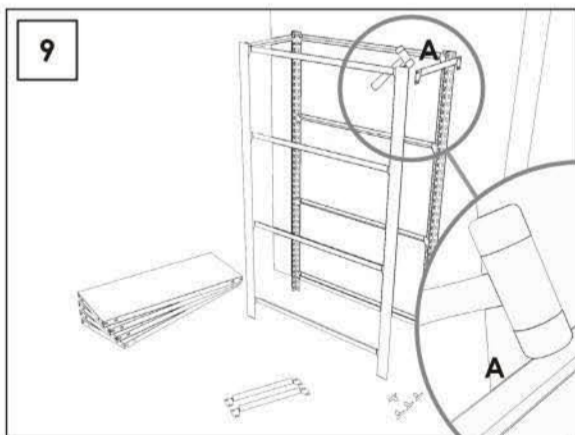
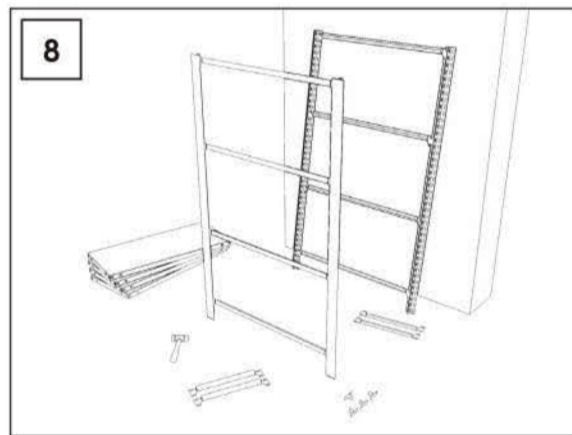
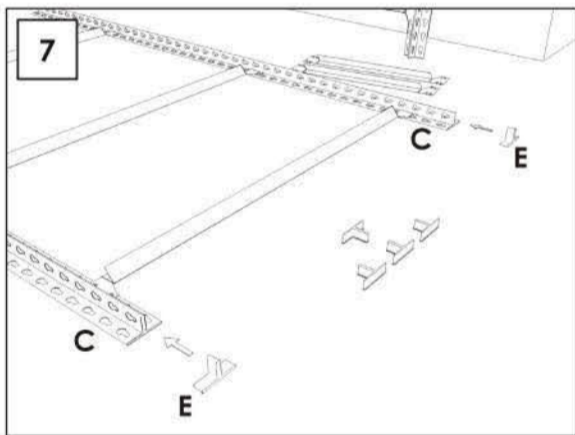
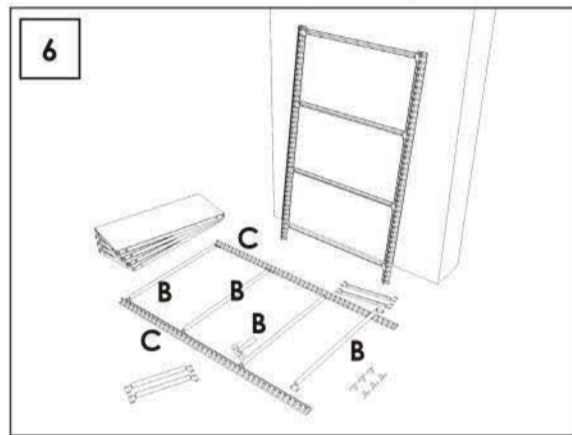
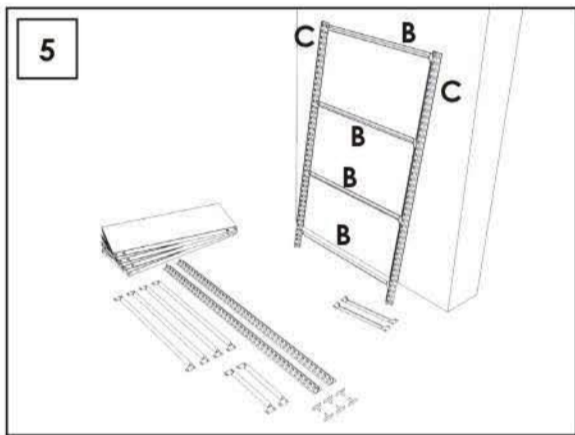
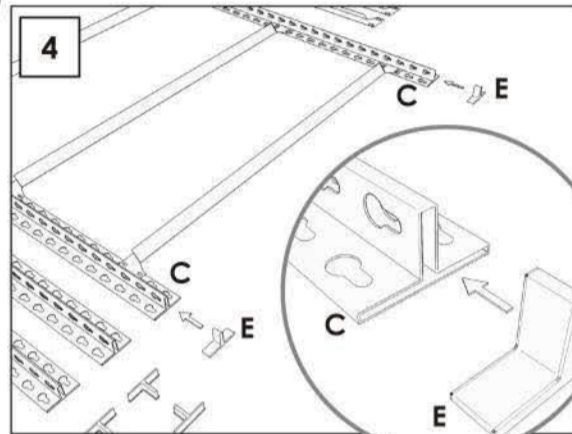
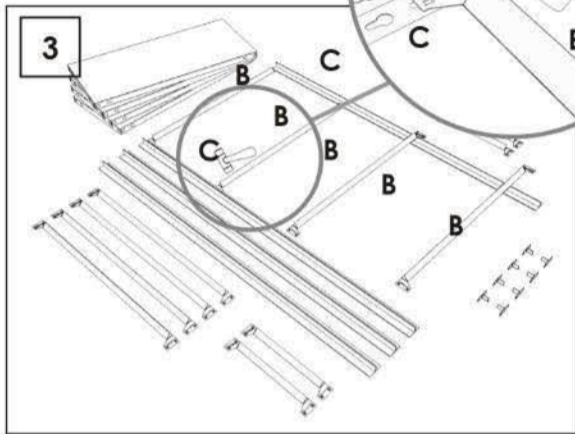
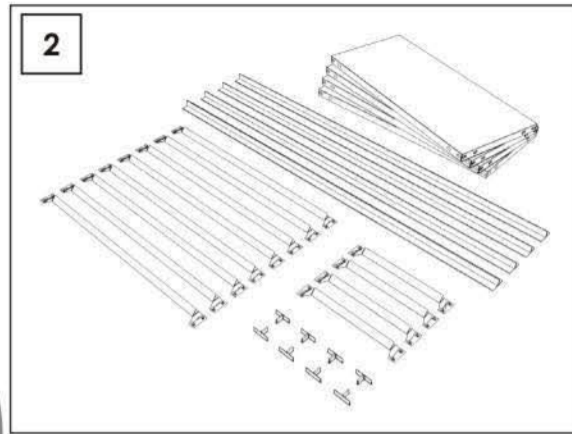
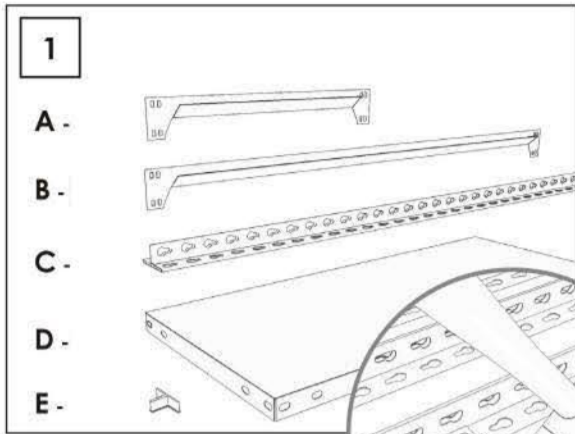
[www.simonrack.com](http://www.simonrack.com)



INSTRUCTIONS



# standard mounting



## SIMONCLASSIC



## SIMONCLICK



## SIMONOFFICE



## SIMONTALLER



## BANCOS DE TRABAJO WORK BENCHES



## SIMONHOME



## TAQUILLAS LOCKER



## SIMONTITÁN



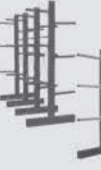
## SIMONINOX



## SIMONPALET



## SIMONLEVER



## ALTILLOS Y PASILLOS ELEVADOS PLATFORMS AND MEZZANINES

