

200 x 90 x 30 cm*

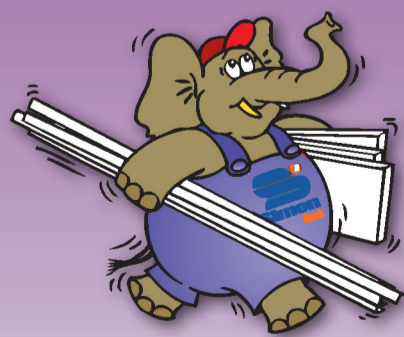
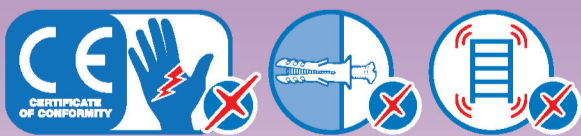
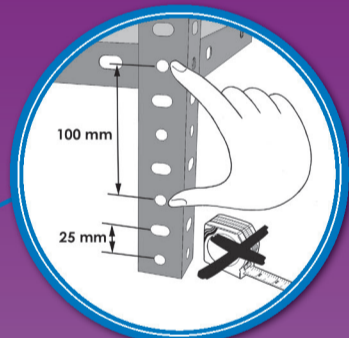
78.7" x 35.4" x 11.8"

ADVANTAGE 6/300

5 Años Garantía
Years Guarantee
Jahre Garantie
Ans Garantie
SIMONRACK



**450 kg
(1000 lb)
Total**



*MEDIDAS EN USO: 2003 x 914 x 314 mm
USED MEASUREMENTS: 78.86" x 35.98" x 12.36"



ESTANTERIAS SIMON S.L. B.50.556.463
PG. ALFAMEN C/ POLIGONO C, Nº3
ALFAMEN (ZARAGOZA)



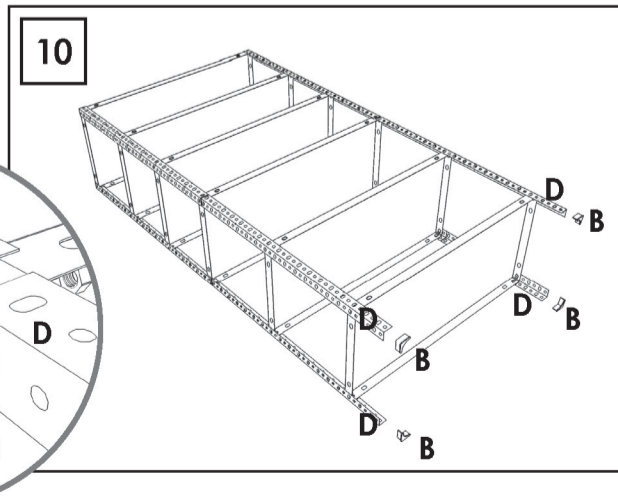
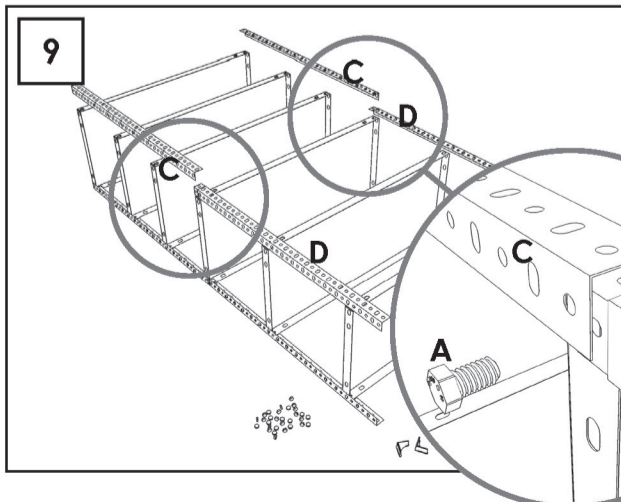
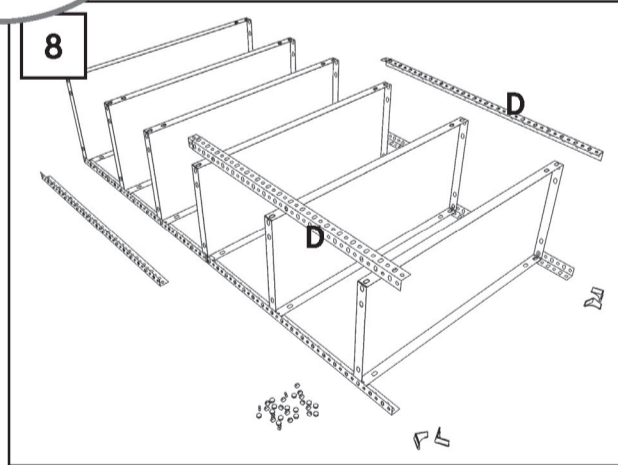
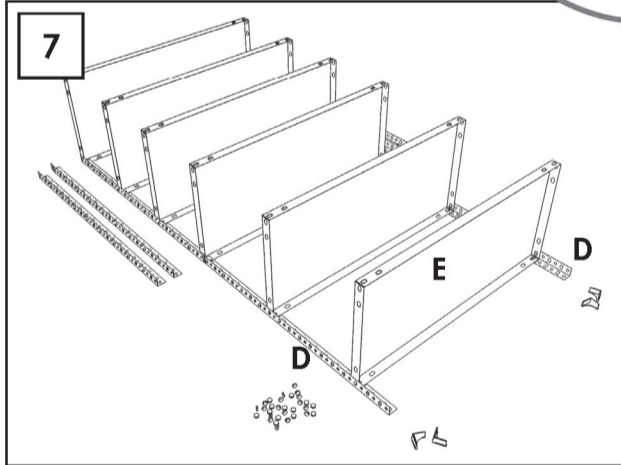
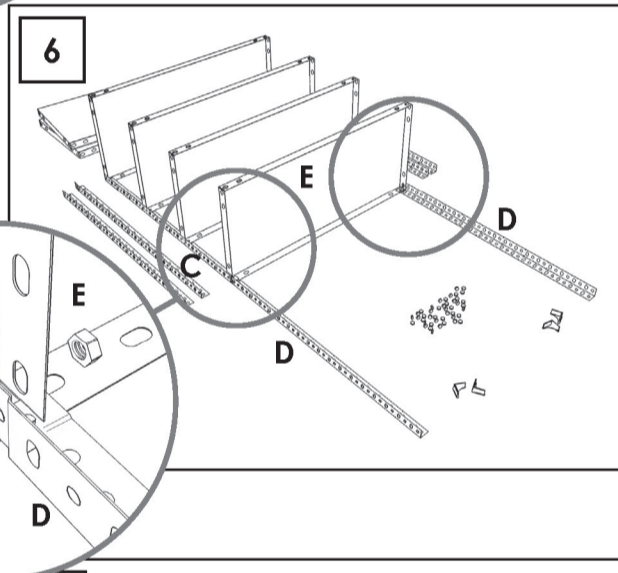
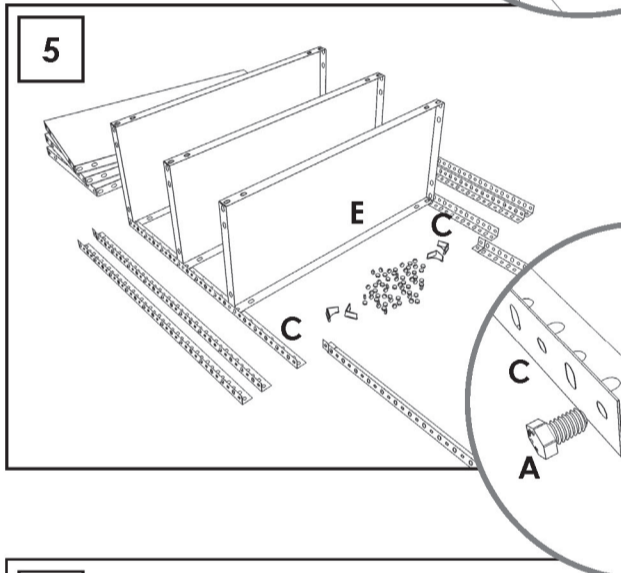
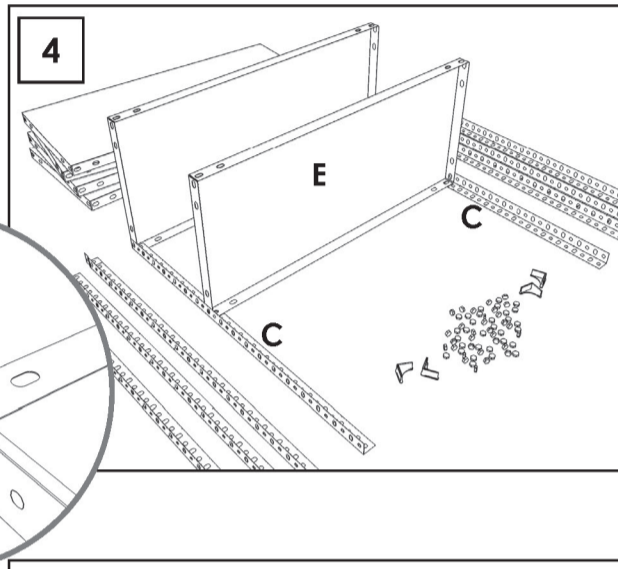
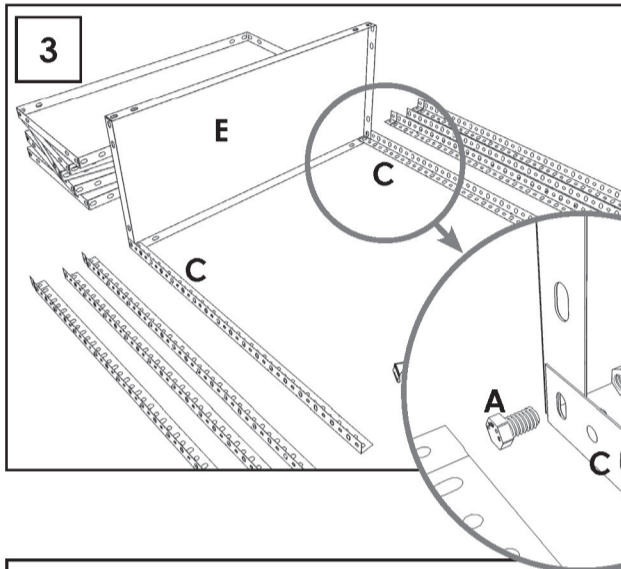
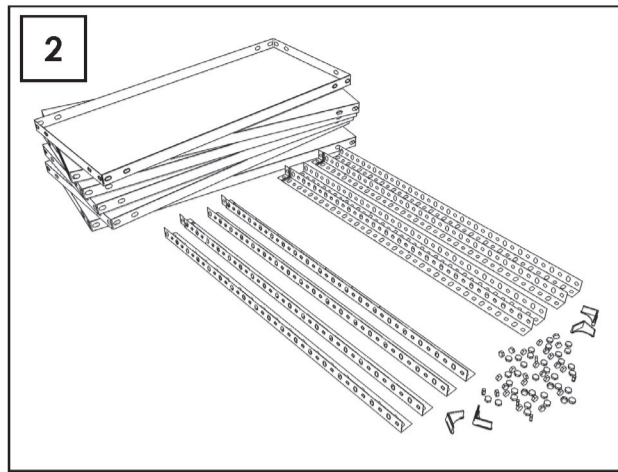
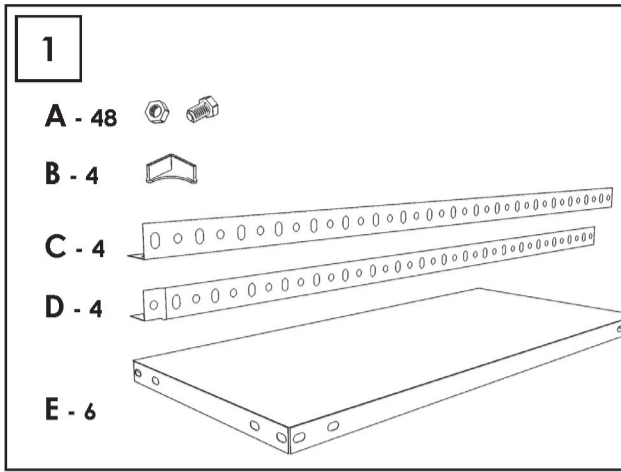
www.simonrack.com

Simon Rack
SINCE 1964 - MANUFACTURER



Management System
ISO 9001:2015
www.tuv.com
ID 810044225

INSTRUCCIONES
INSTRUCTIONS
ANLEITUNG
INSTRUCTIONS



SIMONCLASSIC



SIMONCLICK



SIMONTALLER



SIMONAUTO



SIMONWORK



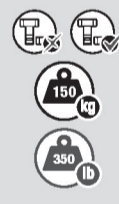
SIMONLOCKER



SIMONOFFICE



SIMONHOME



SIMONGARDEN



SIMONTITÁN



SIMONINOX



SIMONINDUSTRIAL

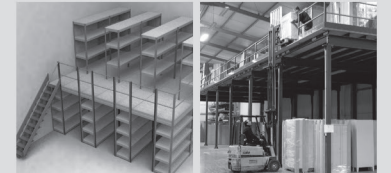
SIMONPALET



SIMONLEVER



ALTILLOS Y PASILLOS ELEVADOS
PLATFORMS AND MEZZANINES
LAGERBÜHNEN • PLATES-FORMES ET MEZZANINES



* Kg / lb por bandeja con carga uniformemente repartida
Kg / lb per shelf uniformly distributed load
Kg / lb pro fach bei gleichmäßig verteilter last
Kg / lb par plateau avec charge uniformément répartie

