

SIMONWORK BT1 BOX 1500

mobile



Simon Rack
SINCE 1964 - MANUFACTURER

152 x 151 x 76 cm
59.8" x 59.4" x 29.9"

5 Años Garantía
Years Guarantee
Jahre Garantie
Ans Garantie
Anos de Garantía
SIMONRACK



- 2 x 144 cm (56.7")
- 2 x 84 cm (33.1")
- 1 x 60x150 cm (23.6" x 59.1")
- 1 x 40x150 cm (15.7" x 59.1")
- 4 x 76 (29.9")
- 4 x 150 cm (59.1")
- 6 x 9,5x19 cm (3.7" x 7.5")
- 1 x 150 cm (47.2")
- 1 x 75 cm (23.6")
- 3 x 120x20 cm (47.2" x 7.9")
- 8 x
- 2 x 60 cm (23.6")
- 2 x 58 cm (22.8")
- 1 x 35 kg (80 lb)
- 56x150 cm (22.0" x 59.1")
- 12 x
- 2 x
- 2 x



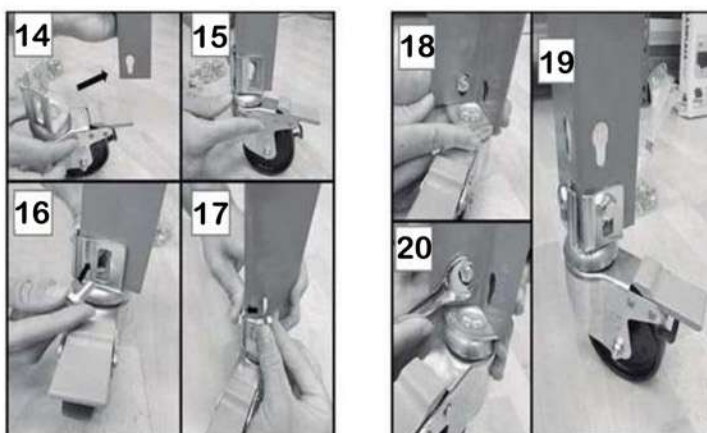
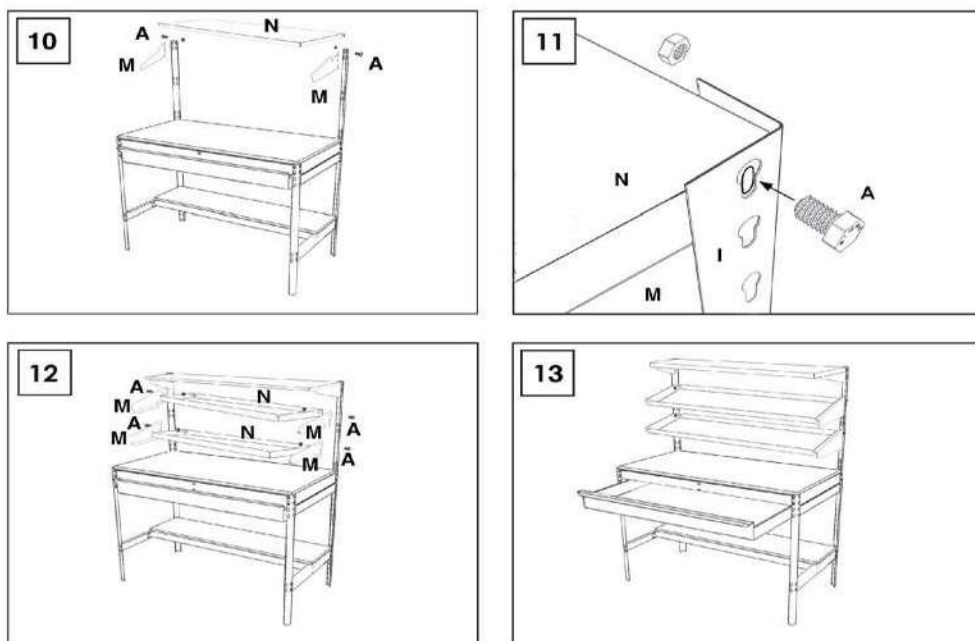
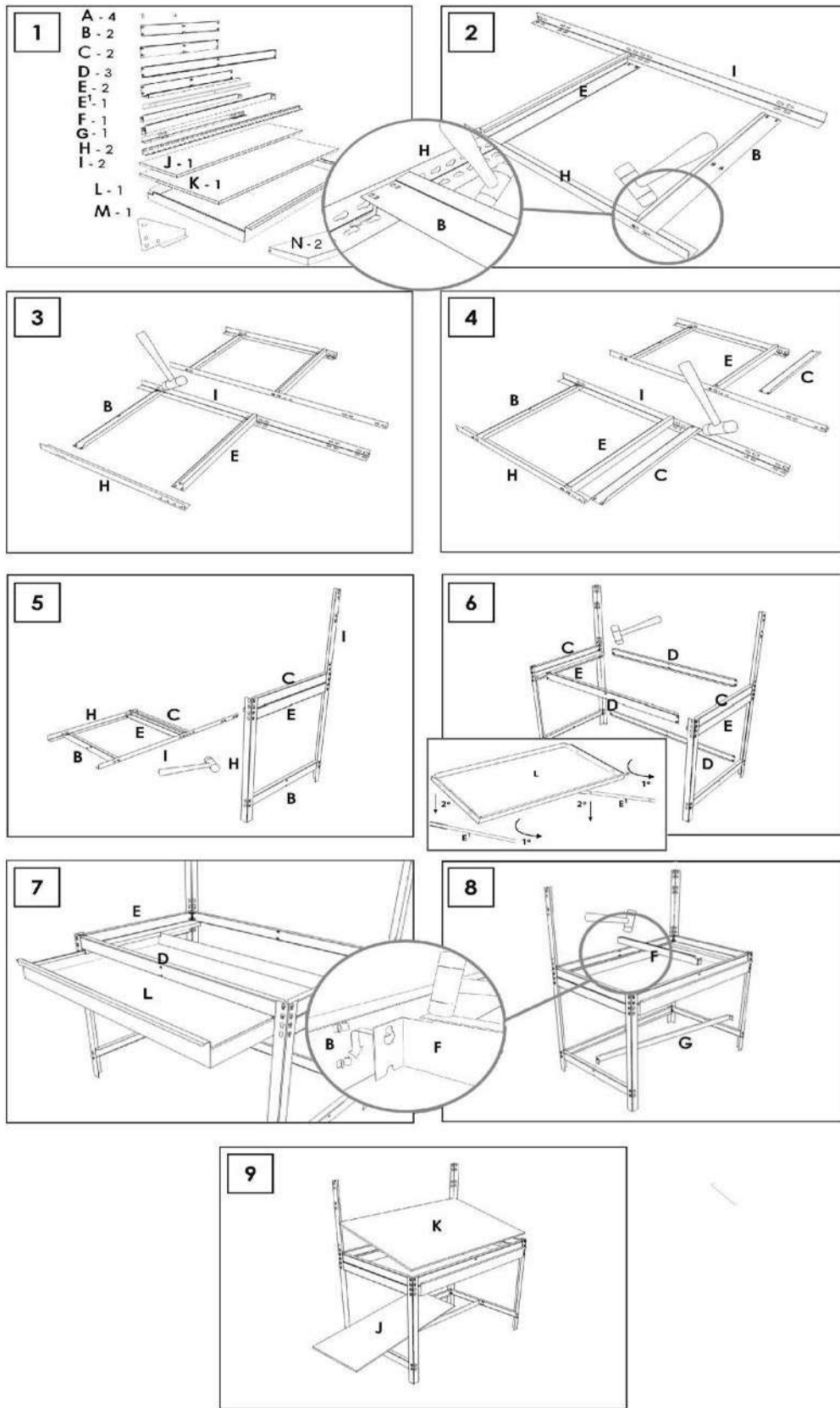
ESTANTERIAS SIMON S.L. B.50.556.463
PG. ALFAMEN C/ POLIGONO C. Nº3
ALFAMEN (ZARAGOZA)



www.simonrack.com



INSTRUCCIONES
INSTRUCTIONS
ANLEITUNG
INSTRUCTIONS



SIMONCLASSIC



SIMONCLICK



SIMONTALLER



SIMONAUTO



SIMONWORK



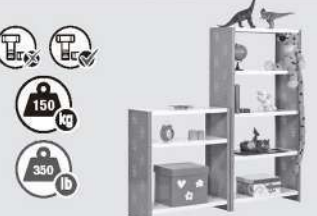
SIMONLOCKER



SIMONOFFICE



SIMONHOME



SIMONGARDEN

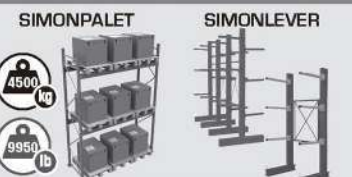


SIMONTITÁN

SIMONINOX



SIMONINDUSTRIAL



AL TILLOS Y PASILLOS ELEVADOS
PLATFORMS AND MEZZANINES
LAGERBÜHNEN • PLATES-FORMES ET MEZZANINES



* Kg / lb por bandeja con carga uniformemente repartida
Kg / lb per shelf uniformly distributed load
Kg / lb pro fach bei gleichmäßig verteilter Last
Kg / lb par plateau avec charge uniformément répartie