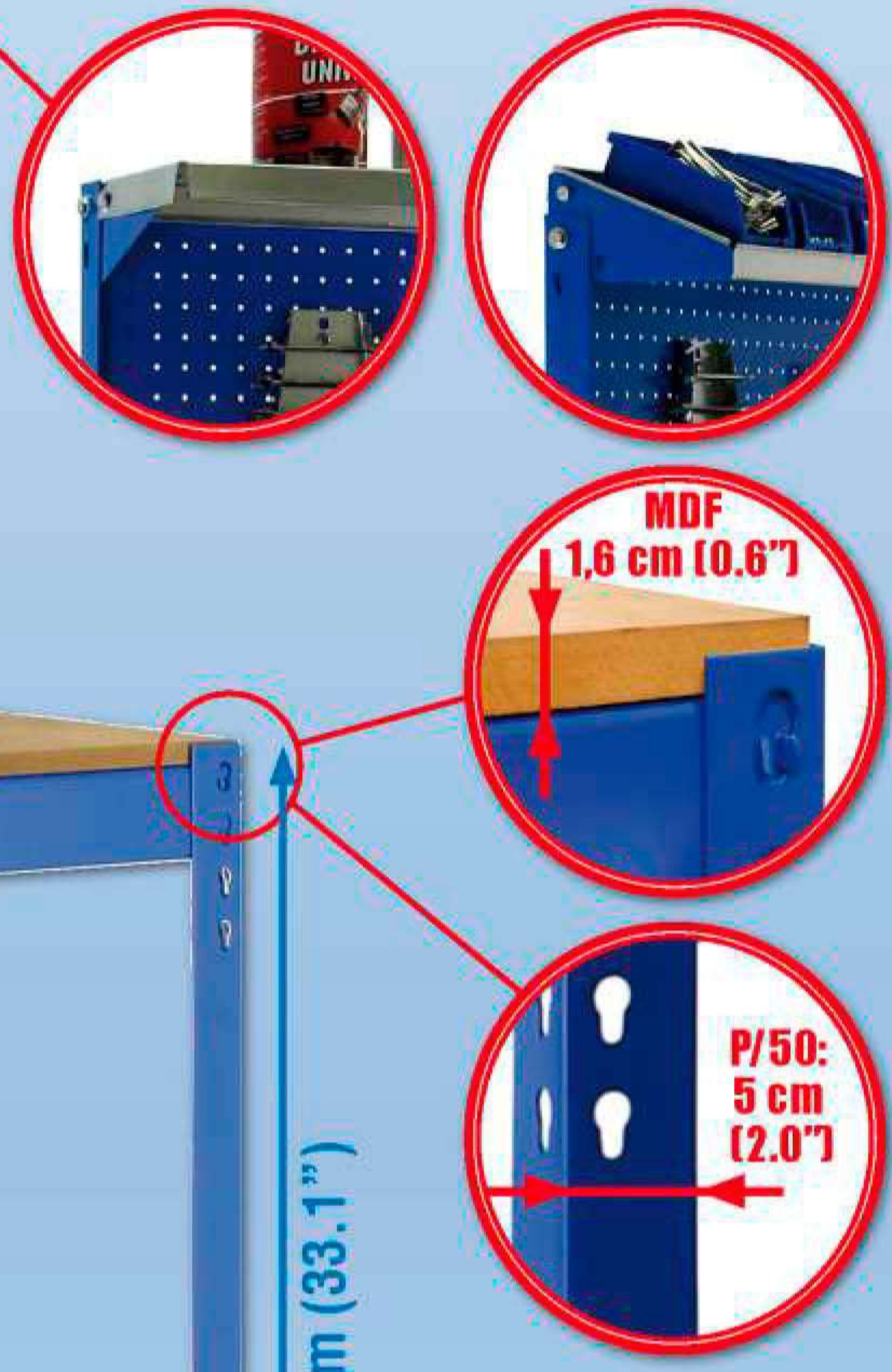
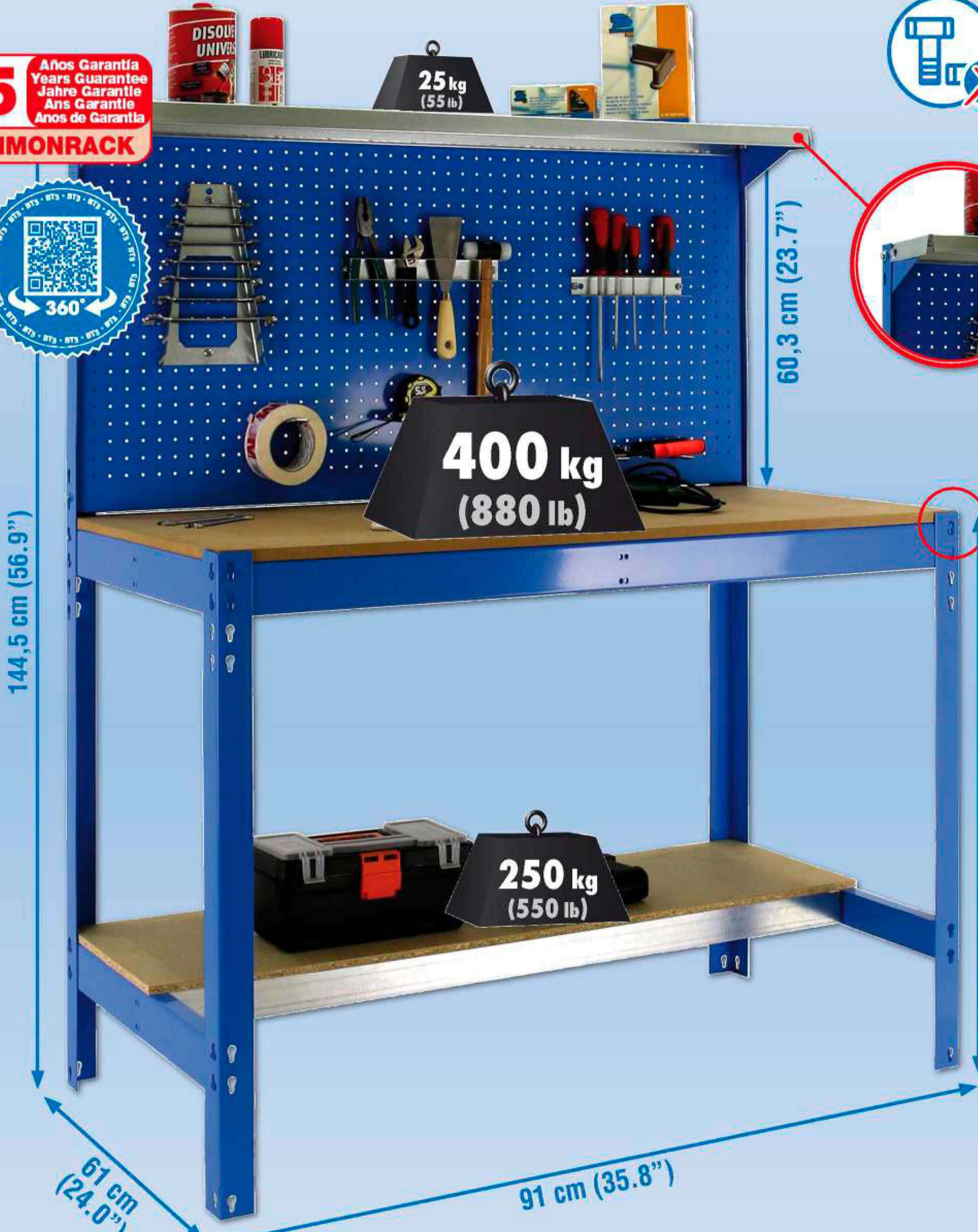


SIMONWORK BT3 900

144,5 x 91 x 61 cm
56.9" x 35.8" x 24.0"

5 Años Garantía
Years Guarantee
Jahre Garantie
Ans Garantie
Anos de Garantía
SIMONRACK



- 1 x 90x60 cm (35.4"x23.6")
- 2 x 84 cm (33.1")
- 2 x 144 cm (56.7")
- 3 x 90 cm (35.4")
- 4 x 60 cm (23.6")
- 2 x 9,5x19 cm (3.7"x7.5")
- 1 x 90x20 cm (35.8"x7.9")
- 1 x 60x90 cm (23.6"x35.4")
- 1 x 35x90 cm (13.8"x35.4")
- 1 x 90 cm (35.4")
- 6 x



Simon Rack
SINCE 1964 - MANUFACTURER



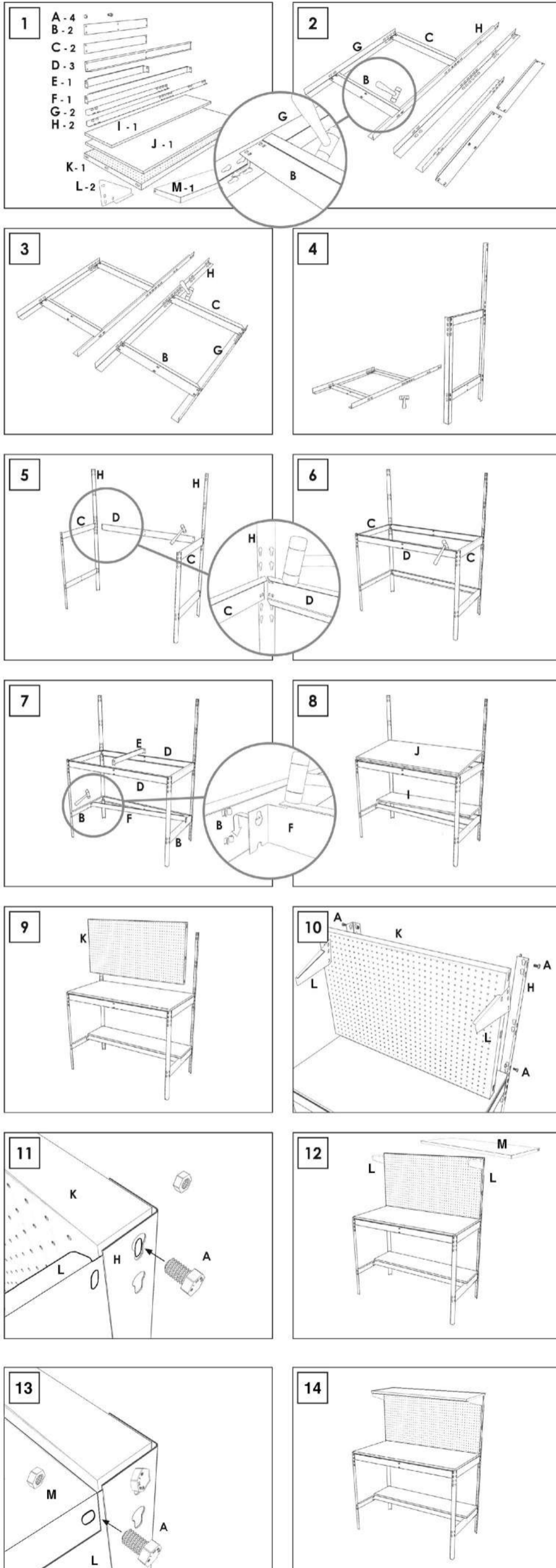
ESTANTERIAS SIMON S.L. B.50.556.463
PG. ALFAMEN C/ POLIGONO C. Nº3
ALFAMEN (ZARAGOZA)



www.simonrack.com



INSTRUCCIONES
INSTRUCTIONS
ANLEITUNG
INSTRUCTIONS



SIMONCLASSIC



SIMONCLICK



SIMONTALLER



SIMONAUTO



SIMONWORK



SIMONLOCKER



SIMONOFFICE



SIMONHOME



SIMONGARDEN



SIMONTITÁN



SIMONINOX



SIMONINDUSTRIAL



AL TILLOS Y PASILLOS ELEVADOS
PLATFORMS AND MEZZANINES
LAGERBUHNIEN • PLATES-FORMES ET MEZZANINES



* Kg / lb por bandeja con carga uniformemente repartida
Kg / lb per shelf uniformly distributed load
Kg / lb pro fach bei gleichmäßig verteilter last
Kg / lb par plateau avec charge uniformément répartie

