

# 210 x 90 x 40 cm

# 82.7" x 35.4" x 15.8"

## Kit Officlick 5/400

Necessary Initial Module!!

ADDITIONAL  
Module

**5** Años Garantía  
Years Guarantee  
Jahre Garantie  
Ans Garantie  
Anos de Garantia  
**SIMONRACK**



ESTANTERIAS SIMON S.L. B.50.556.463  
PG. ALFAMEN C/ POLIGONO C, N°3  
ALFAMEN (ZARAGOZA)

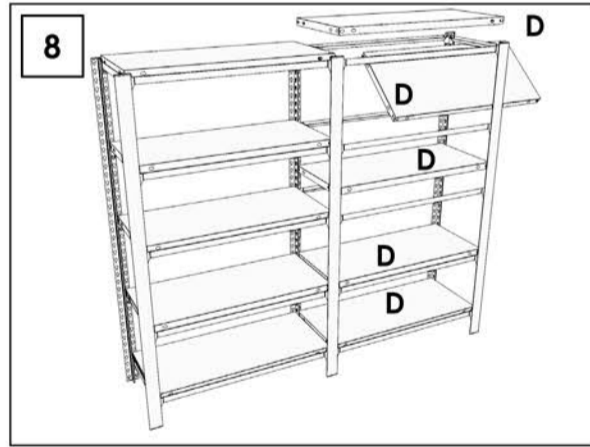
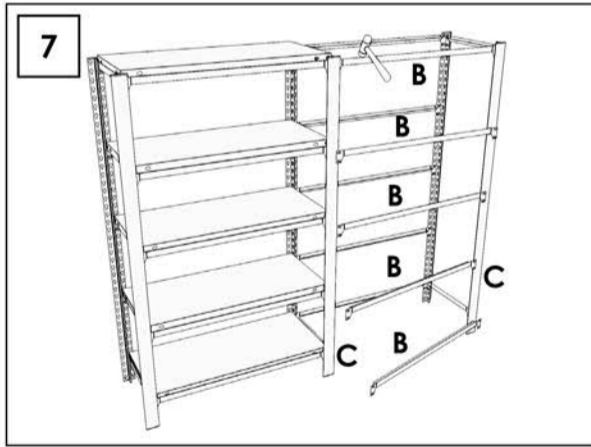
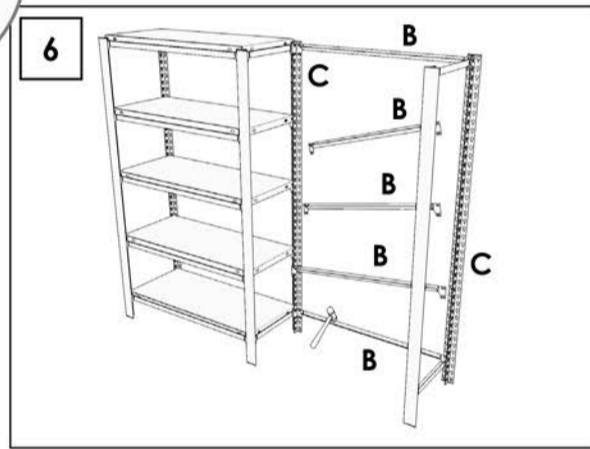
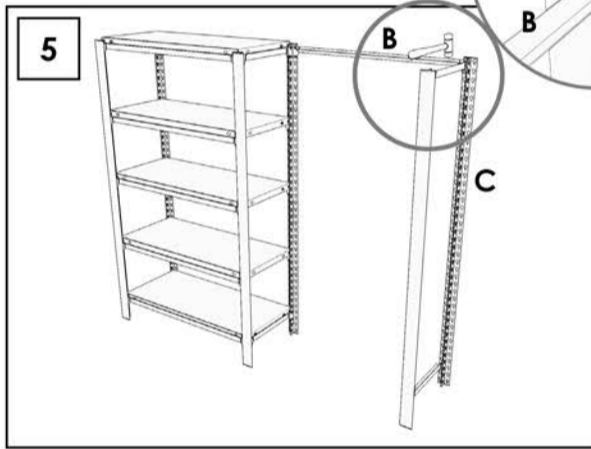
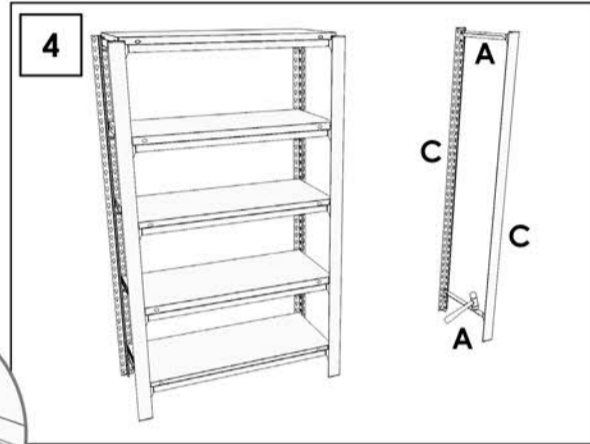
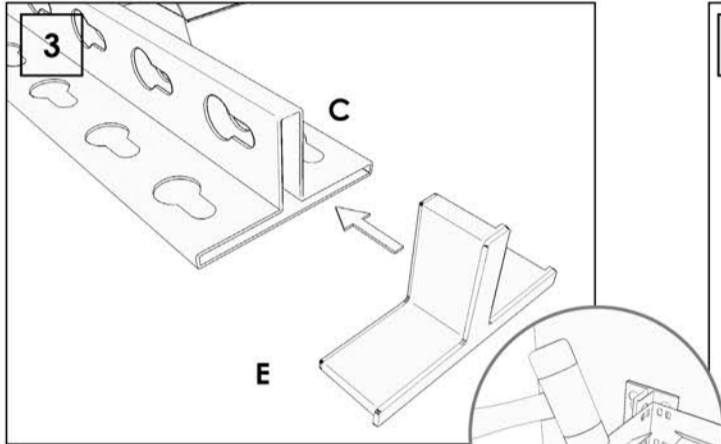
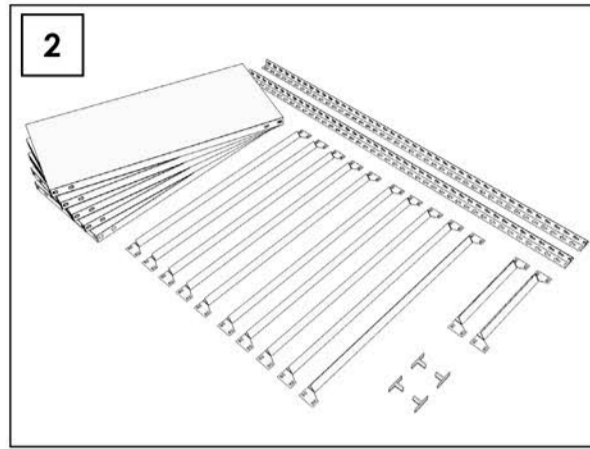
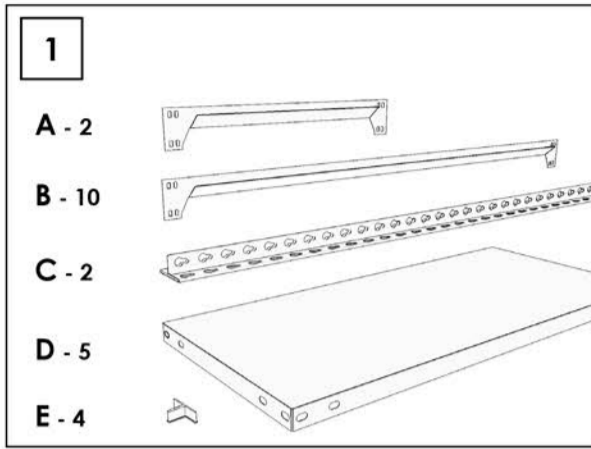
**Simon**  
**Rack**  
SINCE 1964 - MANUFACTURER



www.simonrack.com



INSTRUCTIONS



**SIMONCLASSIC**

**BOLTS SYSTEM**

Up to: **150 Kg**  
(331 lb)  
Kg/Shelf  
Uniformly Distributed Load



**SIMONCLICK**

**NO BOLTS SYSTEM**

Up to: **400 Kg**  
(882 lb)  
Kg/Shelf  
Uniformly Distributed Load



**SIMONOFFICE**

**NO BOLTS SYSTEM**

Up to: **275 Kg**  
(606 lb)  
Kg/Shelf  
Uniformly Distributed Load



**SIMONTALLER**

**NO BOLTS SYSTEM**

Up to: **700 Kg**  
(1543 lb)  
Kg/Shelf  
Uniformly Distributed Load



**BANCOS DE TRABAJO  
WORK BENCHES**

Up to: **800 Kg**  
(1764 lb)  
Kg/Shelf  
Uniformly Distributed Load



**SIMONHOME**

Up to: **150 Kg**  
(331 lb)  
Kg/Shelf  
Uniformly Distributed Load



**TAQUILLAS  
LOCKER**



**SIMONTITÁN**

**NO BOLTS SYSTEM**

Up to: **900 Kg**  
(1984 lb)  
Kg/Shelf  
Uniformly Distributed Load



**SIMONINOX**

**NO BOLTS SYSTEM**



**SIMONPALET**

Up to: **4500 Kg**  
(9921 lb)  
Kg/Shelf



**SIMONLEVER**



**ALTILLOS Y PASILLOS ELEVADOS  
PLATFORMS AND MEZZANINES**

