

# 200 x 100 x 50 cm\*

## 78.7" x 39.4" x 19.7"

### SIMONCLICK PLUS 5/500

**5** Años Garantía  
Years Guarantee  
Jahre Garantie  
Ans Garantie  
Anos de Garantia  
**SIMONRACK**



**180 kg**  
(400 lb)

**8 x**  
100 cm  
39.4"

**5 x**  
100x50 cm  
39.4"x19.7"

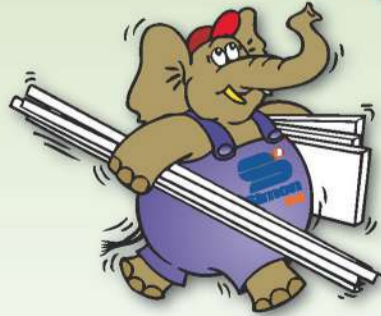
**6 x**  
50 cm  
19.7"

**10 x**  
100 cm  
39.4"

**4 x**



**900 kg**  
(2000 lb)  
Total



**Simon Rack**  
SINCE 1964 - MANUFACTURER

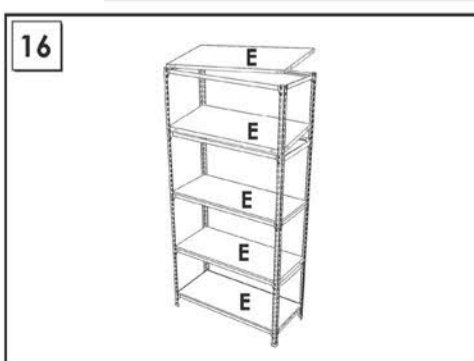
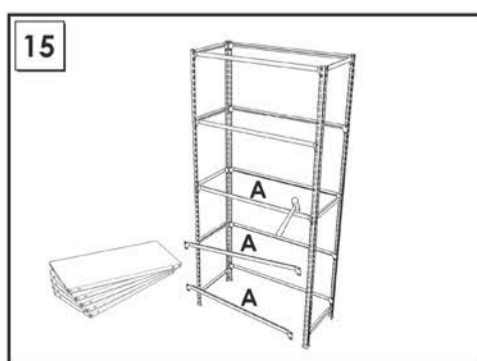
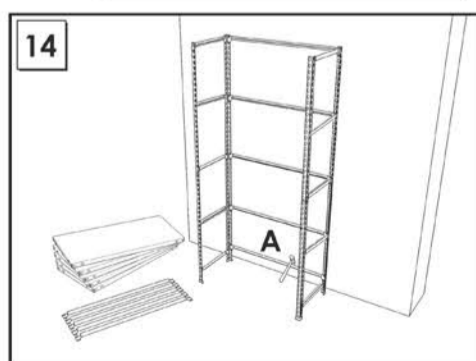
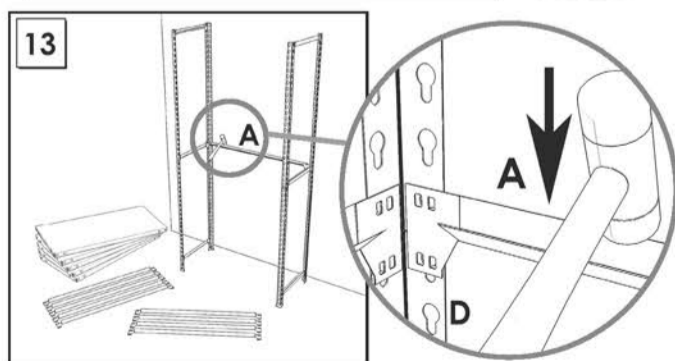
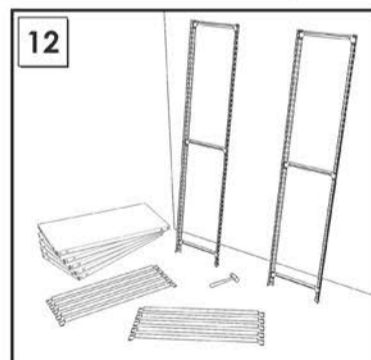
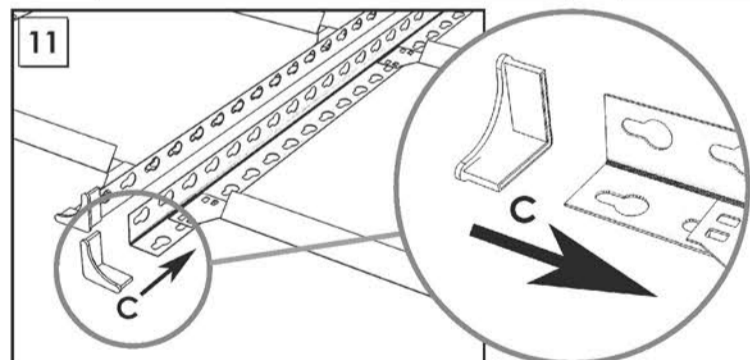
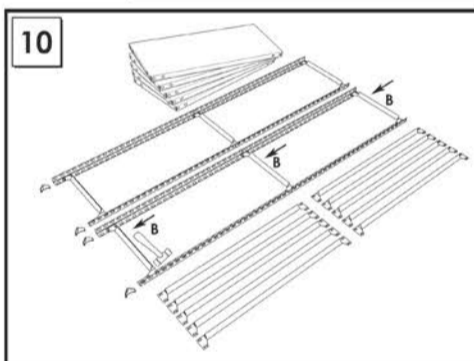
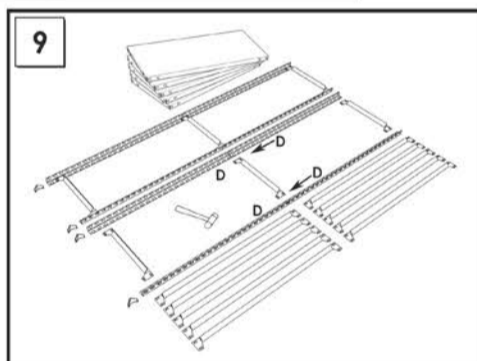
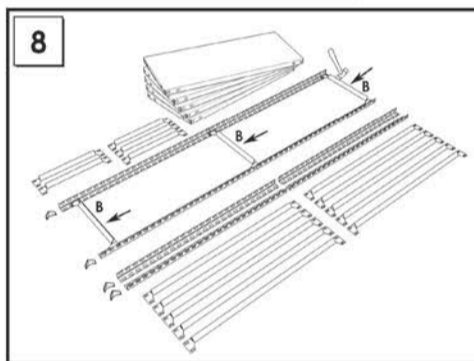
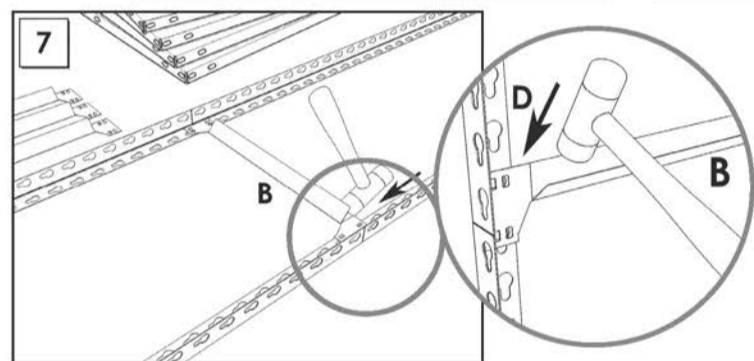
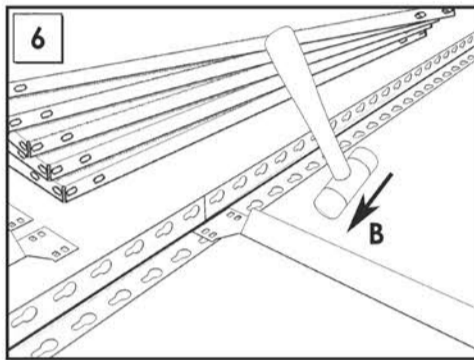
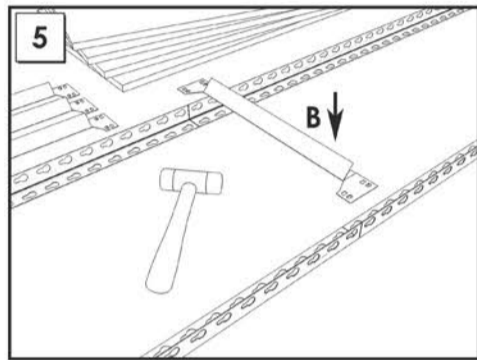
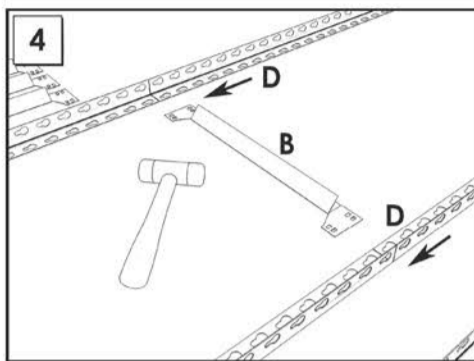
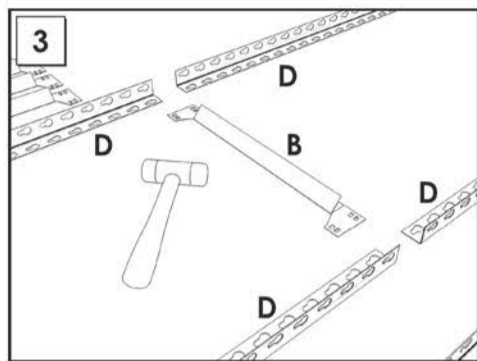
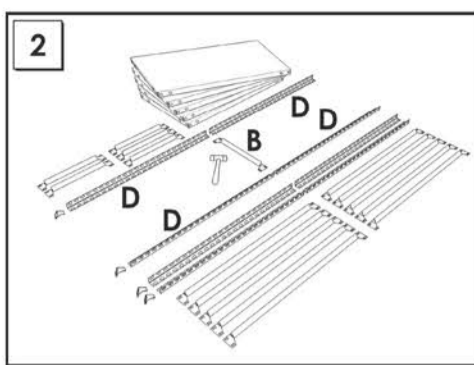
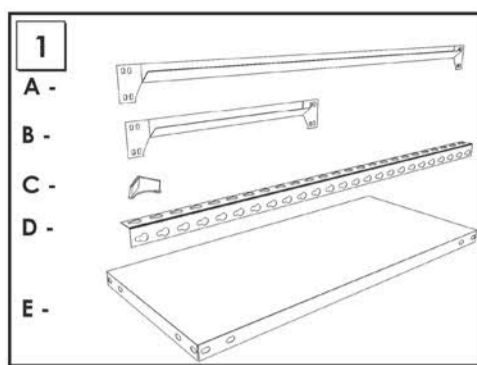
ESTANTERIAS SIMON S.L. B.50.556.463  
PG. ALFAMEN C/ POLIGONO C, Nº3  
ALFAMEN (ZARAGOZA)



[www.simonrack.com](http://www.simonrack.com)



INSTRUCTIONS

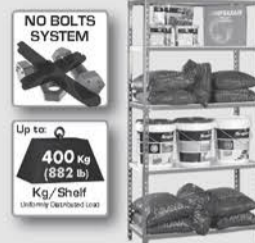


On-line instructions: [www.instructionsrack.com/simonclick](http://www.instructionsrack.com/simonclick)

## SIMONCLASSIC



## SIMONCLICK



## SIMONOFFICE



## SIMONTALLER



## BANCOS DE TRABAJO WORK BENCHES



## SIMONHOME



## TAQUILLAS LOCKER



## SIMONTITÁN



## SIMONINOX



## SIMONPALET



## SIMONLEVER



## ALTILLOS Y PASILLOS ELEVADOS PLATFORMS AND MEZZANINES

