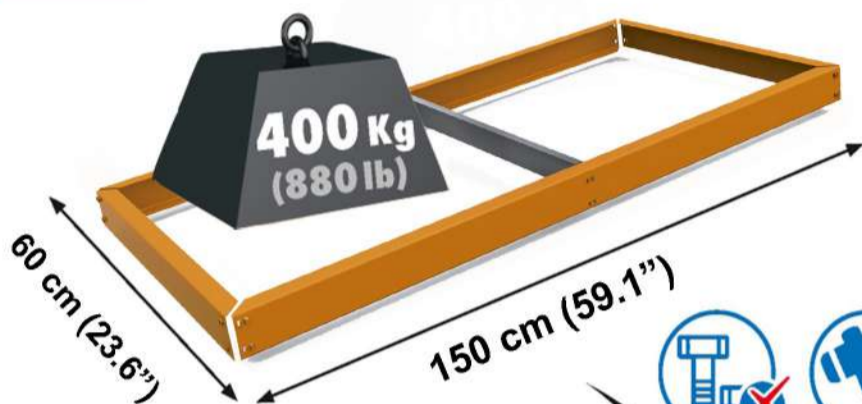


**150 x 60 cm**  
**59.1" x 23.6"**



On-line instructions: [www.instructionsrack.com/ecofortechipboard](http://www.instructionsrack.com/ecofortechipboard)

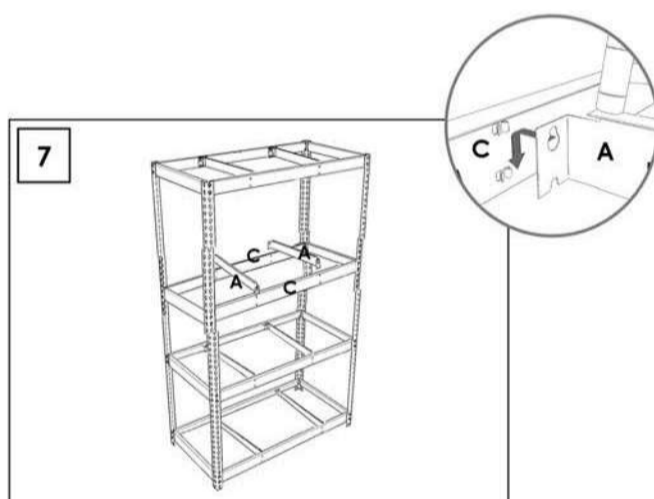
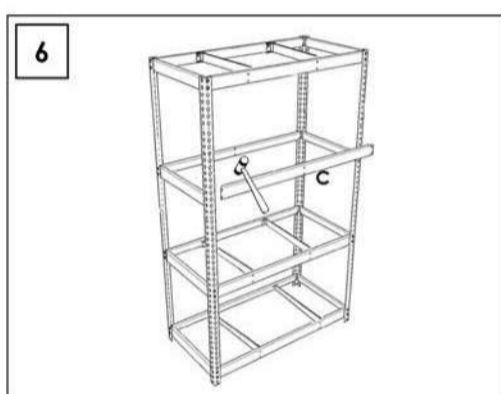
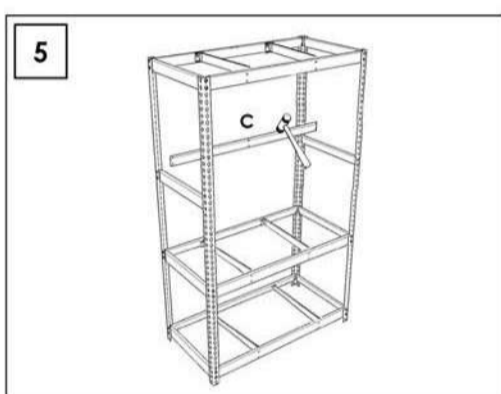
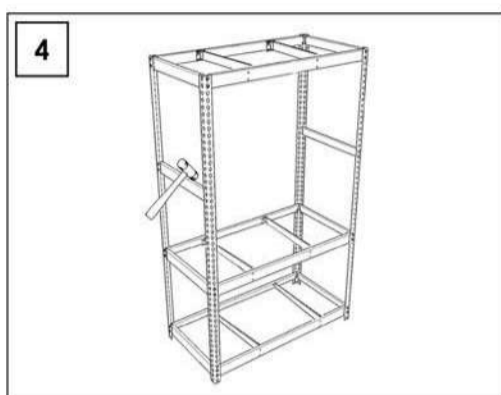
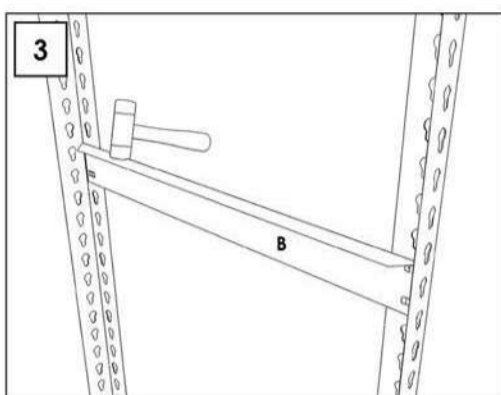
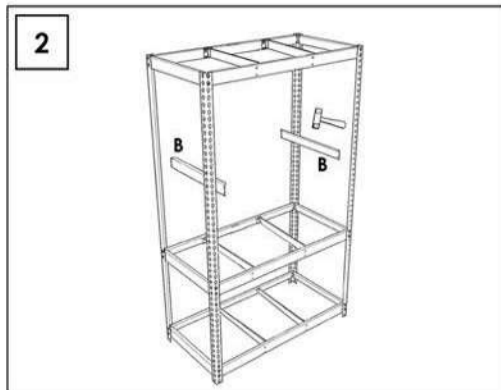
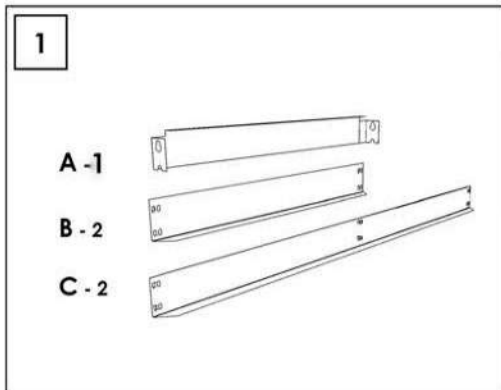


\*MEDIDAS EN USO USED MEASUREMENTS  
MASSNAHMEN IM EINSATZ MESURES EN EMPLOI MEDIDAS EM USO:  
1510 x 610 mm (59.4" x 24")



ESTANTERIAS SIMON S.L. B.50.556.463  
PG. ALFAMEN C/ POLIGONO C, N°3  
ALFAMEN (ZARAGOZA)





[www.simonrack.com](http://www.simonrack.com) • [www.simonrack.com](http://www.simonrack.com) • [www.simonrack.com](http://www.simonrack.com) • [www.simonrack.com](http://www.simonrack.com)

**SIMONCLASSIC**



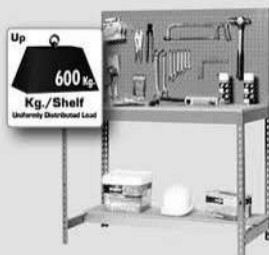
**SIMONCLICK**



**OFFCLICK**



**SIMONFORTE**



**SIMONCROMO**



**SIMONINOX**



**SIMONTITÁN**



**SIMONPALET**



**SIMONLEVER**

