

HOMECLICK METAL

90 x 80 x 40 cm* (35.4"x31.5"x15.8")

KIT MINI 3/400
Color

5 Años Garantía
Years Guarantee
Jahre Garantie
Ans Garantie
Anos de Garantia
SIMONRACK



450 kg
(1000 lb)
Total



*MEDIDAS EN USO: 904 x 804 x 404 mm
USED MEASUREMENTS: 35.59"x 31.65"x 15.91"



ESTANTERIAS SIMON S.L. B.50.556.463
PG. ALFAMEN C/ POLIGONO C, Nº3
ALFAMEN (ZARAGOZA)

Simon
Rack
SINCE 1964 - MANUFACTURER

www.simonrack.com

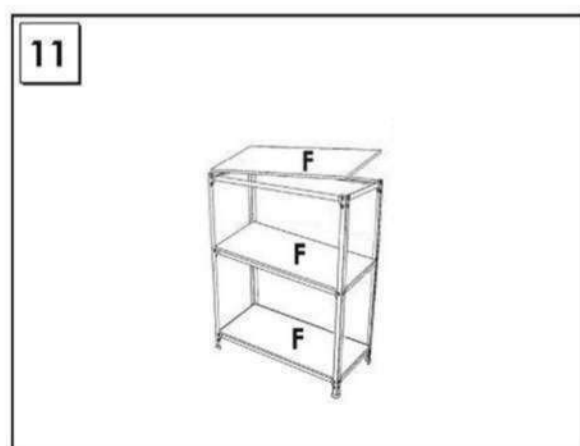
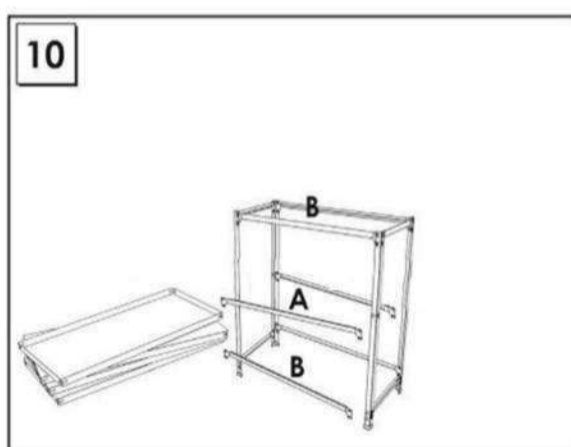
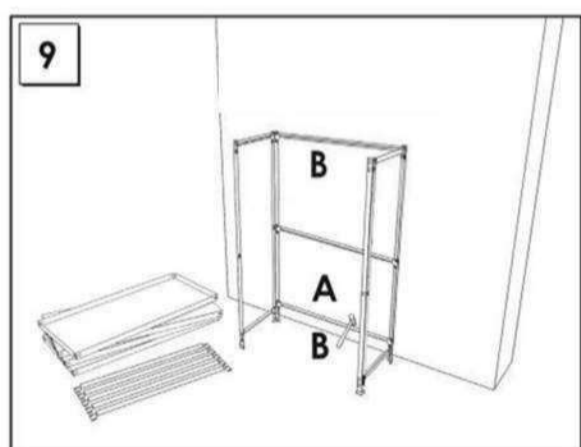
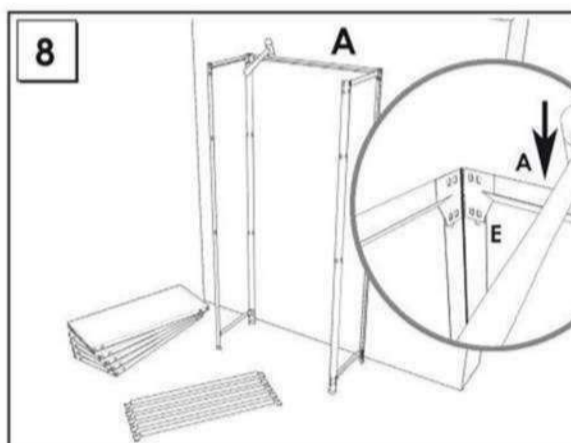
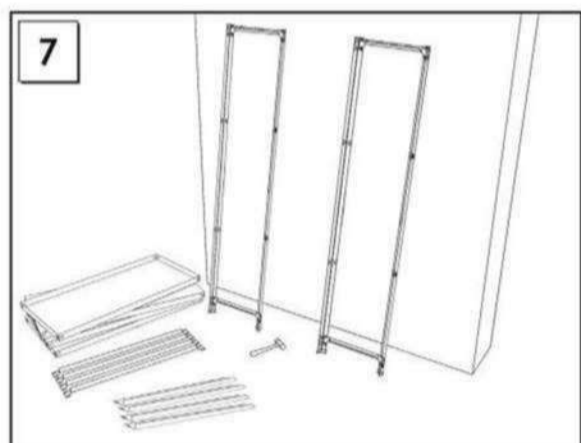
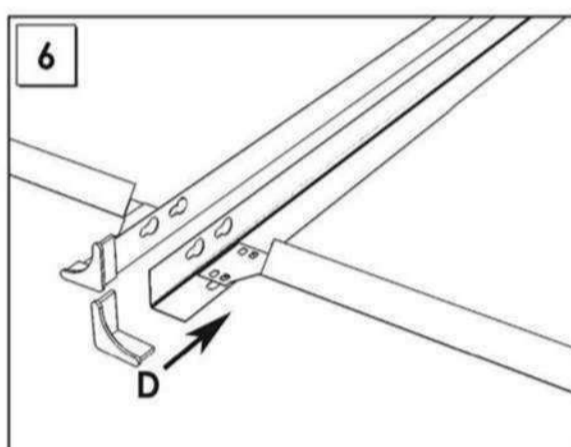
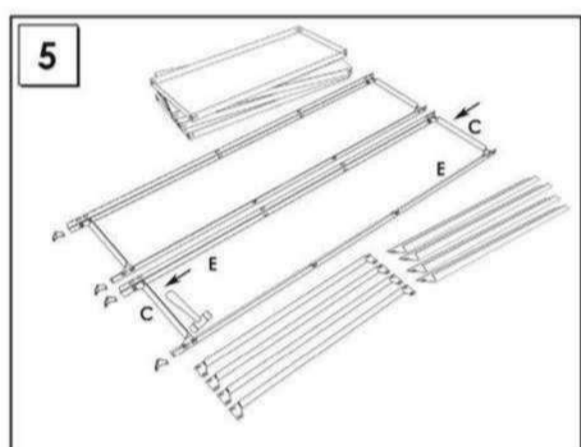
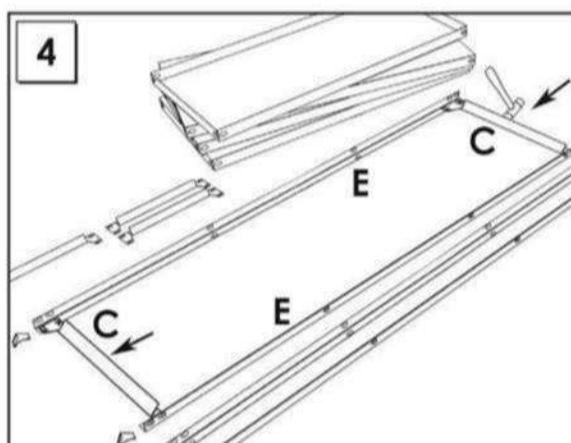
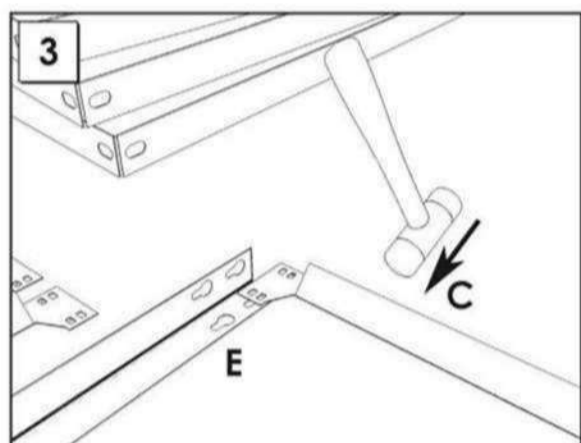
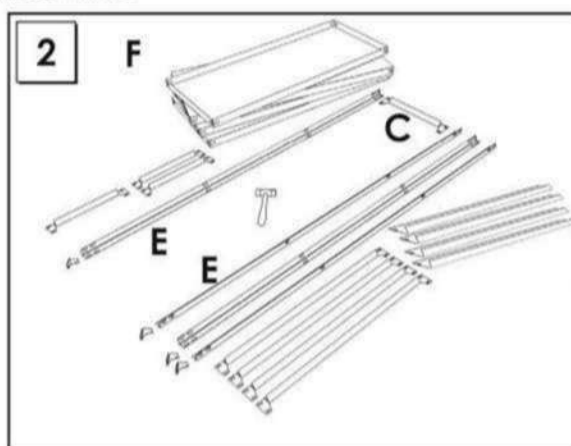
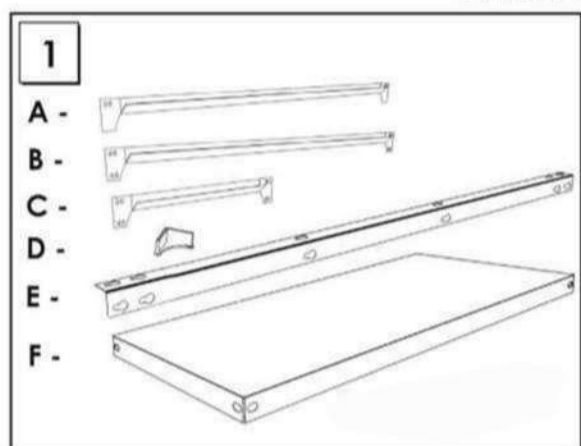


www.simonrack.com



INSTRUCTIONS

STANDARD MOUNTING



SIMONCLASSIC



SIMONCLICK



SIMONOFFICE



SIMONTALLER



BANCOS DE TRABAJO WORK BENCHES



SIMONHOME



TAGUILLAS LOCKER



SIMONTITÁN



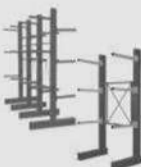
SIMONINOX



SIMONPALET



SIMONLEVER



ALTILLOS Y PASILLOS ELEVADOS PLATFORMS AND MEZZANINES

