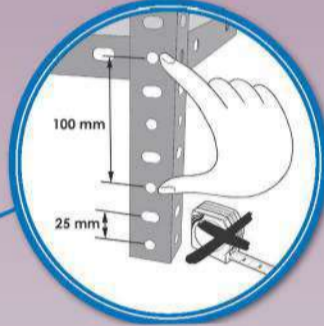


180 x 80 x 30 cm* 70.9" x 31.5" x 11.8" COMFORT MINI 5/300

5 Años Garantía
Years Guarantee
Jahre Garantie
Ans Garantie
Anos de Garantia
SIMONRACK



**500 kg
(1100 lb)
Total**



**Simon
Rack**
SINCE 1964 - MANUFACTURER

*MEDIDAS EN USO: 1803 x 814 x 314 mm
USED MEASUREMENTS: 70.98" x 32.05" x 12.36"



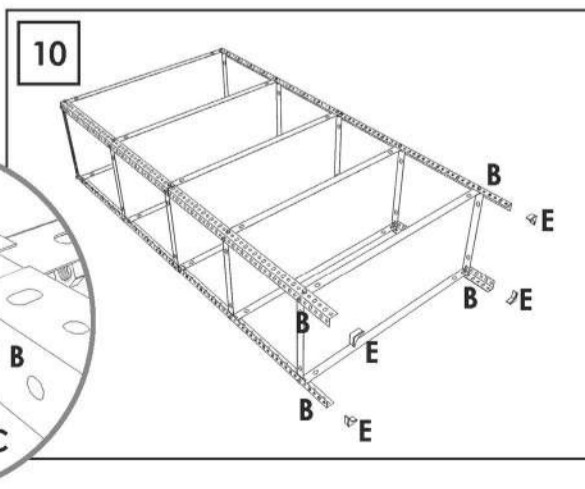
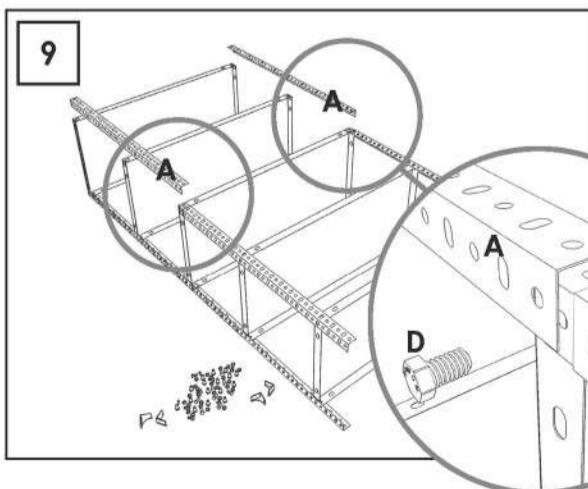
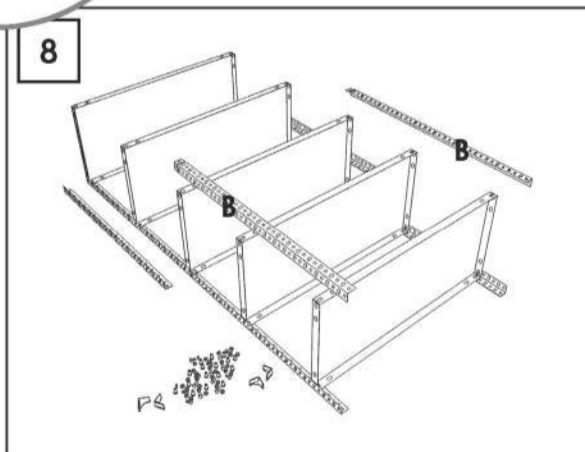
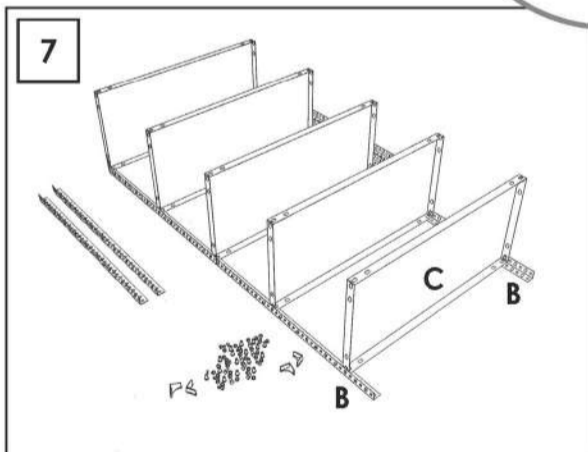
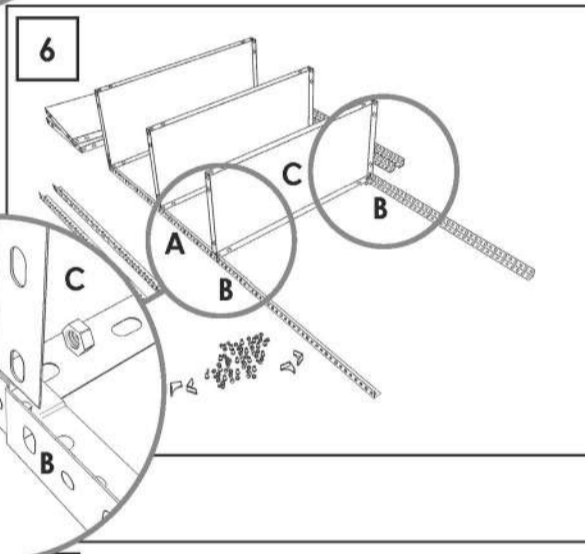
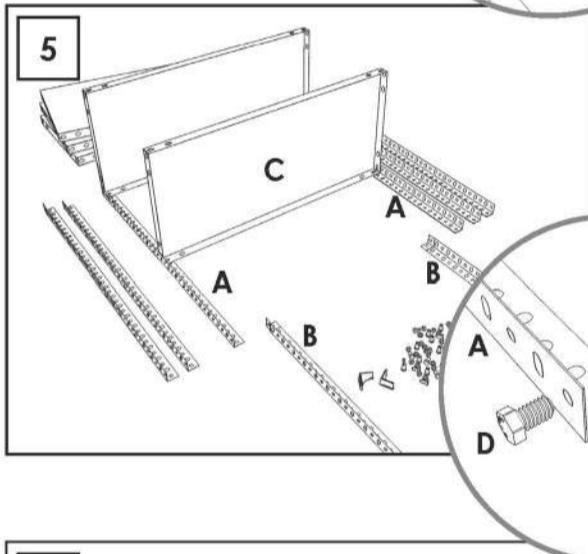
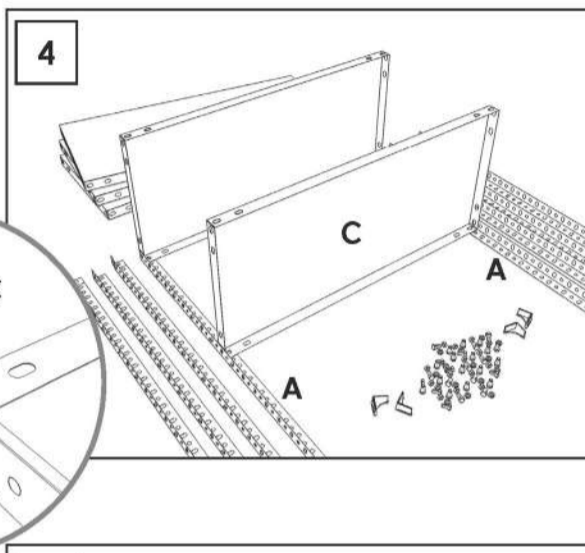
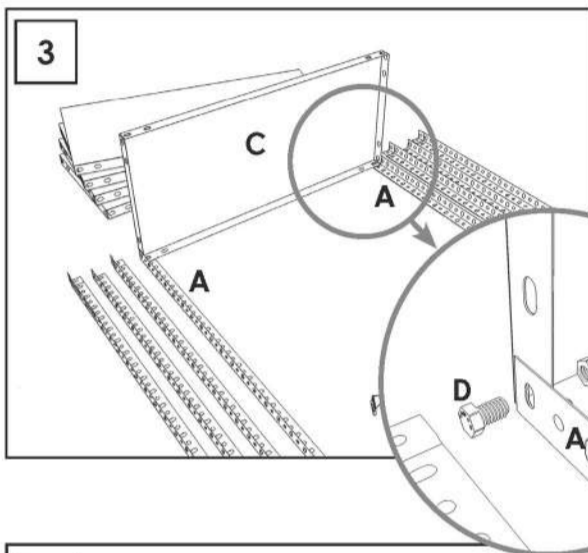
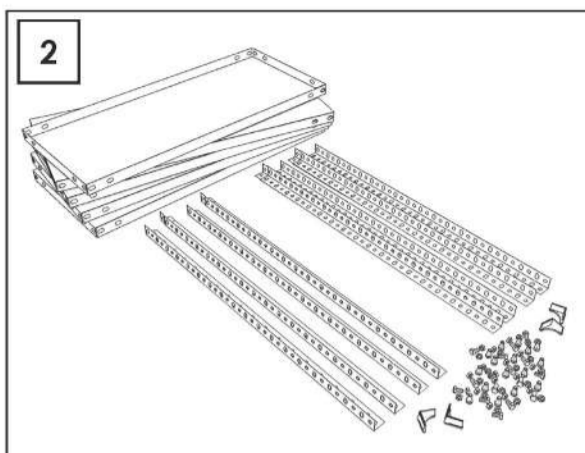
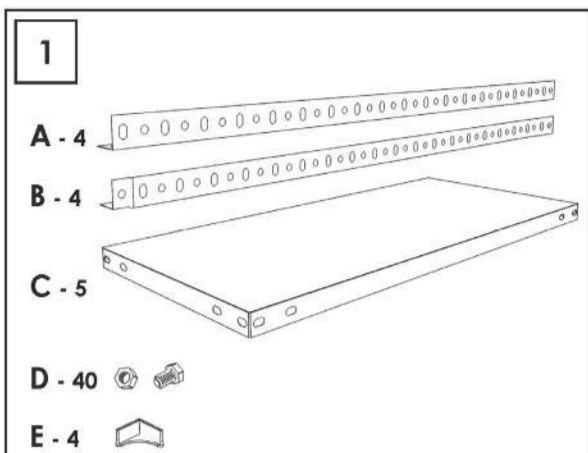
ESTANTERIAS SIMON S.L. B.50.556.463
PG. ALFAMEN C/ POLIGONO C, Nº3
ALFAMEN (ZARAGOZA)



www.simonrack.com



INSTRUCTIONS



On-line instructions: www.instructionsrack.com/simonclassic

SIMONCLASSIC



SIMONCLICK



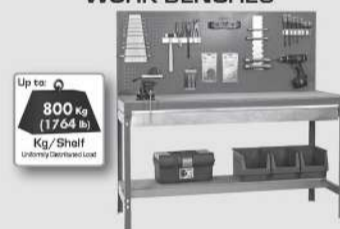
SIMONOFFICE



SIMONTALLER



**BANCOS DE TRABAJO
WORK BENCHES**



SIMONHOME



**TAQUILLAS
LOCKER**



SIMONTITÁN



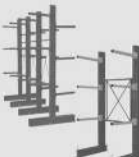
SIMONINOX



SIMONPALET



SIMONLEVER



**ALTILLOS Y PASILLOS ELEVADOS
PLATFORMS AND MEZZANINES**

