

# 150 x 110 x 30 cm

## 59.1" x 43.3" x 11.8"

### SIMONCLICK SUPERPLUS 3/300

**5** Años Garantía  
Years Guarantee  
Jahre Garantie  
Ans Garantie  
Anos de Garantia  
**SIMONRACK**



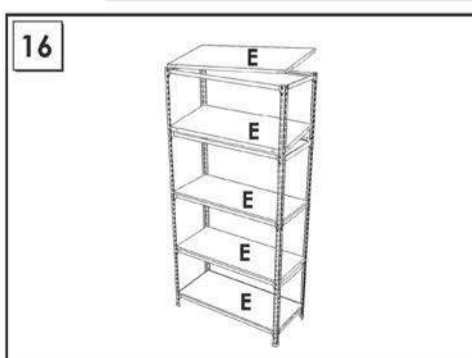
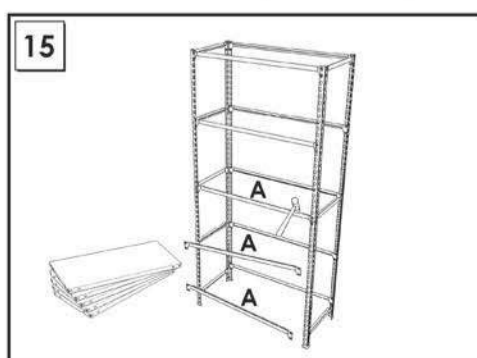
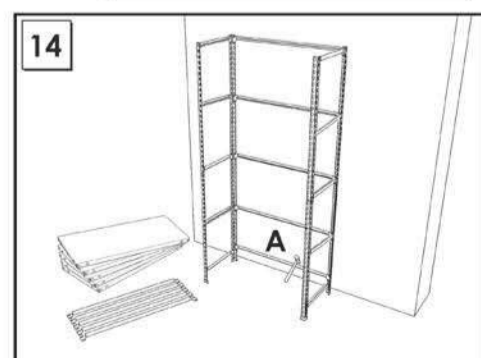
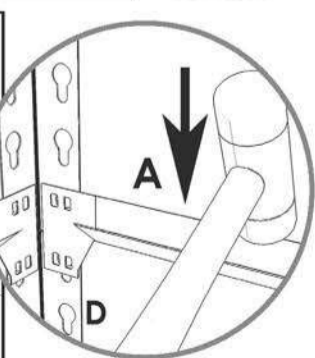
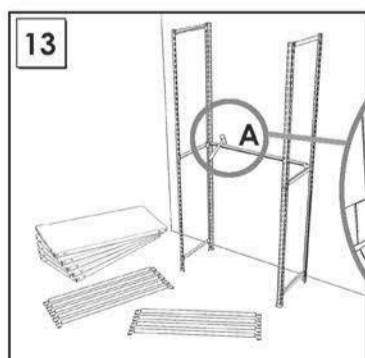
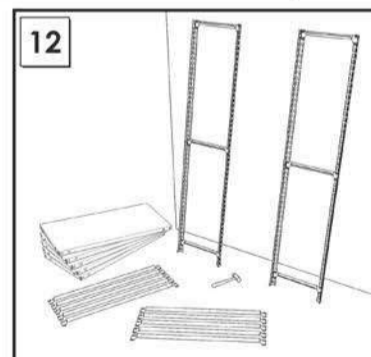
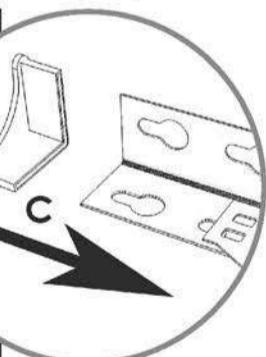
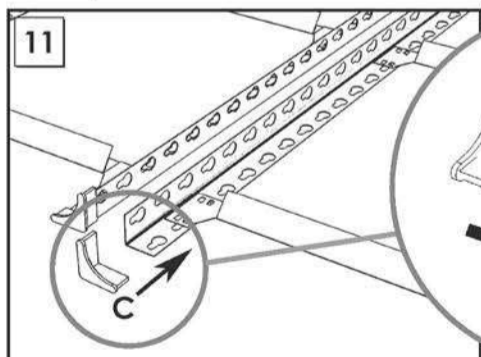
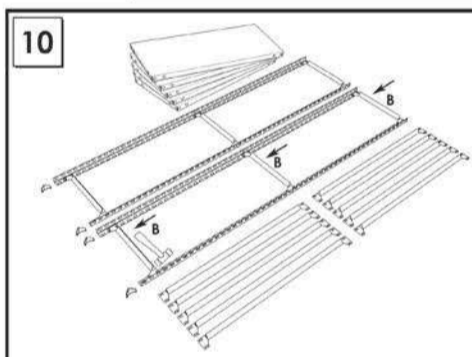
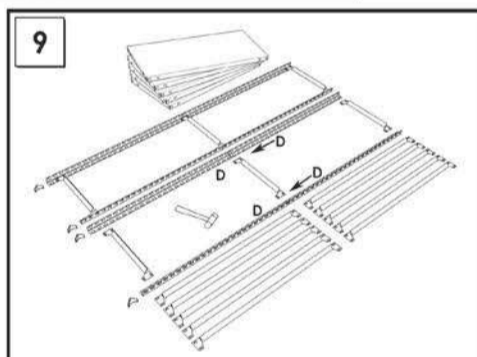
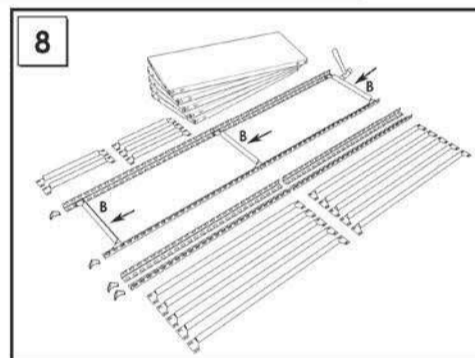
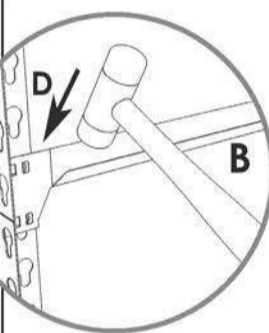
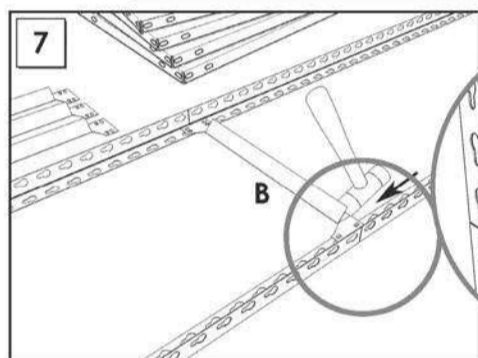
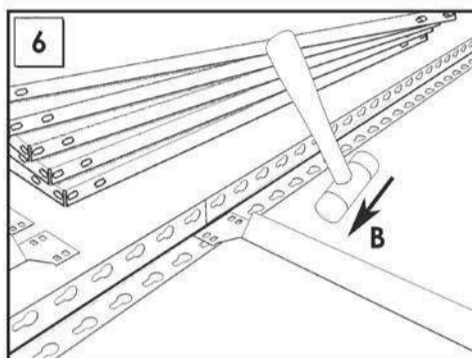
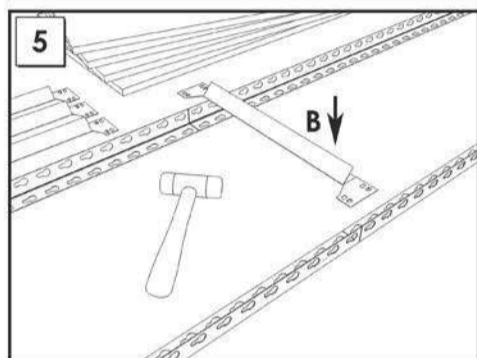
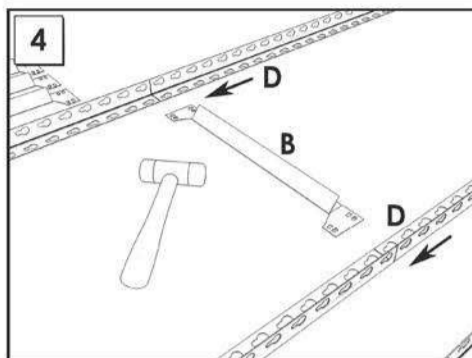
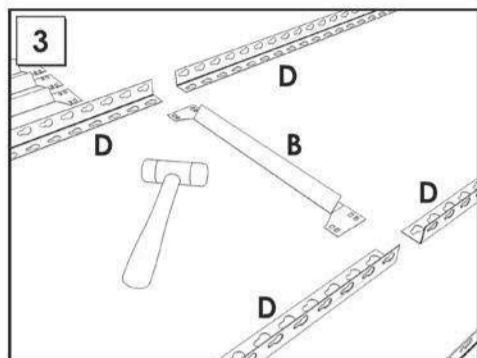
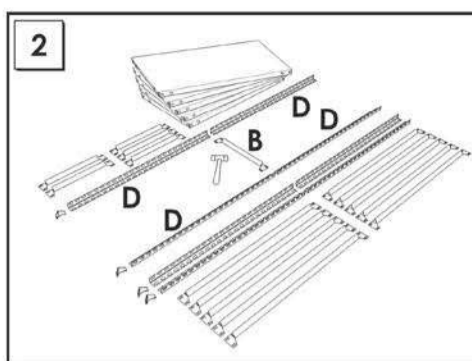
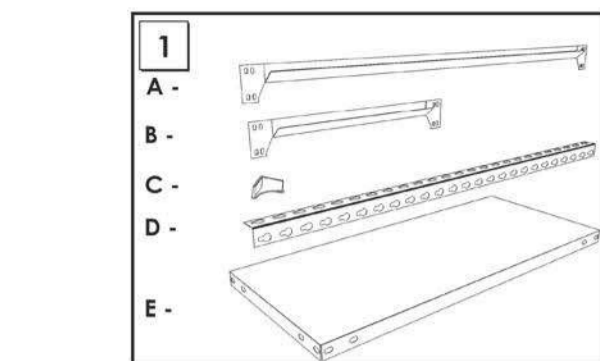
ESTANTERIAS SIMON S.L. B.50.556.463  
PG. ALFAMEN C/ POLIGONO C, N°3  
ALFAMEN (ZARAGOZA)



[www.simonrack.com](http://www.simonrack.com)



INSTRUCTIONS



On-line instructions: [www.instructionsrack.com/simonclick](http://www.instructionsrack.com/simonclick)

www.simonrack.com • www.simonrack.com • www.simonrack.com • www.simonrack.com • www.simonrack.com • www.simonrack.com • www.simonrack.com • www.simonrack.com • www.simonrack.com • www.simonrack.com

**SIMONCLASSIC**



**SIMONCLICK**



**SIMONOFFICE**



**SIMONTALLER**



**BANCOS DE TRABAJO WORK BENCHES**



**SIMONHOME**



**TAQUILLAS LOCKER**



**SIMONTITÁN**



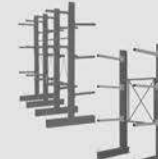
**SIMONINOX**



**SIMONPALET**



**SIMONLEVER**



**ALTILLOS Y PASILLOS ELEVADOS PLATFORMS AND MEZZANINES**

