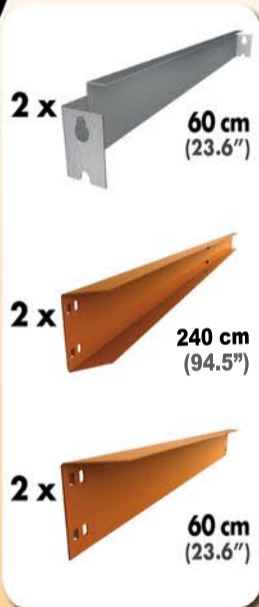
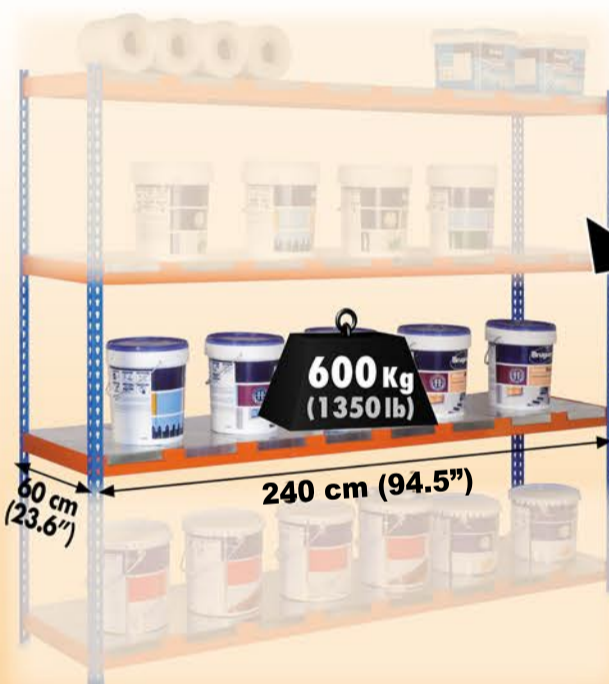


**240 x 60 cm**  
**94.5" x 23.6"**

**KIT  
2/2**

**5** Años Garantía  
Years Guarantee  
Jahre Garantie  
Anos de Garantía  
**SIMONRACK**



On-line instructions: [www.instructionsrack.com/simontaller](http://www.instructionsrack.com/simontaller)



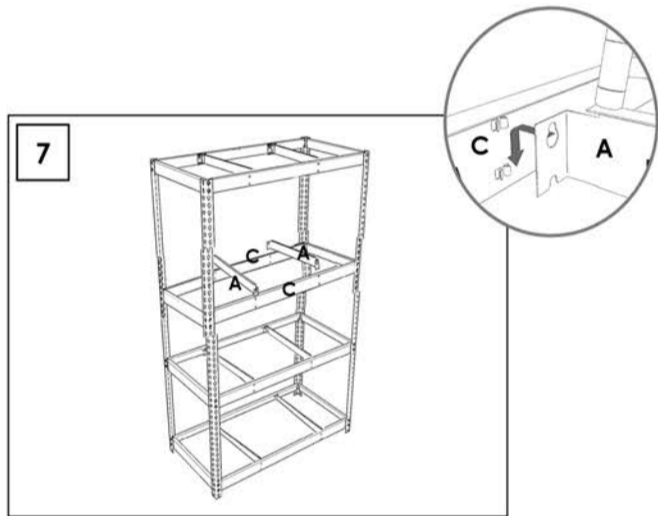
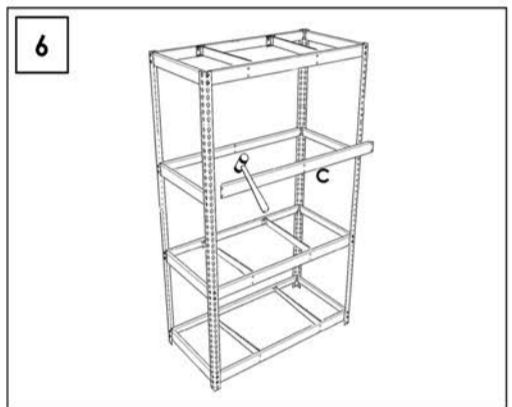
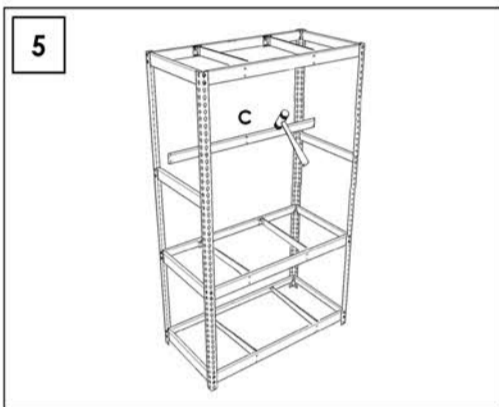
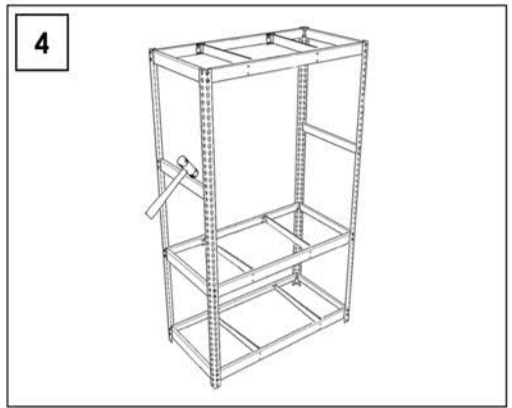
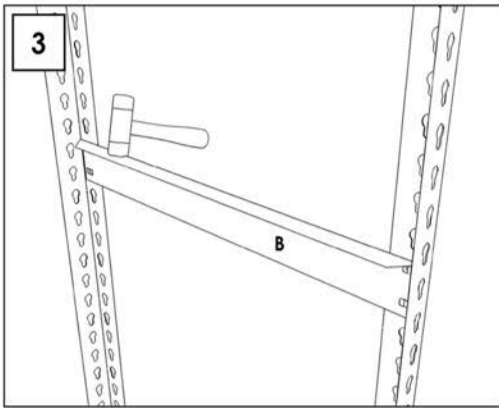
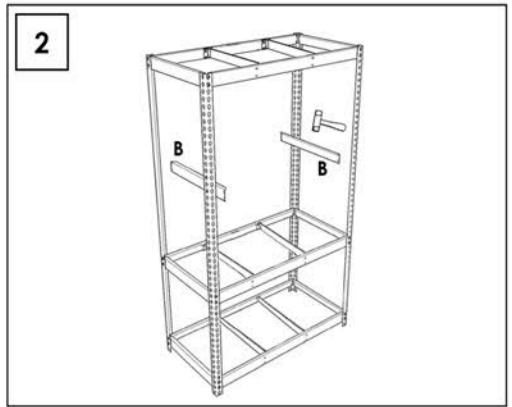
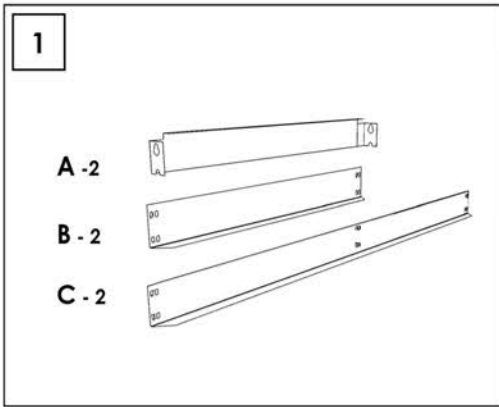
ESTANTERIAS SIMON S.L. B.50.556.463  
PG. ALFAMEN C/ POLIGONO C, N°3  
ALFAMEN (ZARAGOZA)



[www.simonrack.com](http://www.simonrack.com)



INSTRUCTIONS



[www.simonrack.com](http://www.simonrack.com) • [www.simonrack.com](http://www.simonrack.com) • [www.simonrack.com](http://www.simonrack.com) • [www.simonrack.com](http://www.simonrack.com)

**SIMONCLASSIC**



**SIMONCLICK**



**OFFCLICK**



**SIMONFORTE**



**SIMONCROMO**



**SIMONINOX**



**SIMONTITAN**



**SIMONPALET**



**SIMONLEVER**

