

SIMONWORK BT4 1200



144,5 x 121 x 75 cm
56.9" x 47.6" x 29.5"



5 Años Garantía
 Years Guarantee
 Jahre Garantie
 Ans Garantie
 Anos de Garantía
SIMONRACK



144,5 cm (56.9")

75 cm (29.5")

121 cm (47.6")



30 cm (11.8")

60 cm (23.6")

84,2 cm (33.1")

MDF
 1,6 cm (0.6")

P/50:
 5 cm (2.0")



2 x 56 cm (22.0")
 2 x 84 cm (33.1")
 2 x 144 cm (56.7")

1 x 75x120 cm (29.5"x47.2")
 1 x 40x120 cm (15.7"x47.2")

3 x 120 cm (47.2")

4 x 75 cm (29.5")
 2 x 30 cm (11.8")

1 x 120x30 cm (47.2"x11.8")

8 x

1 x 120 cm (47.2")
 1 x 75 cm (29.5")

2 x 30 cm (11.8")

1 x 120 cm (47.2")



PRECAUCIÓN
 PRODUCTO PESADO
 ATTENTION
 HEAVY PRODUCT
 ACHTUNG!
 SCHWERES PRODUKT
 ATTENTION
 PRODUCT LOUD



ESTANTERIAS SIMON S.L. B.50.556.463
 PG. ALFAMEN C/ POLIGONO C. Nº3
 ALFAMEN (ZARAGOZA)

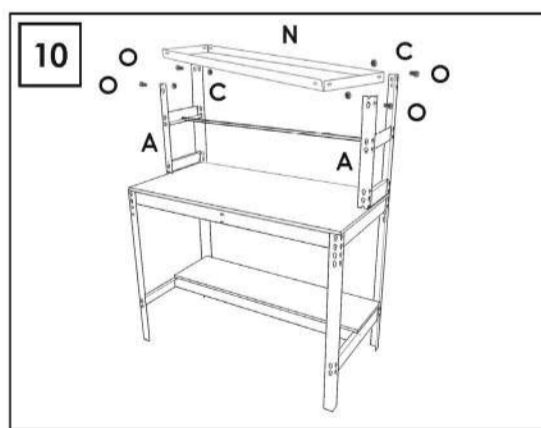
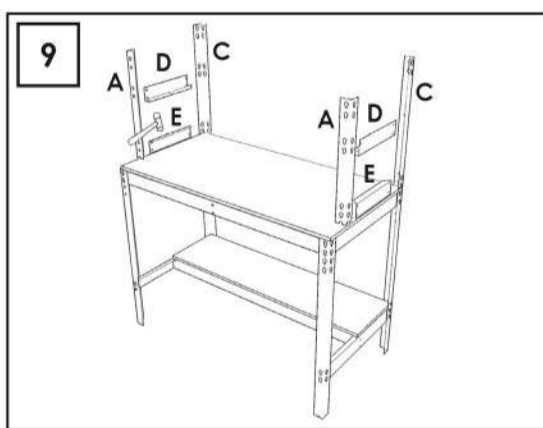
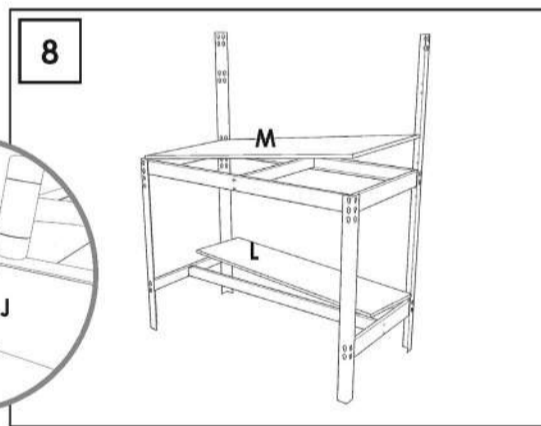
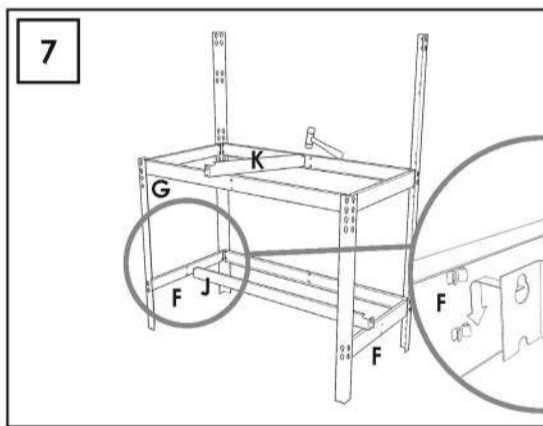
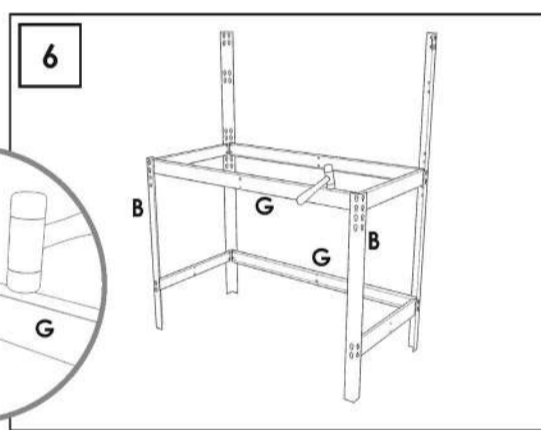
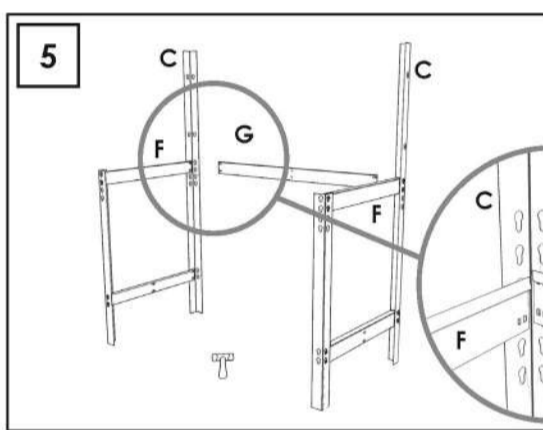
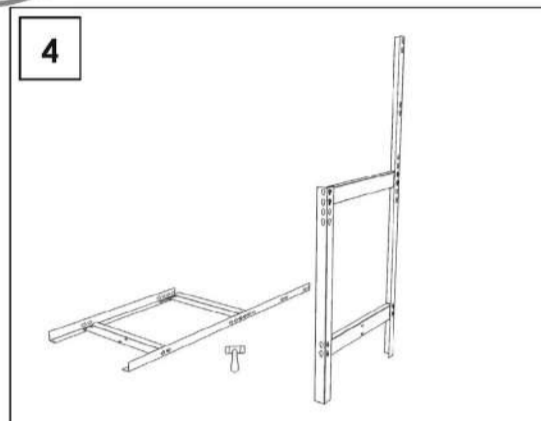
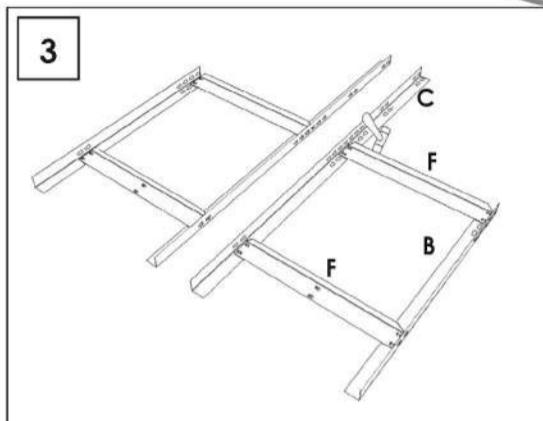
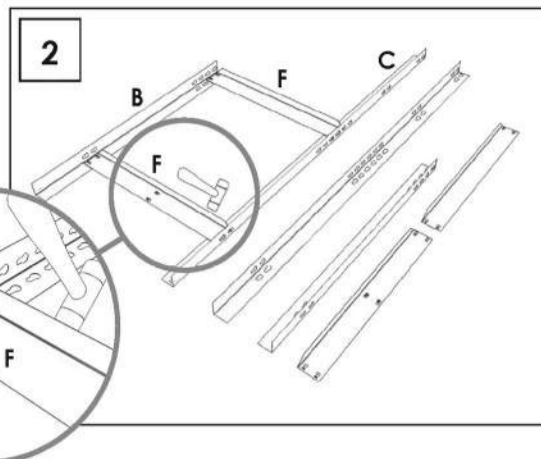
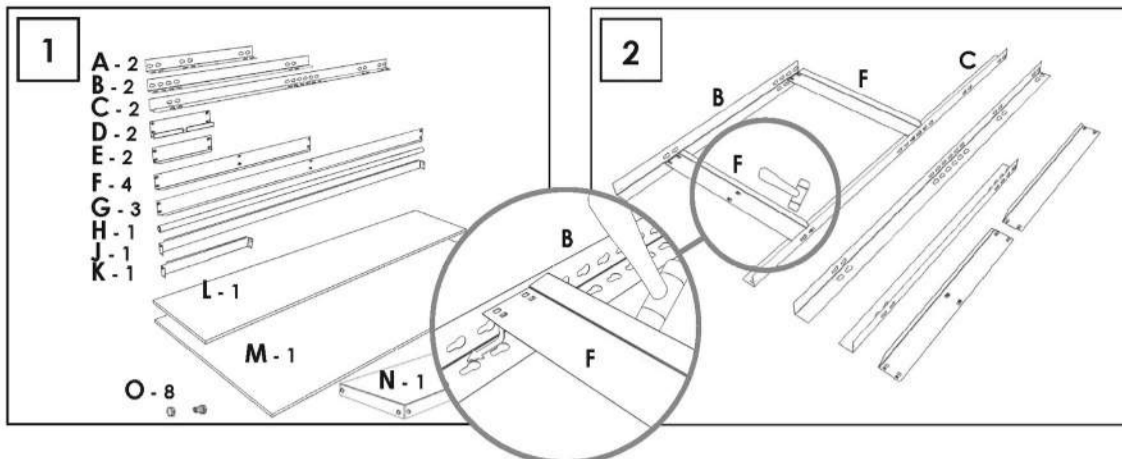
Simon
Rack
 SINCE 1964 - MANUFACTURER



www.simonrack.com



INSTRUCCIONES
 INSTRUCTIONS
 ANLEITUNG
 INSTRUCTIONS



SIMONCLASSIC



SIMONCLICK



SIMONTALLER



SIMONAUTO



SIMONWORK



SIMONLOCKER



SIMONOFFICE



SIMONHOME



SIMONGARDEN



SIMONTITÁN

SIMONINOX



SIMONINDUSTRIAL



ALTILOS Y PASILLOS ELEVADOS
PLATFORMS AND MEZZANINES
LAGERBUHNIEN • PLATES-FORMES ET MEZZANINES



* Kg / lb por bandeja con carga uniformemente repartida
Kg / lb per shelf uniformly distributed load
Kg / lb pro fach bei gleichmäßig verteilter last
Kg / lb par plateau avec charge uniformément répartie

