

# 150 x 90 x 30 cm\*

## 59.1" x 35.4" x 11.8"

### Kit Officlick 4/300

**Necessary Initial Module!!**

**ADDITIONAL Module**

**5 years**  
SIMONRACK  
GUARANTEE



\*MEDIDAS EN USO: 1525 x 890 x 326 mm  
USED MEASUREMENTS: 60.04" x 38.98" x 12.83"



ESTANTERIAS SIMON S.L. B.50.556.463  
PG. ALFAMEN C/ POLIGONO C, N°3  
ALFAMEN (ZARAGOZA)

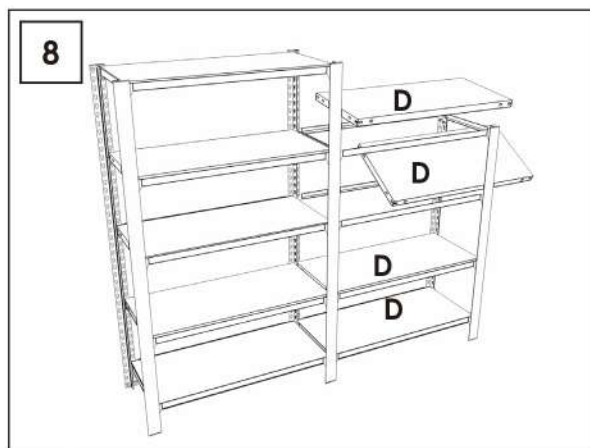
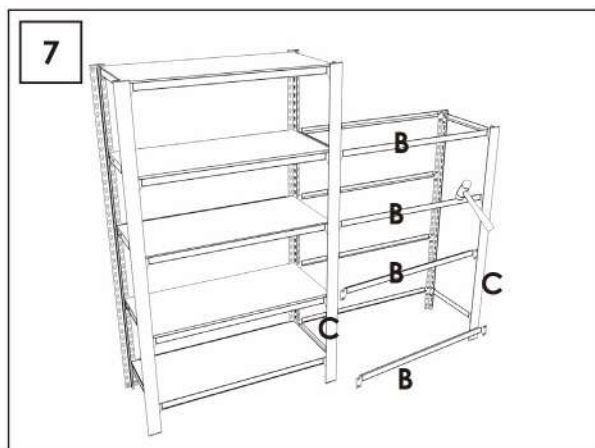
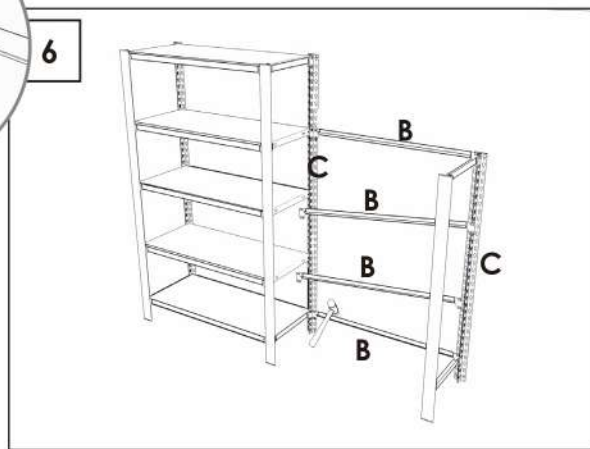
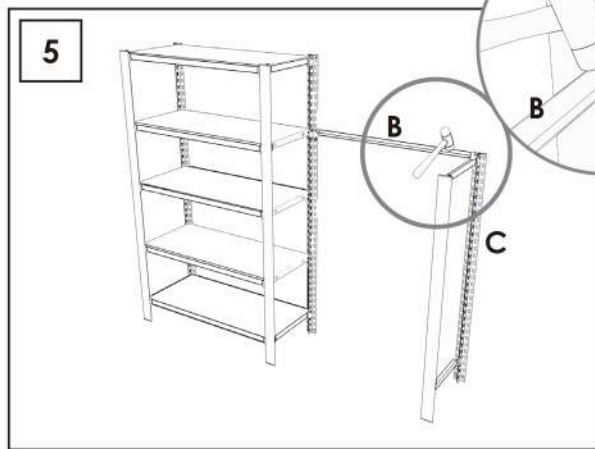
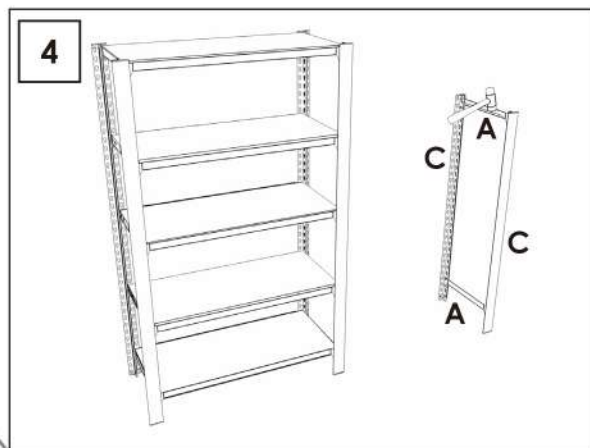
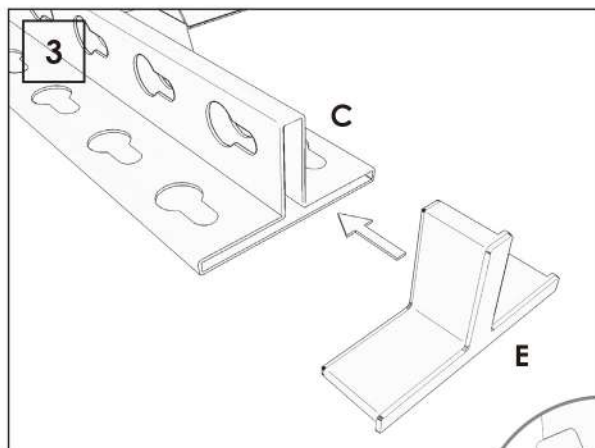
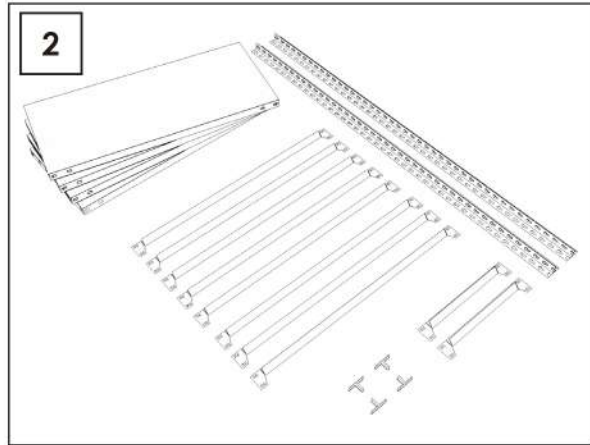
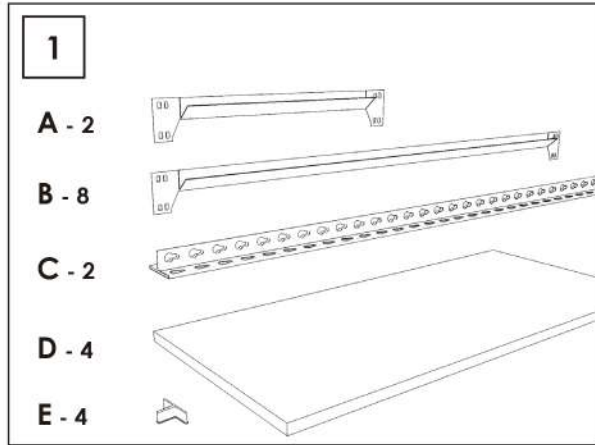


[www.simonrack.com](http://www.simonrack.com)



**INSTRUCTIONS**





**SIMONCLASSIC**



**SIMONCLICK**



**SIMONOFFICE**



**SIMONTALLER**



**BANCOS DE TRABAJO  
WORK BENCHES**



**SIMONHOME**



**TAQUILLAS  
LOCKER**



**SIMONTITÁN**



**SIMONINOX**



**SIMONPALET**



**SIMONLEVER**



**ALTILLOS Y PASILLOS ELEVADOS  
PLATFORMS AND MEZZANINES**

