

# 90 x 100 x 50 cm.

## 35.4" x 39.4" x 19.7"

### Ecoclick plus 3/500

**5** years  
SIMONRACK  
GUARANTEE

   
**MADE IN SPAIN**  
European Quality



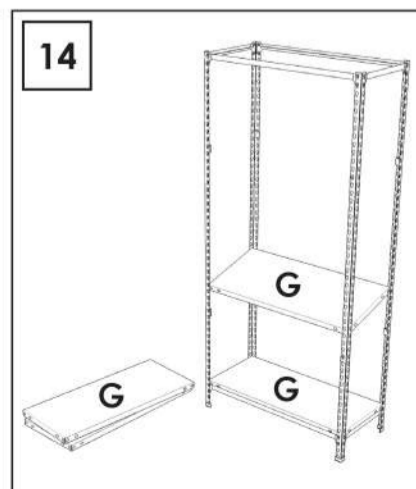
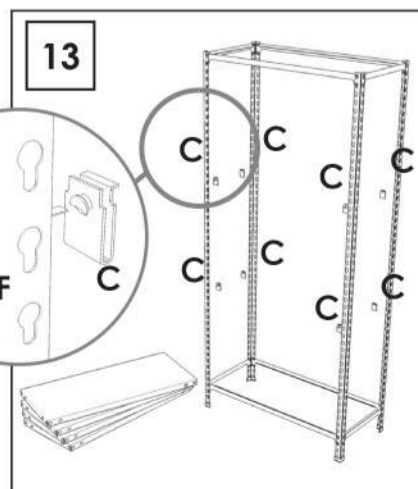
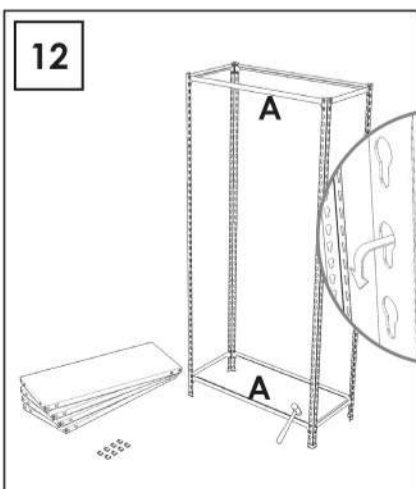
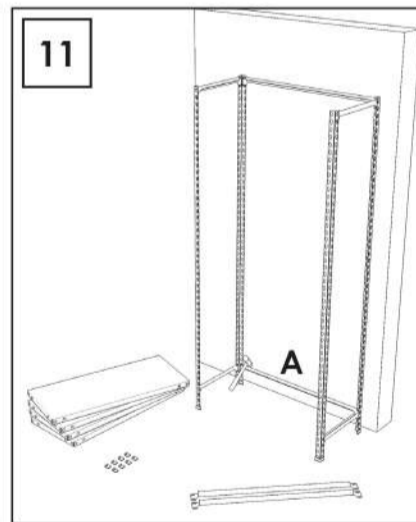
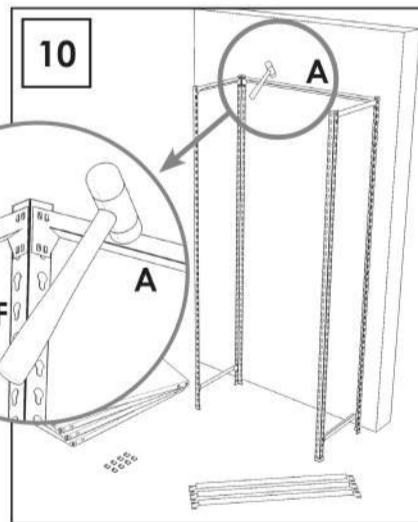
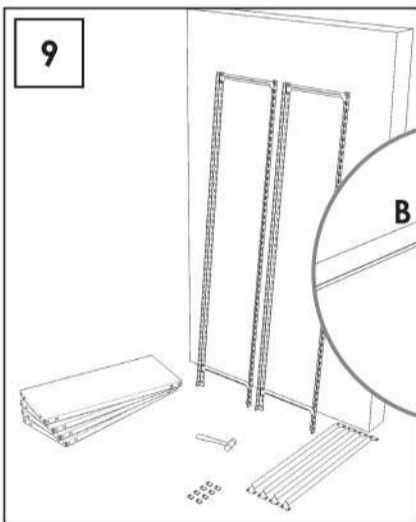
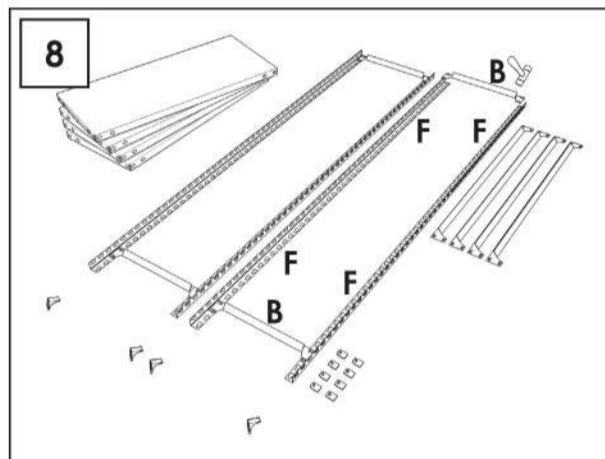
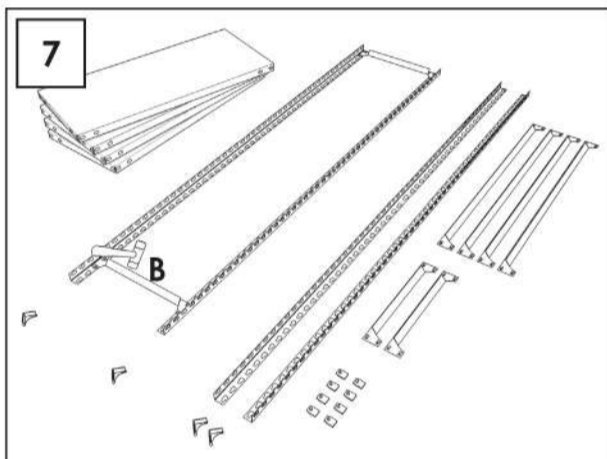
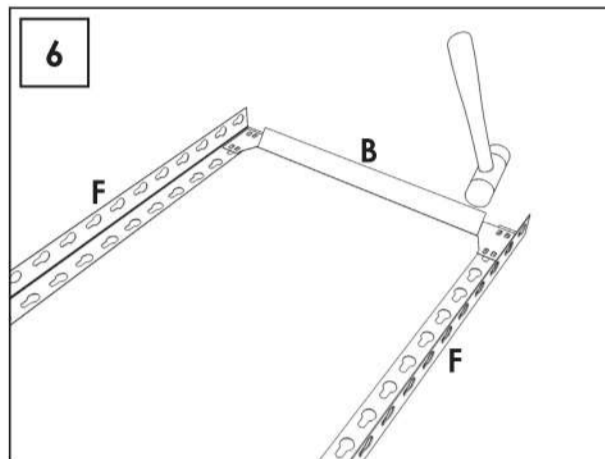
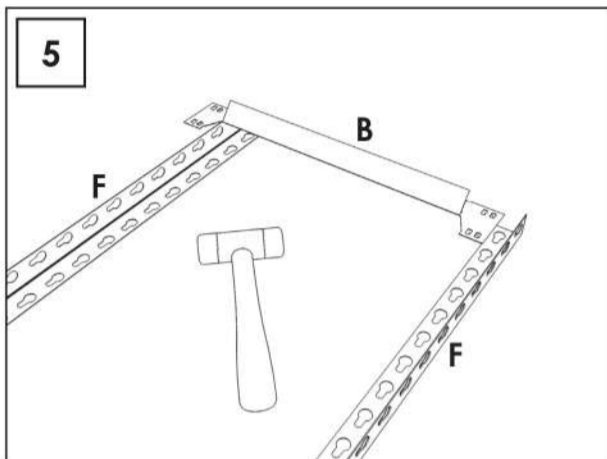
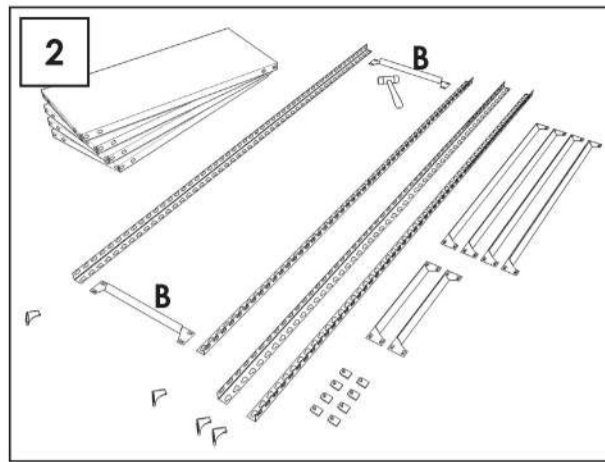
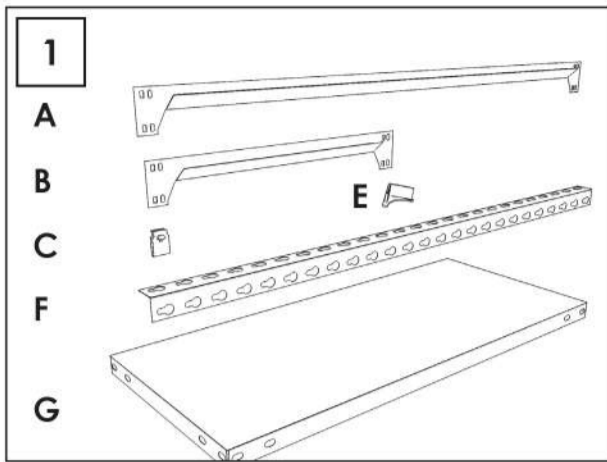
**Simon Rack**  
SINCE 1964 - MANUFACTURER



[www.simonrack.com](http://www.simonrack.com)



INSTRUCTIONS



**SIMONCLASSIC**



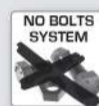
**SIMONCLICK**



**SIMONOFFICE**



**SIMONTALLER**



**BANCOS DE TRABAJO**



**SIMONHOME**



**TAQUILLAS**



**SIMONTITÁN**



**SIMONINOX**



**SIMONPALET**



**SIMONLEVER**



**ALTILLOS Y PASILLOS ELEVADOS**

