

# HOMECLASSIC

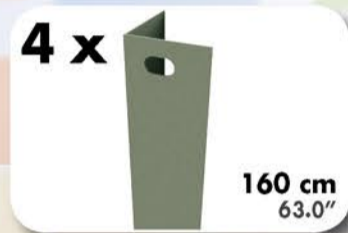
160 x 100 x 30 cm\* (63.0"x39.4"x11.8")

**KIT PLUS 4/300**

**5** Años Garantía  
Years Guarantee  
Jahre Garantie  
Ans Garantie  
Anos de Garantia  
**SIMONRACK**

**100 kg**  
(220 lb)

**400 kg**  
(880 lb)  
Total



160 cm (63.0")

30 cm (11.8")

100 cm (39.4")

**100 kg**  
(220 lb)

**100 kg**  
(220 lb)

**100 kg**  
(220 lb)



\*MEDIDAS EN USO: 1602 x 1014 x 314 mm  
USED MEASUREMENTS: 63.07" x 39.92" x 12.36"



ESTANTERIAS SIMON S.L. B.50.556.463  
PG. ALFAMEN C/ POLIGONO C, N°3  
ALFAMEN (ZARAGOZA)

**Simon**  
**Rack**  
SINCE 1964 - MANUFACTURER



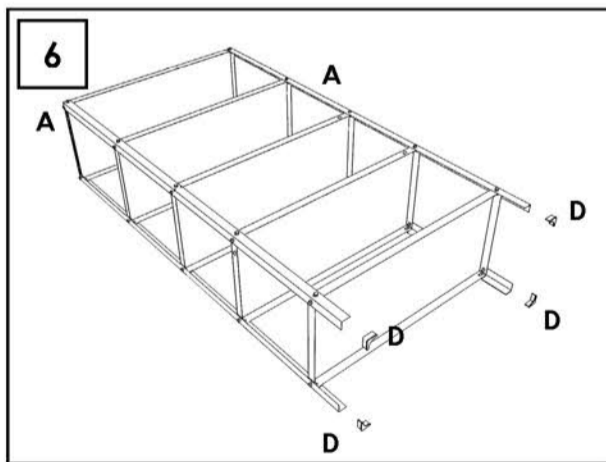
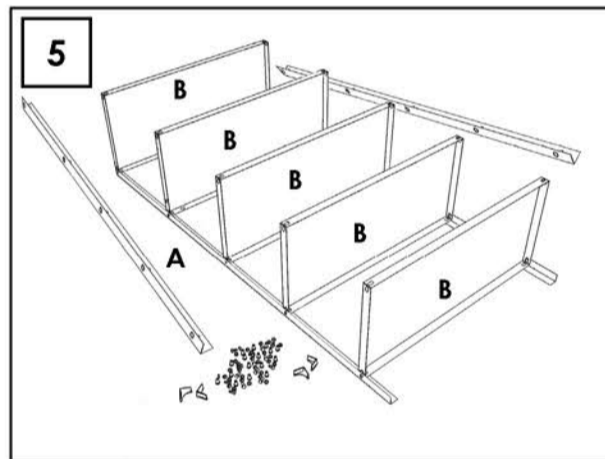
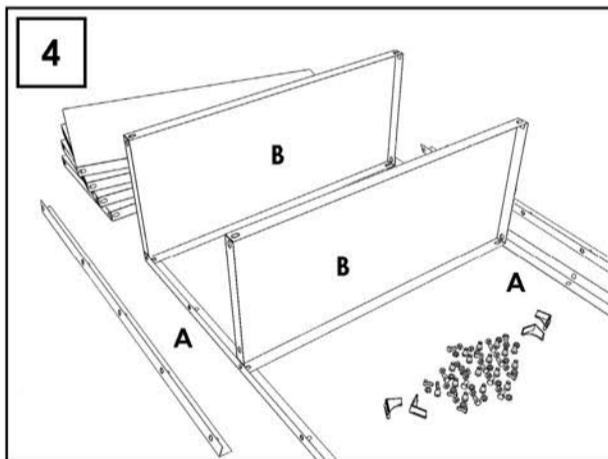
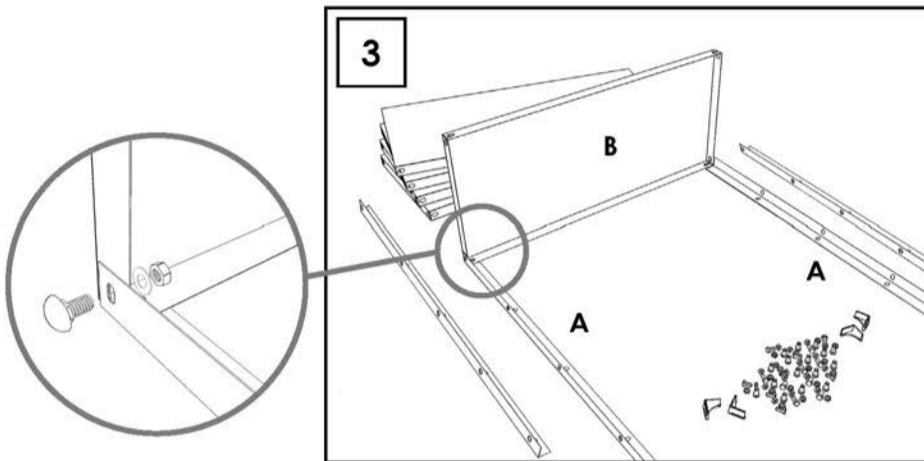
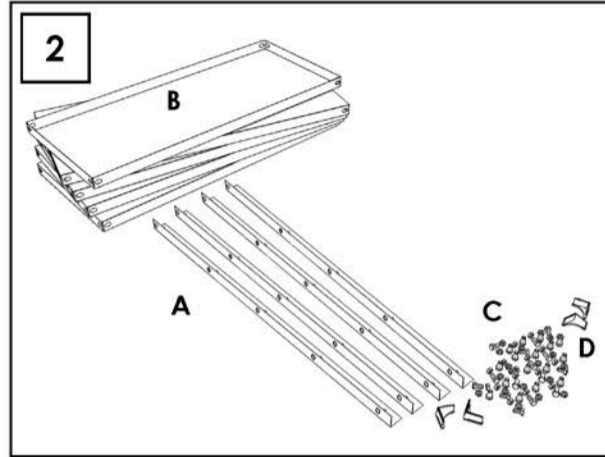
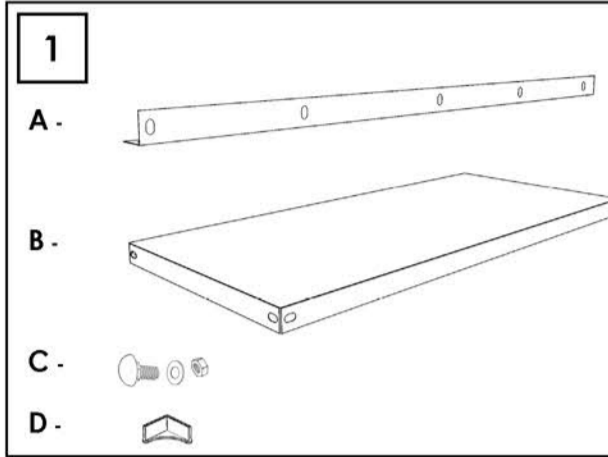
[www.simonrack.com](http://www.simonrack.com)



INSTRUCCIONES  
INSTRUCTIONS  
ANLEITUNG  
INSTRUCTIONS



### STANDARD MOUNTING



#### SIMONCLASSIC



#### SIMONCLICK



#### SIMONTALLER



#### SIMONAUTO



#### SIMONWORK



#### SIMONLOCKER



#### SIMONOFFICE



#### SIMONHOME



#### SIMONGARDEN



#### SIMONTITÁN



#### SIMONINOX



#### SIMONINDUSTRIAL



ALTILOS Y PASILLOS ELEVADOS  
PLATFORMS AND MEZZANINES  
LAGERBÜHNEN • PLATES-FORMES ET MEZZANINES



\* Kg / lb por bandeja con carga uniformemente repartida  
Kg / lb per shelf uniformly distributed load  
Kg / lb pro fach bei gleichmäßig verteilter Last  
Kg / lb par plateau avec charge uniformément répartie