

100 x 90 x 40 cm.

39.4" x 35.4" x 15.7"

kit officlick 3/400

additional module

Necessary Initial Module!!

5 years
SIMONRACK
GUARANTEE



600 kg
Total

2 x
100 cm
39.4"

6 x
90 cm
35.4"

2 x
40 cm
15.7"

3 x
90 x 40 cm
35.4" x 15.7"

4 x



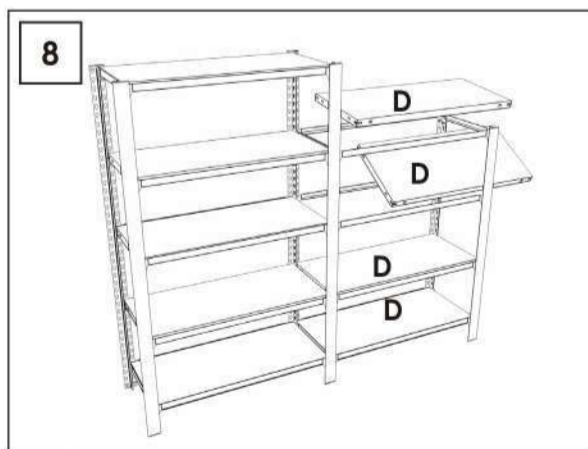
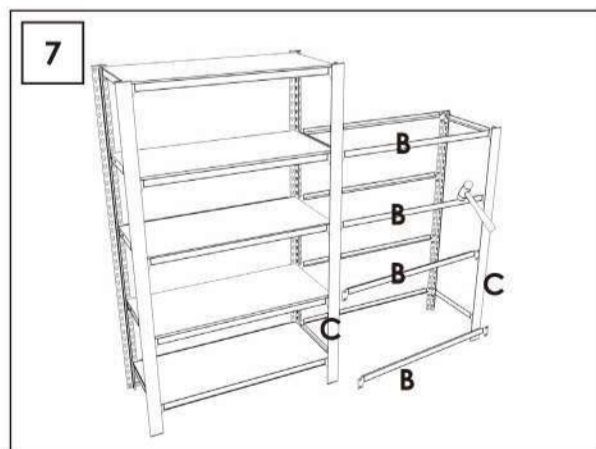
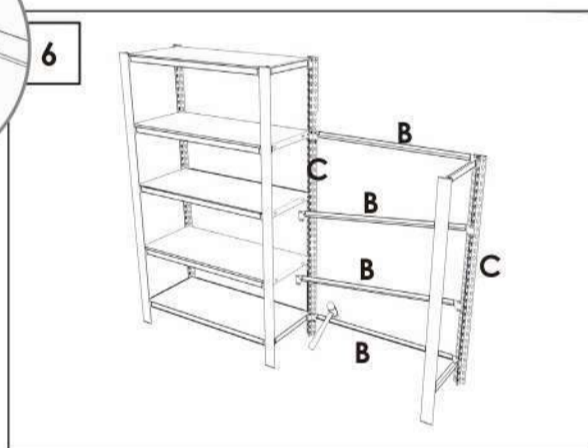
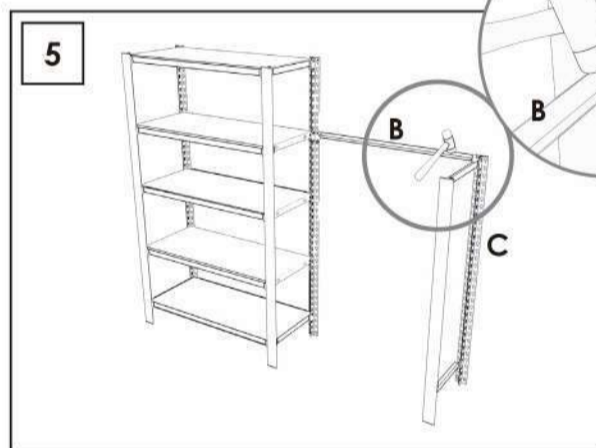
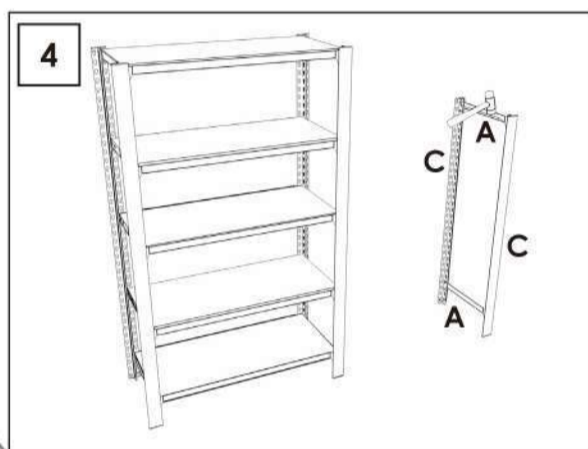
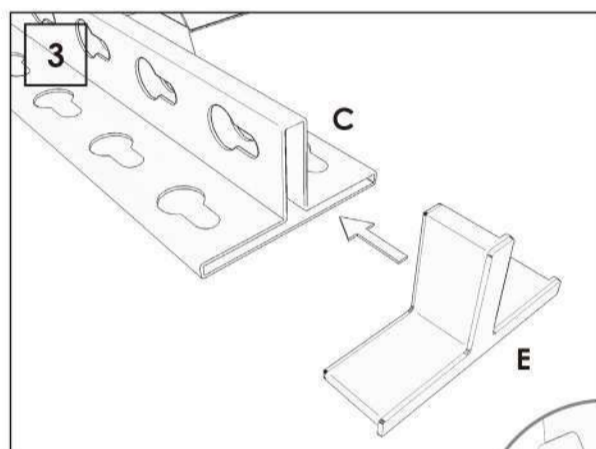
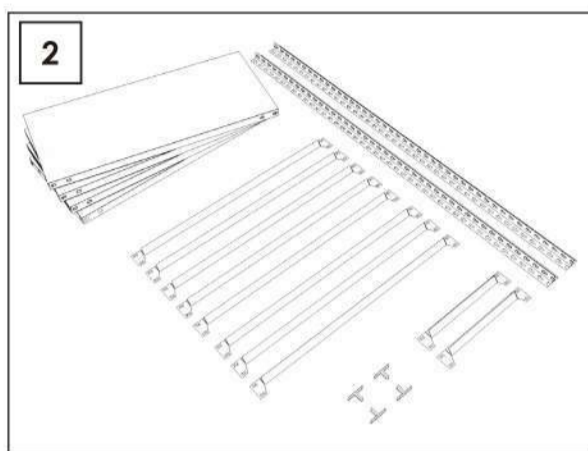
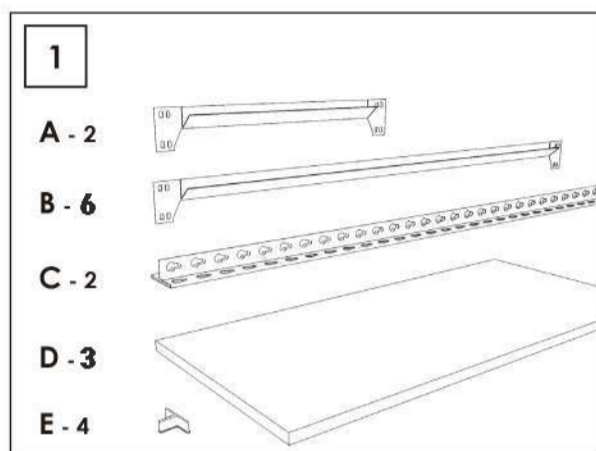
ESTANTERIAS SIMON S.L. B.50.556.463
PG. ALFAMEN C/ POLIGONO C, N°3
ALFAMEN (ZARAGOZA)



www.simonrack.com



INSTRUCTIONS



SIMONCLASSIC



SIMONCLICK



SIMONOFFICE



SIMONTALLER



**BANCOS DE TRABAJO
WORK BENCHES**



SIMONHOME



**TAQUILLAS
LOCKER**



SIMONTITÁN



SIMONINOX



SIMONPALET



SIMONLEVER



**ALTILLOS Y PASILLOS ELEVADOS
PLATFORMS AND MEZZANINES**

