

# SIMONWORK BT4 BOX 1200



**144,5 x 121 x 75 cm**  
**56.9" x 47.6" x 29.5"**

**5** Años Garantía  
 Years Guarantee  
 Jahre Garantie  
 Ans Garantie  
 Anos de Garantia  
**SIMONRACK**



144,5 cm (56.9")

75 cm (29.5")

121 cm (47.6")



30 cm (11.8")

60 cm (23.6")

84,2 cm (33.1")

MDF  
 1,6 cm (0.6")

P/50:  
 5 cm (2.0")



- |                        |                       |                        |  |                                 |                        |                              |                          |                                 |     |
|------------------------|-----------------------|------------------------|--|---------------------------------|------------------------|------------------------------|--------------------------|---------------------------------|-----|
| 2 x<br>56 cm<br>22.0"  | 2 x<br>84 cm<br>33.1" | 2 x<br>144 cm<br>56.7" | 1 x<br>MDF<br>75x120 cm<br>29.5"x47.2" | 1 x<br>40x120 cm<br>15.7"x47.2" | 3 x<br>120 cm<br>47.2" | 4 x<br>2 x<br>75 cm<br>29.5" | 2 x<br>30 cm<br>11.8"    | 1 x<br>120x30 cm<br>47.2"x11.8" | 8 x |
| 1 x<br>120 cm<br>47.2" | 1 x<br>75 cm<br>29.5" | 2 x<br>30 cm<br>11.8"  | 1 x<br>120 cm<br>47.2"                 | 2 x<br>75 cm<br>29.5"           | 2 x<br>58 cm<br>22.8"  | 1 x<br>35 kg<br>(80 lb)      | 56x107 cm<br>22.0"x42.1" |                                 |     |



PRECAUCIÓN  
 PRODUCTO PESADO  
 ATTENTION  
 HEAVY PRODUCT  
 ACHTUNG!  
 SCHWERES PRODUKT  
 ATTENTION  
 PRODUCT LOUD



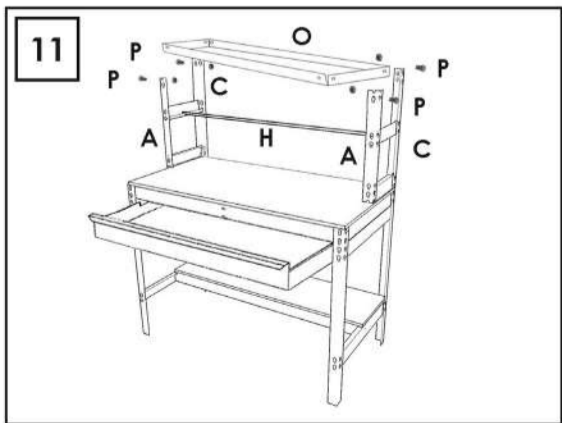
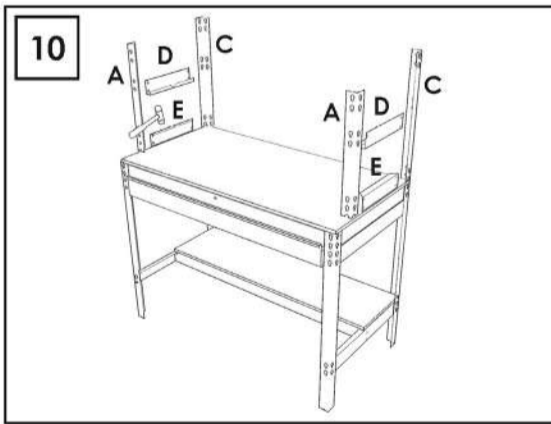
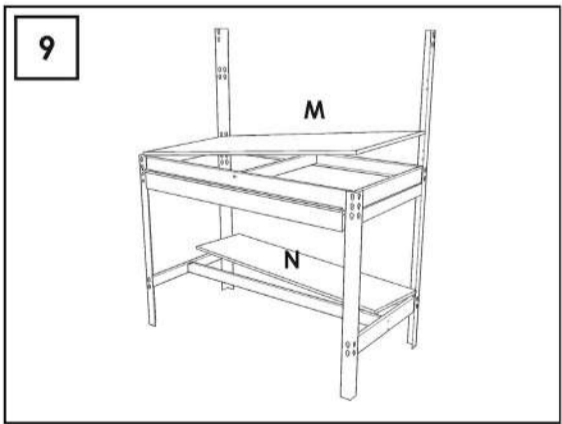
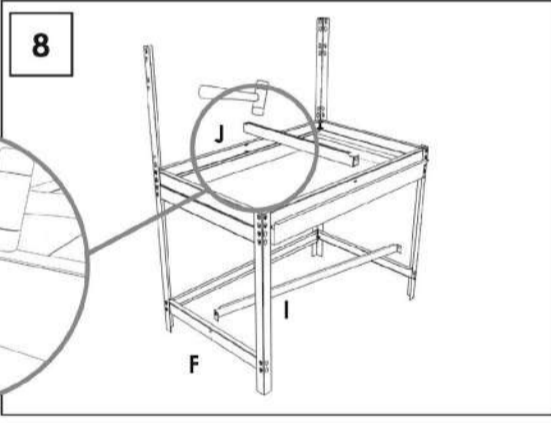
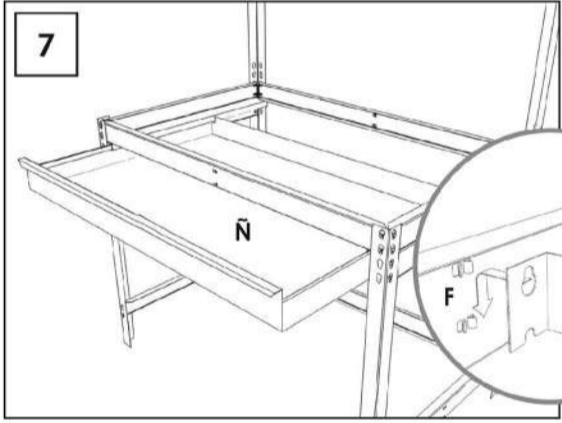
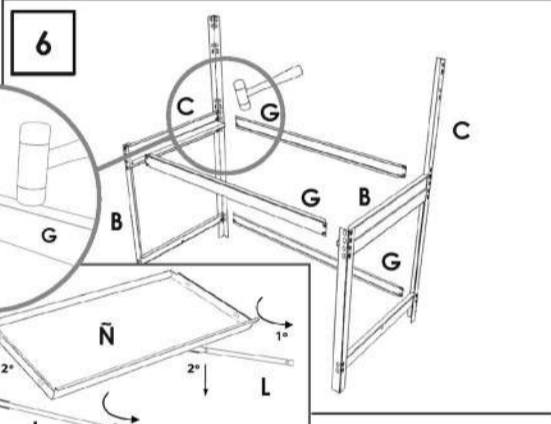
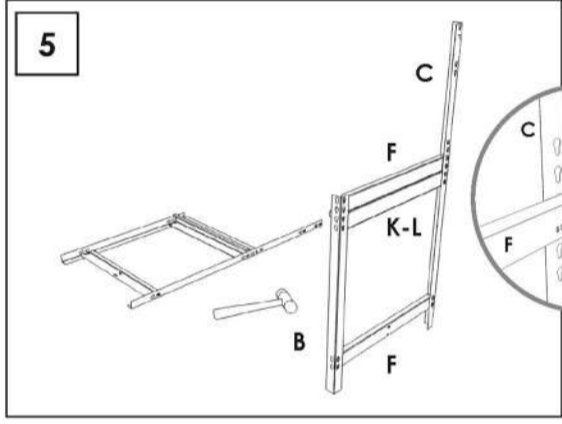
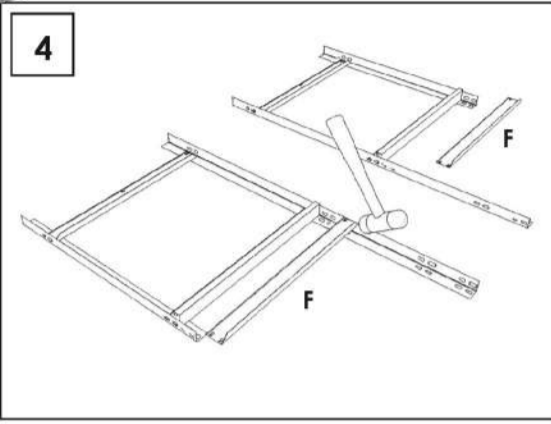
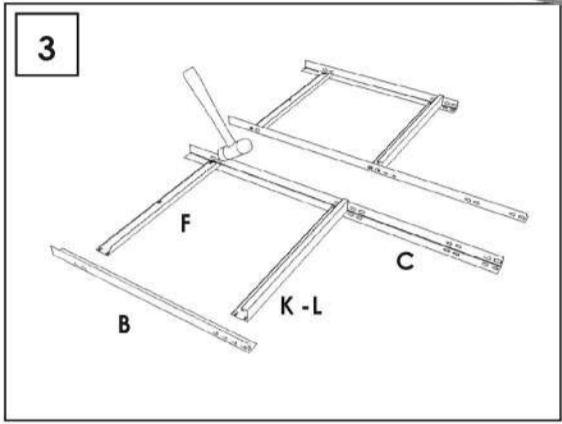
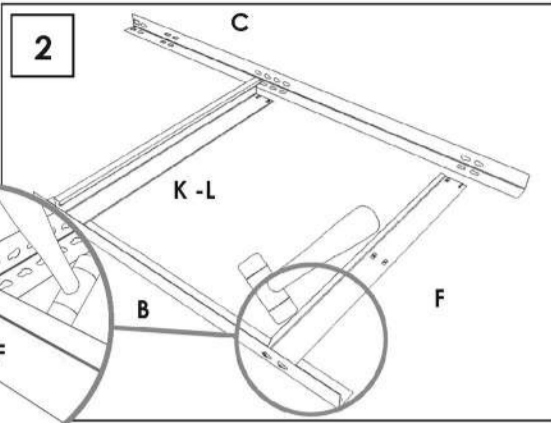
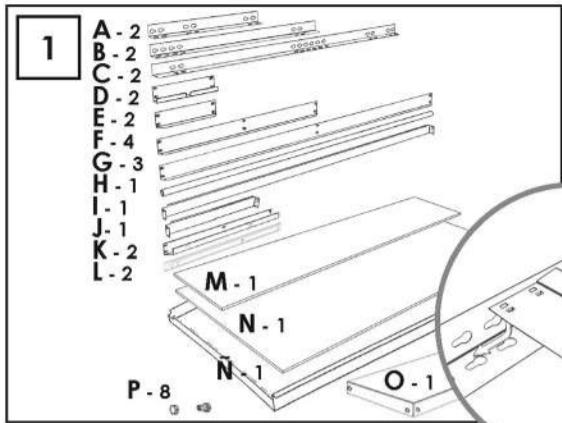
ESTANTERIAS SIMON S.L. B.50.556.463  
 PG. ALFAMEN C/ POLIGONO C. Nº3  
 ALFAMEN (ZARAGOZA)



[www.simonrack.com](http://www.simonrack.com)



INSTRUCCIONES  
 INSTRUCTIONS  
 ANLEITUNG  
 INSTRUCTIONS



**SIMONCLASSIC**



**SIMONCLICK**



**SIMONTALLER**



**SIMONAUTO**



**SIMONWORK**



**SIMONLOCKER**



**SIMONOFFICE**



**SIMONHOME**



**SIMONGARDEN**



**SIMONTITÁN**



**SIMONINOX**



**SIMONINDUSTRIAL**



ALTILLOS Y PASILLOS ELEVADOS  
PLATFORMS AND MEZZANINES  
LAGERBÜHNEN • PLATES-FORMES ET MEZZANINES



\* Kg / lb por bandeja con carga uniformemente repartida  
Kg / lb per shelf uniformly distributed load  
Kg / lb pro fach bei gleichmäßig verteilter Last  
Kg / lb par plateau avec charge uniformément répartie

