

200 x 130 x 30 cm

78.7" x 51.2" x 11.8"

KIT SIMONCORNER 10/300


5 Años Garantía
Years Guarantee
Jahre Garantie
Ans Garantie
SIMONRACK




400 kg
(882 lb)
Total




- 14 x**




100 cm
39.4"
- 10 x**




100x30 cm
39.4"x11.8"
- 15 x**




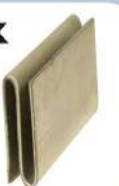
100 cm
39.4"
- 11 x**




30 cm
11.8"
- 2 x**


- 1 x**


- 5 x**


- 7 x**





Simon
Rack
SINCE 1964 - MANUFACTURER

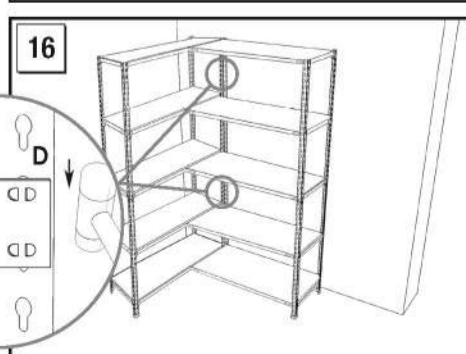
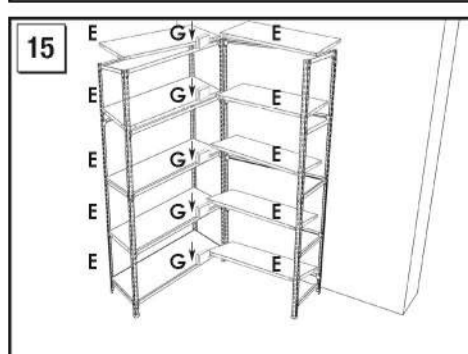
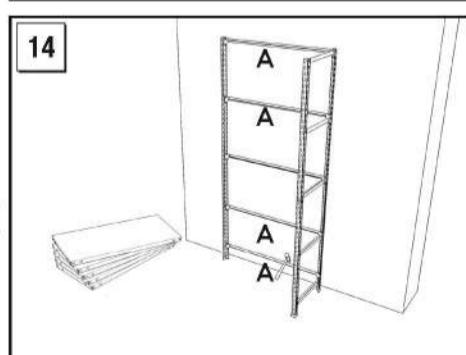
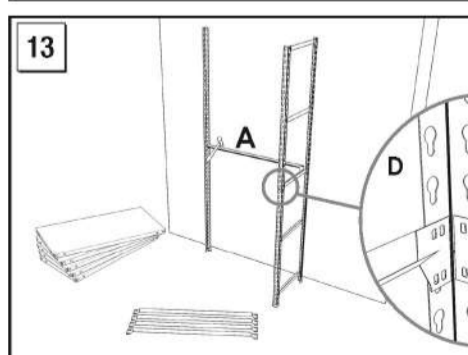
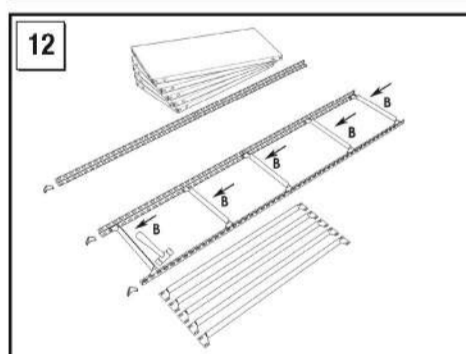
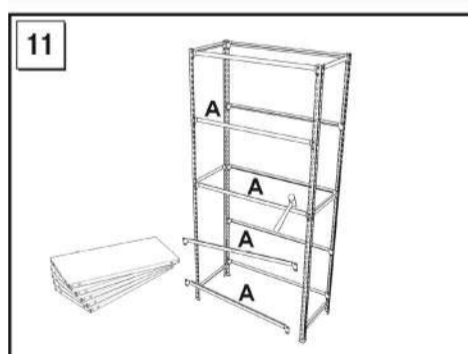
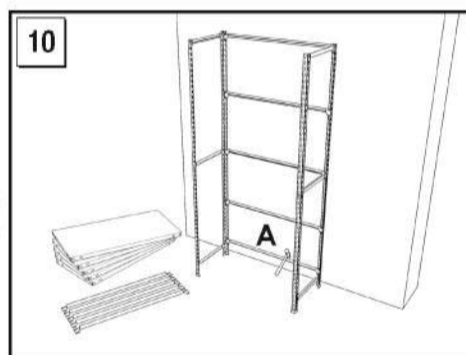
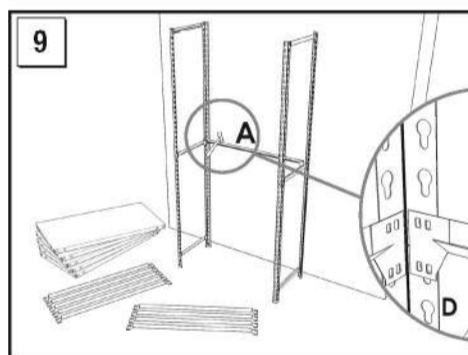
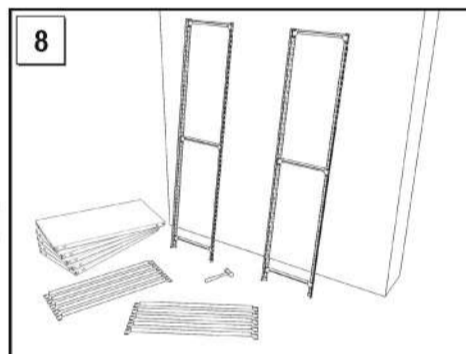
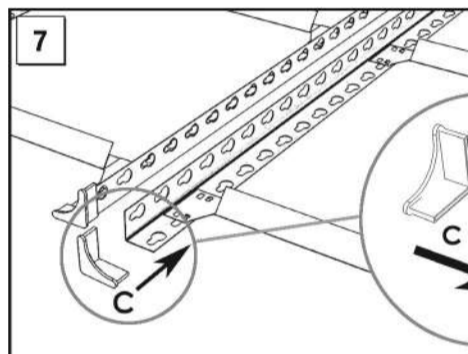
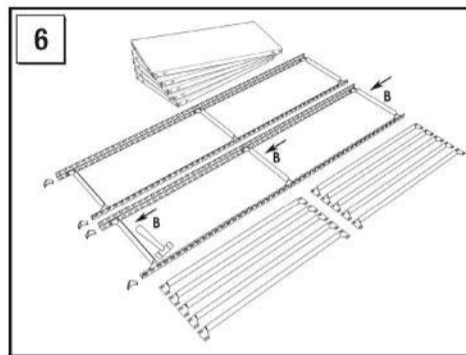
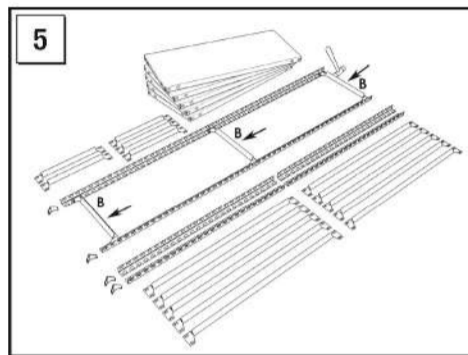
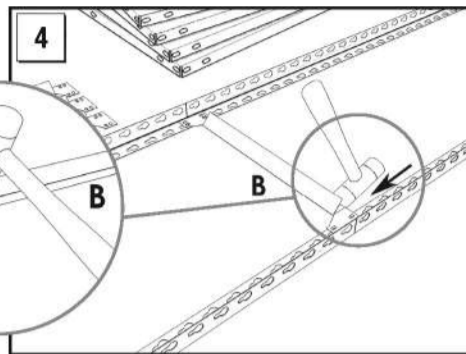
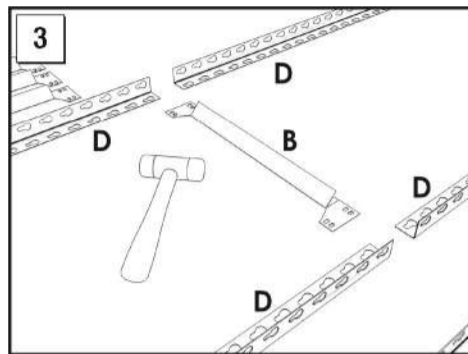
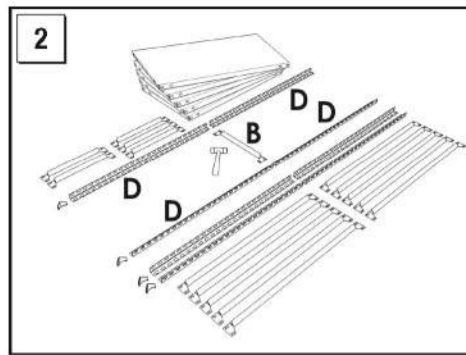
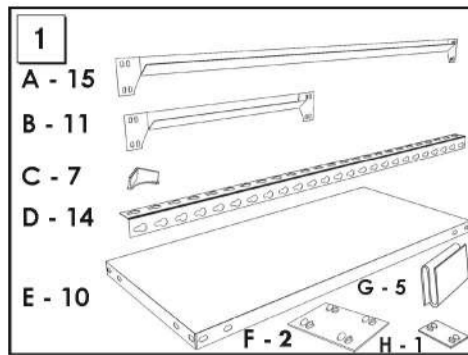
ESTANTERIAS SIMON S.L. B.50.556.463
PG. ALFAMEN C/ POLIGONO C, N°3
ALFAMEN (ZARAGOZA)



www.simonrack.com



INSTRUCCIONES
INSTRUCTIONS
ANLEITUNG
INSTRUCTIONS



SIMONCLASSIC



SIMONCLICK



SIMONTALLER



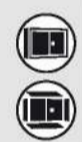
SIMONAUTO



SIMONWORK



SIMONLOCKER



SIMONOFFICE



SIMONHOME



SIMONGARDEN



SIMONTITÁN



SIMONINOX



SIMONINDUSTRIAL



ALTILLOS Y PASILLOS ELEVADOS
PLATFORMS AND MEZZANINES
LAGERBÜHNEN • PLATES-FORMES ET MEZZANINES



* Kg / lb per bandeja con carga uniformemente repartida
Kg / lb per shelf uniformly distributed load
Kg / lb pro fach bei gleichmäßig verteilter Last
Kg / lb par plateau avec charge uniformément répartie

