

HOMECLICK METAL

160 x 100 x 30 cm* (63.0"x39.4"x11.8")

KIT PLUS 4/300
Color

5 Años Garantía
Years Guarantee
Jahre Garantie
Ans Garantie
Anos de Garantia
SIMONRACK

600 kg
(1400 lb)
Total



160 cm (63.0")

30 cm (11.8")

100 cm (39.4")



*MEDIDAS EN USO: 1604 x 1004 x 304 mm
USED MEASUREMENTS: 63.15" x 39.53" x 11.97"



ESTANTERIAS SIMON S.L. B.50.556.463
PG. ALFAMEN C/ POLIGONO C, Nº3
ALFAMEN (ZARAGOZA)

Simon Rack
SINCE 1964 - MANUFACTURER

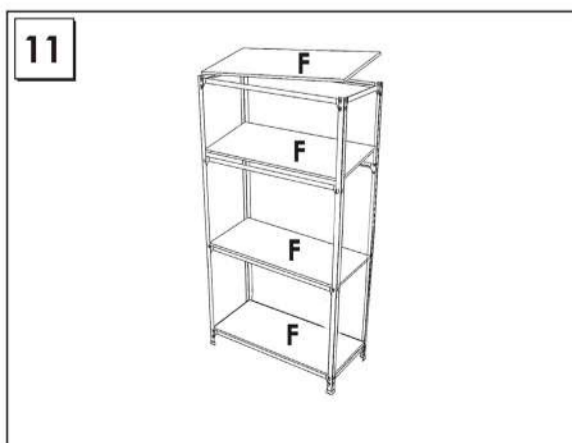
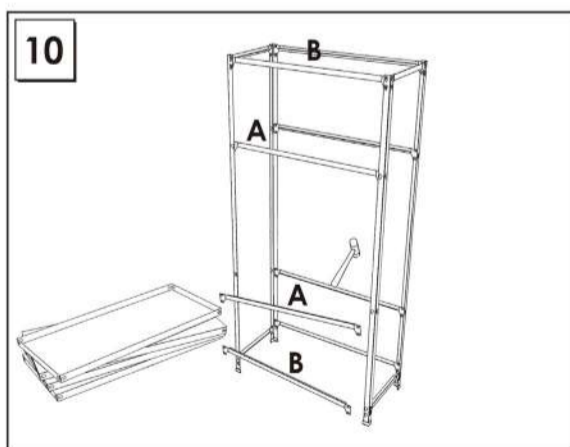
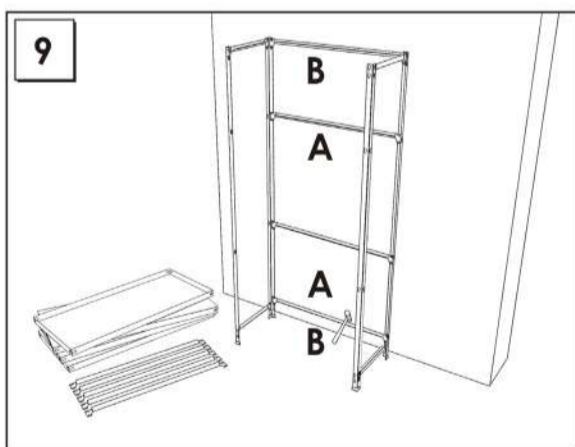
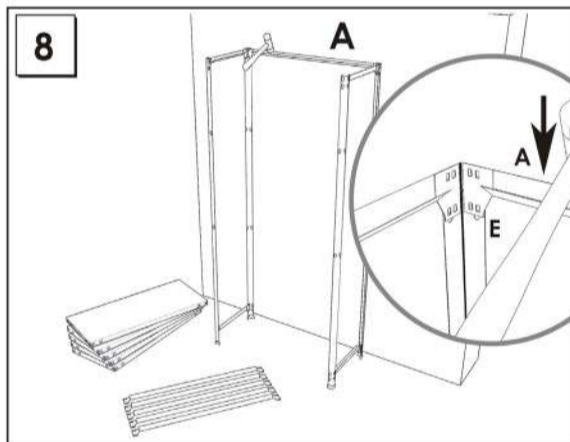
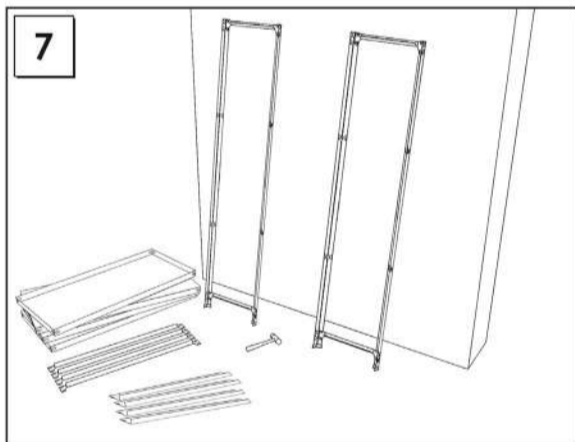
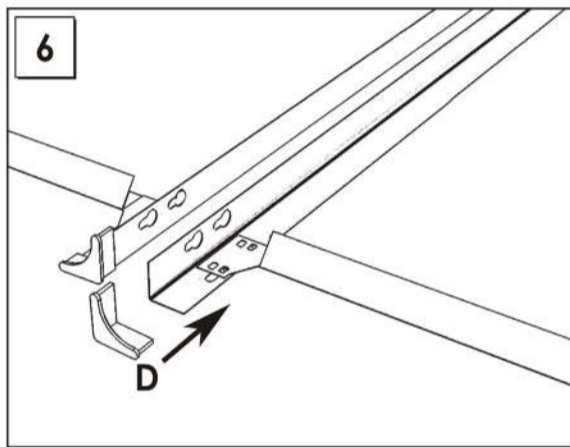
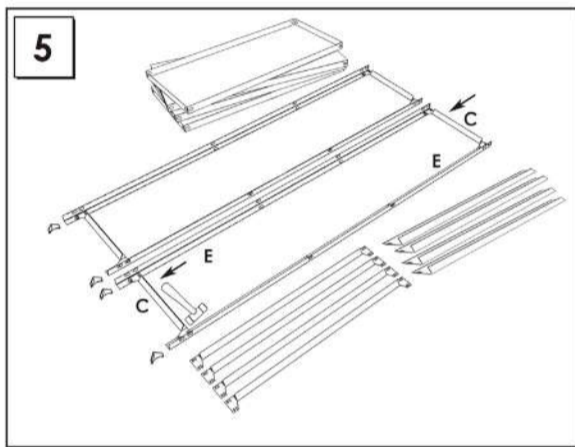
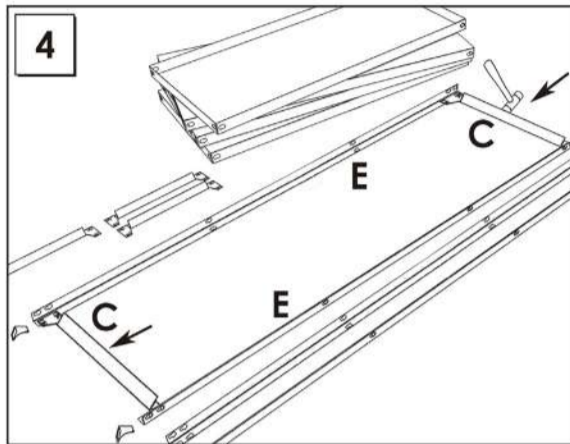
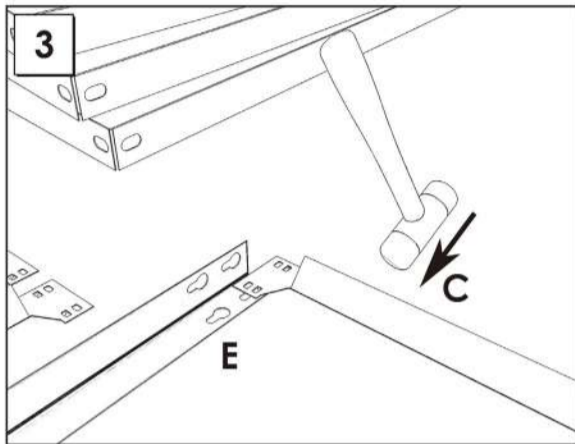
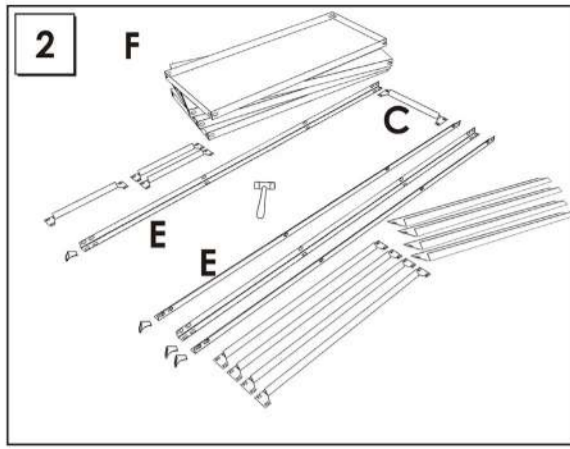
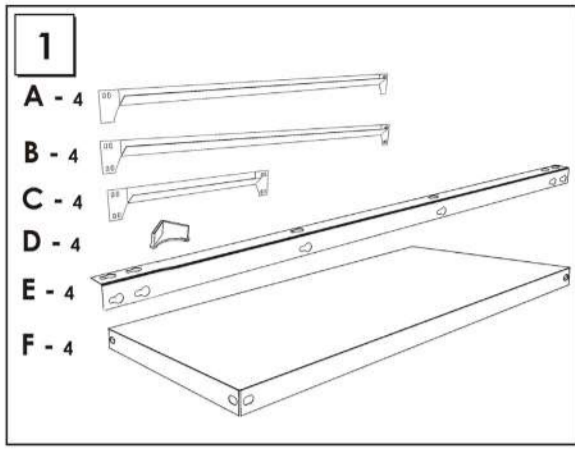
www.simonrack.com



www.simonrack.com



INSTRUCTIONS



SIMONCLASSIC



SIMONCLICK



SIMONOFFICE



SIMONTALLER



**BANCOS DE TRABAJO
WORK BENCHES**



SIMONHOME



**TAQUILLAS
LOCKER**



SIMONTITÁN



SIMONINOX



SIMONPALET



SIMONLEVER



**ALTILLOS Y PASILLOS ELEVADOS
PLATFORMS AND MEZZANINES**

