

200 x 110 x 50 cm*

78.7" x 43.3" x 19.7"

SIMONCLICK SUPERPLUS 5/500

5 Años Garantía
Years Guarantee
Jahre Garantie
Ans Garantie
Anos de Garantia

SIMONRACK



*MIDAS EN USO: 1979 x 1111 x 510 mm
USED MEASUREMENTS: 77.91" x 43.74" x 20.08"



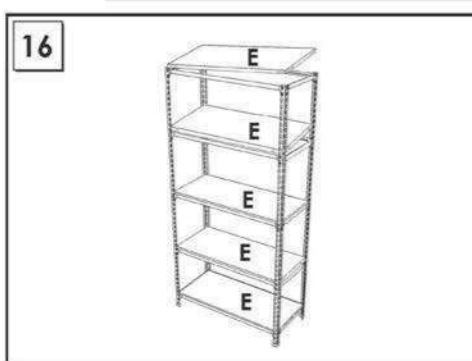
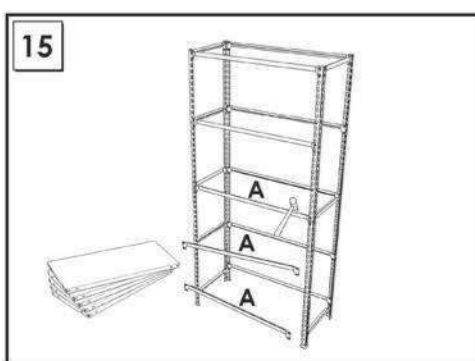
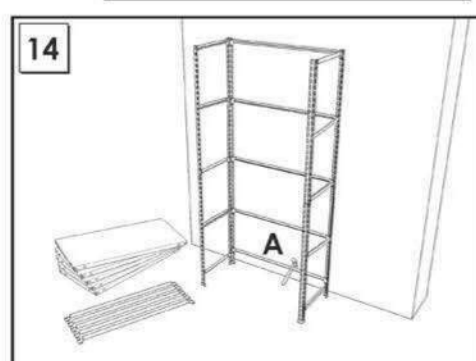
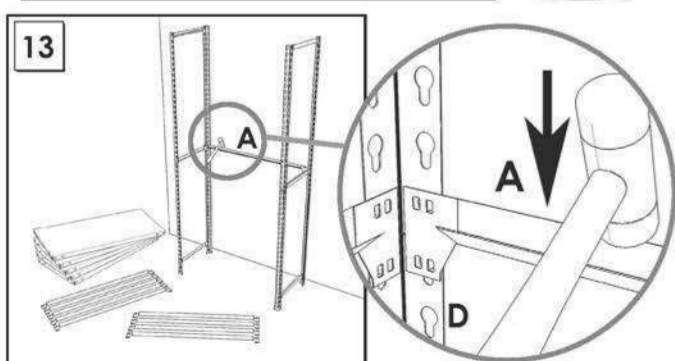
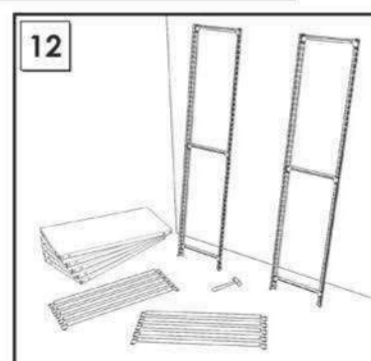
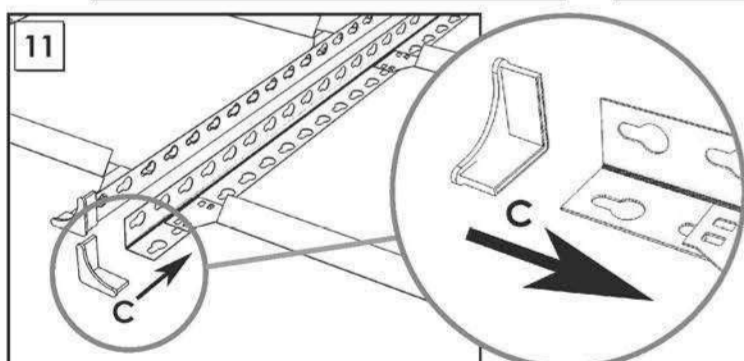
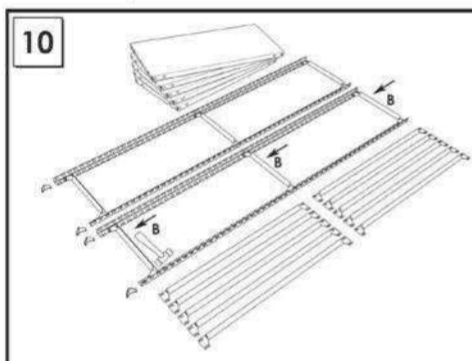
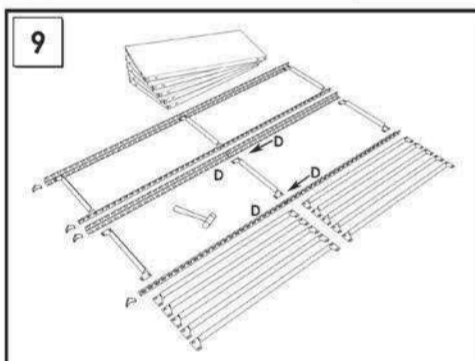
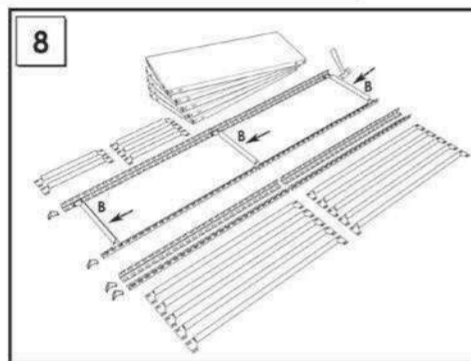
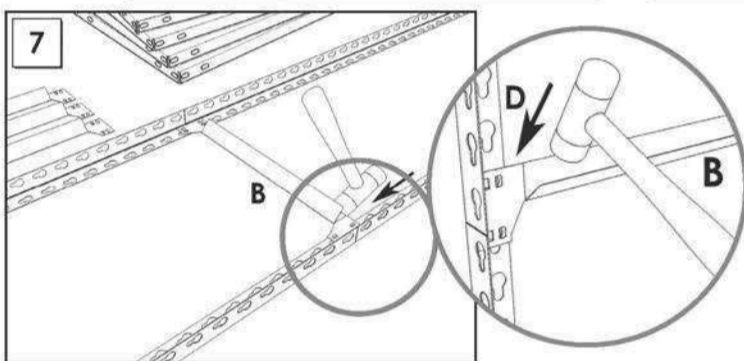
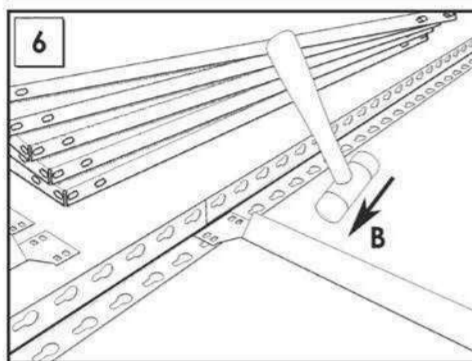
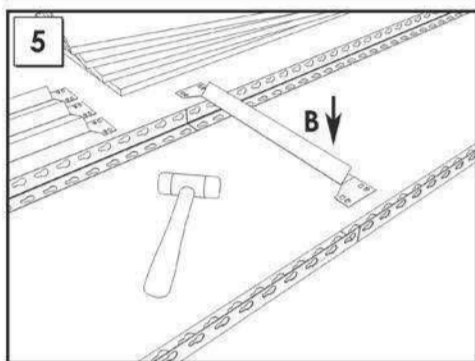
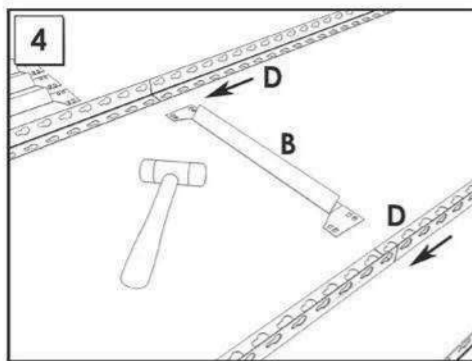
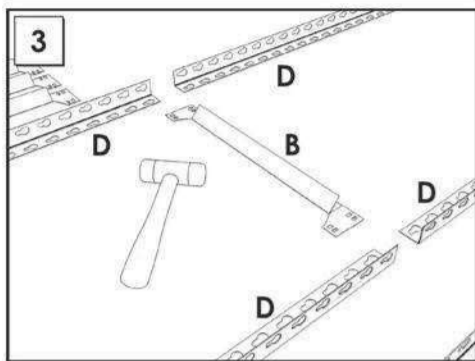
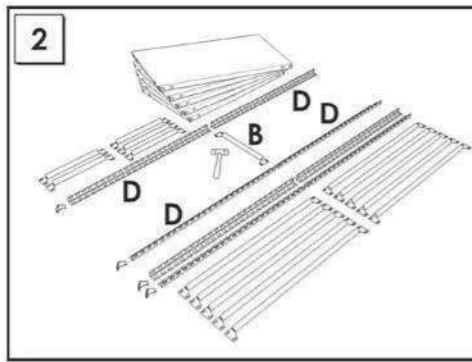
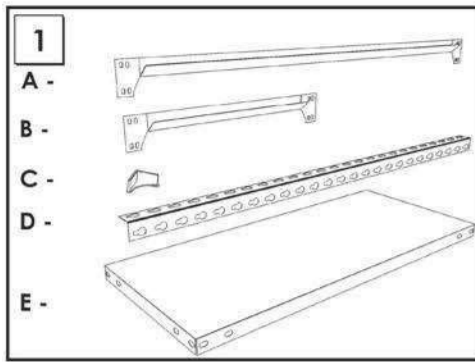
ESTANTERIAS SIMON S.L. B.50.556.463
PG. ALFAMEN C/ POLIGONO C, Nº3
ALFAMEN (ZARAGOZA)



www.simonrack.com



INSTRUCTIONS



On-line instructions: www.instructionsrack.com/simonclick

SIMONCLASSIC

BOLTS SYSTEM

Up to
150 Kg
(331 lb)
Kg/Shelf
Uniformly Distributed Load



SIMONCLICK

NO BOLTS SYSTEM

Up to
400 Kg
(882 lb)
Kg/Shelf
Uniformly Distributed Load



SIMONOFFICE

NO BOLTS SYSTEM

Up to
275 Kg
(606 lb)
Kg/Shelf
Uniformly Distributed Load



SIMONTALLER

NO BOLTS SYSTEM

Up to
700 Kg
(1543 lb)
Kg/Shelf
Uniformly Distributed Load



BANCOS DE TRABAJO WORK BENCHES

Up to
800 Kg
(1764 lb)
Kg/Shelf
Uniformly Distributed Load



SIMONHOME

Up to
150 Kg
(331 lb)
Kg/Shelf
Uniformly Distributed Load



TAQUILLAS LOCKER



SIMONTITÁN

NO BOLTS SYSTEM

Up to
900 Kg
(1984 lb)
Kg/Shelf
Uniformly Distributed Load



SIMONINOX

NO BOLTS SYSTEM

Up to
900 Kg
(1984 lb)
Kg/Shelf
Uniformly Distributed Load



SIMONPALET

Up to
4500 Kg
(9921 lb)
Kg/Shelf
Uniformly Distributed Load



SIMONLEVER

Up to
4500 Kg
(9921 lb)
Kg/Shelf
Uniformly Distributed Load



ALTILLOS Y PASILLOS ELEVADOS PLATFORMS AND MEZZANINES

