

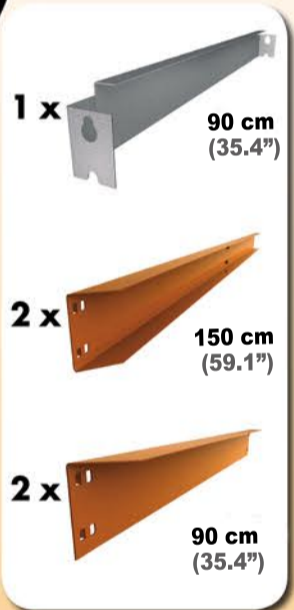
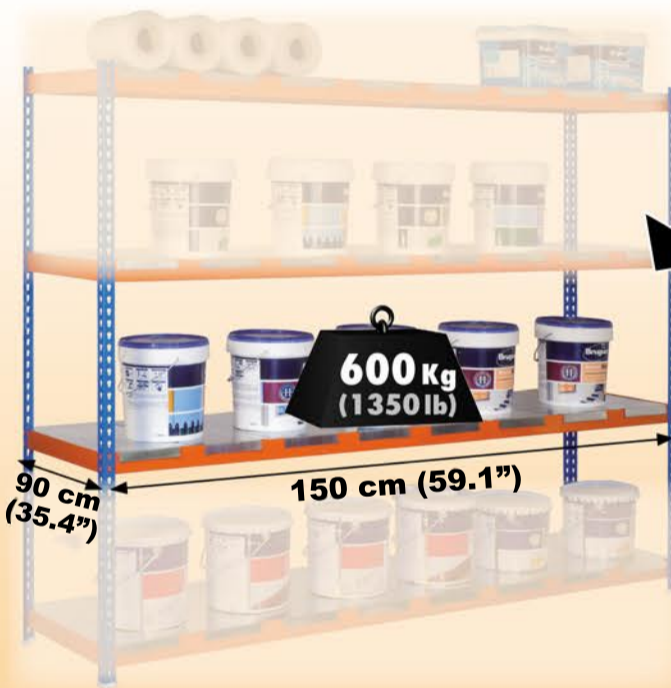
SIMONFORTE EA 1509 *Metal*

Additional Shelf

150 x 90 cm
59.1" x 35.4"

**KIT
2/2**

5 Años Garantía
Years Guarantee
Jahre Garantie
Anos de Garantia
SIMONRACK



On-line instructions: www.instructionsrack.com/simontaller



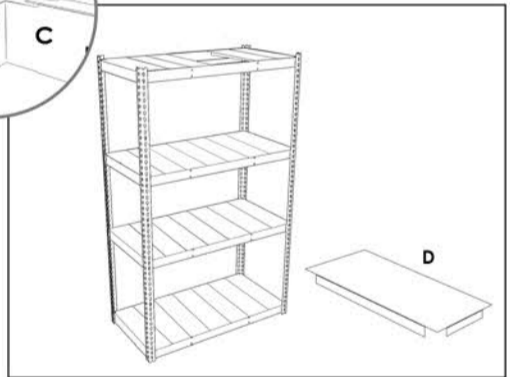
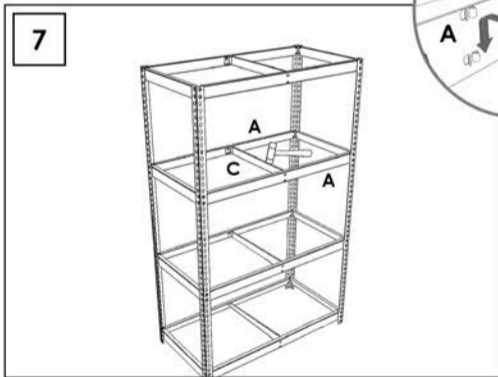
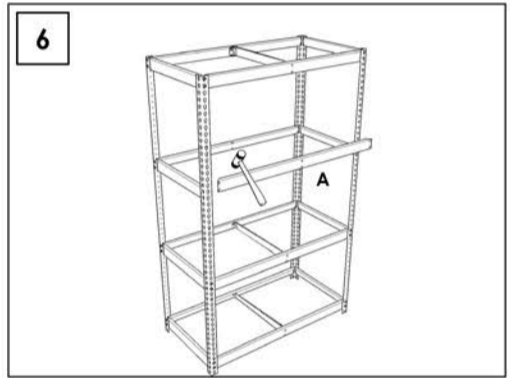
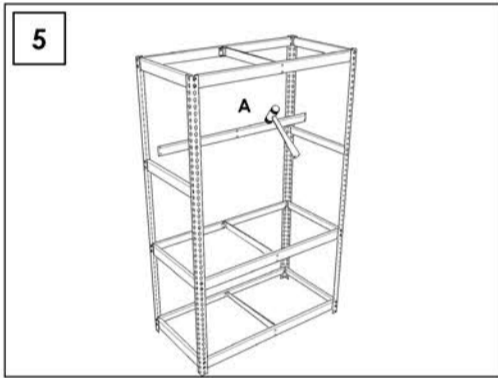
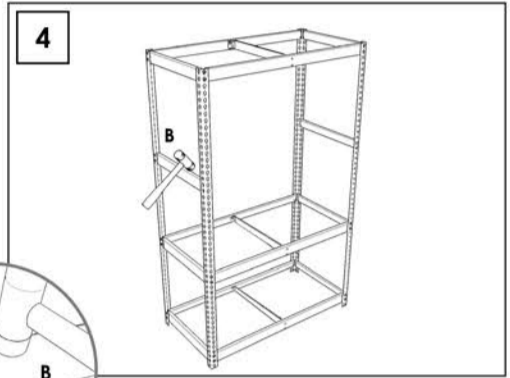
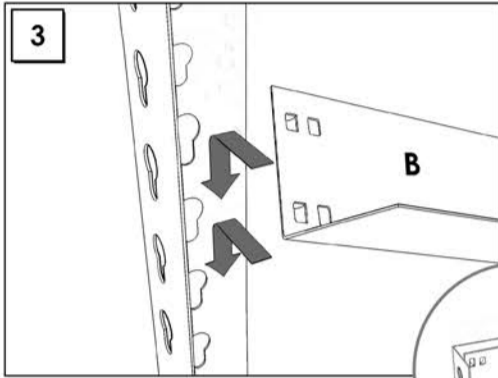
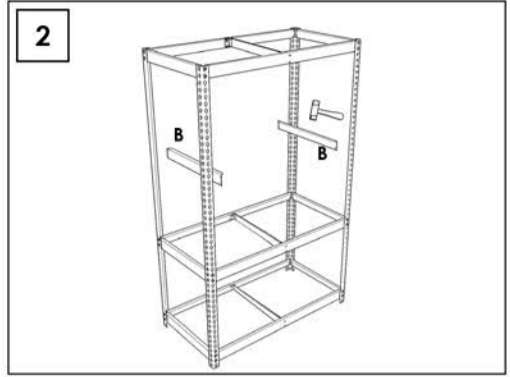
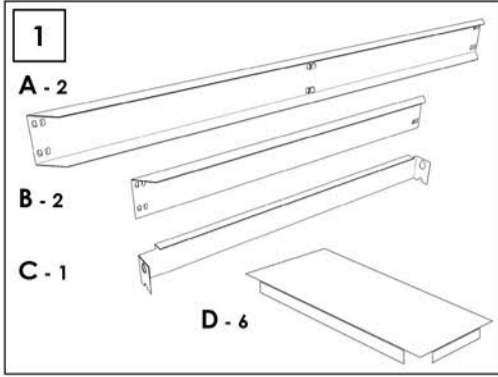
ESTANTERIAS SIMON S.L. B.50.556.463
PG. ALFAMEN C/ POLIGONO C. N°3
ALFAMEN (ZARAGOZA)



www.simonrack.com



INSTRUCTIONS



On-line instructions: www.instructionsrack.com/simontaller

www.simonrack.com • www.simonrack.com • www.simonrack.com • www.simonrack.com

SIMONCLASSIC



SIMONCLICK



OFFCLICK



SIMONTALLER



BANCOS DE TRABAJO WORK BENCHES



ALTILLOS Y PASILLOS ELEVADOS PLATFORMS AND MEZZANINES



SIMONHOME



TAQUILLAS LOCKER



SIMONINOX



SIMONTITÁN



SIMONPALET



SIMONLEVER

