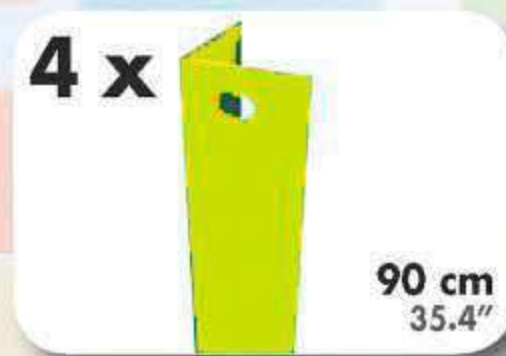


# HOMECLASSIC *Color*

90 x 80 x 30 m\* (35.4"x31.5"x11.8")

## KIT MINI 3/300

**5** Años Garantía  
Years Guarantee  
Jahre Garantie  
Ans Garantie  
Anos de Garantia  
**SIMONRACK**



**Simon  
Rack**  
SINCE 1964 - MANUFACTURER

\*MEDIDAS REALES: 902 x 814 x 314 mm  
USED MEASUREMENTS: 35.5" x 32.05" x 12.30"



ESTANTERIAS SIMON S.L. B. 50.556.463  
PG. ALFAMEN C/ POLIGONO C, Nº3  
ALFAMEN (ZARAGOZA)

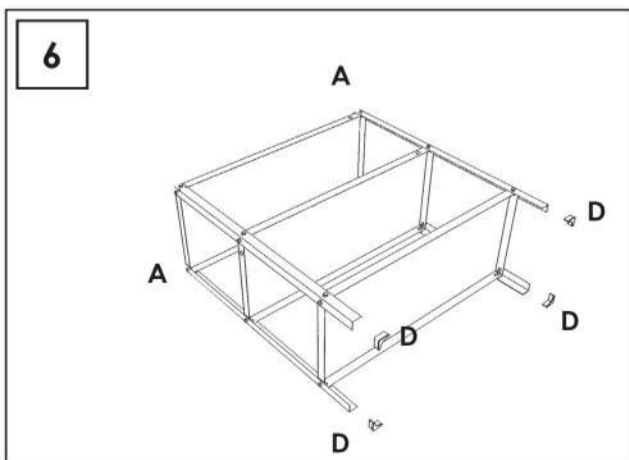
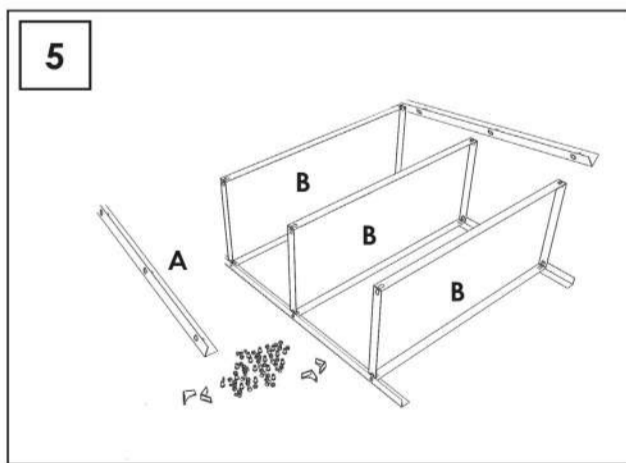
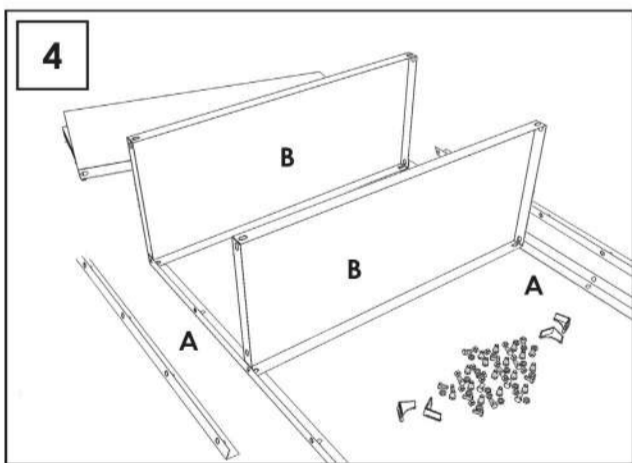
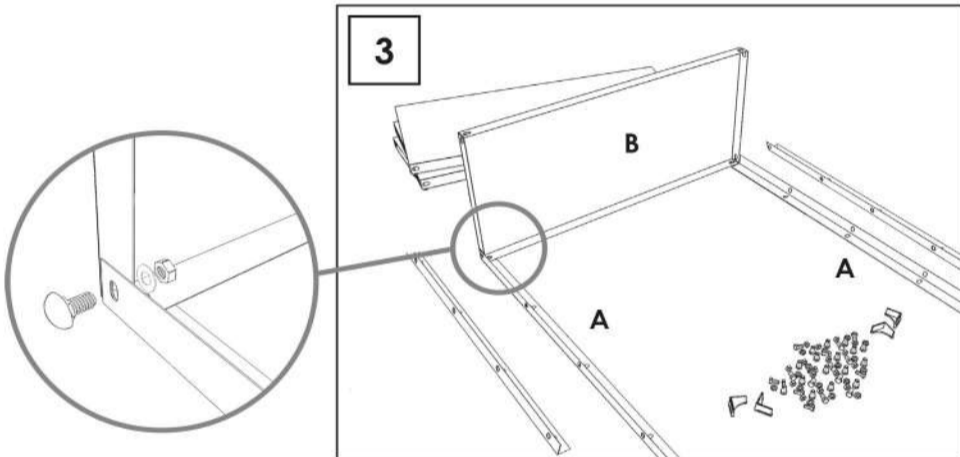
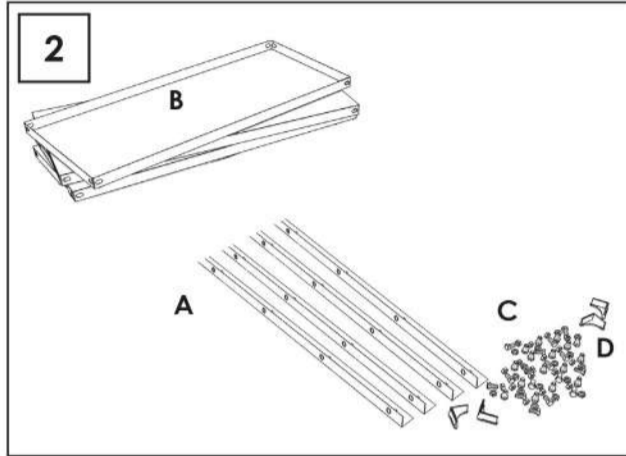
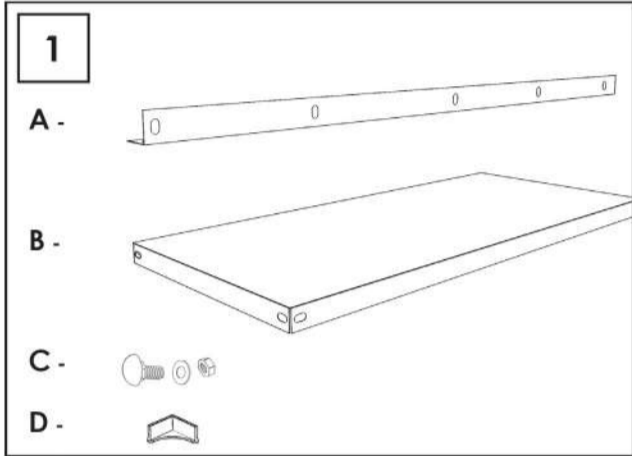


[www.simonrack.com](http://www.simonrack.com)



INSTRUCCIONES  
INSTRUCTIONS  
ANLEITUNG  
INSTRUCTIONS

### STANDARD MOUNTING



[www.simonrack.com](http://www.simonrack.com)

#### SIMONCLASSIC



#### SIMONCLICK



#### SIMONOFFICE



#### SIMONTALLER



#### BANCOS DE TRABAJO



#### SIMONHOME



#### TAQUILLAS



#### SIMONTITÁN



#### SIMONINOX



#### SIMONPALET



#### SIMONLEVER



#### ALTILLOS Y PASILLOS ELEVADOS

