

# HOMECLICK METAL

90 x 100 x 30 cm\* (35.4"x39.4"x11.8")

**KIT PLUS 3/300**  
*Color*

**5** Años Garantía  
Years Guarantee  
Jahre Garantie  
Ans Garantie  
Anos de Garantia  
**SIMONRACK**



**450 kg**  
(1000 lb)  
**Total**



\*MEDIDAS EN USO: 904 x 1004 x 304 mm  
USED MEASUREMENTS: 35.59"x 39.53"x 11.97"



ESTANTERIAS SIMON S.L. B.50.556.463  
PG. ALFAMEN C/ POLIGONO C, Nº3  
ALFAMEN (ZARAGOZA)

**Simon**  
**Rack**  
SINCE 1964 - MANUFACTURER

www.simonrack.com



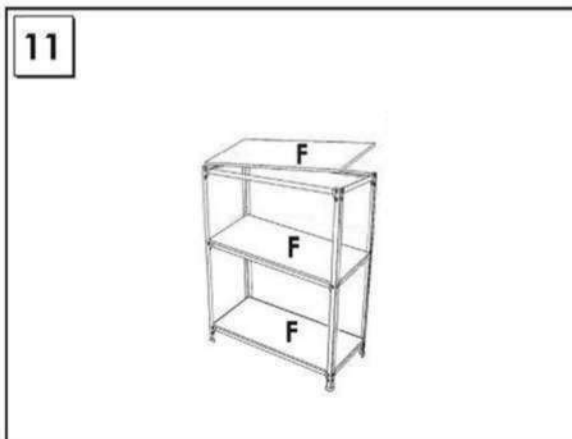
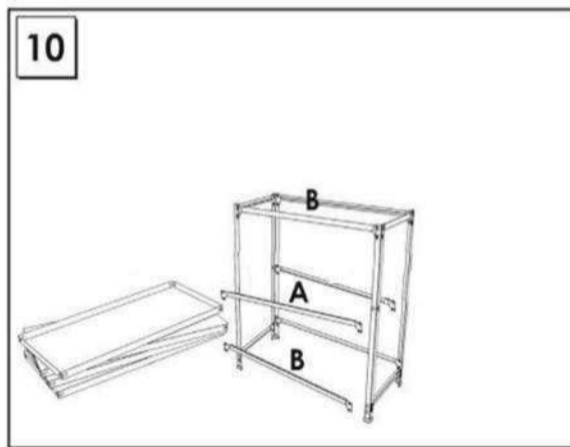
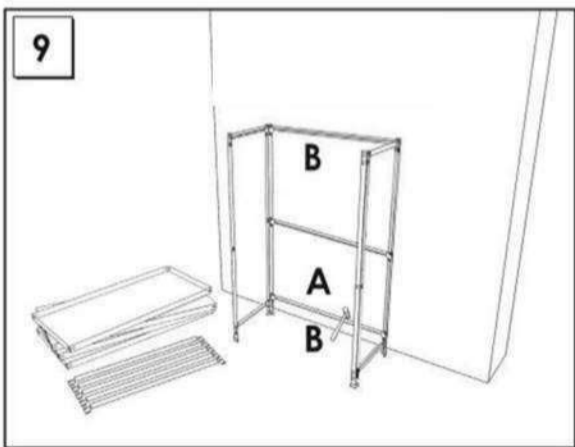
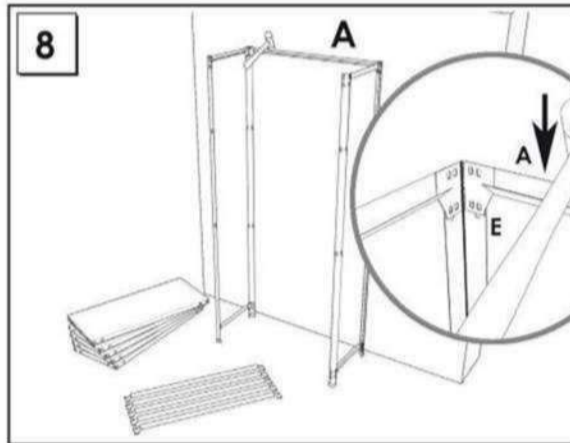
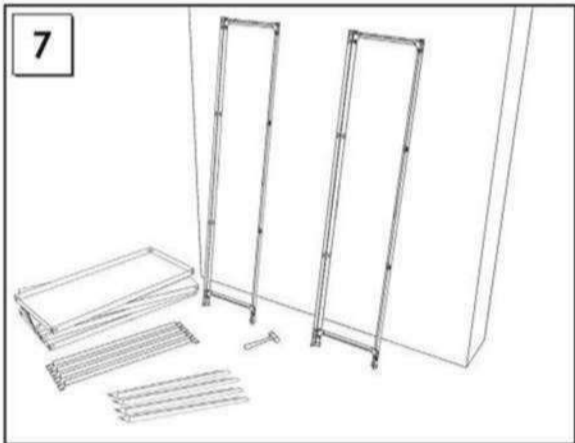
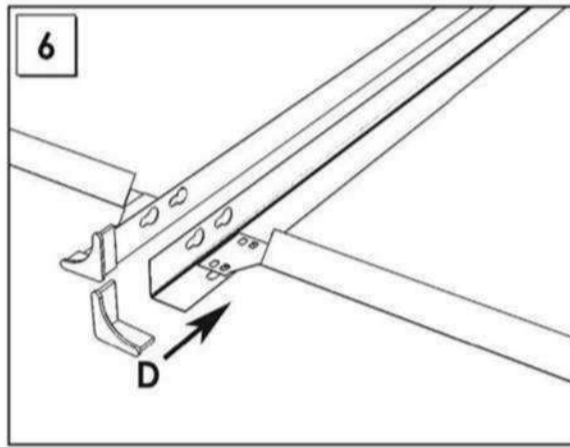
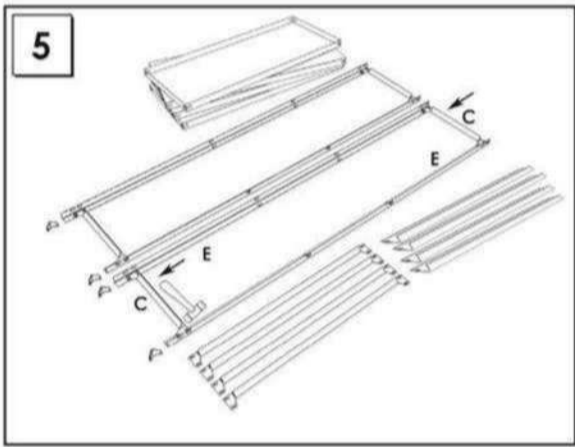
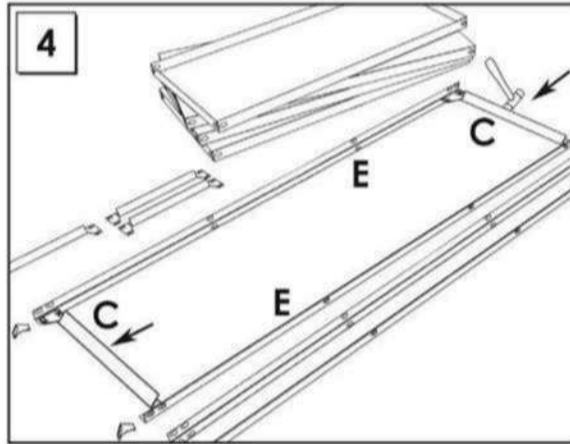
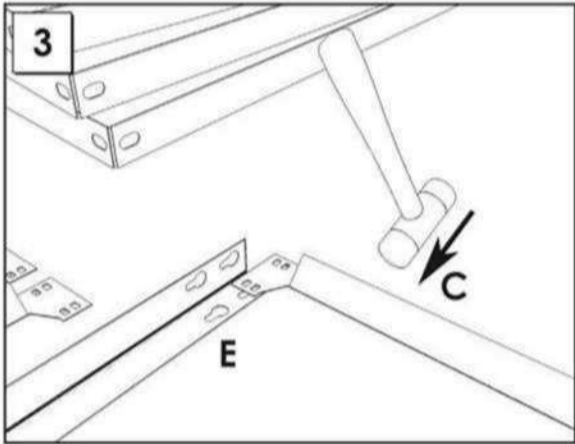
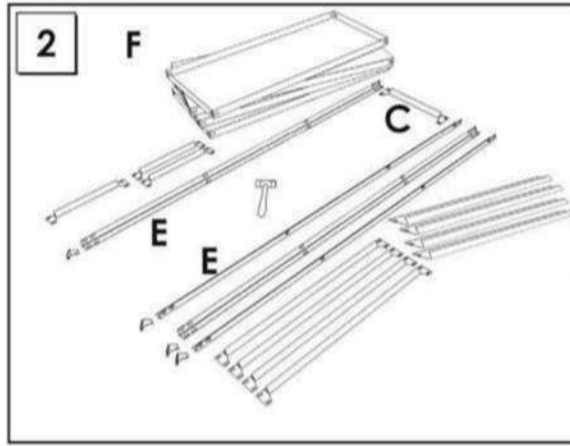
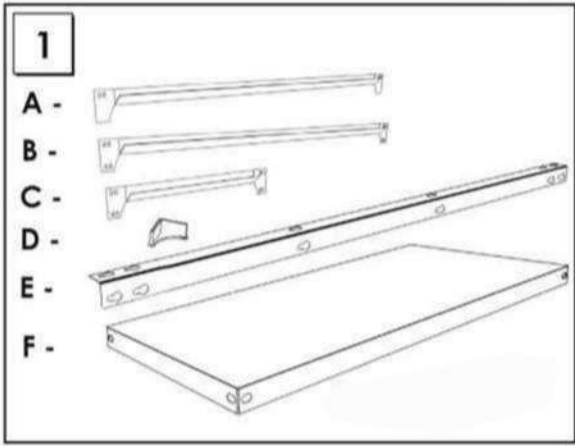
www.simonrack.com



INSTRUCTIONS



STANDARD MOUNTING



**SIMONCLASSIC**



**SIMONCLICK**



**SIMONOFFICE**



**SIMONTALLER**



**BANCOS DE TRABAJO  
WORK BENCHES**



**SIMONHOME**



**TAGUILLAS  
LOCKER**



**SIMONTITÁN**



**SIMONINOX**



**SIMONPALET**



**SIMONLEVER**



**ALTILLOS Y PASILLOS ELEVADOS  
PLATFORMS AND MEZZANINES**

