

157.5 x 90 x 40 cm

62" x 35.4" x 15.8"

SIMONCLICK MOBILE 4/400

5 Años Garantía
Years Guarantee
Jahre Garantie
Ans Garantie
Anos de Garantia
SIMONRACK



157.5 cm (62")

40 cm (15.8")

90 cm (35.4")

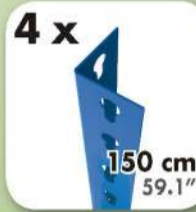
75 kg (165 lb)

75 kg (165 lb)

75 kg (165 lb)

75 kg (165 lb)

120 kg (265 lb) Total



Carga uniformemente repartida
Evenly distributed load
Gleichmäßig verteilte Last
Charge uniformément répartie
Carga uniformemente distribuida



*MEDIDAS EN USO • USED MEASUREMENTS
MASSNAHMEN IM EINSATZ • MESURES EN EMPLOI:
1481 x 911 x 410 mm (58.31" x 35.87" x 16.14")



ESTANTERIAS SIMON S.L. B.50.556.463
PG. ALFAMEN C/ POLIGONO C, Nº3
ALFAMEN (ZARAGOZA)



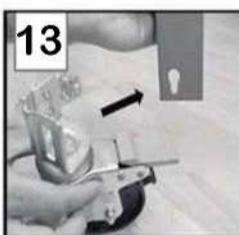
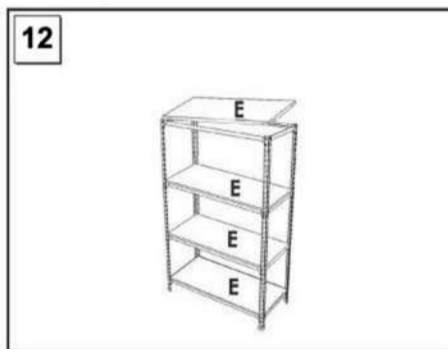
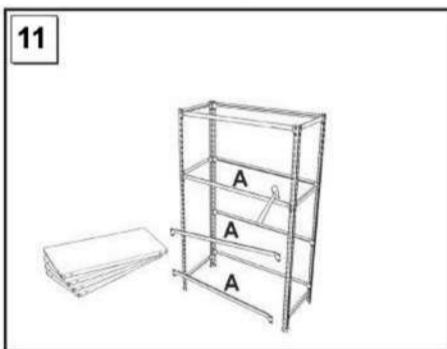
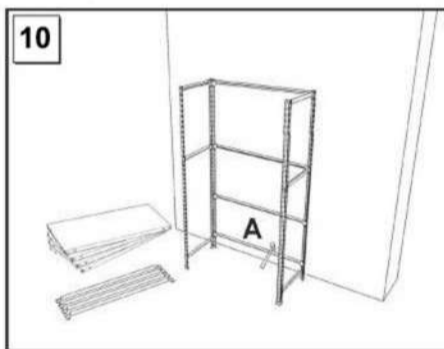
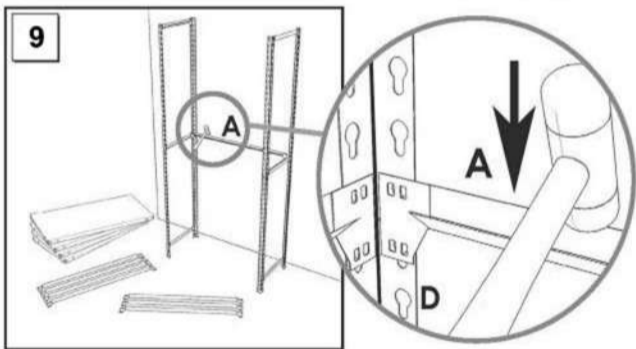
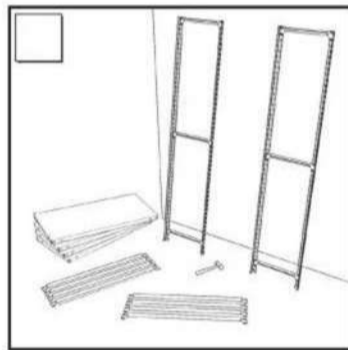
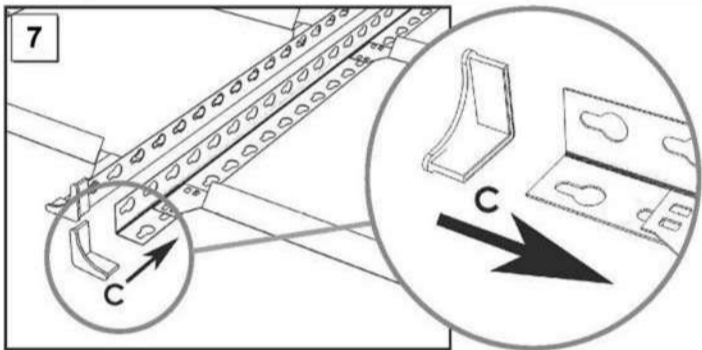
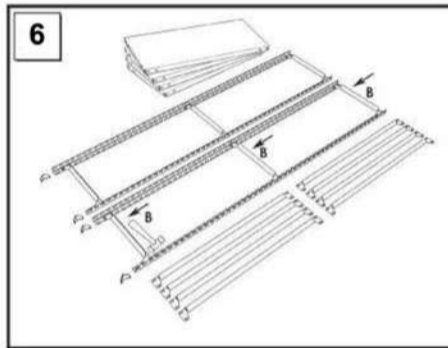
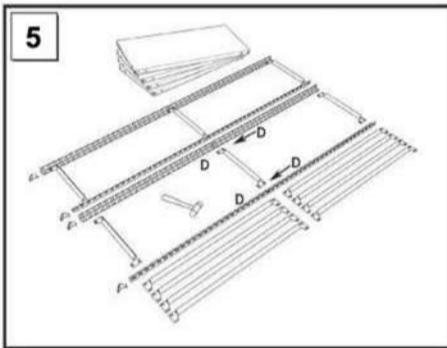
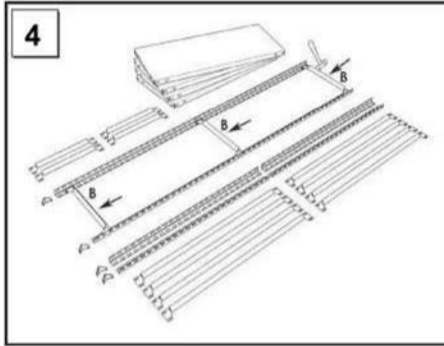
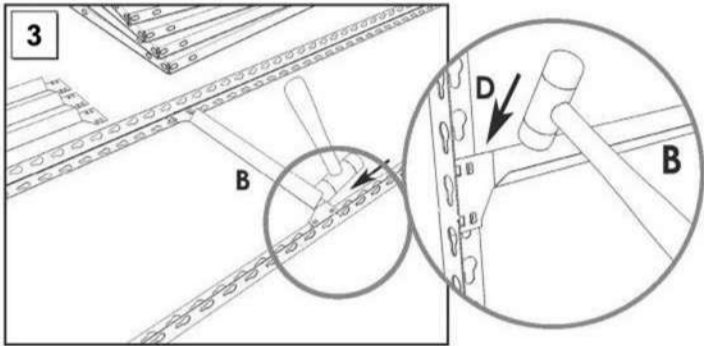
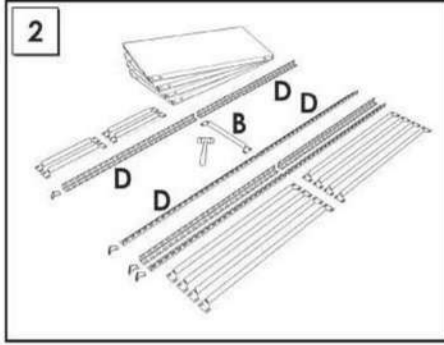
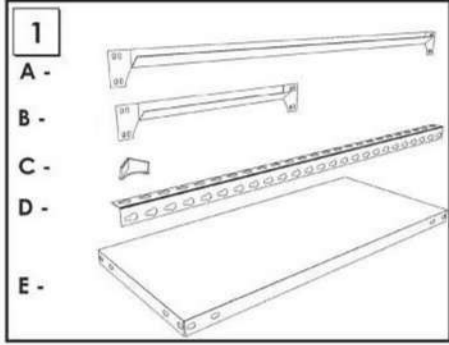
Simon Rack
SINCE 1964 - MANUFACTURER



www.simonrack.com



INSTRUCCIONES
INSTRUCTIONS
ANLEITUNG
INSTRUCTIONS



SIMONCLASSIC



SIMONCLICK



SIMONOFFICE



SIMONTALLER



BANCOS DE TRABAJO WORK BENCHES



SIMONHOME



TAGUILLAS LOCKER



SIMONTITÁN



SIMONINOX



SIMONPALET



SIMONLEVER



ALTILLOS Y PASILLOS ELEVADOS PLATFORMS AND MEZZANINES

