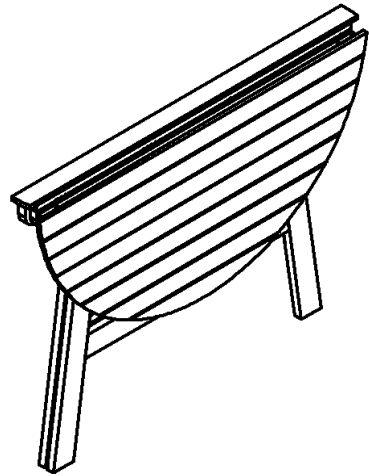


# ASSEMBLY INSTRUCTIONS

## TP/2017



HARDWARE

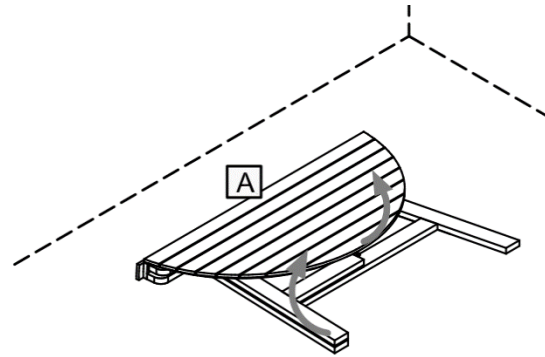


**B** x1

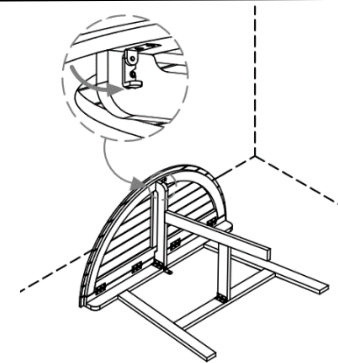


**C** x1

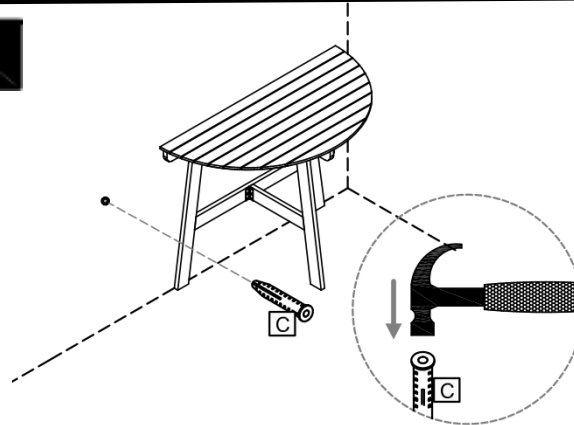
**1**



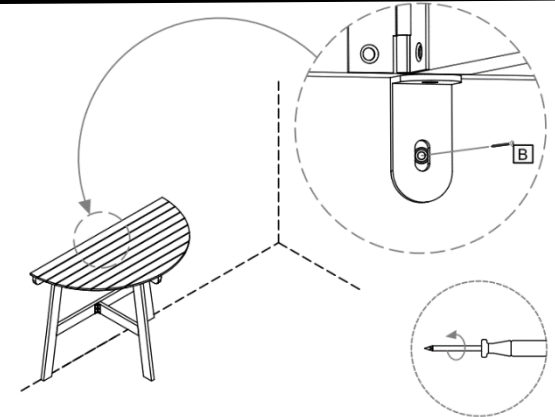
**2**



**3**



**4**



**5**

