

Single-phase meter installation guide

1. Scope

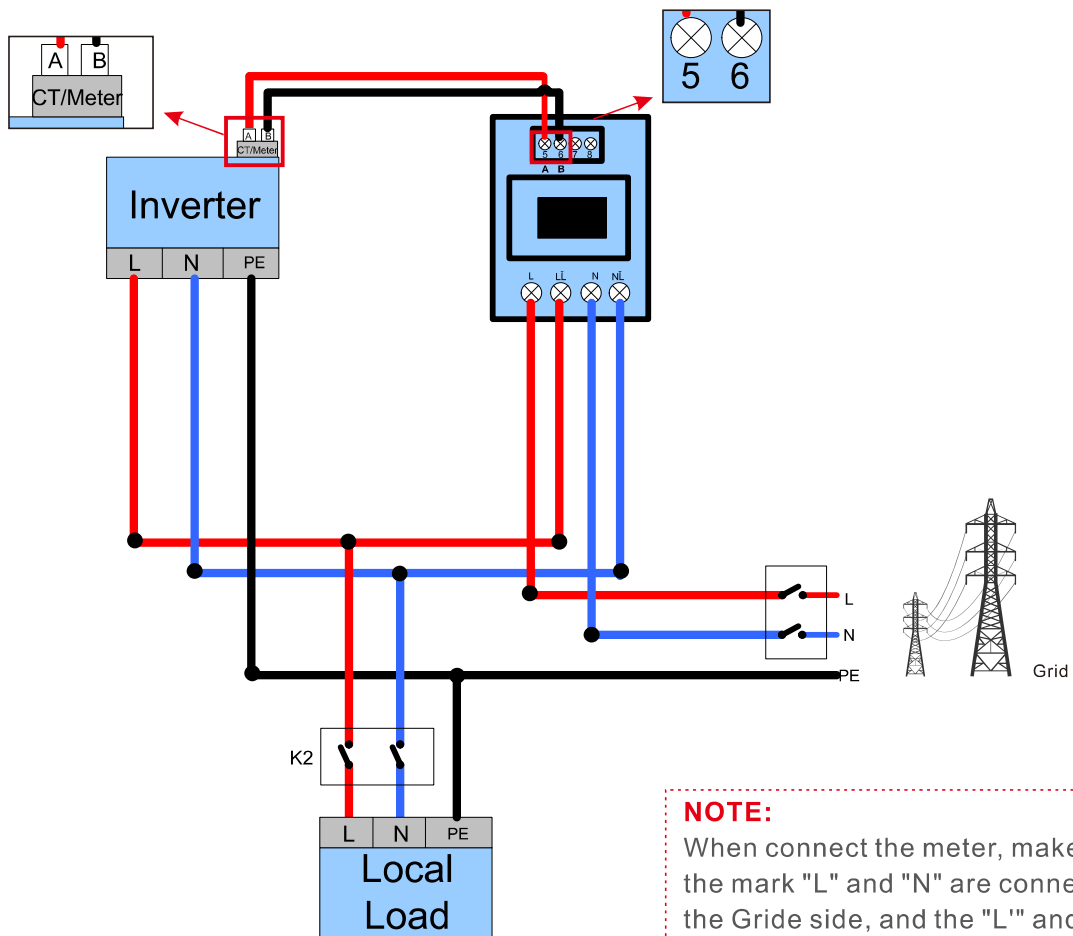
This type of inverter integrate the export power limitation function, to use this function, please refer this installation guide to install the single-phase meter and set the inverter.

2. The Single phase meter installation

The Single phase meter



System drawing



3. Setting on the inverter (default setting is "OFF")

Enter the menu.

Advanced Settings → 0010 → Internal EPM Set → Mode Select → Meter in Grid → Select "ON"