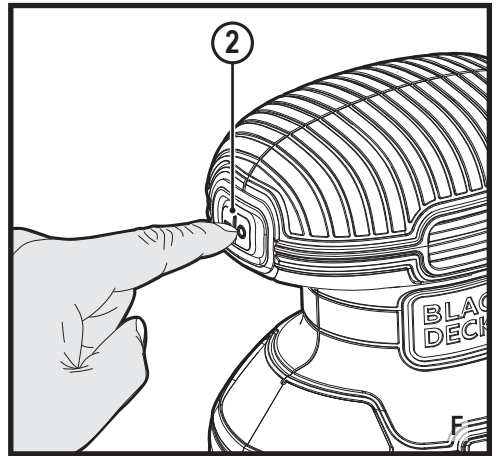
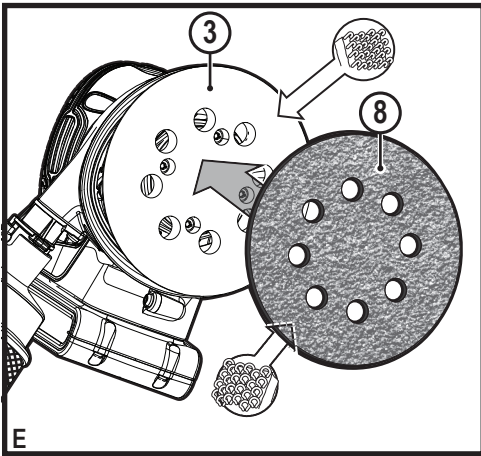
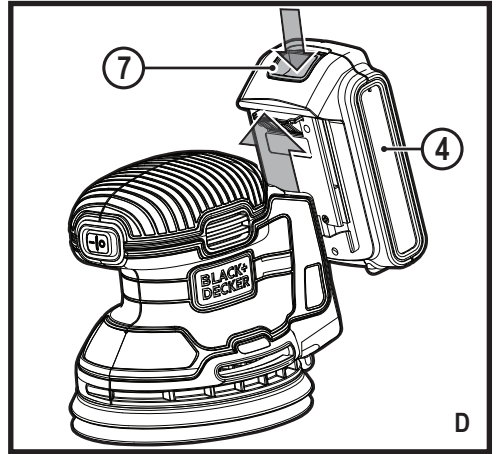
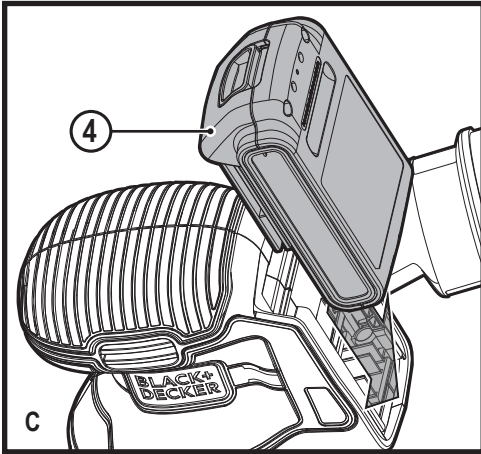
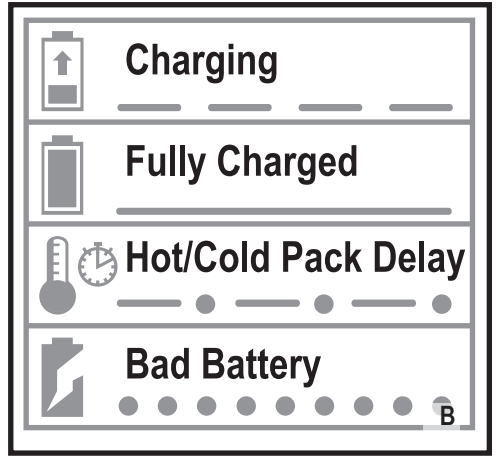
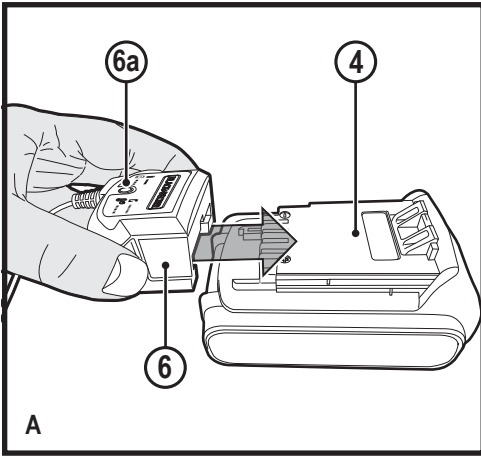
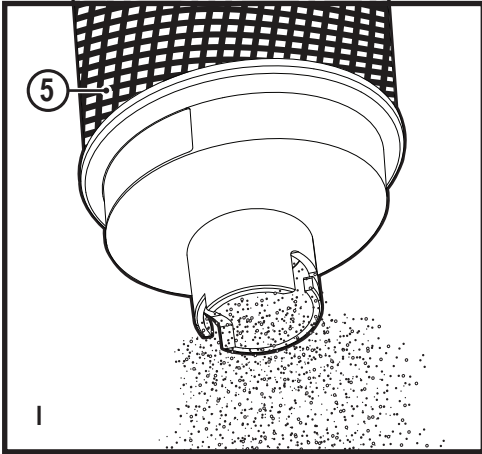
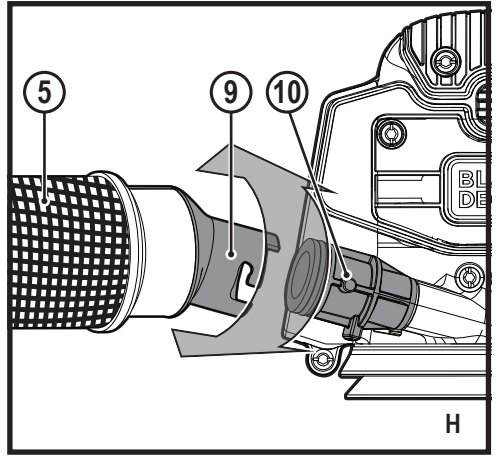
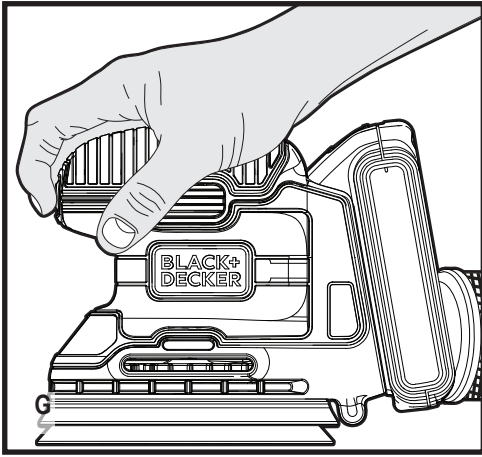


|  |    |
|--|----|
| English (original instructions).....                             | 5  |
| Deutsch (Übersetzung der Originalanweisung).....                 | 11 |
| Français (traduction de la notice d'instructions originale)..... | 18 |
| Italiano (tradotto dalle istruzioni originali) .....             | 24 |
| Nederlands (vertaald vanuit de originele instructies).....       | 30 |
| Español (traducido de las instrucciones originales) .....        | 37 |
| Português (traduzido das instruções originais) .....             | 43 |
| Svenska (översatt från de ursprungliga instruktionerna) .....    | 49 |
| Norsk (oversatt fra de originale instruksjonene) .....           | 55 |
| Dansk (oversat fra original brugsvejledning) .....               | 61 |
| Suomi (käännetty alkuperäisestä käyttöohjeesta) .....            | 67 |
| Ελληνικά (μετάφραση από τις πρωτότυπες οδηγίες).....             | 73 |





## Intended use

Your sander BLACK+DECKER BDCROS18 has been designed for quick sanding of wood, metal and plastics in a consumer environment. This tool is for consumer use only.

## Safety instructions

### General power tool safety warnings



**Warning! Read all safety warnings, instructions, illustrations and specifications provided with this power tool.** Failure to follow all instructions listed below may result in electric shock, fire and/or serious injury.

### Save all warnings and instructions for future reference.

The term "power tool" in all of the warnings listed below refers to your mains operated (corded) power tool or battery operated (cordless) power tool.

#### 1. Work area safety

- a. **Keep work area clean and well lit.** Cluttered or dark areas invite accidents.
- b. **Do not operate power tools in explosive atmospheres, such as in the presence of flammable liquids, gases or dust.** Power tools create sparks which may ignite the dust or fumes.
- c. **Keep children and bystanders away while operating a power tool.** Distractions can cause you to lose control.

#### 2. Electrical safety

- a. **Power tool plugs must match the outlet. Never modify the plug in any way.**  
**Do not use any adapter plugs with earthed (grounded) power tools.** Unmodified plugs and matching outlets will reduce risk of electric shock.
- b. **Avoid body contact with earthed or grounded surfaces such as pipes, radiators, ranges and refrigerators.** There is an increased risk of electric shock if your body is earthed or grounded.
- c. **Do not expose power tools to rain or wet conditions.** Water entering a power tool will increase the risk of electric shock.
- d. **Do not abuse the cord. Never use the cord for carrying, pulling or unplugging the power tool. Keep cord away from heat, oil, sharp edges or moving parts.** Damaged or entangled cords increase the risk of electric shock.
- e. **When operating a power tool outdoors, use an extension cord suitable for outdoor use.** Use of a cord suitable for outdoor use reduces the risk of electric shock.
- f. **If operating a power tool in a damp location is unavoidable, use a residual current device (RCD) protected supply.** Use of an RCD reduces the risk of electric shock.

#### 3. Personal safety

- a. **Stay alert, watch what you are doing and use common sense when operating a power tool. Do not use a power tool while you are tired or under the influence of drugs, alcohol or medication.** A moment of inattention while operating power tools may result in serious personal injury.
- b. **Use personal protective equipment. Always wear eye protection.** Protective equipment such as a dust mask, non-skid safety shoes, hard hat, or hearing protection used for appropriate conditions will reduce personal injuries.
- c. **Prevent unintentional starting. Ensure the switch is in the off-position before connecting to power source and/or battery pack, picking up or carrying the tool.** Carrying power tools with your finger on the switch or energising power tools that have the switch on invites accidents.
- d. **Remove any adjusting key or wrench before turning the power tool on.** A wrench or a key left attached to a rotating part of the power tool may result in personal injury.
- e. **Do not overreach. Keep proper footing and balance at all times.** This enables better control of the power tool in unexpected situations.
- f. **Dress properly. Do not wear loose clothing or jewellery. Keep your hair, clothing away from moving parts.** Loose clothes, jewellery or long hair can be caught in moving parts.
- g. **If devices are provided for the connection of dust extraction and collection facilities, ensure these are connected and properly used.** Use of dust collection can reduce dust-related hazards.
- h. **Do not let familiarity gained from frequent use of tools allow you to become complacent and ignore tool safety principles.** A careless action can cause severe injury within a fraction of a second.

#### 4. Power tool use and care

- a. **Do not force the power tool. Use the correct power tool for your application.**  
The correct power tool will do the job better and safer at the rate for which it was designed.
- b. **Do not use the power tool if the switch does not turn it on and off.** Any power tool that cannot be controlled with the switch is dangerous and must be repaired.
- c. **Disconnect the plug from the power source and/or remove the battery pack, if detachable, from the power tool before making any adjustments, changing accessories, or storing power tools.** Such preventive safety measures reduce the risk of starting the power tool accidentally.

- d. **Store idle power tools out of the reach of children and do not allow persons unfamiliar with the power tool or these instructions to operate the power tool.** Power tools are dangerous in the hands of untrained users.
- e. **Maintain power tools and accessories. Check for misalignment or binding of moving parts, breakage of parts and any other condition that may affect the power tools operation. If damaged, have the power tool repaired before use.** Many accidents are caused by poorly maintained power tools.
- f. **Keep cutting tools sharp and clean.** Properly maintained cutting tools with sharp cutting edges are less likely to bind and are easier to control.
- g. **Use the power tool, accessories and tool bits etc. in accordance with these instructions, taking into account the working conditions and the work to be performed.**

Use of the power tool for operations different from those intended could result in a hazardous situation.

- h. **Keep handles and grasping surfaces dry, clean and free from oil and grease.** Slippery handles and grasping surfaces do not allow for safe handling and control of the tool in unexpected situations.

## 5. Battery tool use and care (only used for battery tools)

- a. **Recharge only with the charger specified by the manufacturer.** A charger that is suitable for one type of battery pack may create a risk of fire when used with another battery pack.
- b. **Use power tools only with specifically designated battery packs.** Use of any other battery packs may create a risk of injury and fire.
- c. **When battery pack is not in use, keep it away from other metal objects, like paper clips, coins, keys, nails, screws, or other small metal objects, that can make a connection from one terminal to another.** Shorting the battery terminals together may cause burns or a fire.
- d. **Under abusive conditions, liquid may be ejected from the battery; avoid contact. If contact accidentally occurs, flush with water. If liquid contacts eyes, additionally seek medical help.** Liquid ejected from the battery may cause irritation or burns.
- e. **Do not use a battery pack or tool that is damaged or modified.** Damaged or modified batteries may exhibit unpredictable behaviour resulting in fire, explosion or risk of injury.
- f. **Do not expose a battery pack or tool to fire or excessive temperature.** Exposure to fire or temperature above 130 °C may cause explosion.  
NOTE: The temperature „130 °C“ can be replaced by the temperature „265 °F“.

- g. **Follow all charging instructions and do not charge the battery pack or tool outside the temperature range specified in the instructions.** Charging improperly or at temperatures outside the specified range may damage the battery and increase the risk of fire.

## 6. Service

- a. **Have your power tool serviced by a qualified repair person using only identical replacement parts.** This will ensure that the safety of the power tool is maintained.
- b. **Never service damaged battery packs.** Service of battery packs should only be performed by the manufacturer or authorized service providers (only used for battery tools).

## Additional Specific Safety Rules for Sanders

- **Hold the power tool by insulated gripping surfaces, because the sanding belt / sanding base may contact its own cord.** Cutting a “live” wire may make exposed metal parts of the power tool “live” could give the operator an electric shock.
- **Use clamps or another practical way to secure and support the workpiece to a stable platform.** Holding the workpiece by hand or against your body leaves it unstable and may lead to loss of control.
- The intended use is described in this instruction manual. The use of any accessory or attachment or performance of any operation with this tool other than those recommended in this instruction manual may present a risk of personal injury and/or damage to property.



**WARNING:** Contact with or inhalation of dusts arising from sanding applications may endanger the health of the operator and possible bystanders. Wear a dust mask specifically designed for protection against toxic dust and fumes and ensure that persons within or entering the work area are also protected.



**WARNING:** Use this tool in a well-ventilated area when sanding ferrous metals. Do not operate the tool near flammable liquids, gases or dust. Sparks or hot particles from sanding or arcing motor brushes may ignite combustible materials.



**WARNING:** Do not use the dust filter cassette or the dust extraction adaptor to store objects.

## Sanding Paint



**WARNING:** Observe the applicable regulations for sanding paint. Pay special attention to the following: Whenever possible, use a vacuum extractor for dust collection.

Take special care when sanding paint which is possibly lead based: Do not let children or pregnant women enter the work area. All persons entering the work area should wear a mask specially designed for protection against lead paint dust and fumes.

Do not eat, drink or smoke in the work area.  
Dispose of dust particles and any other removal debris safely.



**WARNING:** We recommend the use of a residual current device with a residual current rating of 30mA or less.

## Additional Safety Instructions for Sanders

- **Wear ear protectors.** Exposure to noise can cause hearing loss.

## Residual risks

Additional residual risks may arise when using the tool which may not be included in the enclosed safety warnings. These risks can arise from misuse, prolonged use etc.

Even with the application of the relevant safety regulations and the implementation of safety devices, certain residual risks can not be avoided. These include:

- Injuries caused by touching any rotating/moving parts.
- Injuries caused when changing any parts, blades or accessories.
- Injuries caused by prolonged use of a tool. When using any tool for prolonged periods ensure you take regular breaks.
- Impairment of hearing.
- Health hazards caused by breathing dust developed when using your tool (example:- working with wood, especially oak, beech and MDF.)

## Safety of others

- This tool is not intended for use by persons (including children) with reduced physical, sensory or mental capabilities, or lack of experience and knowledge, unless they have been given supervision or instruction concerning use of the tool by a person responsible for their safety.
- Children should be supervised to ensure that they do not play with the appliance.
- The intended use is described in this instruction manual. The use of any accessory or attachment or performance of any operation with this tool other than those recommended in this instruction manual may present a risk of personal injury and/or damage to property.

## Vibration

The declared vibration emission values stated in the technical data and the declaration of conformity have been measured in accordance with a standard test method provided by EN62841 and may be used for comparing one tool with another. The declared vibration emission value may also be used in a preliminary assessment of exposure.



**Warning!** The vibration emission value during actual use of the power tool can differ from the declared value depending on the ways in which the tool is used. The vibration level may increase above the level stated.

When assessing vibration exposure to determine safety measures required by 2002/44/EC to protect persons regularly using power tools in employment, an estimation of vibration exposure should consider, the actual conditions of use and the way the tool is used, including taking account of all parts of the operating cycle such as the times when the tool is switched off and when it is running idle in addition to the trigger time.

## Labels on tool

The following symbols are shown on the tool along with the date code:



**Warning!** To reduce the risk of injury, the user must read the instruction manual.

## Additional safety instructions for batteries and chargers

### Batteries

- Never attempt to open for any reason.
- Do not expose the battery to water.
- Do not store in locations where the temperature may exceed 40 °C.
- Charge only at ambient temperatures between 10 °C and 40 °C.
- Charge only using the charger provided with the tool.
- When disposing of batteries, follow the instructions given in the section "Protecting the environment".

Do not attempt to charge damaged batteries.



### Chargers

- Use your charger only to charge the battery in the tool with which it was supplied. Other batteries could burst, causing personal injury and damage.
- Never attempt to charge non-rechargeable batteries.
- Have defective cords replaced immediately.
- Do not expose the charger to water.
- Do not open the charger.
- Do not probe the charger.



The charger is intended for indoor use only.

## Electrical safety



This charger is double insulated; therefore no earth wire is required. Always check that the power supply corresponds to the voltage on the rating plate.

- If the supply cord is damaged, it must be replaced by the manufacturer or an authorised BLACK+DECKER Service Centre in order to avoid a hazard.

## Features

This tool includes some or all of the following features.

1. Handle
2. On/off button
3. Sanding pad
4. Battery
5. Dust canister
6. Charger

## Charging procedure (Fig. A)

BLACK+DECKER chargers are designed to charge BLACK+DECKER battery packs.

- Plug the charger (6) into an appropriate outlet before inserting the battery pack (4).
- Insert the battery pack (4) into the charger (6) as shown in figure A.
- The green LED (6a) will flash indicating that the battery is being charged.
- The completion of charge is indicated by the green LED (6a) remaining on continuously. The pack is fully charged and may be used at this time or left on the charger.

**Note:** Recharge discharged batteries as soon as possible after use or battery life may be greatly diminished. For longest battery life, do not discharge batteries fully.

It is recommended that the batteries be recharged after each use.

## Leaving the battery in the charger

The charger (6) and battery pack (4) can be left connected with the LED glowing indefinitely. The charger will keep the battery pack fresh and fully charged.

## Important charging notes

- Longest life and best performance can be obtained if the battery pack is charged when the air temperature is between 65°F and 75°F (18° - 24°C). DO NOT charge the battery pack in an air temperature below +40°F (+4.5°C), or above +105°F (+40.5°C). This is important and will prevent serious damage to the battery pack.
- The charger and battery pack may become warm to touch while charging. This is a normal condition, and does not indicate a problem. To facilitate the cooling of the battery pack after use, avoid placing the charger or battery pack in a warm environment such as in a metal shed, or an uninsulated trailer.
- If the battery pack does not charge properly:
  - ◆ Check current at receptacle by plugging in a lamp or other appliance.
  - ◆ Check to see if receptacle is connected to a light switch which turns power off when you turn out the lights.
  - ◆ Move charger and battery pack to a location where the surrounding air temperature is approximately 65°F - 75°F (18° - 24°C).
  - ◆ If charging problems persist, take the tool, battery pack and charger to your local service center.

- The battery pack should be recharged when it fails to produce sufficient power on jobs which were easily done previously. DO NOT CONTINUE to use under these conditions. Follow the charging procedure. You may also charge a partially used pack whenever you desire with no adverse affect on the battery pack.
- Foreign materials of a conductive nature such as, but not limited to, steel wool, aluminium foil, or any buildup of metallic particles should be kept away from charger cavities. Always unplug the charger from the power supply when there is no battery pack in the cavity. Unplug charger before attempting to clean.
- Do not freeze or immerse charger in water or any other liquid.



**Warning!** Do not allow any liquid to get inside charger. Never attempt to open the battery pack for any reason. If the plastic housing of the battery pack breaks or cracks, return to a service center for recycling.

## Charger Diagnostics (Fig.B)

Refer to the indicators in figure B for the charge status of the battery pack.

## Bad Battery

If you see a bad battery blink pattern, do not continue to charge this battery. Return it to a service center or a collection site for recycling.

## Hot/Cold Pack Delay

When the charger detects a battery pack that is too hot or too cold, it automatically starts a Hot/Cold Pack Delay, suspending charging until the battery pack has reached an appropriate temperature. The charger then automatically switches to the pack charging mode. This feature ensures maximum battery pack life. A cold battery pack will charge at a slower rate than a warm battery pack. The pack will charge at that slower rate throughout the entire charging cycle and will not return to maximum charge rate even if the pack warms.

## Installing and removing the battery pack from the tool

### To install battery pack Fig. C)

- Insert battery (4) into tool until an audible click is heard (Figure. C)
- Ensure battery pack is fully seated and fully latched into position.

### To remove battery pack (Fig.D)

- Depress the battery release button (7) as shown in figure D and pull battery pack (4) out of the tool.

## Attaching hook and loop sanding discs (fig. E)

For best results, use BLACK+DECKER accessories.

- Your sander is designed for use with either mesh carbide sandpaper or with standard sand paper with the 8 hole dust extraction pattern.
- To attach the sanding disc (8), carefully center it over the sanding pad (3) ensuring the holes in the disc align with the holes in the pad and press the disc firmly in place.



- The hook and loop fastening system sanding disc can be easily removed by simply pulling it off. It can be reused as desired.

## Use



**Warning!** Let the tool work at its own pace. Do not overload.

## Switching on and off

- To switch the tool on, depress the on/off switch (2) at the "I" position.
- To switch the tool off, depress the on/off switch (2) at the "O" position.

## Operation

Grasp the sander as shown in figure G and turn it ON. Move it in long, sweeping strokes along the surface, letting it do the work.

Pushing down on the tool while sanding actually slows the removal rate and produces an inferior quality finish.

Check your work often. Sander is capable of removing material rapidly especially with coarse paper.

## Dust Collection (Fig. H, I)



**Warning!** Collected sanding dust from sanding surface coatings (polyurethane, linseed oil, etc.) can selfignite in sander dust bag or elsewhere and cause fire. To reduce risk, empty bag frequently and strictly follow sander manual and coating manufacturer's instructions.

- To attach the canister to the sander, line up the grooves in the canister (9) with the nubs (10) on the dust port.
- Slide the canister onto the dust port and turn the canister clockwise to lock it in place as shown in Figure H.
- To remove, turn the canister counterclockwise and slide the canister off.
- To empty the canister, remove it from the dust port and dump the sanding debris into an appropriate trash receptacle Figure I.

## Maintenance

Your BLACK+DECKER tool has been designed to operate over a long period of time with a minimum of maintenance. Continuous satisfactory operation depends upon proper tool care and regular cleaning.

Your charger does not require any maintenance apart from regular cleaning.



**Warning!** Before performing any maintenance on the tool, remove the battery from the tool. Unplug the charger before cleaning it.

- Regularly clean the ventilation slots in your tool and charger using a soft brush or dry cloth.
- Regularly clean the motor housing using a damp cloth. Do not use any abrasive or solvent-based cleaner.

## Protecting the environment



Separate collection. Products and batteries marked with this symbol must not be disposed of with normal household waste.

Products and batteries contain materials that can be recovered or recycled, reducing demand for raw materials. Please recycle electrical products and batteries according to local provisions. Further information is available at [www.2helpU.com](http://www.2helpU.com)

## Technical data

| BDCROS18 H1            |                   |        |
|------------------------|-------------------|--------|
| Input voltage          | V <sub>DC</sub>   | 18     |
| Oscillations (no load) | min <sup>-1</sup> | 12000  |
| Orbits (no load)       | min <sup>-1</sup> | 12000  |
| Sanding base surface   | mm <sup>2</sup>   | 12660  |
| Weight                 | kg                | 0.9    |
| Battery                |                   |        |
| BL1518                 |                   |        |
| Voltage                | V <sub>DC</sub>   | 18     |
| Capacity               | Ah                | 1.5    |
| Type                   |                   | H4     |
| Charger                |                   |        |
| SSC-250040X            |                   |        |
| Input voltage          | V <sub>AC</sub>   | 230    |
| Output voltage         | V <sub>DC</sub>   | 8 - 20 |
| Current                | mA                | 400    |

|  |
|--|
| L <sub>pa</sub> (sound pressure) 71.5 dB(A), Uncertainty (K) 3 dB(A)                                   |
| L <sub>wa</sub> (sound power) 82.5 dB(A), Uncertainty (K) 3 dB(A)                                      |
| Vibration total values (triax vector sum) according to EN62841:  |
| Vibration emission value (a <sub>r</sub> ) 3.4 m/s <sup>2</sup> , uncertainty (K) 1.5 m/s <sup>2</sup> |

## EC declaration of conformity

### MACHINERY DIRECTIVE



BDCROS18 Sander

Black & Decker declares that these products described under "technical data" are in compliance with: EN62841-1:2015 , EN62841-2-4:2014.

These products also comply with Directive 2006/42/EC, 2014/30/EU and 2011/65/EU. For more information, please contact Black & Decker at the following address or refer to the back of the manual.

The undersigned is responsible for compilation of the technical file and makes this declaration on behalf of Black & Decker .

A handwritten signature in black ink, appearing to read 'A P Smith'.

A. P. Smith  
Technical Director of Engineering  
Black & Decker Europe, 270 Bath Road, Slough,  
Berkshire, SL1 4DX, United Kingdom  
30/04/2019

## Guarantee

Black & Decker is confident of the quality of its products and offers consumers a 24 month guarantee from the date of purchase. This guarantee is in addition to and in no way prejudices your statutory rights. The guarantee is valid within the territories of the Member States of the European Union and the European Free Trade Area.

To claim on the guarantee, the claim must be in accordance with Black & Decker Terms and Conditions and you will need to submit proof of purchase to the seller or an authorised repair agent.

Terms and conditions of the Black & Decker 2 year guarantee and the location of your nearest authorised repair agent can be obtained on the Internet at [www.2helpU.com](http://www.2helpU.com), or by contacting your local Black & Decker office at the address indicated in this manual.

Please visit our website [www.blackanddecker.co.uk](http://www.blackanddecker.co.uk) to register your new Black & Decker product and receive updates on new products and special offers.

## Verwendungszweck

Ihr BLACK+DECKER BDCROS18 Schleifgerät wurde für das schnelle Schleifen von Holz, Metall und Kunststoff in einer Verbraucherumgebung entwickelt. Dieses Gerät ist nicht für den gewerblichen Einsatz vorgesehen.

## Sicherheitshinweise

### Allgemeine Sicherheitswarnungen für das Gerät



**Warnung! Beachten Sie alle Sicherheitshinweise, Anweisungen, Darstellungen und Daten, die Sie mit dem Gerät erhalten.** Wenn Sie die folgenden Anweisungen nicht beachten, kann es zu elektrischem Schlag, Feuer und/oder schweren Verletzungen kommen.

**Bewahren Sie alle Warnhinweise und alle Anweisungen gut auf.** Der nachfolgend verwendete Begriff „Gerät“ oder „Elektrowerkzeug“ bezieht sich auf netzbetriebene Geräte (mit Netzkabel) und auf akkubetriebene Geräte (ohne Netzkabel).

### 1. Sicherheit im Arbeitsbereich

- Halten Sie den Arbeitsbereich sauber und gut ausgeleuchtet.** Unaufgeräumte oder dunkle Bereiche begünstigen Unfälle.
- Betreiben Sie Elektrowerkzeuge nicht in explosionsgefährdeten Umgebungen, in denen sich z. B. brennbare Flüssigkeiten, Gase oder Staub befinden.** Elektrowerkzeuge erzeugen Funken, die den Staub oder die Dämpfe entzünden können.
- Halten Sie Kinder und Zuschauer fern, während Sie ein Elektrogerät betreiben.** Ablenkung kann dazu führen, dass Sie die Kontrolle über das Gerät verlieren.

### 2. Elektrische Sicherheit

- Der Stecker des Elektrogerätes muss in die Steckdose passen. Ändern Sie niemals den Stecker in irgendeiner Form. Verwenden Sie keinerlei Adapterstecker an geerdeten Elektrogeräten.** Unveränderte Stecker und passende Steckdosen mindern die Gefahr eines elektrischen Schlages.
- Vermeiden Sie Körperkontakt mit geerdeten Flächen, wie Rohre, Radiatoren, Herde und Kühlgeräte.** Es besteht eine erhöhte Gefahr für einen elektrischen Schlag, wenn Ihr Körper geerdet ist.
- Setzen Sie Elektrogeräte keinem Regen oder feuchter Umgebung aus.** Wenn Wasser in das Elektrogerät eindringt, erhöht sich die Gefahr eines elektrischen Schlages.
- Behandeln Sie das Kabel sorgfältig. Verwenden Sie niemals das Kabel, um das Elektrogerät zu tragen oder durch Ziehen vom Netz zu trennen. Halten Sie das Kabel fern von Hitze, Öl, scharfen Kanten oder beweglichen Teilen.** Beschädigte oder verhedderte Kabel erhöhen die Gefahr eines elektrischen Schlages.

- Wenn Sie ein Elektrogerät im Freien betreiben, verwenden Sie ein für den Außeneinsatz geeignetes Verlängerungskabel.** Die Verwendung von für den Außeneinsatz geeigneten Kabeln mindert die Gefahr eines elektrischen Schlages.
  - Wenn der Betrieb eines Elektrogerätes in feuchter Umgebung unumgänglich ist, verwenden Sie eine durch einen Fehlerstromschutzschalter (FI-Schalter oder RCD) geschützte Stromversorgung.** Der Einsatz eines Fehlerstromschutzschalters mindert die Gefahr eines elektrischen Schlages.
- ### 3. Sicherheit von Personen
- Seien Sie aufmerksam, achten Sie darauf, was Sie tun, und gehen Sie mit Vernunft an die Arbeit mit einem Elektrowerkzeug. Benutzen Sie kein Elektrowerkzeug, wenn Sie müde sind oder unter dem Einfluss von Drogen, Alkohol oder Medikamenten stehen.** Ein Moment der Unachtsamkeit beim Betrieb eines Elektrogerätes kann zu schweren Verletzungen führen.
  - Tragen Sie persönliche Schutzausrüstung. Tragen Sie immer einen Augenschutz.** Das Tragen persönlicher Schutzausrüstung, wie Staubmaske, rutschfeste Sicherheitsschuhe, Schutzhelm oder Gehörschutz, je nach Art und Einsatz des Elektrowerkzeuges, verringert das Risiko von Verletzungen.
  - Vermeiden Sie unbeabsichtigtes Starten. Vergewissern Sie sich, dass das Gerät ausgeschaltet ist, bevor Sie es an eine Steckdose oder einen Akku anschließen, es hochheben oder tragen.** Wenn Sie beim Tragen des Elektrowerkzeuges den Finger am Schalter haben oder das Gerät eingeschaltet an die Stromversorgung anschließen, kann dies zu Unfällen führen.
  - Entfernen Sie alle Einstellschlüssel oder Werkzeuge, bevor Sie das Elektrogerät einschalten.** Werkzeuge oder Schlüssel, die an rotierenden Teilen des Elektrogerätes angebracht sind, können zu Verletzungen führen.
  - Vermeiden Sie eine anormale Körperhaltung. Sorgen Sie für einen sicheren Stand und halten Sie jederzeit das Gleichgewicht.** Dadurch können Sie das Elektrowerkzeug in unerwarteten Situationen besser kontrollieren.
  - Tragen Sie geeignete Kleidung. Tragen Sie keine weite Kleidung und keinen Schmuck. Halten Sie Ihre Haare und Kleidung von beweglichen Teilen fern.** Lose sitzende Kleidung, Schmuck oder lange Haare können sich in den beweglichen Teilen verfangen.
  - Wenn Geräte für den Anschluss an eine Staubabsaugung und Staubsammlung vorgesehen sind, vergewissern Sie sich, dass diese richtig**

- angeschlossen sind und verwendet werden. Der Einsatz von Staubsammlern kann staubbedingte Gefahren mindern.
- h. Vermeiden Sie, durch die häufige Nutzung des Werkzeugs in einen Trott zu verfallen und Prinzipien für die Werkzeugsicherheit zu ignorieren.** Eine unachtsame Aktion kann im Bruchteil einer Sekunde zu schweren Verletzungen führen.
- 4. Gebrauch und Pflege von Geräten**
- a. Überlasten Sie das Elektrogerät nicht. Verwenden Sie das für Ihre Arbeit passende Gerät.** Das richtige Gerät wird die Aufgabe besser und sicherer erledigen, wenn es bestimmungsgemäß verwendet wird.
- b. Benutzen Sie kein Elektrowerkzeug, dessen Schalter defekt ist.** Ein Elektrowerkzeug, das sich nicht mehr ein- oder ausschalten lässt, ist gefährlich und muss repariert werden.
- c. Trennen Sie den Stecker vom Netz und/oder, falls abnehmbar, den Akku vom Elektrogerät, bevor Sie Einstellungen am Gerät vornehmen, Zubehör wechseln oder es aufbewahren.** Diese Vorbeugemaßnahmen mindern die Gefahr, dass das Elektrogerät unbeabsichtigt startet. Diese Vorbeugemaßnahmen mindern die Gefahr, dass das Elektrogerät unbeabsichtigt startet.
- d. Bewahren Sie nicht verwendete Elektrogeräte für Kinder unerreichbar auf und lassen Sie nicht zu, dass Personen ohne Erfahrung mit dem Elektrogerät oder mit diesen Anweisungen das Elektrogerät bedienen.** Elektrogeräte sind in den Händen nicht geschulter Personen gefährlich.
- e. Halten Sie das Gerät und sein Zubehör in einem einwandfreien Zustand. Kontrollieren Sie, ob bewegliche Teile falsch ausgerichtet sind oder klemmen und ob Teile gebrochen oder so beschädigt sind, dass die Funktion des Geräts beeinträchtigt ist. Bei Beschädigungen lassen Sie das Gerät reparieren, bevor Sie es verwenden.** Viele Unfälle entstehen wegen mangelnder Wartung der Elektrogeräte.
- f. Halten Sie Schneidwerkzeuge scharf und sauber.** Richtig gewartete Schneidwerkzeuge mit scharfen Klingen blockieren seltener und sind leichter unter Kontrolle zu halten.
- g. Verwenden Sie Elektrogeräte, Zubehör und Einsätze (Bits) usw. gemäß diesen Anweisungen und unter Berücksichtigung der Arbeitsbedingungen und der Aufgabe.** Der Gebrauch von Elektrowerkzeugen für andere als die vorgesehenen Zwecke kann zu gefährlichen Situationen führen.
- h. Halten Sie die Griffe trocken, sauber und frei von Öl und Fett.** Rutschige Griffe und Oberflächen unterbinden die sichere Bedienbarkeit und Kontrolle über das Werkzeug in unerwarteten Situationen.
- 5. Gebrauch und Pflege von Akkuwerkzeugen (nur für Akkuwerkzeuge verwenden)**
- a. Laden Sie die Akkus nur in Ladegeräten auf, die vom Hersteller angegeben wurden.** Für ein Ladegerät, das nur für eine bestimmte Akkuart geeignet ist, besteht Brandgefahr, wenn es mit anderen Akkus verwendet wird.
- b. Verwenden Sie nur die für das jeweilige Gerät vorgesehenen Akkus.** Die Verwendung anderer Akkus kann zu Verletzungen oder Bränden führen.
- c. Halten Sie den nicht benutzten Akku fern von Büroklammern, Münzen, Schlüsseln, Nägeln, Schrauben oder anderen kleinen Metallgegenständen, die eine Überbrückung der Kontakte verursachen könnten.** Durch den dadurch entstehenden Kurzschluss kann der Akku in Brand geraten.
- d. Bei falscher Anwendung kann Flüssigkeit aus dem Akku austreten. Vermeiden Sie den Kontakt damit. Bei unbeabsichtigtem Kontakt mit Wasser abspülen. Gelangt die Flüssigkeit in die Augen, ziehen Sie außerdem ärztliche Hilfe hinzu.** Austretende Akkufflüssigkeit kann zu Hautreizungen oder Verbrennungen führen.
- e. Verwenden Sie keine Akkus oder Werkzeuge, die beschädigt sind oder modifiziert wurden.** Beschädigte oder modifizierte Akkus können sich unvorhersehbar verhalten und stellen ein Risiko von Feuer, Explosionen oder Verletzungen dar.
- f. Setzen Sie Akkus und Werkzeuge keinem Feuer oder extremen Temperaturen aus.** Die Belastung durch Feuer oder Temperaturen über 130 °C kann zur Explosion führen. HINWEIS: Die Temperaturangabe „130 °C“ kann durch die Temperaturangabe „265 °F“ ersetzt werden.
- g. Befolgen Sie alle Anweisungen zum Aufladen und laden Sie den Akku oder das Werkzeug nicht jenseits des in der Anleitung angegebenen Temperaturbereichs auf.** Das falsche Aufladen oder das Aufladen bei Temperaturen jenseits des angegebenen Bereichs kann den Akku beschädigen und das Brandrisiko erhöhen.
- 6. Service**
- a. Lassen Sie Ihr Elektrowerkzeug nur von qualifiziertem Fachpersonal und nur mit Original-Ersatzteilen reparieren.** Damit wird sichergestellt, dass die Sicherheit des Gerätes erhalten bleibt.
- b. Führen Sie an beschädigten Akkus niemals Wartungsarbeiten durch.** Die Wartung von Akkus darf nur vom Hersteller oder von autorisierten Dienstleistern durchgeführt werden (nur für Akkuwerkzeuge verwenden).

## Zusätzliche Sicherheitshinweise für Schleifgeräte

- Halten Sie das Gerät an den isolierten Griffflächen, da das Schleifband/die Schleifplatte mit dem Gerätekabel in Berührung kommen kann. Der Kontakt mit stromführenden Leitungen kann auch offen liegende Metallteile am Gerät unter Strom setzen und zu einem Stromschlag führen.
- Sichern Sie das Werkstück zum Beispiel mit Spannvorrichtungen auf einer stabilen Plattform. Das Werkstück ist instabil, wenn es mit der Hand oder dem Körper abgestützt wird, was zum Verlust der Kontrolle führen kann.
- Die bestimmungsgemäße Verwendung ist in dieser Betriebsanleitung beschrieben. Die Verwendung von Zubehör- oder Anbauteilen, die nicht in dieser Anleitung empfohlen werden, sowie die Bedienung des Geräts in Abweichung von den in dieser Anleitung beschriebenen Verfahren können zu Verletzungen und/oder Sachschäden führen.



**WARNUNG:** Die beim Schleifen von bestimmten Materialien entstehenden Stäube können bei Berührung oder Einatmen die Gesundheit schädigen. Tragen Sie daher Staubmasken, die speziell zum Schutz vor giftigem Staub und Gasen konzipiert sind, und stellen Sie sicher, dass auch andere Personen geschützt werden, die sich im Arbeitsbereich aufhalten oder ihn betreten.



**WARNUNG:** Sorgen Sie beim Schleifen eisenhaltiger Metalle stets für ausreichende Belüftung. Betreiben Sie das Gerät nicht in der Umgebung von brennbaren Flüssigkeiten, Gasen oder Staub. Beim Schleifen entstehende Funken oder Späne sowie die Energieentladungen an den Motorbürsten können entflammable Materialien entzünden.



**WARNUNG:** Verwenden Sie die Staubfilterkassette oder den Staubabsaugadapter nicht zur Aufbewahrung von Gegenständen.

## Schleifen von Farben



**WARNUNG:** Beachten Sie die Richtlinien für das Schleifen von Farben. Achten Sie besonders auf folgende Aspekte: Verwenden Sie wenn möglich eine Staubabsaugvorrichtung. Treffen Sie beim Schleifen von möglicherweise bleihaltigen Farben besondere Maßnahmen: Verhindern Sie, dass Kinder oder Schwangere den Arbeitsplatz betreten. Alle Personen, die den Arbeitsbereich betreten, sollten eine Maske tragen, die speziell für den Schutz vor Stäuben und Dämpfen von bleihaltiger Farbe vorgesehen ist. Essen, trinken und rauchen Sie nicht am Arbeitsplatz. Entsorgen Sie Staubteilchen und andere Schleifabfälle sachgerecht.



**WARNUNG:** Wir empfehlen die Verwendung eines Fehlerstromschutzschalters mit einem Nennfehlerstrom von maximal 30mA.

## Zusätzliche Sicherheitshinweise für Schleifgeräte

- Tragen Sie einen Gehörschutz. Lärm kann Gehörschäden verursachen.

### Restrisiken

Beim Gebrauch dieses Geräts verbleiben zusätzliche Restrisiken, die möglicherweise nicht in den Sicherheitswarnungen genannt werden. Diese Risiken bestehen beispielsweise bei Missbrauch oder längerem Gebrauch.

Auch bei der Einhaltung der entsprechenden Sicherheitsvorschriften und der Verwendung aller Sicherheitsgeräte bestehen weiterhin bestimmte Restrisiken. Diese sind:

- Verletzungen, die durch das Berühren von sich drehenden/bewegenden Teilen verursacht werden.
- Verletzungen, die durch das Austauschen von Teilen, Messern oder Zubehör verursacht werden.
- Verletzungen, die durch längeren Gebrauch eines Geräts verursacht werden. Legen Sie bei längerem Gebrauch regelmäßige Pausen ein.
- Schwerhörigkeit.
- Gesundheitsrisiken durch das Einatmen von Staub beim Gebrauch des Geräts (z. B. bei Holzarbeiten, insbesondere Eiche, Buche und Pressspan)

### Sicherheit anderer Personen

- Dieses Gerät darf nicht von Personen (einschließlich Kindern) mit eingeschränkten körperlichen, sensorischen oder geistigen Fähigkeiten oder mangelnder Erfahrung und Wissen in Bezug auf dessen Gebrauch bedient werden, es sei denn, sie werden bei der Verwendung des Geräts von einer erfahrenen Person beaufsichtigt oder angeleitet.
- Lassen Sie nicht zu, dass Kinder mit dem Gerät spielen.
- Die bestimmungsgemäße Verwendung ist in dieser Betriebsanleitung beschrieben. Die Verwendung von Zubehör- oder Anbauteilen, die nicht in dieser Anleitung empfohlen werden, sowie die Bedienung des Geräts in Abweichung von den in dieser Anleitung beschriebenen Verfahren können zu Verletzungen und/oder Sachschäden führen.

### Vibration

Die in den Abschnitten „Technische Daten“ und „EU-Konformitätserklärung“ angegebenen Werte für die Vibrationsemission wurden mit einer Standard-Prüfmethode nach EN62841 ermittelt und können zum Vergleich verschiedener Geräte herangezogen werden. Außerdem kann mit Hilfe dieses Werts die Belastung bei Verwendung des Geräts schon im Voraus eingeschätzt werden.



**Warnung!** Die bei Verwendung des Geräts auftretende Vibrationsemission hängt von der Art des Gerätegebrauchs ab und kann dementsprechend von dem angegebenen Wert abweichen. Gegebenenfalls kann die Vibration über dem angegebenen Wert liegen.

Für die Ermittlung der Vibrationsbelastung müssen die tatsächlichen Einsatzbedingungen und Verwendungen des Geräts während des gesamten Arbeitsgangs berücksichtigt werden, einschließlich der Zeiten, wenn das Gerät nicht verwendet oder im Leerlauf betrieben wird. Diese Werte werden benötigt, um die gemäß 2002/44/EG erforderlichen Sicherheitsmaßnahmen zum Schutz von Personen festlegen zu können.

### Etiketten am Werkzeug

Am Gerät sind die folgenden Warnsymbole inkl. Datumscode angebracht:



**Warnung!** Lesen Sie vor Gebrauch die Anleitung. Andernfalls besteht Verletzungsgefahr.

### Zusätzliche Sicherheitshinweise für Akkus und Ladegeräte

#### Akkus

- Keinesfalls versuchen, den Akku zu öffnen.
- Achten Sie darauf, dass die Batterien nicht mit Wasser in Berührung kommen.
- Nicht bei Temperaturen über 40 °C lagern.
- Laden Sie den Akku ausschließlich bei Umgebungstemperaturen zwischen 10 °C und 40 °C.
- Verwenden Sie ausschließlich das mitgelieferte Ladegerät.
- Beachten Sie bei der Entsorgung von Batterien und Akkus die Hinweise im Abschnitt "Umweltschutz".



Versuchen Sie nie, beschädigte Akkus aufzuladen.

#### Ladegeräte

- Verwenden Sie das Ladegerät nur für den Akku des Werkzeugs, mit dem es geliefert wurde. Andere Akkus können platzen und Sachschäden oder Verletzungen verursachen.
- Versuchen Sie keinesfalls, nicht aufladbare Batterien zu laden.
- Lassen Sie beschädigte Kabel sofort austauschen.
- Achten Sie darauf, dass das Ladegerät nicht mit Wasser in Berührung kommt.
- Versuchen Sie nicht, das Ladegerät zu öffnen.
- Nehmen Sie am Ladegerät keine Veränderungen vor.



Das Ladegerät darf nur im Innenbereich verwendet werden.

#### Elektrische Sicherheit



Das Ladegerät ist schutzisoliert, daher ist keine Erdleitung erforderlich. Überprüfen Sie immer, dass die Stromversorgung der Spannung auf dem Typenschild entspricht.

- Bei einer Beschädigung des Netzkabels muss dieses durch den Hersteller oder eine BLACK+DECKER Vertragswerkstatt ausgetauscht werden, um mögliche Gefahren zu vermeiden.

### Merkmale

Dieses Gerät verfügt über einige oder alle der folgenden

Merkmale:

1. Griff
2. Ein-Aus-Taste
3. Schleifplatte
4. Akku
5. Staubfangbehälter
6. Ladegerät

### Aufladen (Abb. A)

BLACK+DECKER Ladegeräte sind nur dazu vorgesehen, BLACK+DECKER Akkus aufzuladen.

- Setzen Sie das Ladegerät (6) in eine geeignete Steckdose ein, bevor Sie den Akku (4) einsetzen.
- Setzen Sie den Akku (4) wie in Abbildung A gezeigt in das Ladegerät (6) ein.
- Die grüne LED (6a) blinkt, wenn der Akku geladen wird.
- Der Abschluss des Ladevorgangs wird dadurch angezeigt, dass die grüne LED (6a) dauerhaft leuchtet. Der Akku ist vollständig aufgeladen und kann jetzt verwendet oder in der Ladestation gelassen werden.

**Hinweis:** Laden Sie entladene Akkus so bald wie möglich nach dem Gebrauch wieder auf, da sonst die Akkulebensdauer stark verringert werden kann. Um die maximal Akkulaufzeit zu erreichen, sollte der Akku nicht vollständig entladen werden. Es wird empfohlen, den Akku nach jedem Gebrauch aufzuladen.

### Belassen des Akkus im Ladegerät

Sie können den Akku (4) auch im Ladegerät (6) belassen. In diesem Fall leuchtet die LED-Anzeige dauerhaft. Das Ladegerät hält den Akku in einem vollständig geladenen Zustand.

### Wichtige Hinweise zum Aufladen

- Die längste Lebensdauer und beste Leistung wird erhalten, wenn der Akku bei einer Lufttemperatur zwischen 18° und 24°C aufgeladen wird. Laden Sie den Akku NICHT bei einer Umgebungstemperatur unter +4,5°C oder über +40,5°C auf. Dies ist wichtig und verhindert schwere Schäden am Akku.
- Das Ladegerät und der Akku können sich während des Ladevorgangs warm anfühlen. Dies ist ein normaler Zustand und weist nicht auf ein Problem hin. Um das Abkühlen des Akkus nach dem Gebrauch zu erleichtern, platzieren Sie das Ladegerät und den Akku nicht in einer warmen Umgebung, wie beispielsweise in einem Metallschuppen oder einem nicht isolierten Wohnwagen.
- Wenn der Akku nicht richtig aufgeladen wird:
  - ◆ Prüfen Sie, ob die Steckdose unter Spannung steht, indem Sie eine Lampe oder ein anderes Gerät an die Steckdose anschließen.
  - ◆ Überprüfen Sie, ob die Steckdose mit einem Lichtschalter verbunden ist, der auch das Gerät ausschaltet, wenn das Licht ausgeschaltet wird.
  - ◆ Bringen Sie Ladegerät und Akku an einen Ort, wo die Umgebungstemperatur ca. 18°-24°C beträgt.

- ◆ Wenn die Ladeprobleme bestehen bleiben, bringen Sie Werkzeug, Akku und Ladegerät zu Ihrer lokalen Vertragswerkstatt.
- Der Akku sollte aufgeladen werden, wenn das Gerät nicht mehr die volle Leistung bringt. Betreiben Sie das Werkzeug in diesem Fall NICHT WEITER. Befolgen Sie die Anweisungen bezüglich des Aufladens. Sie können auch jederzeit einen teilweise entleerten Akku aufladen, ohne dass dies nachteilige Auswirkungen auf den Akku hat.
- Leitfähige Fremdmaterialien, z.B. unter anderem Stahlwolle, Alufolie oder angesammelte Metallpartikel, sollten von Hohlräumen des Ladegeräts ferngehalten werden. Ziehen Sie den Netzstecker des Ladegerätes immer aus der Steckdose, wenn kein Akku in der Vertiefung steckt. Ziehen Sie den Netzstecker des Ladegerätes vor dem Reinigen aus der Steckdose.
- Gerät keinem Spritzwasser aussetzen oder in Wasser oder andere Flüssigkeiten tauchen.



**Warnung!** Keine Flüssigkeiten in das Ladegerät gelangen lassen. Keinesfalls versuchen, den Akku zu öffnen. Wenn das Kunststoffgehäuse des Akkus Brüche oder Risse aufweist, bringen Sie es zum Recycling zu einer Vertragswerkstatt.

### Ladegerät diagnose (Abb. B)

Die Anzeigen gemäß Abbildung B geben den Ladestatus des Akkus an.

### Defekter Akku

Wenn ein Blinkmuster für einen defekten Akku zu sehen ist, laden Sie diesen Akku nicht weiter auf. Bringen Sie ihn zu einem Kundendienstzentrum oder einer Recycling Sammelstelle.

### Verzögerung heißer/kalter Akku

Wenn das Ladegerät erkennt, dass ein Akku zu heiß oder zu kalt ist, startet es automatisch eine "Verzögerung heißer/kalter Akku", bis der Akku eine angemessene Temperatur erreicht hat. Das Ladegerät schaltet dann automatisch in den Lademodus. Diese Funktion gewährleistet eine maximale Lebensdauer des Akkus. Ein kalter Akku wird mit einer geringeren Geschwindigkeit geladen als ein warmer Akku. Der Akku wird während des gesamten Ladevorgangs mit der geringeren Geschwindigkeit geladen, die sich auch nicht erhöht, wenn der Akku wärmer wird.

### Anbringen und Entfernen des Akkus

#### Anbringen des Akkus (Abb. C)

- Setzen Sie den Akku (4) in das Werkzeug ein, bis ein Klicken zu hören ist (Abbildung C).
- Stellen Sie sicher, dass der Akku vollständig eingesetzt und eingerastet ist.

#### Entfernen des Akkus (Abb. D)

- Drücken Sie den Akku-Löseknopf (7) wie in Abbildung D gezeigt und ziehen Sie den Akku (4) aus dem Werkzeug.

### Anbringen von Schleifscheiben mit Klettverschluss (Abb. E)

Um die besten Ergebnisse zu erhalten, sollten Sie Zubehör von BLACK+DECKER verwenden.

- Ihr Schleifgerät ist dazu ausgelegt, entweder mit Hartmetall-Schleifgitter oder mit Standardschleifpapier mit einem Spanentfernungsmuster mit 8 Löchern verwendet zu werden.
- Zum Anbringen der Schleifscheibe (8) zentrieren Sie sie sorgfältig so über dem Schleifteller (3), dass die Löcher darin mit den Löchern im Schleifteller übereinstimmen, dann drücken Sie die Scheibe gut fest.
- Dank des Klettverschlusses kann die Schleifscheibe einfach wieder abgezogen werden. Bei Bedarf kann sie erneut verwendet werden.

### Verwendung



**Warnung!** Beschleunigen Sie den Arbeitsvorgang nicht mit Gewalt. Vermeiden Sie eine Überlastung.

### Ein- und Ausschalten

- Drücken Sie den Ein-/Aus-Schalter (2) in Stellung I, um das Gerät einzuschalten.
- Drücken Sie den Ein-/Aus-Schalter (2) nach hinten in Stellung O, um das Gerät auszuschalten.

### Betrieb

Halten Sie das Schleifgerät wie in Abbildung G gezeigt und schalten Sie es ein. Bewegen Sie es in langen, schwungvollen Bewegungen über die zu bearbeitende Oberfläche und lassen Sie das Gerät die Arbeit erledigen. Wird das Werkzeug beim Schleifen zu stark nach unten gedrückt, verringert sich die Abtragsrate und die Oberflächenqualität wird nicht wie gewünscht. Überprüfen Sie häufig Ihre Arbeit. Besonders wenn grobes Papier verwendet wird, entfernt das Schleifgerät schnell große Mengen an Material.

### Staubsammlung (Abb. H, I)



**Warnung!** Der Staub, der sich beim Schleifen von Beschichtungen (Polyurethan, Leinöl usw.) ansammelt, kann sich im Sammelbeutel des Schleifgeräts oder an anderen Sammelstellen selbst entzünden und zu einem Brand führen. Um Risiken zu reduzieren, sollte der Beutel häufig geleert werden, und alle Anweisungen aus dem Handbuch des Schleifgeräts und alle Hinweise des Herstellers der Beschichtungen sind strikt einzuhalten.

- Um den Behälter am Schleifgerät anzubringen, richten Sie die Nuten im Behälter (9) an den Laschen (10) des Staubabsauganschlusses aus.
- Schieben Sie den Behälter auf den Anschluss und drehen Sie ihn im Uhrzeigersinn, bis er einrastet; siehe Abbildung H.
- Zum Abnehmen drehen Sie den Behälter gegen den Uhrzeigersinn und schieben ihn wieder vom Anschluss herunter.

- Zum Entleeren nehmen Sie den Behälter vom Staubabsauganschluss ab und leeren ihn in einen geeigneten Müllbehälter, siehe Abbildung I.

**Wartung**

Ihr BLACK+DECKER Gerät wurde im Hinblick auf eine lange Lebensdauer und einen möglichst geringen Wartungsaufwand entwickelt. Ein kontinuierlicher, zufriedenstellender Betrieb hängt von der richtigen Pflege des Gerätes und seiner regelmäßigen Reinigung ab.

Das Ladegerät benötigt keine Wartung, es sollte jedoch regelmäßig gereinigt werden.



**Warnung!** Entfernen Sie vor jeglichen Wartungsarbeiten am Gerät den Akku aus dem Gerät. Ziehen Sie das Ladegerät aus der Netzsteckdose, bevor Sie es reinigen.

- Reinigen Sie regelmäßig die Lüftungsschlitze des Geräts und des Ladegeräts mit einer weichen Bürste oder einem trockenen Tuch.
- Reinigen Sie das Motorgehäuse regelmäßig mit einem feuchten Tuch. Verwenden Sie keine scheuernden Reinigungsmittel oder Reinigungsmittel auf Lösungsmittelbasis.

**Umweltschutz**



Getrennte Entsorgung. Produkte und Akkus mit diesem Symbol dürfen nicht mit dem normalen Hausmüll entsorgt werden.

Produkte und Akkus enthalten Materialien, die wiederverwertet werden können, um den Bedarf an Rohstoffen zu verringern. Bitte recyceln Sie elektrische Produkte und Akkus gemäß den örtlichen Bestimmungen. Weitere Informationen finden Sie auf [www.2helpU.com](http://www.2helpU.com)

**Technische Daten**

| BDCROS18 H1             |                   |        |
|-------------------------|-------------------|--------|
| Eingangsspannung        | V <sub>DC</sub>   | 18     |
| Schwingungen (lastfrei) | min <sup>-1</sup> | 12000  |
| Umläufe (lastfrei)      | min <sup>-1</sup> | 12000  |
| Bandabmessungen         | mm <sup>2</sup>   | 12660  |
| Gewicht                 | kg                | 0,9    |
| Akku BL1518             |                   |        |
| Spannung                | V <sub>DC</sub>   | 18     |
| Kapazität               | Ah                | 1,5    |
| Typ                     |                   | H4     |
| Ladegerät SSC-250040X   |                   |        |
| Eingangsspannung        | V <sub>AC</sub>   | 230    |
| Ausgangsspannung        | V <sub>DC</sub>   | 8 - 20 |
| Stromstärke             | mA                | 400    |

|  |
|--|
| L <sub>PA</sub> (Schalldruck) 71,5 dB(A), Unsicherheitsfaktor (K) 3 dB(A)                        |
| L <sub>WA</sub> (Schalleistung) 82,5 dB(A), Unsicherheitsfaktor (K) 3 dB(A)                      |
| Gesamtvibration (Triax-Vektorsumme) gemäß EN62841:   |
| Vibrationsemissionswert (a.) 3,4 m/s <sup>2</sup> , Unsicherheitsfaktor (K) 1,5 m/s <sup>2</sup> |



## EU-Konformitätserklärung

### MASCHINENRICHTLINIE



BDCROS18 Schleifgerät

Black & Decker erklärt, dass die in den technischen Daten beschriebenen Geräte übereinstimmen mit:  
EN62841-1:2015, EN62841-2-4:2014.

Diese Produkte entsprechen außerdem den Richtlinien 2006/42/EC, 2014/30/EU und 2011/65/EU. Weitere Informationen erhalten Sie von Black & Decker unter der folgenden Adresse. Diese befindet sich auch auf der Rückseite dieser Anleitung.

Der Unterzeichnete ist verantwortlich für die Zusammenstellung des technischen Dossiers und gibt diese Erklärung im Namen von Black & Decker ab.

A. P. Smith

Technical Director of Engineering  
Black & Decker Europe, 270 Bath Road, Slough,  
Berkshire, SL1 4DX, Großbritannien  
30.04.2019

### Garantie

Black & Decker vertraut auf die Qualität der eigenen Geräte und bietet dem Käufer eine außergewöhnliche Garantie von 24 Monaten ab Kaufdatum. Diese Garantie versteht sich unbeschadet der gesetzlichen Gewährleistungsansprüche und schränkt diese keinesfalls ein. Diese Garantie gilt innerhalb der Staatsgebiete der Mitgliedstaaten der Europäischen Union und der Europäischen Freihandelszone.

Zur Inanspruchnahme dieser Garantie muss sie den allgemeinen Geschäftsbedingungen von Black & Decker entsprechen und dem Verkäufer bzw. der Vertragswerkstatt ist ein Kaufnachweis vorzulegen.

Die Bedingungen für die 2-jährige Garantie von Black & Decker und den Standort Ihrer nächstgelegenen Vertragswerkstatt finden Sie im Internet unter [www.2helpU.comoder](http://www.2helpU.comoder) indem Sie sich an die lokale Black & Decker-Niederlassung wenden, deren Adresse Sie in dieser Anleitung finden.

Bitte besuchen Sie unsere Website unter [www.blackanddecker.de](http://www.blackanddecker.de), um Ihr neues Black & Decker-Produkt zu registrieren. Dort erhalten Sie auch Informationen über neue Produkte und Sonderangebote.

## Utilisation prévue

Votre ponçeuse BLACK+DECKER BDCROS18 a été conçue pour le ponçage rapide du bois, du métal et du plastique dans un environnement domestique. Cet outil est réservé à un usage grand public uniquement.

## Consignes de sécurité

### Avertissements de sécurité générale propres aux outils électriques



**Avertissement ! Veuillez lire tous les avertissements de sécurité, toutes les instructions, toutes les illustrations et toutes les spécifications fournies avec cet outil électrique.**

Le non-respect de toutes les instructions listées ci-dessous peut conduire à des décharges électriques, des incendies et/ou de graves blessures.

**Conservez tous les avertissements et toutes les instructions afin de pouvoir vous y référer dans le futur.** Le terme "outil électrique" mentionné dans tous les avertissements listés ci-dessous fait référence à vos outils électriques branchés sur secteur (avec câble) ou fonctionnant sur pile ou batterie (sans fil).

#### 1. Sécurité de la zone de travail

- a. **Gardez la zone de travail propre et bien éclairée.**  
Les zones sombres ou encombrées sont propices aux accidents.
- b. **N'utilisez pas d'outils électriques dans un environnement présentant des risques d'explosion ou en présence de liquides, gaz ou poussières inflammables.** Les outils électriques créent des étincelles qui peuvent enflammer les poussières et les fumées.
- c. **Maintenez les enfants et les autres personnes éloignés lorsqu'un outil électrique est en marche.** Toute distraction peut vous faire perdre le contrôle de l'outil.

#### 2. Sécurité électrique

- a. **Les prises des outils électriques doivent correspondre à la prise de courant murale. Ne modifiez jamais la prise d'aucune sorte. N'utilisez aucun adaptateur avec des outils électriques reliés à la terre.** L'utilisation de prises d'origine et de prises murales appropriées permet de réduire le risque de décharge électrique.
- b. **Évitez tout contact physique avec des surfaces reliées à la terre comme des tuyaux, des radiateurs, des fours et des réfrigérateurs par exemple.** Le risque de décharge électrique augmente si votre corps est relié à la terre.
- c. **N'exposez pas les outils électriques à la pluie, ni à l'humidité.** Le risque de décharge électrique augmente si de l'eau pénètre dans un outil électrique.
- d. **Ne tirez pas sur le cordon d'alimentation. N'utilisez jamais le cordon pour transporter, tirer ou débrancher l'outil électrique. Maintenez le cordon**

**à l'écart de la chaleur, des substances grasses, des bords tranchants ou des pièces mobiles.** Les cordons endommagés ou emmêlés augmentent le risque de décharge électrique.

- e. **Si vous utilisez un outil électrique à l'extérieur, utilisez une rallonge homologuée pour les travaux extérieurs.** L'utilisation d'une rallonge électrique homologuée pour les travaux en extérieur réduit le risque de décharge électrique.
  - f. **Si l'utilisation d'un outil électrique dans un endroit humide est inévitable, utilisez une alimentation électrique protégée par un disjoncteur différentiel à courant résiduel (DDR).** L'utilisation d'un DDR réduit le risque de décharge électrique.
- #### 3. Sécurité des personnes
- a. **Restez vigilant, surveillez ce que vous faites et faites preuve de bon sens lorsque vous utilisez un outil électrique. N'utilisez pas d'outils électriques si vous êtes fatigué ou sous l'influence de drogue, d'alcool ou de médicaments.** Tout moment d'inattention pendant l'utilisation d'un outil électrique peut engendrer de graves blessures.
  - b. **Portez des équipements de protection individuelle. Portez toujours une protection oculaire.** Les équipements de protection comme les masques à poussière, les chaussures de sécurité antidérapantes, les casques ou les protections auditives utilisés à bon escient réduisent le risque de blessures.
  - c. **Empêchez tout démarrage intempestif. Assurez-vous que l'interrupteur est en position Arrêt avant de raccorder l'outil à l'alimentation électrique et/ou au bloc-batterie ou avant de ramasser ou de transporter l'outil.** Le fait de transporter les outils électriques le doigt sur l'interrupteur ou d'alimenter les outils électriques dont l'interrupteur est déjà en position de marche augmente les accidents.
  - d. **Retirez toutes les clés ou pinces de réglage avant de mettre l'outil en marche.** Une clé ou une pince restée fixée sur une pièce rotative de l'outil électrique peut engendrer des blessures.
  - e. **Ne vous penchez pas. Gardez les pieds bien ancrés au sol et conservez votre équilibre en permanence.** Cela permet de mieux maîtriser l'outil électrique en cas de situations imprévues.
  - f. **Portez des vêtements appropriés. Ne portez aucuns vêtements amples, ni bijoux. Gardez vos cheveux et vos vêtements éloignés des pièces mobiles.** Les vêtements amples, les bijoux ou les cheveux longs peuvent être happés par les pièces mobiles.
  - g. **Si vous disposez de dispositifs pour l'extraction et la récupération des poussières, veillez à ce qu'ils soient correctement raccordés et utilisés.** L'utilisation de dispositifs récupérateurs de poussières réduit les risques liés aux poussières.

- h. **Ne pensez pas être à ce point familiarisé avec l'outil après l'avoir utilisé à de nombreuses reprises, au point de ne plus rester vigilant et d'en oublier les consignes de sécurité.** Toute action imprudente peut engendrer de graves blessures en une fraction de seconde.
4. **Utilisation et entretien d'un outil électrique**
- a. **Ne sur-sollicitez pas l'outil électrique. Utilisez le bon outil électrique, adapté à la tâche à réaliser.** Un outil adapté fonctionne mieux, de façon plus sûre et à la cadence pour laquelle il a été conçu.
- b. **N'utilisez pas l'outil électrique si l'interrupteur ne permet plus de le mettre en marche et de l'éteindre.** Tout appareil électrique qui ne peut plus être commandé par son interrupteur est dangereux et doit être réparé.
- c. **Débranchez la prise de l'outil électrique de la source d'alimentation électrique et/ou retirez-en le bloc-batterie s'il est amovible, avant d'effectuer tout réglage, de changer un accessoire ou de ranger l'outil électrique.** Ces mesures de sécurité préventives réduisent le risque de démarrage accidentel de l'outil électrique.
- d. **Rangez les outils électriques non utilisés hors de portée des enfants et ne laissez aucune personne ne connaissant pas ces outils ou leurs instructions d'utilisation les faire fonctionner.** Les outils électriques peuvent être dangereux entre des mains inexpérimentées.
- e. **Entretenez vos outils électriques et leurs accessoires. Vérifiez que les pièces mobiles sont alignées correctement et qu'elles ne sont pas coincées. Vérifiez qu'aucune pièce n'est cassée et contrôlez l'absence de toute autre condition qui pourrait nuire au bon fonctionnement de l'outil. En cas de dommage, faites réparer l'outil électrique avant de le réutiliser.** De nombreux accidents sont provoqués par des outils électriques mal entretenus.
- f. **Maintenez les outils de coupe affûtés et propres.** Des outils de coupe bien entretenus dont le tranchant est affûté sont moins susceptibles de rester coincés et sont plus faciles à contrôler.
- g. **Utilisez l'outil électrique, les accessoires et les embouts d'outils conformément à ces instructions, en tenant compte des conditions de travail et de la tâche à effectuer.** L'utilisation d'un outil électrique à des fins autres que celles pour lesquelles il a été prévu engendre des situations dangereuses.
- h. **Maintenez toutes les poignées et surfaces de préhension sèches, propres et exemptes d'huile et de graisse.** Des poignées et des surfaces de préhension glissantes ne permettent pas de manipuler et de contrôler l'outil correctement en cas de situations inattendues.
5. **Utiliser et entretenir un outil fonctionnant sur batterie (ne concerne que les outils fonctionnant sur batterie)**
- a. **N'effectuez la recharge qu'à l'aide du chargeur spécifié par le fabricant.** Un chargeur adapté pour un type de bloc-batterie peut engendrer un risque d'incendie s'il est utilisé avec un bloc-batterie différent.
- b. **N'utilisez l'outil électrique qu'avec les blocs-batteries spécifiquement prévus.** L'utilisation d'autres blocs-batteries peut créer un risque de blessures et d'incendie.
- c. **Lorsque le bloc-batterie n'est pas utilisé, éloignez-le des objets en métal comme les trombones, les pièces de monnaies, les clés, les clous, les vis ou d'autres petits objets métalliques qui pourraient créer une liaison entre les deux bornes.** La mise en court-circuit des bornes d'une batterie peut provoquer des brûlures ou un incendie.
- d. **Dans des conditions extrêmes, du liquide peut être éjecté de la batterie. Évitez tout contact. En cas de contact accidentel, rincez à l'eau. En cas de contact avec les yeux, consultez en plus un médecin.** Le liquide sortant de la batterie peut provoquer des irritations ou des brûlures.
- e. **N'utilisez jamais un bloc-batterie ou un outil qui est endommagé ou qui a été modifié.** Les batteries endommagées ou modifiées peuvent avoir un comportement imprévisible qui peut conduire à un incendie, une explosion ou à un risque de blessure.
- f. **N'exposez pas le bloc-batterie ou l'outil au feu ou à des températures excessives.** L'exposition au feu ou à des températures dépassant 130 °C peut provoquer une explosion. REMARQUE : La température "130 °C" peut être remplacée par la température "265 °F".
- g. **Respectez toutes les consignes de mise en charge et ne rechargez pas le bloc-batterie ou l'outil en dehors de la plage de températures spécifiée dans les instructions.** Une mise en charge mal effectuée ou à des températures hors de la plage spécifiée peut endommager le bloc-batterie et augmenter le risque d'incendie.
6. **Révision/Réparation**
- a. **Faites réviser/réparer votre outil électrique par une personne qualifiée, n'utilisant que des pièces de rechange d'origine.** Cela permet de garantir la sûreté de l'outil électrique.
- b. **Ne réparez jamais un bloc-batterie endommagé.** Les réparations sur les blocs-batteries ne doivent être effectuées que par le fabricant ou l'un de ses prestataires de services agréés (ne concerne que les outils fonctionnant sur batterie).

## Règles de sécurité supplémentaires propres aux ponceuses

- **Tenez l'outil électroportatif au niveau des surfaces de prise isolées car il est possible que la semelle/ bande de ponçage soient en contact avec le câble.** Le sectionnement d'un fil sous tension peut mettre les parties métalliques exposées de l'outil électrique sous tension et provoquer une décharge électrique à l'utilisateur.
- **Utilisez des pinces ou tout autre moyen pratique pour fixer et soutenir l'ouvrage sur une plateforme stable.** Tenir l'ouvrage à la main ou contre votre corps le rend instable et peut conduire à une perte de contrôle.
- L'utilisation prévue est décrite dans ce manuel d'utilisation. L'utilisation d'un accessoire ou d'un équipement ou l'utilisation de cet outil à d'autres fins que celles recommandées dans ce manuel d'utilisation peut présenter un risque de blessures et/ou de dégâts matériels.



**AVERTISSEMENT :** Tout contact ou inhalation de poussières pendant le ponçage peut présenter un danger pour la santé de l'utilisateur ainsi que des personnes autour. Portez un masque anti-poussière spécialement conçu pour vous protéger des poussières et des fumées toxiques et veillez à ce que les personnes se trouvant à l'intérieur de la zone de travail ou y pénétrant soient également protégées.



**AVERTISSEMENT :** Pour poncer des métaux ferreux, utilisez cet outil dans un endroit bien aéré. N'utilisez pas l'outil à proximité de liquides, de gaz ou de poussières inflammables. Les étincelles et les particules chaudes émises par le ponçage ou l'arc électrique des balais du moteur peuvent enflammer les matières combustibles.



**AVERTISSEMENT :** N'utilisez pas la cassette filtrant la poussière ou l'adaptateur pour l'extraction des poussières pour ranger des objets.

## Poncer de la peinture



**AVERTISSEMENT :** Respectez les réglementations applicables lorsque vous poncez de la peinture. Accordez une attention particulière aux points suivants : Dans la mesure du possible, utilisez un aspirateur pour collecter les poussières. Soyez particulièrement vigilant lorsque vous poncez de la peinture susceptible de contenir du plomb : Ne laissez pas les enfants ou les femmes enceintes entrer dans la zone de travail. Toutes les personnes qui pénètrent dans la zone de travail doivent porter un masque spécialement conçu pour assurer une protection contre les poussières et les fumées de peinture contenant du plomb. Ne mangez pas, ne buvez pas et ne fumez pas dans la zone de travail. Débarrassez-vous de toutes les particules de poussière et autres débris de façon sûre.



**AVERTISSEMENT :** Nous recommandons l'utilisation d'un dispositif différentiel à courant résiduel calibré à 30mA ou moins.

## Consignes de sécurité supplémentaires pour les ponceuses

- **Portez des protections auditives.** L'exposition au bruit peut engendrer une perte de l'ouïe.

## Risques résiduels

Certains risques résiduels autres que ceux mentionnés dans les avertissements sur la sécurité peuvent survenir en utilisant l'outil. Ces risques peuvent être provoqués par une utilisation incorrecte, prolongée, etc.

Malgré l'application de toutes les réglementations sur la sécurité pertinentes et la mise en œuvre de dispositifs de sécurité, certains risques résiduels ne peuvent pas être évités. Ils comprennent :

- Les blessures dues au contact avec des pièces mobiles/ en rotation.
- Les blessures dues au changement de pièces, de lames ou d'accessoires.
- Les blessures dues à l'utilisation prolongée d'un outil. Lorsque vous utilisez un outil quel qu'il soit pendant de longues périodes, assurez-vous de faire des pauses régulières.
- Troubles de l'ouïe.
- Les risques pour la santé dus à l'inhalation des poussières émises pendant l'utilisation de l'outil (exemple : travail avec du bois, surtout le chêne, le hêtre et les panneaux en MDF).

## Sécurité des personnes

- Cet outil ne peut pas être utilisé par des personnes (y compris des enfants) ayant des capacités physiques, sensorielles ou mentales réduites, ou celles manquant d'expérience et de connaissances, à moins qu'elles ne soient encadrées ou qu'elles n'aient été formées à l'utilisation de l'outil par une personne responsable de leur sécurité.
- Les enfants doivent être surveillés pour garantir qu'ils ne jouent pas avec l'appareil.
- L'utilisation prévue est décrite dans ce manuel d'utilisation. L'utilisation d'un accessoire ou d'un équipement ou l'utilisation de cet outil à d'autres fins que celles recommandées dans ce manuel d'utilisation peut présenter un risque de blessures et/ou de dégâts matériels.

## Vibrations

La valeur des émissions de vibrations déclarée dans les caractéristiques techniques et la déclaration de conformité a été mesurée conformément à la méthode de test normalisée établie par la norme EN62841 et peut être utilisée pour comparer un outil à un autre. La valeur des vibrations émises déclarée peut aussi être utilisée pour une évaluation préliminaire à l'exposition.



**Avertissement !** En fonction de la manière dont l'outil est utilisé, la valeur réelle des vibrations émises pendant son utilisation peut différer de la valeur déclarée. Le niveau des vibrations peut dépasser le niveau déclaré.

Quand l'exposition aux vibrations est évaluée afin de déterminer les mesures de sécurité requises par la norme 2002/44/CE pour protéger les personnes utilisant régulièrement des outils électriques, l'estimation doit tenir compte des conditions réelles d'utilisation et de la façon dont l'outil est utilisé. Il faut également tenir compte de toutes les composantes du cycle de fonctionnement comme la durée pendant laquelle l'outil est arrêté et quand il fonctionne au ralenti, ainsi que la durée du déclenchement.

### Étiquettes apposées sur l'outil

Les symboles suivant figurent sur l'outil avec le code date :



**Avertissement !** Afin de réduire le risque de blessures, l'utilisateur doit lire le manuel d'utilisation.

### Consignes de sécurité supplémentaires propres aux batteries et chargeurs

#### Batteries

- Ne tentez de les ouvrir sous aucun prétexte.
- N'exposez pas la batterie à l'eau.
- Ne la rangez pas dans des endroits où la température peut dépasser 40 °C.
- Ne procédez à la charge qu'à une température ambiante comprise entre 10 °C et 40 °C.
- Ne procédez à la charge qu'à l'aide du chargeur fourni avec l'outil.
- Au moment de jeter les batteries, respectez les instructions mentionnées à la section "Protection de l'environnement".



N'essayez pas de recharger des batteries endommagées.

#### Chargeurs

- N'utilisez votre chargeur que pour recharger la batterie fournie avec l'outil. D'autres batteries pourraient exploser et provoquer des blessures et des dommages.
- Ne tentez jamais de recharger des piles non rechargeables.
- Faites immédiatement remplacer les cordons endommagés.
- N'exposez pas le chargeur à l'eau.
- N'ouvrez pas le chargeur.
- Ne sondez pas le chargeur.



Le chargeur est conçu pour être exclusivement utilisé à l'intérieur.

#### Sécurité électrique



Ce chargeur est doublement isolé et il ne nécessite donc aucun fil de liaison à la terre. Assurez-vous toujours que l'alimentation électrique correspond à la tension mentionnée sur la plaque signalétique.

- Si le câble d'alimentation est endommagé, il doit être remplacé par le fabricant ou par un centre d'assistance agréé BLACK+DECKER afin d'éviter tout accident.

### Caractéristiques

Cet outil dispose de tout ou partie des éléments suivants.

1. Poignée
2. Bouton Marche/Arrêt
3. Patin de ponçage
4. Batterie
5. Bac à poussière
6. Chargeur

### Procédure de charge (Fig. A)

Les chargeurs BLACK+DECKER sont conçus pour recharger les blocs-batteries BLACK+DECKER.

- Branchez le chargeur (6) dans une prise appropriée avant d'insérer le bloc-batterie (4).
- Insérez le bloc-batterie (4) dans le chargeur (6) comme illustré par la figure A.
- Le voyant vert (6a) clignote pour indiquer que la batterie est en charge.
- La fin de la charge est indiquée par le voyant vert (6a) restant fixe en continu. Le bloc est alors complètement rechargé et il peut soit être utilisé, soit être laissé dans le chargeur.

**Remarque :** Rechargez les batteries déchargées dès que possible après utilisation pour ne pas grandement diminuer leur durée de vie. Pour augmenter la durée de vie de la batterie, ne la laissez pas se décharger complètement. Il est recommandé de recharger les batteries après chaque utilisation.

#### Laisser la batterie dans le chargeur

Le chargeur (6) et le bloc-batterie (4) peuvent rester raccordés avec le voyant allumé en continu. Le chargeur maintient le bloc-batterie complètement chargé.

#### Remarques importantes liées à la charge

- Une durée de vie plus longue et de meilleures performances peuvent être obtenues si le bloc-batterie est rechargé lorsque la température de l'air est comprise entre 65°F et 75°F (18° et 24°C). NE rechargez PAS le bloc-batterie à une température ambiante inférieure à +40°F (+4.5°C), ou supérieure à +105°F (+40.5°C). Cette consigne est importante et elle permet d'éviter le grave endommagement du bloc-batterie.
- Le chargeur et le bloc-batterie peuvent devenir chauds au toucher pendant la charge. Ceci est normal et n'indique pas un problème. Afin de faciliter le refroidissement du bloc-batterie après utilisation, évitez de placer le chargeur ou le bloc-batterie dans un environnement chaud comme une remise métallique ou une remorque non isolée.
- Si le bloc-batterie ne se recharge pas correctement :
  - ◆ Vérifiez la présence de courant en branchant une lampe ou un autre appareil dans la prise murale.
  - ◆ Vérifiez que la prise murale n'est pas reliée à un interrupteur coupant l'alimentation lorsqu'on éteint l'éclairage.
  - ◆ Déplacez le chargeur et le bloc-batterie dans un endroit où la température ambiante est comprise entre 65°F - 75°F (18° - 24°C).

- Si les problèmes de charge persistent, apportez l'outil, le bloc-batterie et le chargeur à votre centre d'assistance local.
- Le bloc-batterie doit être rechargé lorsqu'il ne parvient plus à fournir la puissance nécessaire aux opérations qui étaient facilement réalisées auparavant. **CESSEZ D'UTILISER** l'outil dans ces conditions. Respectez la procédure de charge. Vous pouvez également charger un bloc déjà utilisé si vous le souhaitez, sans que cela n'affecte le bloc-batterie.
- Les corps étrangers de nature conductrice tels que, notamment, la laine d'acier, le papier aluminium ou toute accumulation de particules métalliques, doivent être tenus éloignés des cavités du chargeur. Débranchez toujours le chargeur de l'alimentation électrique lorsque qu'aucun bloc-batterie n'y est installé. Débranchez le chargeur avant de le nettoyer.
- Ne congelez pas le chargeur et ne l'immergez pas dans l'eau ou dans tout autre liquide.



**Avertissement !** Ne laissez aucun liquide pénétrer dans le chargeur. Ne tentez jamais d'ouvrir le bloc-batterie pour quelque raison que ce soit. Si le corps en plastique du bloc-batterie se casse ou se fissure, retournez-le à un centre d'assistance pour qu'il y soit recyclé.

### Diagnosics du chargeur (Fig. B)

Consultez les voyants de la figure B pour connaître l'état de charge du bloc-batterie.

### Batterie défectueuse

Si le motif de clignotement indique que la batterie est défectueuse, arrêtez la charge de la batterie. Renvoyez-la dans un centre d'assistance ou un centre de collecte pour qu'elle soit recyclée.

### Délai Bloc chaud/froid

Lorsque le chargeur détecte que le bloc-batterie est trop chaud ou trop froid, il démarre automatiquement un délai Bloc Chaud/Froid, suspendant la charge jusqu'à ce que le bloc-batterie ait atteint la température adéquate. Le chargeur passe ensuite automatiquement en mode Charge. Cette fonctionnalité assure une durée de vie maximale du bloc-batterie. Un bloc-batterie froid se recharge à une cadence moins rapide qu'un bloc-batterie chaud. Le bloc-batterie se recharge à cette cadence plus lente durant tout le cycle de charge et il n'atteint pas la charge maximale même s'il se réchauffe.

### Installer et retirer le bloc-batterie de l'outil

#### Pour installer le bloc-batterie (Fig. C)

- Insérez la batterie (4) dans l'outil jusqu'à entendre un clic (Figure C)
- Assurez-vous que le bloc-batterie est bien en place et correctement verrouillé.

#### Pour retirer le bloc-batterie (Fig. D)

- Enfoncez le bouton de libération de la batterie (7) comme illustré par la figure D et tirez sur le bloc-batterie (4) pour le sortir de l'outil.

### Fixation des disques de ponçage auto-agrippants (Fig. E)

Utilisez des accessoires BLACK+DECKER pour obtenir de meilleurs résultats.

- Votre ponceuse est conçue pour être utilisée soit avec du papier abrasif tissé en carborundum soit avec du papier standard avec 8 trous pour l'extraction des poussières.
- Pour fixer le disque abrasif (8), centrez-le soigneusement sur le patin de ponçage (3) en vous assurant que les trous du disque coïncident avec les trous du patin et appuyez fermement sur le disque en place.
- Grâce au système de fixation auto-agrippant, le disque abrasif peut facilement être retiré en tirant dessus. Il peut être réutilisé au besoin.

### Utilisation



**Avertissement !** Laissez l'outil fonctionner à son propre rythme. Ne le poussez pas au-delà de sa capacité.

### Mise en marche et extinction

- Pour allumer l'outil, enfoncez l'interrupteur Marche/Arrêt (2) jusqu'à la position "I".
- Pour éteindre l'outil, enfoncez l'interrupteur Marche/Arrêt (2) jusqu'à la position O.

### Fonctionnement

Saisissez la ponceuse comme illustré par la figure G et allumez-la. Déplacez-la en parcourant la surface avec de longs balayages et en la laissant travailler. Le fait d'appuyer sur l'outil pendant le ponçage, ralentit le temps de dépose et diminue la qualité de finition. Vérifiez souvent votre travail. La ponceuse est capable de rapidement retirer la matière, notamment avec du papier à gros grains.

### Récupération des poussières (Fig. H, I)



**Avertissement !** Les poussières de ponçage provenant des revêtements de surface (polyuréthane, huile de lin, etc) peuvent s'auto-enflammer dans le sac à poussières de la ponceuse ou ailleurs et provoquer un incendie. Afin de réduire ce risque, videz régulièrement le sac et respectez scrupuleusement le manuel de la ponceuse ainsi que les instructions du fabricant du revêtement.

- Pour fixer le bac à la ponceuse, alignez les rainures du bac (9) avec les ergots (10) sur le raccord.
- Glissez le bac sur le raccord et tournez-le dans le sens des aiguilles d'une montre pour le verrouiller en place, comme illustré par la figure H.
- Pour retirer le bac, tournez-le dans le sens inverse des aiguilles d'une montre et glissez-le hors de l'outil.
- Pour vider le bac, retirez-le du raccord et videz les débris dans un récipient adapté, Figure I.

## Maintenance

Votre outil BLACK+DECKER a été conçu pour fonctionner pendant longtemps avec un minimum d'entretien. Le fonctionnement continu et satisfaisant de l'outil dépend de son bon entretien et de son nettoyage régulier.

Votre chargeur ne nécessite aucun entretien particulier, à l'exception d'un nettoyage régulier.



**Avertissement !** Avant de réaliser toute tâche de maintenance sur l'outil, retirez la batterie. Débranchez le chargeur avant de le nettoyer.

- Nettoyez régulièrement les fentes d'aération de votre outil et du chargeur à l'aide d'une brosse souple ou d'un chiffon sec.
- Nettoyez régulièrement le bloc-moteur à l'aide d'un chiffon humide. N'utilisez pas de détergents abrasifs ou à base de solvants.

## Protection de l'environnement



Tri sélectif. Les produits et piles/batteries marqués de ce symbole ne doivent pas être jetés avec les déchets ménagers.

Les produits et batteries contiennent des matières qui peuvent être récupérées et recyclées afin de réduire la demande en matières premières. Veuillez à recycler les produits électriques et les batteries/piles conformément aux prescriptions locales en vigueur. Pour plus d'informations, consultez le site [www.2helpU.com](http://www.2helpU.com)

## Caractéristiques techniques

| BDCROS18 H1                      |                   |        |
|----------------------------------|-------------------|--------|
| Tension d'entrée                 | $V_{cc}$          | 18     |
| Oscillations (à vide)            | $\text{min}^{-1}$ | 12000  |
| Orbites (à vide)                 | $\text{min}^{-1}$ | 12000  |
| Surface de la semelle de ponçage | $\text{mm}^2$     | 12660  |
| Poids                            | kg                | 0,9    |
| Batterie BL1518                  |                   |        |
| Tension                          | $V_{cc}$          | 18     |
| Capacité                         | Ah                | 1,5    |
| Type                             |                   | H4     |
| Chargeur SSC-250040X             |                   |        |
| Tension d'entrée                 | $V_{ca}$          | 230    |
| Tension de sortie                | $V_{cc}$          | 8 - 20 |
| Courant                          | mA                | 400    |

$L_{pA}$  (pression sonore) 71,5 dB(A), incertitude (K) 3 dB(A)

$L_{WA}$  (puissance sonore) 82,5 dB(A), incertitude (K) 3 dB(A)

Valeurs totales des vibrations (somme vectorielle triaxiale) selon la norme EN62841 :

Valeur des vibrations émises ( $a_{w,3}$ ) 3,4  $\text{m/s}^2$ , incertitude (K) 1,5  $\text{m/s}^2$

## Déclaration de conformité CE

DIRECTIVES MACHINES



BDCROS18 Ponceuse

Black & Decker déclare que les produits décrits dans les "Caractéristiques techniques" sont conformes aux normes : EN62841-1:2015 , EN62841-2-4:2014.

Ces produits sont également conformes aux Directives 2006/42/CE, 2014/30/UE et 2011/65/UE. Pour plus de détails, veuillez contacter Black & Decker à l'adresse suivante ou consulter la dernière page du manuel.

Le soussigné est responsable de la compilation du dossier technique et fait cette déclaration au nom de Black & Decker .

A. P. Smith

Directeur technique Ingénierie  
Black & Decker Europe, 270 Bath Road, Slough,  
Berkshire, SL1 4DX, Royaume-Uni  
30/04/2019

## Garantie

Black & Decker est sûr de la qualité de ses produits et offre une garantie de 24 mois aux utilisateurs, à partir de la date d'achat. Cette garantie s'ajoute à vos droits légaux auxquels elle ne porte aucunement préjudice. Cette garantie est valable au sein des territoires des États membres de l'Union Européenne et au sein de la Zone européenne de libre-échange.

Pour prétendre à la garantie, la réclamation doit être conforme aux conditions générales de Black & Decker et vous devez fournir une preuve d'achat au vendeur ou au réparateur agréé.

Les conditions générales de la garantie Black & Decker de 2 ans ainsi que l'adresse du réparateur agréé le plus proche sont disponibles sur le site Internet [www.2helpU.com](http://www.2helpU.com), ou en contactant votre agence locale Black & Decker à l'adresse indiquée dans le présent manuel.

Veuillez consulter notre site Internet [www.blackanddecker.co.uk](http://www.blackanddecker.co.uk) pour enregistrer votre nouveau produit Black & Decker et pour être tenu informé des nouveaux produits et offres spéciales.

## Uso previsto

La levigatrice BLACK+DECKER BDCROS18 è stata progettata per la levigatura rapida di legno, metallo e plastica in un ambiente di consumo. Questo elettroutensile è destinato esclusivamente all'uso privato.

## Istruzioni di sicurezza

### Avvertenze di sicurezza generali per gli elettroutensili



**Avvertenza! Leggere attentamente tutte le avvertenze, istruzioni, illustrazioni e specifiche fornite con l'elettroutensile.** La mancata osservanza delle istruzioni seguenti può dar luogo a scossa elettrica, incendio e/o lesioni personali gravi.

### Conservare tutte le avvertenze e le istruzioni per riferimenti futuri.

Il termine "elettroutensile" utilizzato in tutte le avvertenze elencate di seguito fa riferimento sia agli utensili elettrici alimentati tramite una rete elettrica (con cavo) che agli utensili elettrici a batteria (senza cavo).

#### 1. Sicurezza dell'area di lavoro

- a. **Tenere pulita e ben illuminata l'area di lavoro.** Gli ambienti disordinati o scarsamente illuminati favoriscono gli incidenti.
- b. **Evitare di impiegare gli elettroutensili in ambienti esposti al rischio di esplosione, come ad esempio in presenza di liquidi, gas o polveri infiammabili.** Gli elettroutensili generano scintille che possono incendiare le polveri o i fumi.
- c. **Tenere lontani bambini e altre persone presenti mentre si usa un elettroutensile.** Eventuali distrazioni possono provocare la perdita di controllo.

#### 2. Sicurezza elettrica

- a. **Le spine elettriche degli elettroutensili devono essere adatte alla presa di corrente. Non modificare la spina in alcun modo. Non utilizzare spine con adattatore con un elettroutensile dotato di messa a terra.** Per ridurre il rischio di scossa elettrica evitare di modificare le spine e utilizzare sempre le prese di corrente appropriate.
- b. **Evitare il contatto fisico con superfici collegate a terra, come tubi, radiatori, forni e frigoriferi.** Se il corpo dell'utilizzatore è collegato a terra, il rischio di scossa elettrica aumenta.
- c. **Custodire gli elettroutensili al riparo dalla pioggia o dall'umidità.** Se dovesse penetrare dell'acqua all'interno dell'elettroutensile, il rischio di scossa elettrica aumenta.
- d. **Non utilizzare il cavo di alimentazione in modo improprio. Non spostare, tirare o scollegare mai l'elettroutensile tirandolo dal cavo. Tenere il cavo di alimentazione lontano da fonti di calore, olio, bordi taglienti o parti in movimento.** Se il cavo di alimentazione è danneggiato o impigliato, il rischio di scossa elettrica aumenta.

- e. **Se l'elettroutensile viene adoperato all'aperto, usare esclusivamente prolunghe omologate per l'impiego all'esterno.** L'uso di un cavo di alimentazione idoneo per esterni riduce il rischio di scossa elettrica.
- f. **Se non è possibile evitare di lavorare in una zona umida, collegarsi a una rete elettrica protetta da un interruttore differenziale salvavita (RCD).** L'uso di un RCD salvavita riduce il rischio di scossa elettrica.

#### 3. Sicurezza personale

- a. **È importante concentrarsi su ciò che si sta facendo e maneggiare con giudizio l'elettroutensile. Non utilizzare l'elettroutensile quando si è stanchi o sotto l'effetto di sostanze stupefacenti, alcool o medicinali.** Un solo attimo di distrazione durante l'uso dell'elettroutensile potrebbe provocare gravi lesioni personali.
- b. **Usare dispositivi di protezione individuale. Indossare sempre occhiali di protezione.** L'uso di dispositivi di protezione, quali maschere antipolvere, scarpe antinfortunistiche antiscivolo, elmetti di sicurezza o protezioni per l'udito in condizioni opportune consente di ridurre le lesioni personali.
- c. **Prevenire l'avvio accidentale. Assicurarsi che l'interruttore sia in posizione di spegnimento prima di collegare l'elettroutensile alla presa elettrica e/o inserire il pacco batteria e prima di afferrare o trasportare l'elettroutensile.** Per non esporsi al rischio di incidenti, non trasportare l'elettroutensile tenendo le dita sull'interruttore e non collegarlo a una fonte di alimentazione elettrica con l'interruttore in posizione di accensione.
- d. **Prima di accendere un elettroutensile, rimuovere eventuali chiavi o attrezzi di regolazione.** Un utensile di regolazione o una chiave fissati a una parte rotante dell'elettroutensile possono provocare lesioni personali.
- e. **Non sporgersi troppo. Mantenere sempre un appoggio e un equilibrio adeguati.** In tal modo è possibile mantenere un migliore controllo dell'elettroutensile nelle situazioni impreviste.
- f. **Indossare indumenti adeguati. Non indossare abiti larghi o gioielli. Tenere i capelli e gli indumenti lontani dalle parti mobili.** Abiti larghi, gioielli o capelli lunghi possono impigliarsi nelle parti in movimento.
- g. **Se gli elettroutensili sono provvisti di attacchi per il collegamento di dispositivi di aspirazione o di raccolta delle polveri, assicurarsi che questi siano installati e utilizzati correttamente.** L'impiego di dispositivi per la raccolta delle polveri può ridurre i pericoli legati a queste ultime.
- h. **Non lasciare che la familiarità acquisita dall'uso frequente degli utensili induca a cedere alla tentazione di ignorare i principi di utilizzo sicuro**



degli stessi. Un'azione imprudente potrebbe provocare lesioni personali gravi in una frazione di secondo.

#### 4. Uso e cura dell'elettrotensile

- a. **Non sovraccaricare l'elettrotensile. Utilizzare un elettrotensile adatto al lavoro da eseguire.**  
L'elettrotensile lavora meglio e con maggior sicurezza se utilizzato secondo quanto è stato previsto.
- b. **Non utilizzare elettrotensili con interruttori di accensione/spengimento difettosi.** Qualsiasi elettrotensile che non possa essere controllato tramite l'interruttore è pericoloso e deve essere riparato.
- c. **Staccare la spina dalla presa di corrente e/o rimuovere il pacco batteria, se rimovibile, dall'elettrotensile prima di effettuare qualsiasi tipo di regolazione, prima di cambiare gli accessori o di riporlo.** Queste misure di sicurezza preventive riducono il rischio di azionare accidentalmente l'elettrotensile.
- d. **Quando non vengono usati, gli elettrotensili devono essere custoditi fuori dalla portata dei bambini. Non consentire l'uso dell'elettrotensile a persone inesperte o che non abbiano letto queste Istruzioni.** Gli elettrotensili sono pericolosi in mano a persone inesperte.
- e. **Sottoporre gli elettrotensili e gli accessori a regolare manutenzione. Verificare che le parti mobili siano correttamente allineate e non inceppate, che non vi siano componenti rotti e che non sussistano altre condizioni che possono compromettere il funzionamento dell'elettrotensile. Se l'elettrotensile è danneggiato, farlo riparare prima dell'uso.** Molti incidenti sono provocati da elettrotensili non sottoposti a corretta manutenzione.
- f. **Mantenere affilati e puliti gli utensili da taglio.** La manutenzione corretta degli utensili da taglio con bordi affilati riduce le probabilità di inceppamento e ne facilita il controllo.
- g. **Utilizzare l'elettrotensile, gli accessori e le punte in conformità a queste istruzioni, tenendo conto delle condizioni operative e del lavoro da eseguire.** L'utilizzo dell'elettrotensile per impieghi diversi da quelli previsti può provocare situazioni di pericolo.
- h. **Mantenere le impugnature e le superfici di presa asciutte, pulite e senza tracce di olio o grasso.** Impugnature e superfici di presa scivolose non consentono di maneggiare e controllare in modo sicuro l'elettrotensile nel caso di imprevisti.

#### 5. Utilizzo e cura degli elettrotensili a batteria (solo per elettrotensili a batteria)

- a. **Ricaricare la batteria esclusivamente con il caricabatteria specificato dal produttore.** Un caricabatteria adatto a un determinato tipo di pacco batteria può provocare il rischio di incendio se utilizzato con un pacco batteria diverso.
- b. **Gli elettrotensili vanno usati esclusivamente con i pacchi batteria specificatamente indicati.** L'impiego di pacchi batteria di tipo diverso potrebbe comportare il rischio di lesioni alle persone e incendio.
- c. **Quando non è in uso, il pacco batteria deve essere custodito lontano da oggetti metallici come graffette, monete, chiavi, chiodi, viti o altre minuterie in metallo che possono creare contatto tra i poli.** Il cortocircuito dei terminali della batteria può provocare ustioni o un incendio.
- d. **In condizioni di sovraccarico, le batterie possono perdere liquido: evitare di toccarlo. In caso di contatto accidentale, sciacquare la pelle con abbondante acqua. Se il liquido dovesse entrare a contatto con gli occhi, rivolgersi anche a un medico.** Il liquido che fuoriesce dalla batteria può causare irritazioni o ustioni.
- e. **Non utilizzare un pacco batteria o un elettrotensile se danneggiati o modificati.** Le batterie danneggiate o modificate potrebbero manifestare un comportamento imprevedibile, con la possibilità di causare un'esplosione o un incendio.
- f. **Non esporre un pacco batteria o un elettrotensile al fuoco o a temperature elevate.** L'esposizione al fuoco o a una temperatura superiore a 130 °C potrebbe provocare un'esplosione. NOTA: 130 °C di temperatura corrispondono a una temperatura di 265 °F.
- g. **Seguire tutte le istruzioni per la carica e non caricare il pacco batteria o l'elettrotensile a una temperatura che non rientri nell'intervallo di valori specificato nelle istruzioni.** Una carica effettuata in maniera scorretta o a una temperatura che non rientra nell'intervallo di valori specificato, potrebbe danneggiare la batteria aumentando il rischio d'incendio.

#### 6. Assistenza

- a. **Fare riparare l'elettrotensile esclusivamente da personale specializzato che utilizzi solo ricambi originali.** In questo modo viene garantita la sicurezza dell'elettrotensile.
- b. **Non riparare i pacchi batteria danneggiati.** Gli interventi di riparazione sui pacchi batteria devono essere eseguiti dal produttore o da fornitori di assistenza autorizzati (solo per gli elettrotensili a batteria).

## Norme di sicurezza aggiuntive specifiche per le levigatrici

- **Tenere l'elettrotensile dalle superfici di presa isolate, dato che il nastro/la base di levigatura potrebbe venire a contatto con il cavo di alimentazione.** Il taglio di un filo sotto tensione mette sotto tensione le parti metalliche esposte dell'elettrotensile e potrebbe esporre l'operatore a scosse elettriche.
- **Usare morse o altri metodi pratici per fissare e bloccare il pezzo in lavorazione a una piattaforma stabile.** Tenere il pezzo in lavorazione con le mani o contro il corpo non ne assicura la stabilità e potrebbe comportare la perdita di controllo dell'elettrotensile.
- L'uso previsto è descritto in questo manuale d'istruzioni. L'impiego dell'elettrotensile con accessori o dotazioni o per scopi diversi da quelli raccomandati in questo manuale di istruzioni, potrebbe comportare il rischio che si verifichino lesioni alle persone e/o danni materiali.



**AVVERTENZA:** il contatto o l'inalazione delle polveri generate durante la levigatura potrebbe nuocere alla salute dell'operatore e delle eventuali altre persone presenti. Indossare una maschera anti-polvere appositamente progettata per proteggere dalle polveri e dai fumi tossici e assicurarsi che anche le persone che si trovano all'interno dell'area di lavoro o che vi accedono siano protette.



**AVVERTENZA:** quando si levigano metalli ferrosi, lavorare in una zona ben ventilata. Non usare l'elettrotensile in prossimità di liquidi, gas o polvere infiammabili. Le scintille o le particelle calde generate dalla levigatura o l'arco elettrico prodotto delle spazzole del motore potrebbero incendiare i materiali combustibili.



**AVVERTENZA:** non utilizzare la cassetta del filtro antipolvere o l'adattatore per l'aspirazione delle polveri per riporre oggetti.

## Carteggiatura di vernici



**AVVERTENZA:** osservare le norme di sicurezza previste per la carteggiatura di superfici verniciate. Prestare particolare attenzione a quanto segue: Se possibile, utilizzare sempre un aspirapolvere per la raccolta delle polveri. Prestare particolare attenzione quando si carteggiano vernici che potrebbero essere a base di piombo. Vietare l'accesso all'area di lavoro a bambini o donne in gravidanza. Tutte le persone che accedono all'area di lavoro devono indossare una maschera specifica per fumi e polveri di vernice a base di piombo. Non mangiare, bere o fumare nell'area di lavoro. Smaltire polvere e rifiuti adottando le necessarie misure di sicurezza.



**AVVERTENZA:** si raccomanda l'uso di un interruttore differenziale (RCD) salvavita con una corrente residua nominale di 30 mA o inferiore.

## Ulteriori precauzioni di sicurezza per le levigatrici

- **Utilizzare dispositivi di protezione per l'udito.**

L'esposizione al rumore può causare la perdita dell'udito.

## Rischi residui

L'utilizzo dell'elettrotensile può comportare rischi residui non necessariamente riportati in queste avvertenze di sicurezza. Tali rischi possono sorgere a seguito di un uso prolungato o improprio, ecc.

Malgrado il rispetto delle norme di sicurezza pertinenti e l'implementazione di dispositivi di sicurezza, alcuni rischi residui non possono essere evitati. Sono inclusi:

- lesioni personali causate dal contatto con parti rotanti/in movimento;
- lesioni personali subite durante la sostituzione di parti, lame o accessori;
- lesioni personali causate dall'impiego prolungato di un elettrotensile; (quando si utilizza qualsiasi utensile per lunghi periodi, accertarsi di fare regolarmente delle pause);
- menomazioni uditive;
- rischi per la salute causati dall'aspirazione di polvere generata durante l'uso dell'elettrotensile (ad esempio quando si lavora con il legno, in modo particolare quello di quercia, faggio o l'MDF).

## Sicurezza altrui

- Questo elettrotensile non è stato progettato per l'impiego da parte di persone portatrici di handicap fisici, psichici o sensoriali di qualsiasi età, o di soggetti che non siano in possesso della dovuta esperienza o conoscenza, salvo che siano seguite o opportunamente istruite sul suo impiego da parte di una persona responsabile della loro sicurezza.
- Sorvegliare i bambini per assicurarsi che non giochino con l'elettrotensile.
- L'uso previsto è descritto in questo manuale d'istruzioni. L'impiego dell'elettrotensile con accessori o dotazioni o per scopi diversi da quelli raccomandati in questo manuale di istruzioni, potrebbe comportare il rischio che si verifichino lesioni alle persone e/o danni materiali.

## Vibrazione

I valori di emissione di vibrazione dichiarati, indicati al paragrafo Dati tecnici e nella Dichiarazione di conformità, sono stati misurati in base al metodo di prova standard previsto dalla normativa EN62841 e possono essere usati come parametri di confronto tra due elettrotensili. Il valore di emissione di vibrazione dichiarato può anche essere usato per una valutazione preliminare dell'esposizione.



**Avvertenza!** Il valore di emissione di vibrazione durante l'impiego effettivo dell'elettrotensile può variare da quello dichiarato a seconda delle modalità d'uso. Il livello di vibrazione può aumentare oltre quello dichiarato.

Quando si valuta l'esposizione alla vibrazione per determinare le misure di sicurezza richieste dalla norma 2002/44/CE destinata alla protezione delle persone che utilizzano regolarmente elettrotensili per lo svolgimento delle proprie mansioni, è necessario prendere in considerazione le condizioni effettive di impiego e il modo in cui l'elettrotensile viene usato, oltre che tenere conto di tutte le componenti del ciclo operativo, vale a dire i periodi in cui l'elettrotensile rimane spento, quelli in cui è acceso ma fermo e quelli in cui viene effettivamente utilizzato.

### Etichette sull'elettrotensile

Sull'elettrotensile sono presenti i seguenti simboli assieme al codice data:



**Avvertenza!** Per ridurre il rischio di lesioni personali, l'utente deve leggere attentamente il manuale di istruzioni.

### Istruzioni di sicurezza aggiuntive riguardanti batterie e caricabatterie

#### Batterie

- Non tentare mai di aprire la batteria per alcun motivo.
- Non lasciare che la batteria si bagni.
- Non conservare la batteria in luoghi dove la temperatura potrebbe superare i 40 °C.
- Caricare la batteria solo a temperature ambientali comprese tra 10 °C e 40 °C.
- Caricare la batteria esclusivamente con il caricabatterie fornito in dotazione con l'elettrotensile.
- Quando si smaltiscono le batterie, seguire le istruzioni riportate nella sezione "Tutela ambientale".



Non tentare di caricare batterie danneggiate.

#### Caricabatterie

- Usare il caricabatterie solo per caricare la batteria nell'elettrotensile con il quale è stato fornito. Tipi diversi di batterie potrebbero scoppiare provocando lesioni personali e danni materiali.
- Non tentare mai di caricare batterie non ricaricabili.
- Fare sostituire immediatamente i cavi di alimentazione difettosi.
- Non lasciare che il caricabatterie si bagni.
- Non aprire il caricabatterie.
- Non collegare il caricabatterie a sonde.



Il caricabatterie è destinato esclusivamente all'uso in ambienti interni.

#### Sicurezza elettrica



Il doppio isolamento di cui è provvisto questo caricabatterie rende superfluo il filo di terra. Assicurarsi che la tensione della rete di alimentazione corrisponda al valore indicato sulla targhetta dei valori nominali.

- In caso di danneggiamento del cavo di alimentazione è necessario farlo riparare dal produttore o presso un Centro di assistenza BLACK+DECKER autorizzato in modo da evitare pericoli.

### Caratteristiche

Questo apparecchio presenta alcune o tutte le seguenti caratteristiche.

1. Impugnatura
2. Pulsante di accensione/spengimento
3. Platorello di levigatura
4. Batteria
5. Contenitore polvere
6. Caricabatterie

### Procedura di carica (Fig. A)

I caricabatterie BLACK+DECKER sono progettati per caricare i pacchi batteria BLACK+DECKER.

- Collegare il caricabatterie (6) a una presa di corrente adatta prima di inserirvi il pacco batteria (4).
- Inserire il pacco batteria (4) nel caricabatterie (6), come illustrato nella Figura A.
- Il LED verde (6a) lampeggia mentre la carica è in corso.
- Il completamento della carica è indicato dal LED verde (6a) che rimane acceso fisso. Il pacco batteria a quel punto è completamente carica e può essere utilizzato subito o lasciato nel caricabatterie.

**Nota:** ricaricare le batterie scariche al più presto dopo l'uso, altrimenti la loro durata potrebbe ridursi notevolmente. Per la massima durata delle batterie, non lasciarle scaricare completamente. Consigliamo di ricaricare le batterie dopo ciascun impiego.

#### Batteria lasciata nel caricabatterie

Il caricabatterie (6) e il pacco batteria (4) possono essere lasciati collegati con il LED sempre acceso. Il caricabatterie manterrà il pacco batteria come nuovo e completamente carico.

#### Note importanti riguardanti la carica

- È possibile ottenere la massima durata e prestazioni ottimali se la batteria viene caricata con una temperatura dell'aria è compresa tra 18 e 24 °C (65 - 75 °F). NON caricare la batteria a una temperatura dell'aria inferiore a +4,5°C (+40°F) o superiore a +40,5°C (+105°F). Questa precauzione è importante e consentirà di evitare gravi danni alla batteria.
- Il caricabatterie e il pacco batteria possono diventare caldi al tatto durante la carica. Si tratta di un fenomeno normale che non indica la presenza di problemi. Per agevolare il raffreddamento del pacco batteria dopo l'uso, evitare di posizionare il caricabatterie o il pacco batteria in un ambiente caldo come ad esempio all'interno di un capannone di metallo o di un rimorchio non isolato.
- Se il pacco batteria non si carica correttamente:
  - ◆ verificare la presenza di corrente nella presa di corrente, collegandovi una lampada o apparecchio simile;
  - ◆ verificare se la presa è collegata ad un interruttore della luce che si spegne quando si spengono le luci;
  - ◆ spostare il caricabatterie e il pacco batteria in un luogo in cui la temperatura dell'aria circostante è di circa 18-24 °C (65-75 °F).

- Se i problemi di carica persistono, portare l'elettrotensile, il pacco batteria e il caricabatterie presso il centro di assistenza di zona.
- Il pacco batteria deve essere sostituito se non riesce a produrre energia a sufficienza per svolgere lavori che prima venivano eseguiti con facilità. **NON CONTINUARE** a usarlo in queste condizioni. Seguire la procedura di carica. È anche possibile caricare un pacco batteria parzialmente usato ogni volta che si desidera senza alcun effetto negativo sul pacco batteria stesso.
- Materiali estranei di natura conduttiva quali, a titolo esemplificativo, ma non esaustivo, lana d'acciaio, fogli di alluminio o qualsiasi accumulo di particelle metalliche, devono essere tenuti lontano dalle cavità del caricabatterie. Scollegare sempre il caricabatterie dalla presa di corrente quando il pacco batteria non è in sede. Scollegare il caricabatterie dalla presa di corrente prima di iniziare a pulirlo.
- Non immergere alcuna parte del caricabatterie in acqua o altri liquidi.



**Avvertenza!** Non far penetrare alcun liquido all'interno del caricabatterie. Non tentare mai di aprire il pacco batteria per alcun motivo. Se l'alloggiamento in plastica del pacco batteria dovesse rompersi o crepare, portarlo presso un centro di assistenza per il suo riciclaggio.

### Diagnostica del caricabatterie (Fig. B)

Per conoscere lo stato di carica del pacco batteria fare riferimento agli indicatori illustrati nella Figura B.

### Batteria guasta

Se compare un simbolo di batteria guasta che lampeggia, non continuare a caricare la batteria. Portarla presso un centro di assistenza o un sito di raccolta per il riciclaggio.

### Ritardo per pacco caldo/freddo

Quando il caricabatterie rileva un pacco batteria troppo caldo o troppo freddo avvia automaticamente un ritardo per pacco caldo/freddo, sospendendo la carica finché il pacco batteria avrà raggiunto la temperatura appropriata. Il caricabatterie passa quindi automaticamente alla modalità di carica. Questa funzione garantisce la massima durata del pacco batteria. Un pacco batteria freddo si carica a una velocità inferiore rispetto a un pacco batteria caldo. Il pacco batteria si caricherà a una velocità rallentata per tutto il ciclo di carica e non tornerà alla velocità di carica massima anche se si scalda.

### Inserimento e rimozione del pacco batteria dall'elettrotensile

#### Per installare il pacco batteria (Fig. C)

- Inserire la batteria (4) nell'elettrotensile finché non si avverte un clic (Figura C).
- Assicurarsi che il pacco batteria sia inserito a fondo e completamente bloccato in posizione.

#### Per rimuovere il pacco batteria (Fig. D)

- Premere il pulsante di rilascio della batteria (7) come illustrato nella Figura D ed estrarre il pacco batteria (4) dall'elettrotensile.

### Dischi abrasivi con sistema di fissaggio in velcro (Fig. E)

Per ottenere i migliori risultati, utilizzare esclusivamente accessori BLACK+DECKER originali.

- Questa levigatrice è concepita per l'uso con dischi abrasivi standard o retinati in carburo di silicio con schema di foratura a 8 fori per l'aspirazione della polvere.
- Per montare il disco abrasivo (8), centrarlo attentamente sul platello di levigatura (3) assicurandosi di allineare i fori del disco con i fori del platello, e premervi sopra con decisione per fissarlo.
- Grazie al sistema di fissaggio in velcro, il disco abrasivo può essere facilmente rimosso e riutilizzato, se lo si desidera.

### Uso



**Avvertenza!** Lasciare che l'elettrotensile funzioni al proprio ritmo. Non sovraccaricarlo.

### Accensione e spegnimento

- Per accendere l'elettrotensile, premere il pulsante di accensione/spegnimento (2) in posizione "I".
- Per spegnere l'elettrotensile, premere il pulsante di accensione/spegnimento (2) in posizione "O".

### Funzionamento

Afferrare la levigatrice come illustrato nella Figura G e accenderla. Muoversi compiendo colpi lunghi e ampi lungo la superficie e lasciare che la levigatrice svolga il suo lavoro. Se mentre la levigatrice è in uso si esercita su di essa una pressione verso il basso, la velocità di rimozione si riduce e qualità della finitura prodotta è inferiore. Controllare spesso il lavoro. La levigatrice è in grado di rimuovere rapidamente il materiale, in modo particolare se si utilizza carta abrasiva di grana grossa.

### Raccolta della polvere (Figg. H e I)



**Avvertenza!** La polvere prodotta con la levigatura di superfici rivestite (con poliuretano, olio di semi di lino, ecc.) potrebbe autoincendiarsi nel contenitore raccogli-polvere della levigatrice o in altri luoghi e scatenare un incendio. Per ridurre questo rischio, svuotare spesso il sacchetto raccogli-polvere e attenersi rigorosamente alle istruzioni contenute nel manuale della levigatrice e alle indicazioni del produttore dei materiali di rivestimento.

- Per collegare il contenitore raccogli-polvere alla levigatrice, allineare le scanalature del contenitore (9) con le sporgenze (10) sulla presa per aspirazione polveri.
- Fare scorrere il contenitore raccogli-polvere sulla presa per aspirazione polveri e ruotarlo in senso orario per bloccarlo in sede, come illustrato nella Figura H.
- Per rimuovere il contenitore raccogli-polvere ruotarlo in senso antiorario ed estrarlo dalla levigatrice facendolo scorrere.
- Per svuotare il contenitore rimuoverlo dalla presa per aspirazione polveri e gettare gli scarti della levigatura nel contenitore per i rifiuti opportuno (Fig. I).

## Manutenzione

Questo elettrotensile BLACK+DECKER è stato progettato per funzionare a lungo con una manutenzione minima. Prestazioni sempre soddisfacenti dipendono da una cura appropriata e da una pulizia regolare.

Il caricabatterie non richiede alcuna manutenzione, ad eccezione di una regolare pulizia.



**Avvertenza!** Prima di eseguire interventi di manutenzione sull'elettrotensile, estrarre la batteria. Scollegare il caricabatterie dalla presa di corrente prima di pulirlo.

- Pulire regolarmente le prese di ventilazione dell'elettrotensile e del caricabatterie con un pennello o con un panno morbido e asciutto.
- L'alloggiamento del motore deve essere pulito periodicamente con un panno umido. Non usare sostanze abrasive o detersivi a base di solventi.

## Tutela ambientale



Raccolta differenziata. I prodotti e le batterie contrassegnati con questo simbolo non devono essere smaltiti con i rifiuti domestici normali.

I prodotti e le batterie contengono materiali che possono essere recuperati o riciclati, riducendo la richiesta di materie prime. Riciclare i prodotti elettrici e le batterie attenendosi alle disposizioni locali vigenti. Ulteriori informazioni sono disponibili all'indirizzo [www.2helpU.com](http://www.2helpU.com).

## Dati tecnici

| BDCROS18 H1                         |                   |        |
|-------------------------------------|-------------------|--------|
| Tensione in ingresso                | $V_{DC}$          | 18     |
| Oscillazioni (a vuoto)              | $\text{min}^{-1}$ | 12000  |
| Rotazioni (a vuoto)                 | $\text{min}^{-1}$ | 12000  |
| Superficie della base di levigatura | $\text{mm}^2$     | 12660  |
| Peso                                | kg                | 0,9    |
| Batteria BL1518                     |                   |        |
| Tensione                            | $V_{CC}$          | 18     |
| Capacità                            | Ah                | 1,5    |
| Tipo                                |                   | H4     |
| Caricabatterie SSC-250040X          |                   |        |
| Tensione in ingresso                | $V_{CA}$          | 230    |
| Tensione erogata                    | $V_{CC}$          | 8 - 20 |
| Corrente                            | mA                | 400    |

$L_{pa}$  (pressione sonora) 71,5 dB(A), incertezza (K) 3 dB(A)

$L_{wa}$  (pressione acustica) 82,5 dB(A), incertezza (K) 3 dB(A)

Valori totali di emissione di vibrazione (somma vettore triassiale) in conformità alla norma EN62841:

Valore di emissione di vibrazione ( $a_w$ ) 3,4  $\text{m/s}^2$ , incertezza (K) 1,5  $\text{m/s}^2$

## Dichiarazione di conformità CE

DIRETTIVA MACCHINE



BDCROS18 Levigatrice

Black & Decker dichiara che i prodotti descritti nella sezione "Dati tecnici" sono conformi alle seguenti normative: EN62841-1:2015, EN62841-2-4:2014.

Questi prodotti sono conformi alle Direttive 2006/42/CE, 2014/30/UE e 2011/65/UE. Per ulteriori informazioni contattare Black & Decker al seguente indirizzo oppure consultare l'ultima di copertina del manuale.

Il firmatario è responsabile della compilazione del documento tecnico e rende questa dichiarazione per conto di Black & Decker.

A. P. Smith

Direttore tecnico

Black & Decker Europe, 270 Bath Road, Slough,  
Berkshire, SL1 4DX, Regno Unito  
30/04/2019

## Garanzia

Black & Decker è certa della qualità dei propri prodotti e offre ai consumatori una garanzia di 24 mesi dalla data di acquisto. Il presente certificato di garanzia è complementare ai diritti legali e non li pregiudica in alcun modo. La garanzia è valida nei territori degli Stati membri dell'Unione Europea o dell'EFTA (Associazione europea di libero scambio).

Per attivare la garanzia, la richiesta di intervento e riparazione in garanzia deve essere effettuata in accordo con i Termini e condizioni Black&Decker e sarà necessario presentare la prova di acquisto al venditore o all'agente di riparazione autorizzato.

I Termini e Condizioni della garanzia Black & Decker di 2 anni e la sede dell'agente di riparazione autorizzato più vicino sono consultabili su Internet all'indirizzo [www.2helpU.com](http://www.2helpU.com) o contattando l'ufficio Black & Decker di zona all'indirizzo indicato in questo manuale.

Visitare il nostro sito [www.blackanddecker.co.uk](http://www.blackanddecker.co.uk) per registrare il prodotto Black & Decker appena acquistato e ricevere gli aggiornamenti su nuovi prodotti e offerte speciali.

## Bedoeld gebruik

Deze BLACK+DECKER BDCROS18-schuurmachine is ontworpen voor het snel schuren van hout, metaal en kunststoffen in een consumentenomgeving. Dit gereedschap is uitsluitend bestemd voor consumentengebruik.

## Veiligheidsinstructies

### Algemene veiligheidswaarschuwingen voor elektrisch gereedschap



**Waarschuwing! Lees alle veiligheidswaarschuwingen, instructies, illustraties en specificaties die bij dit gereedschap zijn meegeleverd.** Het niet opvolgen van alle onderstaande instructies kan leiden tot een elektrische schok, brand en/of ernstig persoonlijk letsel.

**Bewaar alle waarschuwingen en instructies als referentiemateriaal.** De hierna gebruikte term 'elektrisch gereedschap' in alle waarschuwingen die hieronder worden vermeld, heeft betrekking op elektrisch gereedschap voor gebruik op netspanning (met netsnoer) of met een accu (snoerloos).

### 1. Veilige werkomgeving

- a. **Houd het werkgebied schoon en goed verlicht.** Op rommelige of donkere plekken zullen sneller ongelukken gebeuren.
- b. **Gebruik elektrisch gereedschap niet in een omgeving met explosiegevaar, zoals in de nabijheid van brandbare vloeistoffen, gassen of stof.** Elektrisch gereedschap veroorzaakt vonken die het stof of de dampen kunnen doen ontbranden.
- c. **Houd kinderen en andere personen tijdens het gebruik van elektrisch gereedschap uit de buurt.** Als u wordt afgeleid, kunt u de controle over het gereedschap verliezen.

### 2. Elektrische veiligheid

- a. **De netstekker van het gereedschap moet in het stopcontact passen. Pas de stekker nooit op enige manier aan. Gebruik geen adapterstekkers in combinatie met geaard elektrisch gereedschap.** Niet-aangepaste stekkers en passende contactdozen verminderen het risico van een elektrische schok.
- b. **Vermijd aanraking van het lichaam met geaarde oppervlakken, bijvoorbeeld buizen, verwarmingen, fornuizen en koelkasten.** Er bestaat een verhoogd risico van een elektrische schok als uw lichaam contact heeft met aarde.
- c. **Houd het gereedschap uit de buurt van regen en vocht.** Als er water in elektrisch gereedschap binnendringt, verhoogt dit het risico van een elektrische schok.
- d. **Gebruik het snoer niet voor een verkeerd doel. Gebruik het snoer nooit om het elektrisch gereedschap te dragen of naar u toe te trekken, of de stekker uit het stopcontact te halen. Houd het**

**snoer uit de buurt van warmtebronnen, olie, scherpe randen, of bewegende onderdelen.**

Beschadigde snoeren of snoeren die in de war zijn geraakt, verhogen het risico van een elektrische schok.

- e. **Gebruik, wanneer u buitenshuis met elektrisch gereedschap werkt, alleen verlengsnoeren die zijn goedgekeurd voor gebruik buitenshuis.** Het gebruik van een verlengsnoer dat geschikt is voor buiten vermindert het risico van een elektrische schok.
- f. **Gebruik, als u elektrisch gereedschap moet gebruiken op een vochtige locatie, een voeding die is beveiligd met een aardlekschakelaar.** Het gebruik van een aardlekschakelaar vermindert het risico van een elektrische schok.

### 3. Persoonlijke veiligheid

- a. **Blijf alert, let goed op wat u doet en ga met verstand te werk bij het gebruik van elektrisch gereedschap. Gebruik elektrisch gereedschap niet als u vermoeid bent of onder de invloed van drugs, alcohol of medicatie bent.** Een moment van onoplettendheid tijdens het werken met elektrisch gereedschap kan leiden tot ernstig persoonlijk letsel.
- b. **Draag persoonlijke beschermende kleding. Draag altijd oogbescherming.** Beschermende uitrusting, zoals een stofmasker, anti-slip veiligheidsschoenen, een helm, of gehoorbescherming, gebruikt in de juiste omstandigheden, zal het risico op persoonlijk letsel verminderen.
- c. **Voorkom dat het gereedschap onbedoeld kan worden ingeschakeld. Controleer dat de schakelaar in de uit-stand staat voordat u het gereedschap aansluit op het stopcontact en/of de accu plaatst en voordat u het gereedschap optilt of gaat dragen.** Het dragen van elektrisch gereedschap met uw vinger op de schakelaar of het aanzetten van elektrisch gereedschap waarvan de schakelaar aan staat, kan leiden tot ongelukken.
- d. **Verwijder alle stelsleutels of steeksleutels voor u het elektrische gereedschap aan zet.** Een steeksleutel of een inbussleutel in een draaiend deel van het elektrisch gereedschap kan tot persoonlijk letsel leiden.
- e. **Reik niet buiten uw macht. Blijf altijd stevig en in balans op de grond staan.** Dit geeft u betere controle over het elektrisch gereedschap in onverwachte situaties.
- f. **Draag de juiste kleding. Draag geen loszittende kleding of sieraden. Houd uw haar en kleding weg bij bewegende onderdelen.** Loszittende kleding, sieraden of lang haar kunnen door bewegende delen worden gegrepen.
- g. **Controleer dat, wanneer hulpstukken voor stofafzuiging en stofopvang kunnen worden gemonteerd, deze goed zijn aangesloten en op**

- juiste wijze worden gebruikt. Het gebruik van stofafzuiging kan aan stof gerelateerde gevaren verminderen.
- h. Word niet gemakzuchtig doordat u door veelvuldig gebruik vertrouwd bent geraakt met het gereedschap, en verlies niet de veiligheidsbeginselen voor het gereedschap uit het oog.** Een onvoorzichtige handeling kan in een fractie van een seconde ernstig letsel tot gevolg hebben.
- 4. Gebruik en onderhoud van elektrisch gereedschap**
- a. Oefen niet te veel kracht uit op het elektrisch gereedschap. Gebruik het juiste elektrisch gereedschap voor uw toepassing.** Met het juiste elektrisch gereedschap kunt u de werkzaamheden waarvoor het gereedschap is ontworpen, beter en veiliger uitvoeren.
- b. Gebruik geen elektrisch gereedschap waarvan de schakelaar defect is.** Ieder elektrisch gereedschap dat niet met de schakelaar kan worden bediend, is gevaarlijk en moet worden gerepareerd.
- c. Haal de stekker uit het stopcontact en/of neem de accu uit het gereedschap voordat u aanpassingen uitvoert, accessoires verwisselt,** of het elektrische gereedschap opbergt. Dergelijke preventieve veiligheidsmaatregelen verminderen het risico dat het elektrisch gereedschap per ongeluk wordt gestart.
- d. Bewaar niet-gebruikte elektrische gereedschappen buiten bereik van kinderen. Laat het gereedschap niet gebruiken door personen die er niet vertrouwd mee zijn en deze aanwijzingen niet hebben gelezen.** Elektrisch gereedschap is gevaarlijk in handen van ongetrainde gebruikers.
- e. Onderhoud elektrisch gereedschap en accessoires goed. Controleer dat bewegende delen van het elektrisch gereedschap wel goed functioneren en niet klemmen, en dat er niet onderdelen zodanig zijn gebroken of beschadigd dat de werking van het gereedschap nadelig wordt beïnvloed. Laat het gereedschap voor gebruik repareren als het beschadigd is.** Veel ongelukken worden veroorzaakt door slecht onderhouden elektrisch gereedschap.
- f. Houd gereedschap voor maaien en zagen scherp en schoon.** Goed onderhouden zaag gereedschap met scherpe snijvlakken loopt minder snel vast en is gemakkelijker onder controle te houden.
- g. Gebruik elektrisch gereedschap, accessoires, hulpstukken en dergelijke volgens deze aanwijzingen. Let daarbij op de arbeidsomstandigheden en de uit te voeren werkzaamheden.** Gebruik van het elektrisch gereedschap voor werkzaamheden die anders zijn dan bedoeld, kan leiden tot een gevaarlijke situatie.
- h. Houd de handgrepen droog, schoon en vrij van olie en vet.** Gladde handgrepen en greepoppervlakken maken het moeilijk het gereedschap veilig te hanteren en onder controle te houden in onverwachte situaties.
- 5. Gebruik en verzorging van accugereedschap (alleen voor accugereedschap)**
- a. Laad de accu alleen op met de oplader die wordt opgegeven door de fabrikant.** Een lader die geschikt is voor het ene type accu, kan een risico van brand doen ontstaan bij gebruik met een andere accu.
- b. Gebruik elektrisch gereedschap alleen in combinatie met specifiek vermelde accu's.** Het gebruik van andere accu's kan gevaar voor letsel en brand geven.
- c. Houd de accu, wanneer u deze niet gebruikt, weg bij andere metalen objecten zoals paperclips, munten, sleutels, spijkers, schroeven of andere kleine metalen voorwerpen die een verbinding tot stand kunnen brengen tussen de ene pool en de andere.** Als kortsluiting tussen de polen van de accu wordt gemaakt, kan dit tot brandwonden of brand leiden.
- d. Wanneer de accu slecht wordt behandeld, kan er vloeistof uit de accu spuiten, vermijd contact met deze vloeistof. Als er per ongeluk contact ontstaat, spoel dan met water. Als de vloeistof in de ogen komt, roep dan tevens medische hulp in.** Vloeistof uit de accu kan irritatie en brandwonden veroorzaken.
- e. Gebruik niet een accu of gereedschap die/dat beschadigd is of waaraan wijzigingen zijn aangebracht.** Beschadigde of gemodificeerde accu's kunnen zich onvoorspelbaar gedragen wat brand, explosie of een risico van letsel met zich mee kan brengen.
- f. Stel een accu of gereedschap niet bloot aan vuur of uitzonderlijk hoge temperaturen.** Blootstelling aan vuur of een temperatuur boven 130° C kan explosie tot gevolg hebben. **OPMERKING:** Voor de temperatuur „130 °C“ kunt u lezen „265 °F“.
- g. Volg alle instructies voor het opladen en laad de accu of het gereedschap niet bij een temperatuur buiten het temperatuurbereik dat wordt opgegeven in de instructies.** Onjuist opladen of opladen bij temperaturen buiten het opgegeven bereik kan de accu beschadigen en het risico van brand vergroten.
- 6. Service**
- a. Laat het gereedschap alleen repareren door gekwalificeerd en vakkundig personeel en alleen met originele vervangingsonderdelen.** De veiligheid van het gereedschap blijft dan behouden.

- b. **Voer nooit servicewerkzaamheden uit aan accu's.** Alleen de fabrikant of een geautoriseerd servicecentrum mag servicewerkzaamheden aan accu's uitvoeren (geldt alleen voor accugereedschap).



**WAARSCHUWING:** Wij adviseren het gebruik van een reststroomschakelaar met een lekstroomclassificatie van 30mA of minder.

## Aanvullende Specifieke Veiligheidsregels

### voor schuurmachines

- **Houd het gereedschap vast bij de geïsoleerde greepoppervlakken, omdat de schuurband/schuurzool met het eigen snoer in aanraking kan komen.** Als een draad onder spanning wordt geraakt, komen onbedekte metalen onderdelen van het gereedschap onder spanning te staan en kunt u een elektrische schok krijgen.
- **Zet het werkstuk met klemmen of op een andere praktische manier vast en ondersteun het op een stabiele ondergrond.** Wanneer u het werkstuk vasthoudt met de hand of het tegen uw lichaam gedrukt houdt, is het instabiel en kunt u de controle verliezen.
- Het bedoeld gebruik wordt beschreven in deze gebruiksaanwijzing. Het gebruik van andere accessoires of hulpstukken dan wel de uitvoering van andere handelingen met dit gereedschap dan in deze gebruikershandleiding worden aanbevolen, kan tot persoonlijk letsel en/of materiële schade leiden.



**WAARSCHUWING:** Contact met of inademing van het stof dat bij het schuren vrijkomt, kan de gezondheid van de gebruiker en omstanders schaden. Draag een stofmasker dat speciaal is ontworpen voor bescherming tegen giftige stofdeeltjes en damp en let erop dat personen op de werkplek of personen die de werkplek betreden, ook beschermd zijn.



**WAARSCHUWING:** Gebruik dit gereedschap in een goed geventileerde ruimte als u ferrometalen schuurt. Gebruik het gereedschap niet in de buurt van ontvlambare vloeistoffen, gassen of stof. Vonken of hete deeltjes van het schuren of vonken van de motor kunnen tot gevolg hebben dat brandbare materialen tot ontbranding komen.



**WAARSCHUWING:** Gebruik de stofcassette of de adapter voor de stofafzuiging niet voor het opbergen van voorwerpen.

### Verf schuren



**WAARSCHUWING:** Houd u aan de geldende voorschriften voor het schuren van verf. Let vooral op het volgende: Gebruik wanneer mogelijk een stofzuiger voor het verzamelen van stof. Neem speciale maatregelen bij het schuren van verf die mogelijk een loodbasis heeft: Kinderen en zwangere vrouwen mogen de werkvloer niet betreden. Alle personen die de werkvloer betreden moeten een masker dragen dat speciaal is ontworpen ter bescherming tegen stoffen en dampen van verf op loodbasis. Eten, drinken en roken op de werkvloer is niet toegestaan. Verwijder stof en ander afval op veilige en verantwoorde wijze.

## Aanvullende veiligheidsinstructies voor schuurmachines

- **Draag gehoorbescherming.** Blootstelling aan lawaai kan gehoorverlies veroorzaken.

### Overige risico's

Er kunnen zich bij het gebruik van dit gereedschap nog meer risico's voordoen, die mogelijk niet in de bijgesloten veiligheidswaarschuwingen worden beschreven. Deze risico's kunnen zich voordoen door onoordeelkundig gebruik, langdurig gebruik, enz.

Zelfs wanneer de veiligheidsvoorschriften in acht worden genomen en de veiligheidsvoorzieningen worden gebruikt, kunnen bepaalde risico's niet worden uitgesloten. Dit zijn onder meer:

- Verwondingen die worden veroorzaakt door het aanraken van draaiende of bewegende onderdelen.
- Verwondingen die worden veroorzaakt bij het vervangen van onderdelen, bladen of accessoires.
- Letsel dat wordt veroorzaakt door langdurig gebruik van gereedschap. Wanneer u langere periodes met gereedschap werkt, kunt u het beste regelmatig een pauze nemen.
- Gehoorbeschadiging.
- Gezondheidsrisico's als gevolg van het inademen van stof dat vrijkomt tijdens het gebruik van het gereedschap (bijvoorbeeld tijdens het werken met hout, met name eiken, beuken en MDF).

### Veiligheid van anderen

- Dit gereedschap mag niet worden gebruikt door personen (waaronder kinderen) die lichamelijk of geestelijk mindervalide zijn of die geen ervaring met of kennis van dit gereedschap hebben, tenzij ze onder toezicht staan of instructies krijgen over het gebruik van het gereedschap van een persoon die verantwoordelijk is voor hun veiligheid.
- Er moet op worden toegezien dat kinderen niet met het apparaat spelen.
- Het bedoeld gebruik wordt beschreven in deze gebruiksaanwijzing. Het gebruik van andere accessoires of hulpstukken dan wel de uitvoering van andere handelingen met dit gereedschap dan in deze gebruikershandleiding worden aanbevolen, kan tot persoonlijk letsel en/of materiële schade leiden.

### Trillingen

De aangegeven waarden voor trillingsemisatie in de technische gegevens en de conformiteitsverklaring, zijn gemeten conform een standaardtestmethode die door EN62841 wordt verstrekt. Hiermee kan het ene gereedschap met het andere worden vergeleken. De aangegeven waarde voor trillingsemisatie kan ook worden gebruikt bij een voorlopige bepaling van blootstelling.





**Waarschuwing!** De waarde voor trillingsemissie tijdens het werkelijke gebruik van het elektrisch gereedschap kan verschillen van de aangegeven waarde afhankelijk van de manieren waarop het gereedschap wordt gebruikt. Het trillingsniveau kan toenemen tot boven het aangegeven niveau.

Bij beoordeling van de blootstelling aan trillingen met het doel vast te stellen welke veiligheidsmaatregelen 2002/44/EG vereist ter bescherming van personen die tijdens hun werk regelmatig elektrisch gereedschap gebruiken, moet bij een inschatting van de blootstelling aan trillingen rekening worden gehouden met de werkelijke gebruiksomstandigheden en de manier waarop het gereedschap wordt gebruikt. Daarbij moet ook rekening worden gehouden met alle onderdelen van de bedrijfscyclus, zoals wanneer het gereedschap wordt uitgeschakeld en wanneer het gereedschap stationair loopt en ook de aanlooptijd.

### Etiketten op het gereedschap

Behalve van de datumcode is het gereedschap voorzien van de volgende symbolen:



**Waarschuwing!** De gebruiker moet de instructiehandleiding lezen zodat het risico van letsel wordt beperkt.

### Aanvullende veiligheidsinstructies voor accu's en laders

#### Accu's

- Probeer nooit om welke reden dan ook batterijen open te maken.
- Stel de accu niet bloot aan water.
- Bewaar de batterijen niet op locaties met temperaturen van meer dan 40 °C.
- Laad de accu alleen op bij een omgevingstemperatuur van 10 °C tot 40 °C.
- Gebruik alleen de lader die bij het gereedschap is geleverd.
- Gooi lege batterijen weg volgens de instructies in het gedeelte "Het milieu beschermen".



Probeer niet beschadigde accu's op te laden.

#### Laders

- Gebruik de lader alleen voor de accu's in het apparaat waarbij de lader is geleverd. Andere batterijen kunnen openbarsten, met persoonlijk letsel en materiële schade tot gevolg.
- Niet-oplaadbare accu's mogen nooit worden opgeladen.
- Een defect snoer moet direct worden vervangen.
- Stel de lader niet bloot aan water.
- Open de lader niet.
- Prik nooit met een scherp voorwerp in de lader.



De lader is uitsluitend bestemd voor gebruik binnenshuis.

### Elektrische veiligheid



Deze lader is dubbel geïsoleerd, zodat een aardeaansluiting niet noodzakelijk is. Controleer altijd dat de stroomvoorziening overeenkomt met de spanning op het typeplaatje.

- Als het netsnoer is beschadigd, moet dit worden vervangen door de fabrikant of een geautoriseerd BLACK+DECKER-servicecentrum, zodat gevaarlijke situaties worden voorkomen.

### Functies

Dit gereedschap is voorzien van enkele of alle van de volgende functies.

1. Handgreep
2. Aan/Uit-knop
3. Schuurblad
4. Batterij
5. Stofcontainer
6. Lader

### Laadprocedure (Afb. A)

BLACK+DECKER-laders zijn ontworpen voor het laden van BLACK+DECKER-accu's.

- Steek de lader (6) in een geschikt stopcontact voor u de accu (4) plaatst.
- Plaats de accu (4) in de lader (6), zoals wordt getoond in afbeelding A.
- Het groene oplaadlampje (6a) gaat knipperen ten teken dat de accu wordt opgeladen.
- Wanneer de accu geheel is opgeladen, blijft het groene lampje (6a) ononderbroken branden. De accu is volledig opgeladen en kan nu worden gebruikt of kan in de lader blijven zitten.

**Opmerking:** Laad accu's die leeg zijn zo spoedig mogelijk na gebruik op, omdat anders de levensduur van de accu mogelijk ernstig wordt bekort. Accu's hebben de langste levensduur wanneer u ze niet volledig ontladent. Aangeraden wordt de accu's na elk gebruik op te laden.

### De accu in de lader laten

U kunt de accu (4) voor onbepaalde tijd in de lader (6) laten zitten terwijl het LED-lampje brandt. De lader houdt de accu volledig opgeladen.

### Belangrijke opmerkingen over laden

- De langste levensduur en de beste prestaties kunnen worden behaald wanneer de accu wordt opgeladen wanneer de luchttemperatuur is tussen 18° en 24 °C. LAAD de accu NIET op bij een luchttemperatuur lager dan +4,5 °C of hoger dan +40,5 °C. Dit is belangrijk en zal ernstige beschadiging van de accu voorkomen.
- De lader en de accu's zullen tijdens het laden bij aanraking misschien warm aanvoelen. Dit is normaal en wijst niet op een probleem. Plaats de accu en de lader na gebruik niet in een warme omgeving, zoals een metalen schuur of een niet-geïsoleerde aanhangwagen, laat ze op een koele plaats afkoelen.

- Als de accu niet goed wordt opgeladen:
  - ◆ Controleer de spanning door een lamp of ander apparaat op het stopcontact aan te sluiten.
  - ◆ Controleer of het stopcontact wordt onderbroken door een schakelaar, die het licht uitschakelt en het stopcontact stroomloos maakt.
  - ◆ Breng de lader en de accu naar een plaats waar de lucht/omgevingstemperatuur ongeveer 18° - 24 °C is.
  - ◆ Breng, als de problemen met het opladen aanhouden, het gereedschap, de accu en de lader naar het servicecentrum bij u in de buurt.
- De accu moet worden opgeladen wanneer de accu niet voldoende vermogen levert voor werkzaamheden die eerder zonder veel moeite werden uitgevoerd. WERK NIET LANGER MET HET GEREEDSCHAP in deze toestand. Volg de procedure voor het laden. U kunt ook een gedeeltelijk lege accu opladen, wanneer u dat maar wilt, zonder dat dat negatieve gevolgen heeft voor de accu.
- Bepaalde materialen die geleidend zijn, zoals, maar niet uitsluitend, staalwol, aluminiumfolie of een opeenhoping van metaalachtige deeltjes, kunnen beter bij de uitsparingen van de lader worden weggehouden. Trek altijd de stekker uit het stopcontact wanneer er geen accu in de uitsparing van de lader zit. Trek de stekker van de lader uit het stopcontact voor u de lader gaat reinigen.
- Laat de lader niet bevriezen en dompel de lader niet onder in water of andere vloeistoffen.



**Waarschuwing!** Laat geen vloeistof in de lader dringen. Probeer nooit om welke reden dan ook de accu te openen. Als de kunststof behuizing van de accu breekt of scheurt, breng de accu dan naar een servicecentrum waar deze kan worden gerecycled.

### Diagnosefuncties van de lader (Afb. B)

Zie de indicatoren in afbeelding B voor de laadstatus van de accu.

### Slechte accu

Ziet u het lampje in een patroon van een slechte accu knipperen, ga dan niet door met het opladen van deze accu. Breng de accu terug naar het servicecentrum of naar een inzamelpunt waar de accu kan worden gerecycled.

### Hot/Cold Pack Delay (Vertraging Hete/Koude Accu)

Wanneer de lader waarneemt dat een accu te warm of te koud is, wordt onmiddellijk een Hot/Cold Delay gestart en wordt het laden uitgesteld tot de accu een geschikte temperatuur heeft bereikt. De lader schakelt dan zelf over op de accu-laadstand. Deze functie waarborgt een maximale levensduur van de accu. Een koude accu zal minder snel opladen dan een warme accu. De accu zal minder snel opladen gedurende de gehele laadcyclus en zal niet maximaal opladen, ook niet als de accu warmer wordt.

### De accu in het apparaat plaatsen en eruit nemen

#### De accu plaatsen (Afb. C)

- Steek de accu (4) in het gereedschap en duw tot u een klik hoort (Afbeelding C).

- Controleer dat de accu geheel op z'n plaats zit en goed is vergrendeld.

#### De accu uitnemen (Afb. D)

- Druk op de accuvrijgaveknop (7) zoals wordt getoond in Afbeelding D en trek de accu (4) uit het gereedschap.

#### Schuurschijven met klittenband bevestigen (afb.E)

U bereikt de beste resultaten met BLACK+DECKER-accessoires.

- De schuurmachine is ontworpen voor gebruik met carbid-schuurpapier of standaard schuurpapier met een stofafzuigpatroon met 8 gaten.
- Bevestig de schuurschijf (8) door deze voorzichtig midden op het schuurkussen (3) te plaatsen, en let er daarbij op dat de gaten in de schijf over de gaten in het schuurkussen liggen, druk de schijf stevig op z'n plaats.
- Door de klittenbandbevestiging kan de schuurschijf gemakkelijk weer worden losgetrokken. U kunt de schijf opnieuw gebruiken, als u dat wilt.

#### Gebruik van het apparaat



**Waarschuwing!** Laat het gereedschap op z'n eigen snelheid werken. Overbelast het gereedschap niet.

#### In- en uitschakelen

- Schakel het gereedschap in door aan/uit-schakelaar (2) in de stand "I" te drukken.
- Schakel het gereedschap uit door aan/uit-schakelaar (2) naar achteren naar stand O te drukken.

#### Bediening

Pak de schuurmachine vast zoals wordt getoond in afbeelding G en schakel de machine in (ON). Verplaats het gereedschap in lange, vegende slagen over het oppervlak, en laat het zo z'n werk doen. Door op het gereedschap te duwen maakt u eigenlijk dat het langzamer werkt en dat een afwerking van mindere kwaliteit ontstaat. Kijk regelmatig hoe uw werkzaamheden vorderen. De schuurmachine kan materiaal snel verwijderen, vooral met grof schuurpapier.

#### Stofverzameling (Afb. H, I)



**Waarschuwing!** Stof dat wordt opgevangen bij het schuren van oppervlakte-coatings (polyurethaan, lijnzaadolie, enz.) kan uit zichzelf ontbranden in de stofzak van de schuurmachine of op een andere plek, en daardoor kan brand ontstaan. Beperk het risico en maak de zak vaak leeg en volg de handleiding van de schuurmachine en instructies van de fabrikant van de coating.

- U kunt de opvangbus op de schuurmachine bevestigen door de groeven in de bus (9) tegenover de nokken (10) op de stofpoort te houden.
- Schuif de bus op de stofpoort en draai de bus naar rechts vast op z'n plaats, zoals wordt getoond in Afbeelding H.
- U kunt de bus losnemen door deze naar links los te draaien en van de machine te schuiven.

- Maak de bus leeg door deze van de stofpoort los te maken en het schuurstof in een geschikte afvalbak te gooien Afbeelding I.

## Onderhoud

Uw BLACK+DECKER-gereedschap is ontworpen om gedurende langere periode te functioneren met een minimum aan onderhoud. Het continu naar tevredenheid functioneren hangt af van de juiste zorg voor het gereedschap en regelmatige reiniging.

Behalve regelmatige reiniging vraagt de lader geen onderhoud.



**Waarschuwing!** Neem, voor u onderhoud aan het gereedschap uitvoert, de accu uit het gereedschap. Neem de stekker van de lader uit het stopcontact voor u de lader schoonmaakt.

- Reinig regelmatig de ventilatieopeningen van het gereedschap en de lader met een zachte borstel of droge doek.
- Reinig de behuizing van de motor regelmatig met een vochtige doek. Gebruik niet een schurend schoonmaakmiddel of een schoonmaakmiddel op basis van een oplosmiddel.

## Het milieu beschermen



Gescheiden afvalinzameling. Producten en accu's die zijn voorzien van dit symbool mogen niet bij het normale huishoudafval worden weggegooid.

Producten en accu's bevatten materialen die kunnen worden teruggewonnen of gerecycled, wat de vraag naar grondstoffen doet afnemen. Recycle elektrische producten en accu's volgens de ter plaatse geldende bepalingen. Nadere informatie is beschikbaar op [www.2helpU.com](http://www.2helpU.com)

## Technische gegevens

| BDCROS18 H1           |            |        |
|-----------------------|------------|--------|
| Ingangsspanning       | $V_{DC}$   | 18     |
| Trillingen (onbelast) | $min^{-1}$ | 12000  |
| Omlopen (onbelast)    | $min^{-1}$ | 12000  |
| Oppervlak schuurzool  | $mm^2$     | 12660  |
| Gewicht               | kg         | 0,9    |
| Batterij BL1518       |            |        |
| Spanning              | $V_{DC}$   | 18     |
| Capaciteit            | Ah         | 1,5    |
| Type                  |            | H4     |
| Lader SSC-250040X     |            |        |
| Ingangsspanning       | $V_{AC}$   | 230    |
| Uitgangsspanning      | $V_{DC}$   | 8 - 20 |
| Laadstroom            | mA         | 400    |

|   |
|---|
| $L_{pA}$ (geluidsdruk) 71,5 dB(A), Onzekerheid (K) 3 dB(A)                  |
| $L_{WA}$ (geluidsvermogen) 82,5 dB(A), Onzekerheid (K) 3 dB(A)              |
| Totale trillingswaarden (som triaxvector) volgens EN62841:                  |
| Waarde trillingsemissie ( $a_w$ ) 3,4 $m/s^2$ , onzekerheid (K) 1,5 $m/s^2$ |

## EG Conformiteitsverklaring RICHTLIJN VOOR MACHINES



BDCROS18 Schuurmachine

Black & Decker verklaart dat de producten die worden beschreven onder "technische gegevens", voldoen aan: EN62841-1:2015, EN62841-2-4:2014.

Deze producten voldoen ook aan Richtlijn 2006/42/EC, 2014/30/EU en 2011/65/EU. Neem voor meer informatie contact op met Black & Decker op het volgende adres of raadpleeg de achterzijde van de handleiding.

Ondergetekende is verantwoordelijk voor de samenstelling van het technische bestand en legt deze verklaring af namens Black & Decker.

A. P. Smith  
Technical Director of Engineering  
Black & Decker Europe, 270 Bath Road, Slough,  
Berkshire, SL1 4DX, Verenigd Koninkrijk  
30-4-2019

## Garantie

Black & Decker heeft vertrouwen in zijn producten en biedt consumenten een garantie van 24 maanden vanaf de aankoopdatum. Deze garantie vormt een aanvulling op uw wettelijke rechten en beperken deze niet. De garantie is geldig op het grondgebied van de Lidstaten van de Europese Unie en de Europese Vrijhandelszone.

Voor een garantie-aanspraak moet uw aanspraak in overeenstemming zijn met de Voorwaarden en Condities van Black & Decker en moet u een bewijs van aankoop overleggen aan de verkoper of aan een geautoriseerde reparatiemonteur.

Voorwaarden en condities van de 2-jarige garantie van Black & Decker kunt u vinden op internet op [www.2helpU.com](http://www.2helpU.com), of door contact op te nemen met het Black & Decker-kantoor ter plaatse op het adres dat in deze handleiding wordt vermeld.

Ga naar onze website [www.blackanddecker.co.uk](http://www.blackanddecker.co.uk) en registreer uw nieuwe Black & Decker- product en ontvang updates over nieuwe producten en speciale aanbiedingen.

## Uso previsto

La lijadora BLACK+DECKER BDCROS18 ha sido diseñada para el lijado rápido de madera, metales y plásticos en un entorno de consumo. Esta herramienta es únicamente para uso doméstico.

## Instrucciones de seguridad

### Advertencias de seguridad para herramientas eléctricas en general



**¡Advertencia! Lea todas las advertencias de seguridad, instrucciones, ilustraciones y especificaciones suministradas con esta herramienta eléctrica.** El incumplimiento de las instrucciones que se indican a continuación puede causar descargas eléctricas, incendios y/o lesiones graves.

**Guarde todas las advertencias e instrucciones para futuras consultas.** El término "herramienta eléctrica" empleado en las advertencias indicadas a continuación se refiere a la herramienta eléctrica con alimentación de red (con cable) o alimentada por batería (sin cable).

#### 1. Seguridad del área de trabajo

- a. Mantenga su área de trabajo limpia y bien iluminada.** Las áreas en desorden u oscuras pueden provocar accidentes.
- b. No utilice la herramienta eléctrica en un entorno con peligro de explosión, en el que se encuentren líquidos, gases o material en polvo inflamables.** Las herramientas eléctricas originan chispas que pueden inflamar el polvo o los gases.
- c. Cuando utilice la herramienta eléctrica, mantenga alejados a los niños y a otras personas del área de trabajo.** Las distracciones pueden causar la pérdida del control de la herramienta.

#### 2. Seguridad eléctrica

- a. El enchufe de la herramienta eléctrica debe corresponder a la toma de corriente utilizada. No modifique nunca el enchufe de ninguna forma. No utilice ningún enchufe adaptador con las herramientas eléctricas conectadas a tierra (puestas a masa).** Los enchufes no modificados y las tomas de corriente compatibles reducen el riesgo de descarga eléctrica.
- b. Evite el contacto corporal con superficies conectadas a tierra o puestas a masa tales como tuberías, radiadores, cocinas y neveras.** Existe un mayor riesgo de descarga eléctrica si su cuerpo está conectado a tierra o puesto a masa.
- c. No exponga la herramienta eléctrica a la lluvia o a condiciones de humedad.** Si entra agua en una herramienta eléctrica, aumenta el riesgo de descarga eléctrica.
- d. Cuide el cable de alimentación. No use nunca el cable para transportar, tirar de la herramienta eléctrica o desenchufarla. Mantenga el cable**

**alejado del calor, aceite, bordes afilados y piezas en movimiento.** Los cables dañados o enredados aumentan el riesgo de descarga eléctrica.

- e. Si trabaja con la herramienta eléctrica en el exterior, utilice solamente cables de prolongación homologados para uso en exteriores.** La utilización de un cable adecuado para uso en exteriores reduce el riesgo de descarga eléctrica.
  - f. Si la utilización de una herramienta eléctrica en un lugar húmedo es inevitable, utilice una fuente protegida con un dispositivo diferencia residual (DDR).** El uso de un DDR reduce el riesgo de descarga eléctrica.
- ### 3. Seguridad personal
- a. Esté atento a lo que hace y utilice la herramienta eléctrica con prudencia. No maneje una herramienta eléctrica cuando esté cansado o bajo los efectos de drogas, medicamentos o alcohol.** Un momento de desatención cuando se manejan herramientas eléctricas puede ocasionar lesiones personales graves.
  - b. Utilice equipo de seguridad personal. Utilice siempre protección ocular.** El uso de equipo de protección como mascarillas antipolvo, calzado antideslizante, casco o protección auditiva en las condiciones apropiadas reduce la posibilidad de lesiones personales.
  - c. Impida que la herramienta se ponga en marcha accidentalmente. Asegúrese de que el interruptor se encuentre en la posición de apagado antes de conectar la herramienta a la fuente de alimentación o a la batería, o de coger o transportar la herramienta.** Transportar herramientas eléctricas con el dedo puesto en el interruptor o herramientas eléctricas activadoras que tengan el interruptor encendido puede provocar accidentes.
  - d. Saque las llaves de ajuste o llaves inglesas antes de encender la herramienta eléctrica.** Dejar una llave inglesa u otra llave puesta en una pieza giratoria de la herramienta eléctrica puede ocasionar lesiones personales.
  - e. No se estire demasiado. Mantenga un equilibrio adecuado y la estabilidad constantemente.** Esto permite un mejor control de la herramienta eléctrica en situaciones inesperadas.
  - f. Use la vestimenta adecuada. No se ponga ropa suelta o joyas. Mantenga el cabello y la ropa alejados de las piezas móviles.** La ropa suelta, las joyas y el pelo largo pueden quedar atrapados en las piezas móviles.
  - g. Siempre que sea posible utilizar equipos de aspiración o captación de polvo, asegúrese de que estos estén conectados y que se utilicen**

- correctamente. El uso de equipo de recogida de polvo puede reducir los riesgos relacionados con el polvo.
- h. **Evite que la familiaridad adquirida con el uso frecuente de las herramientas le haga confiarse demasiado e ignorar las principales normas de seguridad de las herramientas.** Una utilización descuidada puede provocar lesiones graves en cuestión de segundos.
4. **Uso y cuidado de herramientas eléctricas**
- a. **No sobrecargue la herramienta eléctrica. Use la herramienta eléctrica correcta para su trabajo.** La herramienta eléctrica correcta funcionará mejor y con mayor seguridad si se utiliza de acuerdo con sus características técnicas.
- b. **No utilice la herramienta eléctrica si tiene el interruptor defectuoso.** Toda herramienta eléctrica que no pueda controlarse con el interruptor es peligrosa y debe ser reparada.
- c. **Desconecte el enchufe de la fuente de alimentación y/o saque la batería de la herramienta antes de realizar cualquier ajuste, cambiar accesorios o guardar las herramientas mecánicas.** Tales medidas de seguridad preventivas reducen el riesgo de poner en marcha la herramienta eléctrica accidentalmente.
- d. **Guarde la herramienta eléctrica fuera del alcance de los niños y de las personas que no estén familiarizadas con su uso ni con estas instrucciones.** Las herramientas eléctricas son peligrosas en manos de personas no capacitadas.
- e. **Realice el mantenimiento de las herramientas eléctricas y sus accesorios. Compruebe que las piezas móviles no estén desalineadas ni atascadas, que no haya piezas rotas y cualquier otra condición que pudiera afectar al funcionamiento de la herramienta eléctrica. Si la herramienta eléctrica está dañada, llévela para que sea reparada antes de utilizarla.** Muchos accidentes se producen por el mantenimiento inadecuado de las herramientas eléctricas.
- f. **Mantenga las herramientas de corte limpias y afiladas.** Las herramientas de corte con bordes afilados y correctamente mantenidas tienen menos probabilidad de bloquearse y son más fáciles de controlar.
- g. **Utilice la herramienta eléctrica, los accesorios, los utensilios de la herramienta, etc. de acuerdo con estas instrucciones, y tenga en cuenta las condiciones de trabajo y la tarea a realizar.** El uso de la herramienta eléctrica para operaciones que no sean las previstas puede ocasionar una situación peligrosa.
- h. **Mantenga las empuñaduras y las superficies de agarre secas, limpias y libres de aceite y grasa.** Las empuñaduras resbaladizas y las superficies engrasadas impiden aferrar y controlar la herramienta en situaciones imprevistas.
5. **Uso y cuidado de la batería (solo para herramientas con batería)**
- a. **Recargue exclusivamente con el cargador indicado por el fabricante.** Un cargador adecuado para un tipo de batería puede provocar riesgos de incendios al ser utilizado con otra batería.
- b. **Utilice herramientas eléctricas solamente cuando se especifique en la batería.** El uso de otras baterías puede suponer un riesgo de lesiones e incendio.
- c. **Cuando no use la batería, manténgala alejada de otros objetos metálicos como los clips de papel, las llaves, los clavos, las tuercas u otros objetos metálicos pequeños que puedan conectar ente sí ambos terminales.** Si se produce un cortocircuito entre los terminales de la batería, pueden ocasionarse incendios o quemaduras.
- d. **En condiciones abusivas, podrá salir líquido de la batería, evite el contacto. Si se produce un contacto accidental, lave con agua. Si el líquido se pone en contacto con los ojos, acuda además a un médico.** El líquido expulsado de la batería podrá provocar irritaciones o quemaduras.
- e. **No use la batería ni la herramienta si están dañadas o han sido modificadas.** Las baterías dañadas o modificadas pueden tener reacciones imprevistas y causar incendios, explosión o riesgo de lesiones.
- f. **No exponga la batería o la herramienta al fuego o a temperaturas excesivas.** La exposición al fuego o a una temperatura superior a 130 °C puede causar una explosión. NOTA: La temperatura "130 °C" puede sustituirse por la temperatura "265 °F".
- g. **Siga las instrucciones de carga y no cargue la batería o la herramienta fuera del intervalo de temperatura especificado en las instrucciones.** La carga incorrecta o fuera del rango de temperatura especificado puede dañar la batería y aumentar el riesgo de incendio.
6. **Reparaciones**
- a. **Haga reparar su herramienta eléctrica solo por personal técnico autorizado que emplee exclusivamente piezas de repuesto originales.** Así se asegurará que se mantenga la seguridad de la herramienta eléctrica.
- b. **Nunca repare la batería si está dañada.** La reparación de la batería puede ser efectuada únicamente por el fabricante o por los proveedores de servicio autorizados (se utiliza solo para herramientas de batería).

## Normas de seguridad específicas y adicionales para lijadoras

- **Sujete la herramienta eléctrica por la superficie protegida, ya que la banda lijadora/base lijadora podría entrar en contacto con su propio cable.** Cortar un cable con tensión puede transmitir dicha tensión a las partes metálicas expuestas de la herramienta eléctrica y producir una descarga eléctrica al operador.
- **Utilice fijaciones o cualquier otro método para fijar y apoyar la pieza de trabajo en una plataforma estable.** Si sostiene la pieza de trabajo con las manos o contra el cuerpo, la pieza quedará inestable y puede hacer que usted pierda el control.
- En este manual de instrucciones se describe el uso previsto. La utilización de accesorios o dispositivos auxiliares o la realización de operaciones distintas a las recomendadas en este manual de instrucciones para esta herramienta pueden suponer un riesgo de lesiones corporales y/o de daños materiales.



**ADVERTENCIA:** El contacto o la inhalación del polvo procedente de las aplicaciones de la lijadora puede suponer un peligro para la salud del usuario y de cualquier otra persona que se encuentre a su alrededor. Lleve una máscara de protección especialmente diseñada para protegerle ante los polvos y humos tóxicos y compruebe que las personas que se encuentren en la zona de trabajo o accedan a ella también lleven protección.



**ADVERTENCIA:** Utilice esta herramienta en una zona bien ventilada cuando lije metales ferrosos. No trabaje con la herramienta cerca de líquidos, gases o polvos inflamables. Las chispas, las partículas calientes del lijado o el arco eléctrico de las escobillas del motor pueden inflamar los materiales combustibles.



**ADVERTENCIA:** No utilice la caja del filtro de polvo ni el adaptador de extracción de polvo para almacenar objetos.

## Lijado de pintura



**ADVERTENCIA:** Tenga en cuenta las normativas aplicables para el lijado de pinturas. Preste especial atención a las siguientes recomendaciones: Siempre que sea posible, utilice un extractor aspirador para la recogida del polvo. Tenga especial cuidado cuando lije pinturas con un posible contenido de plomo: No permita la entrada de niños ni de mujeres embarazadas al área de trabajo. Todas las personas que accedan al área de trabajo deben llevar una mascarilla diseñada específicamente como protección contra el polvo y los polvos y vapores de las pinturas con contenido de plomo. No ingiera alimentos ni bebidas, ni fume en el área de trabajo. Deshágase de las partículas de polvo y de otros escombros de un modo seguro.



**ADVERTENCIA:** Recomendamos el uso de un dispositivo de corriente residual con una capacidad de corriente residual de 30 mA o inferior.

## Instrucciones de seguridad adicionales para lijadoras

- **Lleve protección acústica.** La exposición a los ruidos puede causar pérdida auditiva.

## Riesgos residuales

El uso de esta herramienta puede producir riesgos residuales adicionales no incluidos en las advertencias de seguridad adjuntas. Estos riesgos se pueden generar por un uso incorrecto, demasiado prolongado, etc.

El cumplimiento de las normas de seguridad correspondientes y el uso de dispositivos de seguridad no evitan ciertos riesgos residuales. Dichos riesgos incluyen:

- Lesiones producidas por el contacto con piezas móviles o giratorias.
- Lesiones producidas al cambiar cualquier pieza, hoja o accesorio.
- Lesiones producidas por el uso de una herramienta durante un tiempo demasiado prolongado. Si utiliza una herramienta durante periodos de tiempo demasiado prolongados, asegúrese de realizar pausas con frecuencia.
- Deterioro auditivo.
- Riesgos para la salud producidos al respirar el polvo que se genera al usar la herramienta (por ejemplo: en los trabajos con madera, especialmente de roble, haya y tableros de densidad mediana).

## Seguridad de otras personas

- Esta herramienta eléctrica no ha sido concebida para ser usada por personas (incluidos niños) con capacidades físicas, sensoriales o mentales disminuidas o que carezcan de experiencia y conocimientos, salvo que hayan recibido supervisión o formación con respecto al uso de la herramienta por parte de una persona responsable de su seguridad.
- Los niños deben vigilarse en todo momento para asegurarse de que no la tomen como elemento de juego.
- En este manual de instrucciones se describe el uso previsto. La utilización de accesorios o dispositivos auxiliares o la realización de operaciones distintas a las recomendadas en este manual de instrucciones para esta herramienta pueden suponer un riesgo de lesiones corporales y/o de daños materiales.

## Vibración

Los valores de emisión de vibraciones declarados en el apartado de características técnicas y en la declaración de conformidad se han calculado según un método de prueba estándar proporcionado por la norma EN62841 y pueden utilizarse para comparar una herramienta con otra. El valor de emisión de vibraciones especificado también puede utilizarse en una evaluación preliminar de la exposición.



**¡Advertencia!** El valor de emisión de vibraciones durante el funcionamiento real de la herramienta eléctrica puede diferir del valor declarado en función de cómo se utilice dicha herramienta. El nivel de las vibraciones puede aumentar por encima del nivel declarado.

Al evaluar la exposición a las vibraciones con el fin de determinar las medidas de seguridad que exige la directiva 2002/44/CE para proteger a las personas que utilizan periódicamente herramientas eléctricas en el entorno laboral, deberá tenerse en cuenta una estimación de la exposición a las vibraciones, las condiciones de uso reales y el modo de empleo de la herramienta, así como los pasos del ciclo operativo como, por ejemplo, el número de veces que la herramienta se apaga, el tiempo que está parada y el tiempo de activación.

### Etiquetas en la herramienta

Junto con el código de la fecha, en la herramienta aparecen los siguientes símbolos:



**¡Advertencia!** Para reducir el riesgo de lesiones, el usuario debe leer el manual de instrucciones.

### Instrucciones de seguridad adicionales para baterías y cargadores.

#### Baterías

- Nunca trate de abrirlas por ningún motivo.
- No exponga las baterías al agua.
- No las almacene en lugares en los que la temperatura pueda superar los 40 °C.
- Realice la carga únicamente a una temperatura ambiente de entre 10 °C y 40 °C.
- Utilice únicamente el cargador suministrado con la herramienta para realizar la carga.
- Cuando vaya a desechar la batería, siga las instrucciones facilitadas en la sección "Protección del medioambiente".



No intente cargar baterías dañadas.

#### Cargadores

- Utilice el cargador cargar únicamente la batería de la herramienta con la que fue suministrado. Otras baterías podrían explotar y provocar lesiones y daños materiales.
- Nunca intente cargar baterías no recargables.
- Haga sustituir los cables defectuosos inmediatamente.
- No exponga el cargador al agua.
- No abra el cargador.
- No aplique ningún dispositivo para medir la resistencia del cargador.



El cargador ha sido concebido para utilizarse únicamente en un lugar interior.

### Seguridad eléctrica



Este cargador está provisto de doble aislamiento, por lo que no requiere puesta a tierra. Compruebe siempre que el voltaje suministrado corresponda al indicado en la placa de características.

- Si se daña el cable de alimentación, deberá ser sustituido por el fabricante o por un centro de asistencia técnica autorizado de BLACK+DECKER para evitar cualquier situación de riesgo.

### Características

Esta herramienta incluye parte o la totalidad de estas características.

1. Empuñadura
2. Botón de encendido/apagado
3. Base de lijado
4. Batería
5. Depósito para el polvo
6. Cargador

### Procedimiento de carga (Fig. A)

Los cargadores BLACK+DECKER han sido diseñados para cargar las baterías BLACK+DECKER.

- Conecte el cargador (6) a la toma adecuada antes de introducir la batería (4).
- Introduzca la batería (4) en el cargador (6), tal como se muestra en la figura A.
- El LED indicador de carga verde (6a) parpadeará, lo cual indica que se está cargando la batería.
- Se indicará que la carga ha terminado porque la luz LED verde (6a) permanecerá encendida de manera continua. La batería está totalmente cargada y ahora podrá usarla o dejarla en el cargador.

**Nota:** Recargue las baterías descargadas tan pronto como sea posible después del uso; de lo contrario, se reducirá su vida útil. Para aprovechar al máximo la vida útil de la batería, no deje que la batería se agote. Es recomendable recargar las baterías después de cada uso.

### Dejar la batería en el cargador

El cargador (6) y la batería (4) pueden permanecer conectados durante un periodo de tiempo indefinido con el indicador LED iluminado. El cargador mantendrá la batería a baja temperatura y completamente cargada

### Notas importantes para la carga

- Se puede conseguir una mayor duración y rendimiento si se carga la batería cuando la temperatura ambiente está entre 65 °F y 75 °F (18 °C y 24 °C). NO cargue la batería cuando la temperatura ambiente sea inferior a +40 °F (+4.5 °C) o superior a +105 °F (+40.5 °C). Esto es importante y evita daños graves a la batería.
- El cargador y la batería pueden calentarse durante la carga. Esto es normal y no indica ningún problema. Para facilitar el enfriamiento de la batería después del uso, evite colocar el cargador o la batería en un ambiente cálido, como un cobertizo metálico o un remolque sin aislamiento.



- Si la batería no se carga correctamente:
  - ◆ Enchufe una lámpara u otro aparato para comprobar la corriente de la toma.
  - ◆ Compruebe si la toma está conectada a un interruptor de luz que corta la energía al apagar las luces.
  - ◆ Desplace el cargador y la batería hacia un lugar donde la temperatura ambiente sea de aproximadamente 65 °F - 75 °F (18 °C - 24 °C).
  - ◆ Si el problema de carga persiste, lleve la herramienta, la batería y el cargador a su centro de servicios local.
- La batería debe recargarse cuando no produce energía suficiente para trabajos que antes se efectuaban fácilmente. NO SIGA usándolo en estas condiciones. Siga el procedimiento de carga. También puede cargar la batería parcialmente usada cuando lo desee, sin ningún efecto adverso para la batería.
- Los materiales conductores extraños como, a título enunciativo pero no limitativo, lana de acero, papel de aluminio o cualquier acumulación de partículas metálicas deben mantenerse alejados de las cavidades del cargador. Desconecte siempre el cargador de la red cuando la batería no esté colocada en su alojamiento. Desconecte el cargador antes de intentar limpiarlo.
- No lo congele ni lo sumerja en agua u otros líquidos.



**¡Advertencia!** No permita que ningún líquido penetre en el cargador. No intente nunca abrir la batería por ningún motivo. Si el alojamiento de plástico de la batería se rompe o se agrieta, llévelo a un servicio técnico para reciclarlo.

### Diagnóstico del cargador (Fig. B)

Consulte los indicadores de la figura B para el estado de carga de la batería.

### Fallo de la batería

Si nota un patrón de parpadeo erróneo de la batería, no siga recargando la batería. Llévela a un centro de servicios o a un punto de recogida para el reciclaje.

### Retardo por batería fría / caliente

Cuando el cargador detecta una batería demasiado fría o caliente, automáticamente inicia un retardo de batería fría / caliente, suspendiendo la carga hasta que la batería haya alcanzado la temperatura adecuada. El cargador cambiará automáticamente al modo de carga de batería. Esta característica asegura la máxima vida útil a la batería. Una batería fría se carga a una velocidad inferior que una batería caliente. La batería se cargará a una velocidad inferior durante el ciclo completo de recarga y no volverá a la máxima velocidad de carga aunque la batería se caliente.

### Instalación y extracción de la batería de la herramienta

#### Colocación de la batería (Fig. C)

- Inserte la batería (4) en la herramienta hasta que oiga un clic (Figura C).
- Compruebe que la batería quede bien colocada y enganchada en su posición.

#### Extracción de la batería (Fig. D)

- Presione el botón de extracción de la batería (7) como se muestra en la figura D y saque la batería (4) de la herramienta.

#### Montar los discos con tejido con ganchos y con fibras enmarañadas en bucle (Fig. E)

Para obtener mejores resultados, use accesorios de BLACK+DECKER.

- La lijadora ha sido diseñada para usar ya sea con papel de lija reticulado de carburo o con papel de lija común con el patrón de extracción de polvo de 8 agujeros.
- Para montar el disco abrasivo (8), céntralo con cuidado sobre la base de lijado (3) comprobando que los agujeros del disco coincidan con los agujeros de la base y apriete bien el disco en su posición.
- El disco con sistema de tejido con ganchos y con fibras enmarañadas en bucle se saca fácilmente tirándolo. Puede volverlo a utilizar según lo desee.

#### Uso



**¡Advertencia!** Deje que la herramienta funcione a su ritmo. No la sobrecargue.

#### Encendido y apagado

- Para encender la herramienta, pulse el interruptor de encendido/apagado (2) hacia la posición "I".
- Para apagar la herramienta, pulse el interruptor de encendido/apagado (2) hacia la posición de retroceso "O".

#### Funcionamiento

Aferre la lijadora como se muestra en la figura G y enciéndala. Desplácela a lo largo, barriendo la superficie y dejando que trabaje sola. Si aprieta hacia abajo la herramienta mientras lija, disminuye la velocidad de extracción y se obtiene un acabado de calidad inferior. Compruebe a menudo su trabajo. La lijadora puede extraer material en forma rápida, especialmente si se usa papel de grano grueso.

#### Recogida de polvo (Figs. H e I)



**¡Advertencia!** El polvo de lijado recogido de los revestimientos de las superficies lijadas (poliuretano, aceite de lino, etc.) pueden encenderse en la bolsa del polvo de lijado o en otro lugar y causar un incendio. Para reducir este riesgo, vacíe frecuentemente la bolsa y siga estrictamente las instrucciones del manual de la lijadora y del fabricante del revestimiento.

- Para colocar el depósito para el polvo en la lijadora, debe alinear las ranuras del depósito (9) con las salientes (10) de la salida de polvo.
- Deslice el depósito para polvo en la salida de polvo y gírelo en sentido horario para bloquearlo en su lugar como se muestra en la Figura H.
- Para sacar el depósito para el polvo, gírelo en sentido antihorario y extráigalo.

- Para vaciar el depósito para el polvo, extráigalo de la salida de polvo y vuelque los restos de polvo en un contenedor de residuos apropiado Figura I.

## Mantenimiento

Su herramienta BLACK+DECKER ha sido diseñada para funcionar durante un largo período de tiempo con un mantenimiento mínimo. El funcionamiento satisfactorio y continuo depende del buen cuidado de la herramienta y de una limpieza frecuente.

El cargador no requiere ningún mantenimiento especial excepto la limpieza periódica.



**¡Advertencia!** Antes de realizar alguna operación de mantenimiento en la herramienta, extraiga la batería. Desenchufe el cargador antes de limpiarlo.

- Limpie periódicamente las ranuras de ventilación de la herramienta y del cargador con un cepillo suave o un paño seco.
- Limpie periódicamente la carcasa del motor con un paño húmedo. No utilice limpiadores abrasivos o a base de disolventes.

## Protección del medioambiente



Recogida selectiva. Los productos y las baterías marcadas con este símbolo no se deben desechar junto con los residuos domésticos normales.

Los productos y las baterías que contienen materiales que se puedan recuperar o reciclar reducen la demanda de materias primas. Recicle los productos eléctricos y las baterías de conformidad con la normativa local. Puede obtener más información en [www.2helpU.com](http://www.2helpU.com)

## Datos técnicos

| BDCROS18 H1                     |                   |        |
|---------------------------------|-------------------|--------|
| Voltaje de entrada              | $V_{CC}$          | 18     |
| Oscilaciones (sin carga)        | $\text{min}^{-1}$ | 12000  |
| Órbitas (sin carga)             | $\text{mm}^{-1}$  | 12000  |
| Superficie de la base de lijado | $\text{mm}^2$     | 12660  |
| Peso                            | kg                | 0.9    |
| Batería BL1518                  |                   |        |
| Tensión                         | $V_{CC}$          | 18     |
| Capacidad                       | Ah                | 1.5    |
| Tipo                            |                   | H4     |
| Cargador SSC-250040X            |                   |        |
| Voltaje de entrada              | $V_{CA}$          | 230    |
| Voltaje de salida               | $V_{CC}$          | 8 - 20 |
| Corriente                       | mA                | 400    |

|   |
|---|
| $L_{PA}$ (presión acústica) 71,5 dB(A), incertidumbre (K) 3 dB(A)                                       |
| $L_{WA}$ (potencia acústica) 82,5 dB(A), incertidumbre (K) 3 dB(A)                                      |
| Valores totales de vibración (suma vectorial triaxial) de acuerdo con la norma EN62841:                 |
| Valor de emisión de vibraciones ( $a_{h,v}$ ) 3.4 $\text{m/s}^2$ , incertidumbre (K) 1.5 $\text{m/s}^2$ |

## Declaración de conformidad CE

DIRECTIVA DE MÁQUINAS



BDCROS18 Lijadora

Black & Decker declara que los productos descritos en "Datos técnicos" cumplen las siguientes normas:  
EN62841-1:2015, EN62841-2-4:2014.

Estos productos también cumplen las directivas 2006/42/CE, 2014/30/UE y 2011/65/UE. Para más información, póngase en contacto con Black & Decker en la siguiente dirección o consulte la parte posterior del manual.

El que suscribe es responsable de la compilación del archivo técnico y realiza esta declaración en nombre de Black & Decker.

A. P. Smith

Director Técnico de Ingeniería  
Black & Decker Europe, 270 Bath Road, Slough,  
Berkshire, SL1 4DX, Reino Unido  
30/04/2019

## Garantía

Black & Decker confía en la calidad de sus productos y ofrece a los consumidores una garantía de 24 meses a partir de la fecha de compra. Esta garantía es adicional a sus derechos legales y no los menoscaba en modo alguno. La garantía es válida dentro de los territorios de los Estados Miembros de la Unión Europea y del Área de Libre Comercio Europea.

Para reclamar la garantía, la reclamación se debe presentar de conformidad con las condiciones de Black & Decker, presentando el comprobante de compra al vendedor o al agente técnico autorizado.

Las condiciones de la garantía de Black & Decker de 2 años de duración y la ubicación de su agente técnico autorizado más cercano se pueden obtener en el sitio web [www.2helpU.com](http://www.2helpU.com), o poniéndose en contacto con su oficina local de Black & Decker en la dirección que se indica en este manual.

Visite nuestro sitio web [www.blackanddecker.co.uk](http://www.blackanddecker.co.uk) para registrar su nuevo producto Black & Decker y recibir actualizaciones sobre nuevos productos y ofertas especiales.

## Utilização pretendida

A lixadeira BLACK+DECKER BDCROS18 foi concebida para lixagem rápida de madeira, metal e plástico num ambiente doméstico. Esta ferramenta destina-se apenas para utilização doméstica.

## Instruções de segurança

### Avisos de segurança gerais para ferramentas eléctricas



**Atenção! Leia todos os avisos de segurança, instruções, ilustrações e especificações fornecidas com esta ferramenta eléctrica. O não cumprimento de todas as instruções indicadas abaixo pode resultar em choque eléctrico, incêndio e/ou ferimentos graves.**

**Guarde todos os avisos e instruções para futura referência.** A expressão "ferramenta eléctrica" indicada em todos os avisos refere-se a ferramentas eléctricas com ligação à corrente eléctrica (com fio) ou com bateria (sem fios).

#### 1. Segurança na área de trabalho

- a. **Mantenha a área de trabalho limpa e bem iluminada.** As áreas desorganizadas ou escuras são propensas a acidentes.
- b. **Não trabalhe com ferramentas eléctricas em áreas com risco de explosão, nas quais se encontrem líquidos, gases ou poeiras inflamáveis.** As ferramentas eléctricas criam faíscas que podem inflamar estas poeiras ou vapores.
- c. **Mantenha as crianças e outras pessoas afastadas durante a utilização da ferramenta eléctrica.** As distrações podem levar à perda do controlo da ferramenta.

#### 2. Segurança eléctrica

- a. **A ficha da ferramenta eléctrica deve caber na tomada. Nunca modifique a ficha de forma alguma. Não utilize fichas adaptadoras com ferramentas eléctricas ligadas à terra.** As fichas não modificadas e as tomadas compatíveis reduzem o risco de choque eléctrico.
- b. **Evite que o corpo entre em contacto com superfícies ligadas à terra, como tubos, radiadores, fogões e frigoríficos.** Se o seu corpo estiver "ligado" à terra, o risco de choque eléctrico é maior.
- c. **As ferramentas eléctricas não podem ser expostas à chuva ou à humidade.** A entrada de água numa ferramenta eléctrica aumenta o risco de choque eléctrico.
- d. **Manuseie o cabo com cuidado. Nunca o utilize para transportar, puxar ou desligar a ferramenta eléctrica. Mantenha o cabo afastado de fontes de calor, substâncias oleosas, arestas afiadas ou peças móveis.** Os cabos danificados ou emaranhados aumentam o risco de choque eléctrico.

- e. **Quando trabalhar com uma ferramenta eléctrica ao ar livre, utilize uma extensão adequada para esta finalidade.** A utilização de um cabo adequado para uso ao ar livre reduz o risco de choque eléctrico.
- f. **Se for inevitável trabalhar com uma ferramenta eléctrica num local húmido, utilize um dispositivo de corrente residual (DCR).** A utilização de um DCR reduz o risco de choque eléctrico.

#### 3. Segurança pessoal

- a. **Esteja sempre atento, preste atenção ao que está a fazer e seja prudente quando trabalhar com uma ferramenta eléctrica. Não utilize uma ferramenta eléctrica quando estiver cansado ou sob o efeito de drogas, álcool ou medicamentos.** Um momento de distração durante a utilização de ferramentas eléctricas pode resultar em ferimentos graves.
- b. **Use equipamento de protecção pessoal. Use sempre protecção ocular.** O equipamento de protecção, como, por exemplo, uma máscara anti-poeira, sapatos de segurança antiderrapantes, um capacete de segurança ou protecção auditiva, usados nas condições adequadas, reduz o risco de ferimentos.
- c. **Evite arranques involuntários. Certifique-se de que o gatilho está desligado antes de ligar a ferramenta à corrente eléctrica e/ou as baterias, e antes de levantar ou transportar a ferramenta.** Se mantiver o dedo sobre o gatilho ao transportar ferramentas eléctricas ou se as ligar à fonte de alimentação com o interruptor ligado, pode dar origem a acidentes.
- d. **Retire qualquer chave de ajuste ou chave de porcas antes de ligar a ferramenta eléctrica.** Uma chave de fendas ou de ajuste fixada numa peça rotativa da ferramenta eléctrica pode causar ferimentos.
- e. **Não se estique demasiado ao trabalhar com a ferramenta. Mantenha sempre os pés bem apoiados e um equilíbrio apropriado.** Desta forma, será mais fácil controlar a ferramenta eléctrica em situações inesperadas.
- f. **Use vestuário adequado. Não use roupa larga ou joias. Mantenha o cabelo e a roupa afastados das peças móveis.** As roupas largas, jóias ou o cabelo comprido podem ficar presos nestas peças.
- g. **Se for prevista a montagem de dispositivos de extracção e recolha de pó, assegure-se de que estão ligados e que são utilizados de forma correcta.** A utilização de dispositivos de extracção de partículas pode reduzir os riscos relacionados com as mesmas.
- h. **Não permita que o facto de estar familiarizado com a utilização frequente das ferramentas o torne complacente e ignore os princípios de segurança da ferramenta.** Uma acção irreflectida pode causar ferimentos graves numa fracção de segundos.

4. **Utilização e manutenção da ferramenta eléctrica**
    - a. **Não sobrecarregue a ferramenta eléctrica. Utilize a ferramenta eléctrica correta para o seu trabalho.** A ferramenta eléctrica adequada irá efectuar o trabalho de um modo mais eficiente e seguro se for utilizada de acordo com a capacidade para a qual foi concebida.
    - b. **Não utilize a ferramenta eléctrica se o interruptor não puder ser ligado nem desligado.** Qualquer ferramenta eléctrica que não possa ser controlada através do gatilho é perigosa e tem de ser reparada.
    - c. **Retire a ficha da tomada de electricidade e/ou a bateria da ferramenta eléctrica, caso seja possível fazê-lo, da ferramenta eléctrica antes de efectuar quaisquer ajustes, substituir acessórios ou guardar a ferramenta.** Estas medidas de segurança preventivas reduzem o risco de ligar a ferramenta eléctrica acidentalmente.
    - d. **Mantenha as ferramentas eléctricas que não estiverem a ser utilizadas fora do alcance de crianças. Não permita que a ferramenta eléctrica seja utilizada por pessoas não familiarizadas com a mesma ou que não tenham lido estas instruções.** As ferramentas eléctricas são perigosas nas mãos de pessoas que não possuam as qualificações necessárias para as manusear.
    - e. **Proceda à manutenção das ferramentas eléctricas e acessórios. Verifique se as partes móveis estão desalinhasadas ou bloqueadas, se existem peças partidas ou qualquer outra situação que possa afetar o funcionamento das ferramentas eléctricas. Se a ferramenta eléctrica estiver danificada, esta não deve ser utilizada até que seja reparada.** Muitos acidentes são causados por ferramentas eléctricas com uma manutenção insuficiente.
    - f. **Mantenha as ferramentas de corte sempre afiadas e limpas.** As ferramentas de corte sujeitas a uma manutenção adequada, com arestas de corte afiadas, bloqueiam com menos frequência e controlam-se com maior facilidade.
    - g. **Utilize a ferramenta eléctrica, acessórios e peças de ferramenta de acordo com estas instruções, considerando as condições de trabalho e o tarefa a ser executada.** A utilização da ferramenta eléctrica para finalidades diferentes das previstas pode resultar em situações perigosas.
    - h. **Mantenha os cabos e as superfícies de fixação secas, limpas e sem qualquer óleo ou gordura.** Se o cabo estiver escorregadio e as superfícies de fixação tiverem gordura, isso não permite um manuseamento e controlo seguros da ferramenta em situações inesperadas.
  5. **Utilização e cuidados a ter com a ferramenta a bateria (apenas para ferramentas a bateria)**
    - a. **Recarregue apenas com o carregador especificado pelo fabricante.** Um carregador adequado para um tipo de bateria pode causar um incêndio se for utilizado com outra bateria.
    - b. **Utilize ferramentas eléctricas apenas com baterias específicas.** A utilização de outras baterias pode causar danos e incêndio.
    - c. **Quando não utilizar a bateria, mantenha-a afastada de outros objectos metálicos, como cliques para papel, moedas, chaves, pregos, parafusos ou outros pequenos objectos metálicos que permitam fazer a ligação de um terminal a outro.** O curto-circuito de terminais da bateria pode causar queimaduras ou incêndio.
    - d. **Em condições abusivas, pode derramar líquido da bateria, devendo evitar o contacto. Se tocar acidentalmente no líquido, lave bem com água. Se o líquido entrar em contacto com os olhos, consulte um médico.** O líquido derramado da bateria pode causar irritação ou queimaduras.
    - e. **Não utilize uma bateria ou uma ferramenta que esteja danificada ou modificada.** As baterias danificadas ou modificadas podem ter um comportamento imprevisível, podendo causar incêndio, explosão ou risco de ferimentos.
    - f. **Não exponha a bateria ou a ferramenta ao fogo ou a excesso de temperatura.** A exposição ou uma temperatura superior a 130 °C pode dar origem a uma explosão. NOTA: A temperatura "130 °C" pode ser substituída pela temperatura "265 °F".
    - g. **Siga todas as instruções de carregamento e não carregue a bateria ou a ferramenta fora da gama de temperaturas especificadas nas instruções.** Se o carregamento não for efectuado correctamente ou se a temperaturas não estiverem de acordo com o limite especificado, a bateria pode ficar danificada e há um maior risco de incêndio.
  6. **Assistência**
    - a. **A ferramenta eléctrica deve ser reparada por técnicos qualificados que utilizem apenas peças de substituição iguais.** Desta forma, é garantida a segurança da ferramenta eléctrica.
    - b. **Nunca repare baterias danificadas.** A reparação das baterias só deve ser efectuada pelo fabricante ou por fornecedor de serviços autorizado (apenas para ferramentas com bateria).
- Regras adicionais de segurança específicas adicionais para lixadeiras**
- **Segure a ferramenta eléctrica pelas áreas isoladas, porque a cinta/base da lixadeira pode entrar em contacto com o próprio cabo.** Cortar um acessório em

contacto com um cabo “sob tensão” pode expor as peças metálicas do sistema eléctrico da ferramenta e provocar um choque eléctrico no operador.

- **Utilize grampos ou outro sistema prático para apoiar e fixar a peça numa plataforma estável.** Segurar a peça com a mão ou contra o corpo pode causar instabilidade e perda de controlo.
- A utilização adequada é descrita neste manual de instruções. A utilização de qualquer acessório ou a realização de qualquer operação com esta ferramenta que não esteja incluída neste manual de instruções pode causar ferimentos e/ou danos materiais.



**ATENÇÃO:** O contacto ou a inalação de poeiras originadas pelas aplicações da lixadeira pode colocar em perigo a saúde do operador ou das pessoas presentes. Use uma máscara anti-poeira, especialmente concebida para protecção contra poeiras tóxicas e vapores e certifique-se de que as pessoas que se encontrem ou entrem na área estão também protegidas.



**ATENÇÃO:** Ao lixar metais ferrosos, utilize esta ferramenta numa área com boa ventilação. Não utilize a ferramenta perto de líquidos, gases ou poeiras inflamáveis. As faíscas ou partículas quentes das escovas dos motores de lixar ou de escorvamento podem inflamar os materiais combustíveis.



**ATENÇÃO:** Não utilize o cartucho do filtro de poeira ou o adaptador de extracção de poeira para guardar objectos.

### Lixar tinta



**ATENÇÃO:** Verifique as normas aplicáveis para lixar pinturas. Tenha atenção especial ao seguinte: Sempre que possível, utilize um extractor de vácuo para recolha de poeiras. Tenha especial cuidado quando lixar tinta que possa conter chumbo: Não permita que crianças ou mulheres grávidas entrem na área de trabalho. Todas as pessoas na área de trabalho devem utilizar uma máscara de protecção especificamente concebida contra poeiras e vapores de pinturas com chumbo. Não coma, beba ou fume na área de trabalho. Elimine de forma segura as partículas de poeira e outros detritos originados pela remoção.



**ATENÇÃO:** Recomendamos a utilização de um dispositivo de corte residual com uma corrente residual de 30 mA ou menos.

### Instruções de segurança adicionais para lixadeiras

- **Use uma protecção auditiva.** A exposição ao ruído pode causar perda auditiva.

### Riscos residuais

Podem surgir riscos residuais adicionais durante a utilização da ferramenta, que podem não constar nos avisos de segurança incluídos. Estes riscos podem resultar de má utilização, uso prolongado, etc.

Mesmo com o cumprimento dos regulamentos de segurança relevantes e a implementação de dispositivos de segurança, alguns riscos residuais não podem ser evitados. Estes incluem:

- Ferimentos causados pelo contacto com peças em rotação/movimento.
- Ferimentos causados durante a troca de peças, lâminas ou acessórios.
- Ferimentos causados pela utilização prolongada de uma ferramenta. Se utilizar uma ferramenta durante períodos prolongados, certifique-se de que faz pausas com regularidade.
- Perda de audição.
- Problemas de saúde causados pela inalação de poeiras resultantes da utilização da ferramenta (exemplo: trabalhos em madeira, especialmente carvalho, faia e MDF).

### Segurança de terceiros

- Esta ferramenta não deve ser utilizada por pessoas (incluindo crianças) que apresentem capacidades físicas, sensoriais ou mentais reduzidas ou que não possuam os conhecimentos e a experiência necessários, excepto se forem vigiadas e instruídas acerca da utilização da ferramenta por uma pessoa responsável pela sua segurança.
- As crianças devem ser vigiadas para que não mexam no equipamento.
- A utilização adequada é descrita neste manual de instruções. A utilização de qualquer acessório ou a realização de qualquer operação com esta ferramenta que não esteja incluída neste manual de instruções pode causar ferimentos e/ou danos materiais.

### Vibração

Os valores de emissão de vibração declarados na secção de dados técnicos e na declaração de conformidade foram medidos de acordo com o método de teste padrão fornecido pela EN EN62841 e podem ser utilizados para comparar ferramentas. O valor da emissão de vibração declarado pode ainda ser utilizado numa avaliação preliminar de exposição.



**Atenção!** O valor da emissão de vibração durante a utilização real da ferramenta eléctrica pode ser diferente do valor declarado, dependendo da forma como a ferramenta é utilizada. O nível de vibração pode aumentar acima do nível indicado.

Quando avaliar a exposição da vibração para determinar as medidas de segurança exigidas pela Diretiva 2002/44/CE para proteger pessoas que utilizem regularmente ferramentas eléctricas na sua atividade profissional, deve ser considerada uma estimativa de exposição de vibração, as condições reais de utilização e o modo de utilização da ferramenta, incluindo ainda todas as partes do ciclo de funcionamento, como os

períodos de inatividade e espera da ferramenta, além do tempo de funcionamento.

### Etiquetas colocadas na ferramenta

A ferramenta apresenta os seguintes símbolos de aviso juntamente com o código de data:



**Atenção!** Para reduzir o risco de ferimentos, o utilizador deve ler o manual de instruções.

### Instruções de segurança adicionais para baterias e carregadores

#### Baterias

- Nunca tente abrir a bateria, seja qual for o motivo.
- Não exponha a bateria à água.
- Não armazene em locais onde a temperatura possa exceder os 40 °C.
- Carregue apenas a temperaturas ambiente entre 10 °C e 40 °C.
- Carregue apenas com o carregador fornecido com a ferramenta.
- Ao eliminar as baterias, siga as instruções indicadas na secção "Protecção do ambiente".



Não tente carregar baterias danificadas.

#### Carregadores

- Utilize o carregador apenas para carregar a bateria na respectiva ferramenta. Outras baterias podem rebentar, provocando ferimentos e danos.
- Nunca tente carregar baterias não recarregáveis.
- Substitua os cabos defeituosos imediatamente.
- Não exponha o carregador à água.
- Não abra o carregador.
- Não manipule o interior do carregador.



O carregador deve ser utilizado apenas em espaços interiores.

#### Segurança eléctrica



Este carregador tem um isolamento duplo e, por isso, não é necessário um fio de terra. Verifique sempre se a tensão da tomada de electricidade corresponde à tensão indicada na placa sinalética.

- Se o cabo de alimentação estiver danificado, deve ser substituído pelo fabricante ou por um centro de assistência autorizado da BLACK+DECKER para evitar acidentes.

#### Componentes

Esta ferramenta inclui todas ou parte das seguintes funcionalidades.

1. Cabo
2. Botão para ligar/desligar
3. Patim de lixagem
4. Bateria
5. Caixa para poeiras
6. Carregador

### Procedimento de carga (Fig. A)

Os carregadores da BLACK+DECKER são concebidos para carregar baterias da BLACK+DECKER.

- Ligue o carregador (6) numa tomada adequada antes de inserir a bateria (4).
- Insira a bateria (4) no carregador (6), como indicado na Figura A.
- O LED verde (6a) começa a piscar, indicando que a bateria está a ser carregada.
- A conclusão do processo de carregamento é LED verde (6a), que permanece ligado de maneira contínua. A bateria fica totalmente carregada e pode ser utilizada nesta altura ou pode deixá-la no carregador.

**Nota:** Recarregue as baterias descarregadas assim que possível após a utilização, caso contrário a duração da bateria pode diminuir consideravelmente. Para uma maior duração da bateria, não descarregue as baterias por completo. Recomenda-se que as baterias sejam carregadas após cada utilização.

#### Deixar a bateria no carregador

O carregador (6) e a bateria (4) podem permanecer ligados com o LED aceso indefinidamente. O carregador mantém a bateria completamente carregada.

#### Notas importantes sobre carregamento

- É possível aumentar a duração e o desempenho da bateria se carregá-la quando a temperatura ambiente se situar entre 18 °C e 24 °C. NÃO carregue a bateria se a temperatura ambiente for inferior a +4,5 °C ou superior a +40,5 °C. Isto é importante e impede danos graves na bateria.
- O carregador e a bateria podem ficar demasiado quentes durante o carregamento. Isto é normal e não representa um problema. Para facilitar o arrefecimento da bateria após a utilização, evite colocar o carregador ou a bateria num local quente, como num barracão metálico ou num reboque não isolado.
- Se a bateria não carregar correctamente:
  - ◆ Verifique a corrente na tomada, ligando uma lâmpada ou outro equipamento.
  - ◆ Verifique se a tomada está ligada a um interruptor de iluminação que se desliga quando desliga as luzes.
  - ◆ Coloque o carregador e a bateria num local onde a temperatura do ar ambiente seja de aproximadamente 18 ° - 24 °C.
  - ◆ Se os problemas de carregamento persistirem, leve a ferramenta, a bateria e o carregador para um centro de assistência local.
- A bateria deve ser recarregada se não fornecer energia suficiente durante trabalhos que tenham sido efectuados facilmente. NÃO CONTINUE a utilizar o equipamento nestas condições. Siga o procedimento de carregamento. Pode também carregar uma bateria parcialmente utilizada sempre que quiser, porque não afecta a bateria.
- Os materiais estranhos condutores como, por exemplo, mas não limitado a, lâ de aço, folha de alumínio ou qualquer acumulação de partículas metálicas devem ser

removidos dos orifícios do carregador. Desligue sempre o carregador da fonte de alimentação quando não estiver inserida uma bateria no respectivo orifício. Desligue o carregador antes de proceder à limpeza.

- Não congele nem coloque o carregador dentro de água ou de outros líquidos.



**Atenção!** Não permita a entrada de líquidos no carregador. Nunca tente abrir a bateria, seja qual for o motivo. Se a estrutura de plástico da bateria se partir ou rachar, envie o equipamento para um centro de assistência para reciclagem.

### Diagnóstico do carregador (Fig. B)

Consulte os indicadores indicados na Figura B para saber qual é o estado da carga da bateria.

### Problemas na bateria

Se aparecer um padrão intermitente de problemas na bateria, interrompa o carregamento desta bateria. Entregue-a num centro de assistência ou num local de recolha para reciclagem.

### Retardação de calor/frio

Quando o carregador detecta que uma bateria está demasiado quente ou fria, inicia automaticamente a retardação de calor/frio, interrompendo o processo de carga até a bateria atingir a temperatura adequada. Em seguida, o carregador muda automaticamente para o modo de carga. Esta função assegura a duração máxima da bateria. Uma bateria fria fica carregada a uma taxa mais lenta do que uma bateria quente. A bateria irá carregar a essa taxa mais lenta durante todo o ciclo de carga e não recupera a taxa de carga máxima, mesmo que a bateria aqueça.

### Inserir e retirar a bateria da ferramenta

#### Instalar a bateria (Fig. C)

- Insira a bateria (4) na ferramenta até ouvir um som de encaixe (Figura C)
- Certifique-se de que a bateria está totalmente encaixada na posição.

#### Retirar a bateria (Fig. D)

- Pressione o botão de libertação da bateria (7), como indicado na Figura D e retire a bateria (4) da ferramenta.

### Instalar os discos abrasivos com velcro (Fig. E)

Para obter os melhores resultados, utilize os acessórios da BLACK+DECKER.

- A lixadeira foi concebida para utilização com uma lixa de malha de carboneto ou com uma lixa normal com um padrão de extração de poeira de 8 furos.
- Para instalar o disco abrasivo (8), centre-o com cuidado sobre o patim de lixagem (3), certificando-se de que os furos no disco ficam alinhados com os furos no patim e insira o disco com firmeza.
- Para retirar o disco abrasivo, com sistema de fixação por velcro, basta puxá-lo. Pode utilizá-lo de novo, se necessário.

### Utilização



**Atenção!** Não altere o ritmo de funcionamento da ferramenta. Não sobrecarregue.

### Ligar e desligar

- Para ligar a ferramenta, coloque o interruptor de ligar/desligar (2) na posição "I".
- Para desligar a ferramenta, coloque o interruptor de ligar/desligar (2) na posição "O".

### Funcionamento

Segure na lixadeira como indicado na Figura G e ligue-a. Utilize-a com movimentos longos e amplos ao longo da superfície, permitindo à ferramenta funcionar. Se empurrar a ferramenta para baixo durante a lixagem, a taxa de remoção diminui e a qualidade do acabamento é inferior. Verifique o trabalho com frequência. A lixadeira tem capacidade para remover material com rapidez, em especial com papel grosso.

### Extração de poeiras (Fig. H, I)



**Atenção!** O pó produzido pelos revestimentos das superfícies de lixagem (poliuretano, óleo de linhaça, etc.) pode inflamar-se no interior do saco de poeira da lixadeira ou nouro local e causar um incêndio. Para reduzir o risco, esvazie o saco com regularidade e siga o manual da lixadeira e as instruções do fabricante do revestimento.

- Para fixar a caixa na lixadeira, alinhe as ranhuras na caixa (9) com as saliências (10) na porta de recolha de poeira.
- Faça deslizar a caixa para dentro da porta de recolha de poeira, rodando-a para fixá-la no respectivo local, como indicado na Figura H.
- Para retirá-la, rode a caixa para a esquerda e faça deslizar a caixa para fora.
- Para esvaziar a caixa, retire-a da porta de recolha de poeira e deite os resíduos num caixote do lixo adequado, Figura I.

### Manutenção

A ferramenta BLACK+DECKER foi concebida para funcionar durante muito tempo com um mínimo de manutenção.

Uma utilização continuamente satisfatória depende de uma manutenção adequada da ferramenta e de uma limpeza regular.

O carregador não necessita de manutenção para além da limpeza regular.



**Atenção!** Antes de ser realizada qualquer operação de manutenção na ferramenta, remova a bateria da ferramenta. Desligue o carregador antes de o limpar.

- Limpe regularmente as aberturas de ventilação do ferramenta e o carregador com uma escova suave ou um pano seco.
- Limpe regularmente o compartimento do motor com um pano húmido. Não utilize produtos de limpeza abrasivos ou à base de solventes.

## Protecção do ambiente



Faça uma recolha de lixo seletiva. Os produtos e as baterias assinalados com este símbolo não devem ser eliminados juntamente com o lixo doméstico normal.

Os produtos e baterias contêm materiais que podem ser recuperados ou reciclados, reduzindo a necessidade de matérias-primas. Recicle os produtos eléctricos e as baterias de acordo com as disposições locais. Estão disponíveis mais informações em [www.2helpU.com](http://www.2helpU.com)

## Dados técnicos

| BDCROS18 H1                     |                    |        |
|---------------------------------|--------------------|--------|
| Tensão de entrada               | $V_{CC}$           | 18     |
| Oscilações (sem carga)          | min. <sup>-1</sup> | 12 000 |
| Órbitas (sem carga)             | min. <sup>-1</sup> | 12 000 |
| Superfície de base da lixadeira | mm <sup>2</sup>    | 12660  |
| Peso                            | kg                 | 0,9    |
| Bateria BL1518                  |                    |        |
| Tensão                          | $V_{CC}$           | 18     |
| Capacidade                      | Ah                 | 1,5    |
| Tipo                            |                    | H4     |
| Carregador SSC-250040X          |                    |        |
| Tensão de entrada               | $V_{CA}$           | 230    |
| Voltagem de saída               | $V_{CC}$           | 8 - 20 |
| Corrente                        | mA                 | 400    |

|   |
|---|
| $L_{DA}$ (pressão acústica) 71,5 dB(A), Imprecisão (K) 3 dB(A)                                    |
| $L_{WA}$ (potência acústica) 82,5 dB(A), Imprecisão (K) 3 dB(A)                                   |
| <b>Valores totais de vibração (soma vectores triaxiais) de acordo com EN62841:</b>                |
| Valor de emissão de vibrações ( $a_w$ ) 3,4 m/s <sup>2</sup> , incerteza (K) 1,5 m/s <sup>2</sup> |

## Declaração de conformidade CE

DIRECTIVA "MÁQUINAS"



BDCROS18 Lixadeira

A Black & Decker declara que os produtos descritos nos "dados técnicos" estão em conformidade com: EN62841-1:2015, EN62841-2-4:2014.

Estes produtos estão também em conformidade com as directivas 2006/42/CE, 2014/30/UE e 2011/65/UE. Para obter mais informações, contacte a Black & Decker através da morada indicada abaixo ou consulte o verso do manual. O abaixo assinado é responsável pela compilação do ficheiro técnico e faz esta declaração em nome da Black & Decker.

A. P. Smith  
 Director Técnico de Engenharia  
 Black & Decker Europe, 270 Bath Road, Slough,  
 Berkshire, SL1 4DX, Reino Unido  
 30/04/2019

## Garantia

A Black & Decker confia na qualidade dos seus produtos e oferece aos clientes uma garantia de 24 meses a partir da data de compra. Esta garantia é um complemento dos seus direitos estabelecidos por lei, não os prejudicando de forma alguma. A garantia é válida nos Estados-membros da União Europeia e nos países-membros da Zona Europeia de Comércio Livre.

Para acionar a garantia, esta deve estar em conformidade com os termos e condições da Black & Decker e terá de apresentar comprovativos de compra ao vendedor ou a um técnico de reparação autorizado.

Os termos e condições da garantia de 2 anos da Black & Decker e a localização do agente de reparação autorizado mais próximo podem ser obtidos na Internet em [www.2helpU.com](http://www.2helpU.com) ou contactando uma filial local da Black & Decker, cuja morada está indicada neste manual.

Visite o nosso Website [www.blackanddecker.co.uk](http://www.blackanddecker.co.uk) para registar o seu novo produto da Black & Decker e receber actualizações sobre novos produtos e ofertas especiais.



## Avsedd användning

Din slipmaskin från BLACK+DECKER BDCROS18 har utformats för snabb slipning av trä, metall och plast i en konsumentmiljö. Detta verktyg är endast avsett för konsumentbruk.

## Säkerhetsinstruktioner

### Allmänna säkerhetsanvisningar för elverktyg



**Varning! Läs alla säkerhetsvarningar, instruktioner, illustrationer och specifikationer som levereras med detta elverktyg.** Underlåtenhet att läsa alla instruktioner som listas här nedan kan resultera i elektrisk stöt, eldsveda och/eller allvarlig personskada.

**Spara alla säkerhetsföreskrifter och anvisningar för framtida bruk.** Begreppet "elverktyg" i alla varningar som listas nedan avser nätdrivna elverktyg (med nätsladd) och batteridrivna elverktyg (sladdlösa).

#### 1. Säkerhet på arbetsplatsen




- Håll arbetsområdet rent och ordentligt upplyst.** Belamrade och mörka områden inbjuder till olyckor.
- För att undvika explosionsrisk bör du inte använda elverktyget i omgivningar med brännbara vätskor, gaser eller damm.** Elverktyg skapar gnistor som kan antända damm eller ångor.
- Håll barn och andra personer på betryggande avstånd när du använder elverktyg.** Distractioner kan göra att du förlorar kontrollen.

#### 2. Elsäkerhet

- Elverktygets stickkontakt måste passa i eluttaget.** Modifiera aldrig kontakten på något sätt. Använd inga adapterkontakter tillsammans med jordade elverktyg. Icke modifierade kontakter och passande uttag minskar risken för elektrisk stöt.
- Undvik kroppskontakt med jordade ytor som t.ex. rör, värmeelement, spisar och kylskåp.** Det finns en ökad risk för elektrisk stöt om din kropp är jordansluten eller jordad.
- Skydda elverktyget mot regn och väta.** Vatten som kommer in i ett elverktyg ökar risken för elektrisk stöt.
- Hantera inte nätsladden ovarsamt. Använd aldrig sladden för att bära, dra eller koppla bort elverktyget från uttaget.** Håll sladden borta från värme, olja, skarpa kanter eller rörliga delar. Skadade eller tilltrasslade sladdar ökar risken för elektrisk stöt.
- Använd endast förlängningssladdar som är godkända för utomhusbruk när du arbetar med elverktyg utomhus.** Användning av en sladd som är lämplig för utomhusbruk minskar risken för elektriska stötar.
- Om du måste använda ett elverktyg på en fuktig plats ska du använda jordfelsbrytare.** Användning av en jordfelsbrytare minskar risken för elektrisk stöt.

#### 3. Personlig säkerhet

- Var uppmärksam, se på vad du gör och använd elverktyget med förnuft. Använd inte ett elverktyg när du är trött eller påverkad av droger, alkohol eller mediciner.** Ett ögonblicks ouppmärksamhet när du arbetar med elektriska verktyg kan leda till allvariga personsador.
  - Använd personlig skyddsutrustning. Använd alltid skyddsglasögon.** Skyddsutrustning såsom skyddsmask, halksäkra säkerhetsskor, skyddshjälm eller hörselskydd som används för lämpliga förhållanden minskar personsador.
  - Undvik oavsiktlig start. Kontrollera att strömbrytaren står i avstängt läge innan du ansluter verktyget till elnätet eller sätter i batteriet, samt innan du tar upp eller bär verktyget.** Att bära elektriska verktyg med fingret på strömbrytaren eller att koppla strömmen till elektriska verktyg när strömbrytaren är på leder till olyckor.
  - Ta bort alla inställningsverktyg och skruvnycklar innan du startar elverktyget.** Ett verktyg eller en nyckel som har lämnats kvar på en roterande del av det elektriska verktyget kan orsaka kroppssador.
  - Böj dig inte för långt. Ha ordentligt fötäste och balans hela tiden.** Detta möjliggör bättre kontroll av elverktyget i oväntade situationer.
  - Klä dig på lämpligt sätt. Bär inte lösa kläder eller smycken. Håll hår och kläder borta från delar i rörelse.** Lösa kläder, smycken eller långt hår kan fastna i rörliga delar.
  - Om elverktyget har utrustning för dammsugning och -uppsamling ska du kontrollera att utrustningen är rätt monterad och används på korrekt sätt.** Användning av dammuppsamling kan minska dammrelaterade risker.
  - Låt inte erfarenheten som uppnås vid frekvent användning av verktyg låta dig bli för självsäker och ignorera verktygs säkerhetsprinciperna.** En oförsiktig handling kan orsaka allvariga skador under bråkdelen av en sekund.
- #### 4. Användning och skötsel av elverktyg
- Överbelasta inte elverktyget. Använd rätt elverktyg för ditt arbete.** Det korrekta elverktyget gör arbetet bättre och säkrare vid den hastighet för vilket det konstruerades.
  - Använd inte elverktyget om det inte går att starta och stänga av det med strömbrytaren.** Ett elverktyg som inte kan kontrolleras med strömbrytaren är farligt och måste repareras.
  - Ta ur kontakten från strömkällan och/eller batteriet från elverktyget, om det går att ta bort, innan du gör några justeringar, byter tillbehör eller lagrar elverktygen.** Sådana förebyggande säkerhetsåtgärder minskar risken att oavsiktligt starta elverktyget.

- d. Förvara elverktyg utom räckhåll för barn. Låt inte elverktyget användas av personer som inte är vana vid det, eller som inte läst denna bruksanvisning. Elverktyg är farliga i händerna på ovana användare.
- e. Underhåll elverktyg och tillbehör. Kontrollera att rörliga komponenter fungerar felfritt och inte kärvar, att komponenter inte gått sönder eller skadats och inget annat föreligger som kan påverka elverktygets funktion. Om det är skadat, se till att elverktyget blir reparerat före användning. Många olyckor orsakas av dåligt underhållna elektriska verktyg.
- f. Håll skärverktyg vassa och rena. Korrekt underhållna kapverktyg med vassa skär är mindre troliga att de fastnar och är lättare att kontrollera.
- g. Använd elverktyget, tillbehör, insatsverktyg osv. enligt dessa anvisningar och på sätt som föreskrivits för aktuell verktygsmodell. Ta hänsyn till arbetsvillkoren och arbetsmomenten. Användning av elverktyget för andra uppgifter än vad som avsetts kan resultera i farliga situationer.
- h. Håll handtagen och greppytorna torra, rena och fria från olja och fett. Hala handtag och greppyor förhindrar säker hantering och kontroll av verktyget i oväntade situationer.
5. Batteriverktyg användning och skötsel (används endast för batteriverktyg)
- a. Ladda endast med den laddare som rekommenderas av tillverkaren. En laddare som passar en batterityp kan medföra brandrisk om den används ihop med ett annat batteri.
- b. Använd elverktyget endast med batterier som är speciellt avsedda för ändamålet. Användning av andra batteripaket kan utgöra en risk för personskador och brand.
- c. När batteriet inte används ska du hålla det åtskilt från metallföremål som gem, mynt, nycklar, spik, skruvar och andra små metallföremål som kan orsaka kortslutning mellan batteriets poler. Kortslutning av batteripolerna kan leda till brännskador eller eldsvåda.
- d. Under olämpliga förhållanden kan vätska spruta ut från batteriet. Undvik kontakt. Vid oavsiktlig kontakt, spola med vatten. Om vätskan kommer i kontakt med ögonen, sök också läkarhjälp. Vätska som sprutar ur batteriet kan orsaka sveda och brännskador.
- e. Använd inte batteripaket eller verktyg som är skadade eller modifierade. Skadade eller modifierade batterier kan uppvisa oförutsägbart beteende som kan leda till brand, explosion eller risk för skada.
- f. Utsätt inte batteripaket eller verktyg för brand eller höga temperaturer. Exponering för brand eller temperatur över 130 °C kan orsaka explosion. NOTERA: Temperaturen "130 °C" kan ersättas med temperaturen "265 °F".
- g. Följ laddningsinstruktionerna och ladda inte batteripaketet eller verktyget utanför det temperaturområde som specificeras i instruktionerna. Om du laddar batteriet felaktigt eller vid temperaturer utanför det angivna området kan det skada batteriet och öka risken för brand.
6. Service
- a. Se till att ditt elverktyg får service av en kvalificerad reparatör, som endast använder identiska ersättningsdelar. Detta säkerställer att elverktygets säkerhet bibehålls.
- b. Utför aldrig service på skadade batteripaket. Service på batteripaket skall endast utföras av tillverkaren eller auktoriserad servicepersonal (endast för batteriverktyg).
- Ytterligare specifika säkerhetsregler för slipmaskiner
- Håll elverktyget i de isolerade greppytorna, eftersom det finns risk för att slipbandet/slipytan kommer i kontakt med verktygets egen nätsladd. Kapning av en strömförande ledning kan exponera metalldelar hos elverktyget som kan ge operatören elektriska stötar.
  - Använd klämmor eller något annat praktiskt sätt att stödja arbetsstycket vid ett stabilt underlag. Att hålla arbetsstycket för hand eller mot kroppen är instabilt och kan göra att du förlorar kontrollen.
  - Avsedd användning beskrivs i denna bruksanvisning. Om andra tillbehör eller tillsatser används, eller om någon annan åtgärd än de som rekommenderas i den här bruksanvisningen utförs med verktyget, kan personer och/eller egendom ta skada.
-  **WARNING:** Slipning ger upphov till damm som kan skada den som använder verktyget och andra i närheten vid kontakt eller inandning. Använd ett andningsskydd som konstruerats speciellt för skydd mot giftigt damm och rök och se till att personer inom eller som kommer in i arbetsområdet också skyddas.
-  **WARNING:** Använd det här verktyget på en plats med god ventilation vid slipning av järnhaltiga metaller. Använd inte verktyget i närheten av brandfarliga vätskor, gaser eller damm. Gnistor eller varma partiklar från slipningen eller ljusbågar från motorer kan antända brännbart material.
-  **WARNING:** Använd inte dammfilterkassetten eller dammsugningsadaptorn för att förvara föremål.

## Slipning av målarfärg



**WARNING:** Iakttag gällande föreskrifter vid slipning av målarfärg. Var särskilt uppmärksam på följande: Använd om möjligt dammsugningsutrustning. Var särskilt försiktig när du slipar bort färg som eventuellt innehåller bly: Låt aldrig barn eller gravida kvinnor vistas på arbetsplatsen. Alla personer som vistas på arbetsplatsen ska använda en specialkonstruerad ansiktsmask som skyddar mot blyhaltigt damm eller ångor. Åt, drick eller rök inte på arbetsplatsen. Släng damm och annat avlägsnat avfall på miljösäker plats.



**WARNING:** Vi rekommenderar användning av en jordfelsbrytare med en restström på 30 mA eller mindre.

## Extra säkerhetsföreskrifter för slipmaskiner

- Använd hörselskydd. Att utsättas för buller kan leda till hörselskador.

## Återstående risker

Ytterligare risker som inte finns med i de bifogade säkerhetsanvisningarna kan uppstå när verktyget används. Dessa risker kan uppstå vid felaktig eller långvarig användning, etc.

Även om alla relevanta säkerhetsanvisningar följs och säkerhetsanordningar används kan vissa ytterligare risker inte undvikas. Dessa omfattar:

- Skador orsakade av att roterande/rörliga delar vidrörs.
- Skador som uppstår vid byte av delar, blad eller tillbehör.
- Skador som orsakas av långvarig användning av ett verktyg. Se till att regelbundet ta vilopausar när du använder ett verktyg under en längre period.
- Hörselnedsättning.
- Hälsorisker orsakade av inandning av damm när redskapet används (exempel: arbete med trä, särskilt ek, bok och MDF)

## Säkerhet för andra

- Verktyget ska inte användas av personer (inklusive barn) med nedsatt fysisk eller mental förmåga eller bristande erfarenhet och kunskap om de inte får vägledning och övervakas av en person som ansvarar för deras säkerhet.
- Barn bör övervakas för att garantera att de inte leker med apparaten.
- Avsedd användning beskrivs i denna bruksanvisning. Om andra tillbehör eller tillsatser används, eller om någon annan åtgärd än de som rekommenderas i den här bruksanvisningen utförs med verktyget, kan personer och/eller egendom ta skada.

## Vibrationer

De vibrationsvärden som anges i avsnitten Tekniska data och deklarationen om överensstämmelse har uppmätts i enlighet med en standardtestmetod föreskriven i EN62841 och kan användas för jämförelse med andra verktyg. Det angivna vibrationsvärdet kan även användas för en preliminär bedömning av exponeringen.



**Varning!** Vibrationsvärdet under faktisk användning av elverktyget kan skilja sig från det uppgivna värdet beroende på hur verktyget används. Vibrationsnivån kan överstiga den uppgivna nivån.

Vid uppskattningar av exponering för vibrationer i syfte att bedöma vilka säkerhetsåtgärder som är nödvändiga enligt 2002/44/EG för att skydda personer som regelbundet använder elverktyg i arbetet ska man utgå från de faktiska omständigheter under vilka elverktyget används och sättet på vilket det används. Bedömningen ska även ta hänsyn till alla moment i arbetscykeln, t.ex. när verktyget är avstängt och när det går på tomgång såväl som när det faktiskt används.

## Etiketter på verktyget

Följande varningssymboler finns på verktyget, tillsammans med datumkoden:



**Varning!** Läs bruksanvisningen före användning för att minska risken för personskador.

## Ytterligare säkerhetsinstruktioner för batterier och laddare

### Batterier

- Försök aldrig öppna batteriet.
- Låt inte batterierna komma i kontakt med vatten.
- Förvara inte på platser där temperaturen kan bli högre än 40 °C.
- Ladda endast vid temperaturer mellan 10 °C och 40 °C.
- Ladda endast med hjälp av laddare som medföljer verktyget.
- Följ instruktionerna som anges i avsnittet "Miljö" när du kastar batterierna.



Försök inte ladda skadade batterier.

### Laddare

- Laddaren får bara användas för att ladda batteriet i det verktyg som laddaren levererades med. Andra batterier kan spricka och orsaka personskador och andra skador.
- Försök aldrig ladda batterier som inte är uppladdningsbara.
- Byt defekta sladdar omgående.
- Utsätt inte laddaren för vatten.
- Öppna inte laddaren.
- Gör ingen återkan på laddaren.



Laddaren är endast avsedd för inomhusbruk.

### Elsäkerhet



Eftersom laddaren är dubbelisolerad behövs ingen jordledare. Kontrollera alltid så att spänningen på nätet motsvarar den spänning som finns angiven på märkplåten.

- Om nätsladden är skadad måste den bytas ut av tillverkaren eller ett auktoriserat BLACK+DECKER-servicecenter för att undvika risker.

## Funktioner

Detta verktyg har några eller samtliga av följande funktioner.

1. Handtag
2. Strömbrytare
3. Slipdyna
4. Batteri
5. Dammbehållare
6. Laddare

## Laddningsprocedur (bild A)

BLACK+DECKER laddare är designade för att ladda BLACK+DECKER batteripaket.

- Koppla in laddaren (6) i lämpligt uttag innan batteripaketet (4) sätts i.
- Sätt in batteripaketet (4) i laddaren (6) på det sätt som bild A visar.
- Den gröna LED (6a) blinkar vilket indikerar att batteriet laddas.
- När laddningen är klar indikeras detta av att den gröna LED (6a) lyser kontinuerligt. Batteriet är fulladdat och kan nu användas eller lämnas i laddaren.

**Notera:** Ladda urladdade batterier så snart som möjligt efter användning, i annat fall kan batterilivslängden minska betydligt. För att uppnå maximal batterilivslängd bör du inte ladda ur batteriet helt och hållet. Vi rekommenderar att du laddar batterierna efter varje användning.

## Lämna batteriet i laddaren

Laddaren (6) och batteripaketet (4) kan vara ansluten till vägguttaget hur länge som helst när indikatorn lyser. Laddaren ser till att batteriet hålls fräscht och fulladdat.

## Viktiga anmärkningar gällande laddning

- Längsta livslängd och bästa prestanda uppnås om batteripaketet laddas då lufttemperaturen är mellan 18 °C och 24 °C. Ladda INTE batteripaketet i lufttemperaturer under +4,5 °C eller över +40,5 °C. Detta är viktigt eftersom det förhindrar allvarig skada på batteripaketet.
- Laddaren och batteripaketet kan bli för varma att vidröra under laddningen. Detta är normalt och indikerar inte något problem. För att möjliggöra kylning av batteripaketet, undvik att placera laddaren eller batteripaketet på en varm plats såsom i ett metallskjul eller i en isolerad vagn.
- Om batteripaketet inte laddar korrekt:
  - ◆ Kontrollera eluttaget genom att ansluta en lampa eller någon annan apparat.
  - ◆ Kontrollera om uttaget är anslutet till en strömbrytare som stänger av strömmen när du släcker ljuset.
  - ◆ Flytta laddaren och batteripaketet till en plats där den omgivande temperaturen är ungefär 18 °C-24 °C.
  - ◆ Om laddningsproblemen kvarstår, lämna verktyget, batteripaketet och laddaren till ditt lokala servicecenter.
- Batteripaketet måste laddas när de inte längre kan producera tillräckligt med energi för jobb som enkelt utfördes tidigare. FORTSÄTT INTE att använda det under dessa förhållanden. Följ laddningsproceduren. Du kan också ladda ett delvis använt paket när du så önskar utan att det har någon negativ effekt på batteripaketet.

- Främmande föremål som är ledande såsom, men inte begränsat till, stålull, aluminiumfolie eller ansamling av metallpartiklar bör hållas borta från laddningshållrummet. Koppla alltid ifrån laddaren från eluttaget när det inte finns något batteripaket i facket. Koppla ifrån laddaren vid rengöring.
- Frys inte eller sänk ned laddaren i vatten eller annan vätska.



**Varning!** Låt ingen vätska komma in i laddaren. Försök aldrig att öppna batteripaketet av någon anledning. Om plasthöljet på batteripaketet går sönder eller spricker, lämna det till ett servicecenter för återvinning.

## Laddardiagnostik (bild B)

Se indikatorerna i bild B för laddningsstatus för batteripaketet.

## Dåligt batteri

Om du ser ett blinkmönster för dåligt batteri, fortsätt då inte att ladda batteriet. Returnera det till ett servicecenter eller lämna det till batteriansamlingen.

## Varm/kall fördröjning

När laddaren upptäcker ett batteripaket som är för hett eller för kallt, kommer den automatiskt att starta en varm/kall fördröjning och avbryta laddningen tills batteriet har nått en lämplig temperatur. Laddaren växlar sedan automatiskt till laddningsläge. Denna funktion garanterar maximal livslängd för batteripaketet. Ett kallt batteri kommer att ladda med en lägre hastighet jämfört med ett varmt batteripaket. Paketet kommer att laddas med en lägre hastighet genom hela laddningscykeln och kommer inte att återgå till maximal laddningshastighet även om batteriet blir varmt.

## Montering och borttagning av batteripaketet från verktyget

### Installera batteripaket (bild C)

- Sätt in batteriet (4) i verktyget tills ett hörbart klick hörs (bild C)
- Se till att batteripaketet sitter helt på plats och är låst i positionen.

### Ta bort batteripaketet (bild D)

- Tryck ned batterilåsknappen (7) såsom visas i bild D och dra bort batteripaketet (4) från verktyget.

## Fästa slipskivor med kardborrefäste (bild E)

För bästa resultat använd BLACK+DECKER-tillbehör.

- Våra slipsmaskiner är designade för användning med meshkarbid-sandpapper eller med standardsandpapper med dammutsugningsmönstret med åtta hål.
- För att fästa slipskivan (8), centrera den noga över slipdynan (3) se till att hälen i skivan passar mot hälen i slipdynan och tryck fast skivan.
- Kardborrefästsystemet för slipskivan kan lätt tas bort genom att det dras av. Det kan återanvändas om så önskas.

## Användning



**Varning!** Låt verktyget arbeta i sin egen takt. Överbelasta inte.

### Slå på och stänga av

- Slå på verktyget genom att trycka strömbrytaren (2) framåt till läge I.
- Stäng av verktyget genom att trycka strömbrytaren (2) bakåt till läge O.

### Drift

Ta tag i slipmaskinen såsom visas i bild G och slå på den. Flytta den i långa och svepande rörelser över ytan, låt den göra arbetet. Att trycka ned verktyget under slipningen minskar sliphastigheten och ger en sämre finishkvalitet. Kontrollera arbetet ofta. Slipmaskinen kan ta bort material snabbt med grovt slippapper.

### Dammuppsugning (fig. H, I)



**Varning!** Uppsamlat slipdamm från slipyntans beläggning (polyuretan, linolja etc.) kan självantända i slipmaskinens dammpåse eller på annat ställe och orsaka brand. För att minska risken bör påsen tömmas regelbundet och slipmaskinens manual samt instruktionerna från beläggningstillverkaren följas strikt.

- För att fästa dammuppsamlaren på slipmaskinen, rikta in spåren på dammuppsamlaren (9) mot piggarna (10) på dammutsugningsöppningen.
- Skjut på behållaren på dammutsugningsöppningen och vrid dammuppsamlaren medurs för att låsa den på plats såsom visas i bild H.
- För att ta bort den, vrid dammuppsamlaren moturs och dra bort dammuppsamlaren.
- För att tömma dammuppsamlaren, ta bort den från dammutsugningsöppningen och töm slipskräpet i en lämplig skräpbehållare bild I.

### Underhåll

Detta BLACK+DECKER-verktyg har konstruerats för att fungera under lång tid med ett minimum av underhåll. Med rätt underhåll och regelbunden rengöring behåller verktyget sin prestanda.

Laddaren behöver inget annat underhåll än regelbunden rengöring.



**Varning!** Ta ut batteriet ur verktyget innan du utför något underhåll på verktyget. Dra ur sladden till laddaren innan du rengör den.

- Rengör regelbundet verktygets luftintag och laddaren med en mjuk borste eller torr trasa.
- Rengör motorhöljet regelbundet med en fuktig trasa. Använd aldrig något slipande eller lösningsmedelsbaserat rengöringsmedel.

## Skydda miljön



Separat insamling. Produkter och batterier som är markerade med denna symbol får inte kastas i de vanliga hushållssoporna.

Produkterna och batterierna innehåller material som kan återvinnas eller återanvändas, vilket sänker behovet av råmaterial. Återvinn elektriska produkter och batterier enligt lokala föreskrifter. Närmare information finns tillgänglig på [www.2helpU.com](http://www.2helpU.com)

### Tekniska data

| BDCROS18 H1             |                   |        |
|-------------------------|-------------------|--------|
| Inspänning              | V <sub>DC</sub>   | 18     |
| Svängningar (obelastad) | min <sup>-1</sup> | 12000  |
| Varvtal (obelastad)     | min <sup>-1</sup> | 12000  |
| Slipbasyta              | mm <sup>2</sup>   | 12660  |
| Vikt                    | kg                | 0.9    |
| Batteri                 |                   |        |
| BL1518                  |                   |        |
| Spänning                | V <sub>DC</sub>   | 18     |
| Kapacitet               | Ah                | 1.5    |
| Typ                     |                   | H4     |
| Laddare                 |                   |        |
| SSC-250040X             |                   |        |
| Inspänning              | V <sub>AC</sub>   | 230    |
| Utspänning              | V <sub>DC</sub>   | 8 - 20 |
| Strömstyrka             | mA                | 400    |

|   |
|---|
| L <sub>PA</sub> (ljudnivå) 71,5 dB(A), osäkerhet (K) 3 dB(A)                                |
| L <sub>WA</sub> (ljudeffekt) 82,5 dB(A), osäkerhet (K) 3 dB(A)                              |
| <b>Totala vibrationsvärden (vektorsumman av tre axlar) fastställda enligt EN62841:</b>      |
| Vibrationsvärde (a <sub>h</sub> ) 3,4 m/s <sup>2</sup> , osäkerhet (K) 1,5 m/s <sup>2</sup> |

**EG-försäkran om överensstämmelse**

MASKINDIREKTIVET



BDCROS18 Slip

Black & Decker försäkrar att dessa produkter, beskrivna under "tekniska data" uppfyller:

EN62841-1:2015, EN62841-2-4:2014.

Dessa produkter överensstämmer även med direktiven 2006/42/EG, 2014/30/EU och 2011/65/EU. Kontakta Black & Decker för ytterligare information på följande adress, eller se handbokens baksida.

Undertecknad är ansvarig för sammanställningen av den tekniska filen och lämnar denna deklaration på uppdrag av Black & Decker.

A. P. Smith

Technical Director of Engineering

Black &amp; Decker Europe, 270 Bath Road, Slough,

Berkshire, SL1 4DX, Storbritannien

2019-04-30

**Garanti**

Black & Decker är säker på kvaliteten hos denna produkt och erbjuder kunder 24 månaders garanti från inköpsdatumet.

Denna garanti är ett tillägg till dina lagstadgade rättigheter och påverkar inte dessa på något sätt. Garantin är giltig i de områden som tillhör medlemsstaterna i Europeiska unionen och det europeiska frihandelsområdet.

För yrkande under garantin måste yrkandet vara i enlighet med Black & Deckers villkor och du kommer att behöva skicka in bevis på köpet till försäljaren eller en auktoriserad reparatör.

Villkoren för Black & Deckers 2-åriga garanti och var du hittar din närmaste auktoriserade reparatör kan hittas på internet på [www.2helpU.com](http://www.2helpU.com), eller genom att kontakta ditt lokala Black & Decker-kontor på adressen som anges i denna bruksanvisning.

Besök vår webbplats [www.blackanddecker.co.uk](http://www.blackanddecker.co.uk) för att registrera din nya Black & Decker-produkt samt för att få information om nya produkter.

## Tiltenkt bruk

Din BLACK+DECKER BDCROS18 slipemaskin er konstruert for rask sliping av treverk, metall og plast i et forbrukermiljø. Dette verktøyet er bare ment som et forbrukerverktøy.

## Sikkerhetsinstruksjoner

### Generelle sikkerhetsadvarsler for elektroverktøy



**Advarsel! Les alle sikkerhetsanvisninger, instruksjoner, illustrasjoner og spesifikasjoner som følger dette elektriske verktøyet.** Manglende overholdelse av instruksjonene som er listet opp under kan resultere i elektrosjokk, ild og/eller alvorlig skade.

**Ta vare på alle advarsler og instruksjoner for fremtidig bruk.** Begrepet «elektroverktøy» i advarslene nedenfor gjelder nettdrevet elektroverktøy (med ledning) eller batteridrevet elektroverktøy (uten ledning).

#### 1. Sikkerhet i arbeidsområdet

- Hold arbeidsområdet rent og godt opplyst.** Rotete eller mørke områder er en invitasjon til ulykker.
- Ikke bruk verktøy i eksplosive omgivelser, slik som i nærheten av antenkelige væsker, gasser eller støv.** Elektrisk verktøy skaper gnister som kan antenne støv eller gasser.
- Hold barn og andre personer unna når du bruker et elektroverktøy.** Hvis du blir forstyrret under arbeidet, kan du miste kontrollen.

#### 2. Elektrisk sikkerhet

- Støpselet til elektroverktøy må passe i stikkontakten. Aldri modifierer støpselet på noen måte. Ikke bruk adapterstøpsler til jordede elektriske verktøy.** Umodifiserte støpsler og stikkontakter som passer vil redusere risikoen for elektrisk sjokk.
- Unngå kroppskontakt med jordede overflater som rør, radiatorer, komfyrer og kjøleskap.** Det er økt fare for elektrisk støt dersom kroppen din er jordet.
- Hold elektroverktøy unna regn eller fuktighet.** Dersom det kommer vann i et elektroverktøy, øker faren for elektrisk støt.
- Unngå uforvarselig behandling av ledningen. Aldri bruk ledningen til å bære, trekke eller dra ut støpselet til det elektriske verktøyet. Hold ledningen borte fra varme, olje, skarpe kanter eller bevegelige deler.** Skadede eller innviklede ledninger øker risikoen for elektrisk sjokk.
- Når du bruker et elektroverktøy utendørs, må du bruke en skjøteledning som er egnet for utendørs bruk.** Når du bruker en skjøteledning som er egnet for utendørs bruk, reduseres risikoen for elektrisk støt.
- Dersom bruk av et elektrisk verktøy på et fuktig sted er unngåelig, bruk en strømkilde med jordfeilbryter (RCD).** Bruk av jordfeilbryter (RCD) reduserer risikoen for elektrisk støt.

#### 3. Personlig sikkerhet

- Vær oppmerksom, pass på hva du gjør, og vis fornuft når du arbeider med et elektroverktøy. Ikke bruk et elektrisk verktøy dersom du er trøtt eller er påvirket av medikamenter, narkotika eller alkohol.** Ett øyeblikks uoppmerksomhet under bruk av elektriske verktøy kan føre til alvorlig personskade.
  - Bruk personlig verneutstyr. Bruk alltid vernebriller.** Verneutstyr slik som støvmaske, sklisikre vernesko, hjelm, eller hørselsvern brukt under passende forhold vil redusere personskader.
  - Unngå utilsiktet oppstart. Kontroller at bryteren står i posisjon «av» før du kobler til strømkilden og/eller batteripakken, og før du tar opp eller bærer verktøyet.** Å bære elektriske verktøy med fingeren på bryteren eller å sette inn støpselet mens elektriske verktøy har bryteren på øker faren for ulykker.
  - Fjern eventuelle justeringsnøkler før du slår på det elektriske verktøyet.** En nøkkel som er festet til en roterende del av det elektriske verktøyet kan føre til personskade.
  - Ikke strekk deg for langt. Ha godt fotfeste og stå støtt hele tiden.** Dette fører til at du har bedre kontroll over det elektriske verktøyet ved uventede situasjoner.
  - Bruk egnet antrekk. Ikke ha på deg løstsittende klær eller smykker. Hold hår og klær borte fra bevegelige deler.** Løstsittende klær, smykker og langt hår kan bli fanget opp av bevegelige deler.
  - Hvis det kan monteres støvavsug- og oppsamlingsinnretninger, må du forvise deg om at disse er tilkoblet og brukes på riktig måte.** Bruk av støvoppsamlere kan redusere støvrelaterte farer.
  - Ikke la erfaring med hyppig bruk av verktøy la deg bli likegyldig og ignorere verktøyet sikkerhetsregler.** En uforsiktig handling kan føre til alvorlig personskade på økdelen av et sekund.
- #### 4. Bruk og vedlikehold av elektriske verktøy
- Ikke bruk makt på elektroverktøyet. Bruk det elektriske verktøyet som situasjonen krever.** Det riktige elektriske verktøyet vil gjøre jobben bedre og tryggere ved den hastigheten det ble konstruert for.
  - Ikke bruk elektroverktøyet hvis du ikke kan slå det på og av med bryteren.** Ethvert elektrisk verktøy som ikke kan kontrolleres med bryteren er farlig og må repareres.
  - Trekk støpselet ut av stikkontakten og/eller koble fra batteripakken, hvis den er avtakbar, fra elektroverktøyet før du foretar noen justeringer, endrer tilbehør eller lagrer elektroverktøy.** Slike preventive sikkerhetsforanstaltninger reduserer risikoen for å starte det elektriske verktøyet ved et uhell.

- d. **Elektroverktøy som ikke er i bruk, må oppbevares utilgjengelig for barn. Ikke la verktøyet bli brukt av personer som ikke er fortlroelig med det, eller som ikke har lest denne bruksanvisningen.** Elektriske verktøy er farlige i hendene på utrenede brukere.
- e. **Sørg for vedlikehold av elektroverktøy og tilbehør. Undersøk om bevegelige deler er feiljustert eller blokkert, om deler er skadet, og om det er andre forhold som kan påvirke elektroverktøyet funksjon. Dersom det er skadet, få verktøyet reparert før neste bruk.** Mange ulykker forårsakes av dårlig vedlikeholdte verktøy.
- f. **Hold skjæreverktøy skarpe og rene.** Godt vedlikeholdte skjæreverktøy med skarpe skjærekanter setter seg mindre sannsynlig fast og er lettere å kontrollere.
- g. **Bruk elektroverktøy, tilbehør, bits osv. i henhold til disse instruksjonene. Ta hensyn til arbeidsforholdene og arbeidet som skal utføres.** Bruk av det elektriske verktøyet for oppgaver som er forskjellige fra de som er tiltenkt kan føre til en farlig situasjon.
- h. **Hold håndtakene og gripeflatene tørre, rene og frie for olje og fett.** Glatte håndtak og gripeflater forhindrer trygg håndtering og kontroll av verktøyet i uventede situasjoner.
5. **Bruk og stell av batteriverktøy (kun for batteriverktøy)**
- a. **Skal kun lades opp ved hjelp av batteriladeren spesifisert av produsenten.** En lader som passer for en type batteripakke kan føre til risiko for brann dersom den brukes på en annen batteripakke.
- b. **Bruk elektroverktøy bare med spesifikt angitte batteripakker.** Bruk av andre batteripakker kan føre til risiko for personskade og brann.
- c. **Når batteripakken ikke er i bruk, hold den unna metallgjenstander som binderser, mynter, nøkler, filer, skruer eller andre små metallgjenstander som kan skape en kobling fra en pol til den andre.** Kortslutning av batteripolene mot hverandre kan føre til brannskader eller brann.
- d. **Ved feilaktig bruk kan det komme væske ut av batteriet, unngå kontakt med den. Dersom du kommer i kontakt med den, skyll av med vann. Dersom du får væsken i øynene, søk legehjelp.** Væske som kommer ut av batteriet kan føre til irritasjon eller brannskader.
- e. **Batteripakke eller verktøy som er skadet eller modifisert skal ikke brukes.** Batterier som er skadet eller modifisert kan ha uventet oppførsel og føre til brann, eksplosjon eller personskader.
- f. **Batteripakken skal ikke utsettes for brann eller for høy temperatur.** Eksponering for brann eller temperaturer over 130 °C kan føre til eksplosjon. MERK: Temperaturer "130 °C" kan erstattes av temperaturen "265 °F".
- g. **Følg alle ladeinstrukser og ikke lade batteripakken eller verktøyet utenfor temperaturområdet som angitt i bruksanvisningen.** Feil lading eller ved temperaturer utenfor det angitt området kan skade batteriet og øke faren for brann.
6. **Service**
- a. **Elektroverktøy skal alltid repareres av kvalifisert personell og bare med originale reservedeler.** Dette vil sikre at verktøyet sikkerhet blir ivarettatt.
- b. **Skadede batteripakker skal aldri repareres.** Service på batteripakker skal kun utføres av produsenten eller autoriserte serviceverksteder (kun for batteriverktøy).

### Ekstra sikkerhetsregler spesielt for slipemaskiner

- **Hold elektroverktøyet i de isolerte grepoverflatene, fordi slipebåndet/slipebasen kan komme i kontakt med egen kabel.** Kapping av en strømførende ledning kan føre til at eksponerte metalldele på elektroverktøyet blir strømførende, og kan gi operatøren støt.
- **Bruk tvinger eller annen praktisk måte å sikre og holde arbeidsstykket på et stabilt underlag.** Å holde arbeidsstykket i hendene eller mot kroppen er ustabil og kan føre til at du mister kontroll.
- **Bruksområdet er beskrevet i denne bruksanvisningen.** Hvis du bruker annet tilbehør, kobler til annet utstyr eller bruker dette produktet til andre oppgaver enn det som er anbefalt i denne håndboken, kan det medføre fare for personskader og/eller skade på eiendom.



**ADVARSEL:** Kontakt med eller innånding av støv som oppstår ved pussing, kan være helseskadelig for brukeren og eventuelle personer i nærheten. Bruk en støvmaske spesielt designet for beskyttelse mot giftig støv og røyk og påse at personer innenfor eller som kommer inn i arbeidsområdet også har beskyttelse.



**ADVARSEL:** Bruk dette verktøyet på et sted med god gjennomlufting når du sliper jernholdige metaller. Ikke bruk verktøyet i nærheten av brennbare væsker eller gasser eller brennbart støv. Gnister eller varme partikler fra slipingen eller gnister fra motorbørstene kan antenne brennbart materiale.



**ADVARSEL:** Ikke bruk støvfilterkassetten eller støvadapteret til å lagre objekter i.

### Sliping av maling



**ADVARSEL:** Følg alltid nøye alle sikkerhetsinstruksjoner for sliping av maling. Vær spesielt oppmerksom på følgende: Om mulig, bruk en støvsuger for å samle opp støv. Vær ekstra forsiktig når du pusser maling som kan inneholde bly: Ikke la barn eller gravide komme inn der du arbeider. Alle som kommer inn i arbeidsområdet må bruke en maske spesielt utformet for å beskytte mot støv fra



blymaling og damp. Ikke spis, drikk eller røyk der du arbeider. Kvitt deg med støvpartikler og annet avfall på en trygg og miljøvennlig måte.



**ADVARSEL:** Vi anbefaler at du bruker en jordfeilbryter med en utløserstrøm på 30mA eller mindre.

## Ekstra sikkerhetsinstrukser for slipemaskiner

- **Bruk hørselvern.** Å bli utsatt for støy kan forårsake hørselstap.

### Restrisikoer

Når verktøyet brukes, kan det oppstå ytterligere risikoer som kanskje ikke er beskrevet i de medfølgende sikkerhetsadvarslene. Disse risikoene kan bli forårsaket av feil bruk, langvarig bruk osv.

Selv om de relevante sikkerhetsbestemmelsene blir fulgt, og sikkerhetstiltakene blir gjennomført, kan visse gjenværende risikoer ikke unngås. Disse inkluderer:

- Personskader som forårsakes av berøring av en roterende/bevegelig del.
- Personskader som forårsakes av at en del, et blad eller tilbehør endres.
- Personskader som forårsakes av langvarig bruk av apparatet. Når du bruker et verktøy i lange perioder, må du sørge for å ta regelmessige pauser.
- Hørselskader.
- Helsefarer som skyldes innånding av støv som dannes når du bruker verktøyet (for eksempel under arbeid med tre, spesielt eik, bok og MDF.)

### Andre personers sikkerhet

- Det er ikke meningen at dette verktøyet skal brukes av personer (inkludert barn) med reduserte fysiske, sansemessige eller mentale evner, eller personer som mangler erfaring og kunnskap, med mindre de har fått oppfølging eller instruksjoner for bruken av verktøyet fra en person som er ansvarlig for deres sikkerhet.
- Barn må holdes under oppsyn, sørg for at de ikke leker med apparatet.
- Bruksområdet er beskrevet i denne bruksanvisningen. Hvis du bruker annet tilbehør, kobler til annet utstyr eller bruker dette produktet til andre oppgaver enn det som er anbefalt i denne håndboken, kan det medføre fare for personskader og/eller skade på eiendom.

### Vibrasjon

Vibrasjonsemissionsverdien som er angitt under tekniske data og samsvarserklæring, er blitt målt i henhold til en standard testmetode som er angitt i EN62841, og kan brukes til å sammenligne et verktøy med et annet. Den oppgitte vibrasjonsemissionsverdien kan også brukes til en foreløpig vurdering av eksponering.



**Advarsel!** Vibrasjonsemissionsverdien under faktisk bruk av elektroverktøyet kan avvike fra den oppgitte verdien avhengig av måten verktøyet blir brukt på. Vibrasjonsnivået kan øke over nivået som er oppgitt.

Under vurdering av vibrasjonseksponering for å bestemme sikkerhetstiltak som kreves i 2002/44/EF for å beskytte

personer som bruker elektroverktøy regelmessig i arbeidet, skal det tas hensyn til de faktiske bruksforholdene og måten verktøyet blir brukt på. Dette gjelder alle deler av bruksstykkelsen – også de gangene verktøyet er slått av, når det går på tomgang, samt tiden utløseren er inne.

### Etiketter på verktøyet

Følgende advarselssymboler vises på verktøyet sammen med datokoden:



**Advarsel!** Brukeren må lese håndboken for å redusere risikoen for personskaade.

### Ytterligere sikkerhetsinstruksjoner for batterier og ladere

#### Batterier

- Forsøk aldri å åpne av noen årsak.
- Ikke utsett batteriene for vann.
- Ikke oppbevar det på steder hvor temperaturen kan komme over 40 °C.
- Skal bare lades ved omgivelsestemperaturer mellom 10 °C og 40 °C.
- Bruk bare laderen som følger med apparatet.
- Følg instruksene som finnes i avsnittet "Miljø" når du skal kaste batterier.



Ikke forsøk å lade opp skadede batterier.

#### Ladere

- Laderen skal bare brukes til å lade batteriet i apparatet som laderen kom sammen med. Andre batterier kan sprekke og føre til personskaade og materiell skade.
- Prøv aldri å lade ikke-oppladbare batterier.
- Skift ut defekte ledninger umiddelbart.
- Ikke utsett laderen for vann.
- Ikke åpne laderen.
- Ikke stikk noe inn i laderen.



Laderen er bare beregnet for innendørs bruk.

#### Elektrisk sikkerhet



Denne laderen er dobbeltisolert. Jording er derfor ikke nødvendig. Kontroller alltid at strømforsyningen samsvarer med spenningen på merkeskiltet.

- Hvis strømlødingen blir skadet, må den byttes av produsenten eller et autorisert BLACK+DECKER-servicesenter for å unngå farer.

### Funksjoner

Dette verktøyet har noen av eller alle følgende egenskaper.

1. Håndtak
2. Av/på-knapp
3. Slipe-pad
4. Batteri
5. Støvbøholder
6. Lader

## Ladeprosedyre (Fig. A)

BLACK+DECKER-ladere er designet for å lade

BLACK+DECKER-batteripakker.

- Plugg inn laderen (6) i en passende stikkontakt før du setter inn batteripakken (4).
- Sett batteripakken (4) inn i laderen (6) som vist i figur A.
- Det grønne LED-lyset (6a) blinker for å varsle om at batteriet lades.
- Fullført lading vises ved at den grønne LED-en (6a) er på kontinuerlig. Pakken er da fullt oppladet og kan brukes, eller den kan bli stående i laderen.

**Merk:** Lad opp utladede batterier så fort som mulig etter bruk, ellers vil batteriets levetid forringes. For lengst batterilevetid, ikke lad ut batteriet helt. Det anbefales at du lader batteriet etter hver bruk.

## La batteriet være i laderen

Laderen (6) og batteripakken (4) kan forbli tilkoblet med lysende LED-lys i ubegrenset tid. Laderen holder batteripakken klar og fulladet.

## Viktige merknader om lading

- Lang levetid og best ytelse oppnås dersom batteripakken lades med lufttemperatur mellom 65°F og 75°F (18°-24°C). IKKE lade batteripakken med lufttemperatur under +40°F (+4,5°C) eller over +105°F (+40,5°C). Dette er viktig og vil forhindre alvorlig skade på batteripakken.
- Laderen og batteripakken kan være varme å ta på under lading. Dette er normalt og er ikke et tegn på et problem. For å muliggjøre bedre kjøling av batteripakken etter bruk, unngå å oppbevare laderen i varme omgivelser slik som et metallskur eller en isolert tilhenger.
- Hvis batteripakken ikke lader skikkelig:
  - ◆ Kontroller strømmen i kontakten ved å sette inn en lampe eller et annet apparat.
  - ◆ Kontroller om stikkkontakten er koblet til en lysbryter som slår av strømmen når du slår av lyset.
  - ◆ Flytt laderen og batteripakken til et sted hvor omgivelsestemperaturen er omtrent 65°F - 75°F (18°-24°C).
  - ◆ Hvis ladeproblemene vedvarer, ta verktøyet, batteripakken og laderen til ditt lokale servicesenter.
- Denne batteripakken må lades opp når den slutter å gi nok strøm til jobber som ble utført litt tidligere. I så fall, IKKE fortsett å bruke verktøyet. Følg ladeprosedyren. Du kan også lade opp en delvis utladet pakke når som helst uten at det har noen effekt på batteripakken.
- Fremmedlegemer som kan lede strøm, inkludert, men ikke begrenset til stålull, aluminiumsfolie eller annen ansamling av metalliske partikler, må holdes unna åpningene i laderen. Kople alltid laderen fra strømtilførselen når det ikke er en batteripakke i hulrommet. Kople fra laderen før rengjøring.
- IKKE sprut på eller senke ned i vann eller andre væsker.



**Advarsel!** Ikke la væske komme inn i laderen. Forsøk aldri å åpne batteripakken av noen årsak. Dersom plasthuset på batteripakken knekker eller får sprekker, send den til et servicesenter for avhending.

## Laderdiagnose (Fig.B)

Se indikatorene i figur B for ladestatus av batteripakken.

## Dårlig batteri

Hvis du ser dette blinkemønsteret for dårlig batteri, skal du ikke fortsette å lade batteriet. Returner det til et servicesenter eller et oppsamlingssted for resirkulering.

## Ventetid for varm/kald pakke

Dersom laderen detekterer et batteripakke som er for varmt eller for kaldt, vil den automatisk starte en "varm/kald pakke forsinkelse", og venter med å lade til batteripakken har passende temperatur. Laderen vil deretter automatisk skifte til lademodus for pakken. Denne funksjonen sikrer maksimal levetid på batteripakken. En kald batteripakke vil lade med lavere hastighet enn en varm batteripakke. Batteripakken vil lade langsommere gjennom hele ladesyklusen, og vil ikke gå tilbake til maksimal ladehastighet selv om batteriet blir varmt.

## Sette inn og ta av batteripakke på verktøyet

### Installere batteripakken (Fig. C)

- Sett batteriet (4) inn i apparatet til du hører et klikk når det går i lås (Fig. C)
- Pass på at batteripakken sitter godt og er låst på plass.

### Ta ut batteripakken (Fig. D)

- Trykk på batteriutløserknappen (7) som vist på figur D og dra batteripakken (4) ut av verktøyet.

## Feste sandpapisriver med borrelås (Fig. E)

For best resultater, bruk BLACK+DECKER tilbehør.

- Sandpapisriveren er designet for bruk enten med sandpapir av gitter-karbid eller med standard sandpapir med 8-hulls støvsugermønster.
- For å sette på sandpapisriveren (8), sentrer den nøyaktig over pusseputen (3) og pass på at hullene i skiven passer overens med hullene i puten, og frykk skiven godt på plass.
- Sandpapisriveren med borrelås kan enkelt tas av, trekk den rett av. Den kan gjenbrukes om ønskelig.

## Bruk



**Advarsel!** La verktøyet arbeide i sin egen hastighet. Må ikke overbelastes.

## Slå på og av

- Når du skal slå verktøyet på, skyver du strømbryteren (2) fremover til posisjon "I".
- Når du skal slå verktøyet av, skyver du strømbryteren (2) til posisjon O.

## Bruk

Grip sandpapisriveren som vist i figur G og slå den PÅ. Beveg sliperen i lange, flytende bevegelser langs overflaten, slik at sliperen gjør arbeidet. Ved å trykke ned verktøyet under sliping vil du faktisk bremse slipehastigheten og få dårligere sluttresultat. Kontroller arbeidet ofte. Sandpapisriveren kan fjerne materiale raskt ved bruk av grovt papir.

## Støvsuging (figur H, I)



**Advarsel!** Oppsamlet sandstøv fra slipte overflatebelegg (polyuretan, linolje etc.) kan være selvantennende i en støvpose eller andre steder, og kan føre til brann. For å redusere risikoen, tøm støvposen ofte og følg bruksanvisningen for slipemaskinen og produsenten av overflatebelegget nøye.

- For å feste kannen til slipemaskinen, rett inn sporene i kannen (9) med knastene (10) på støvporten.
- Skyv kannen inn på støvporten og vri kannen med klokken som vist i figur H.
- For å ta av, vri kannen mot klokken og skyv posen av.
- For å tømme kannen, ta den av støvporten og dump sandstøvet i en egnet søppelbeholder, se figur I.

## Vedlikehold

BLACK+DECKER-verktøyet ditt er konstruert for å være i drift over lengre tid med et minimum av vedlikehold. For at det skal fungere tilfredsstillende over tid, er det viktig å sørge for riktig stell av verktøyet og regelmessig renhold.

Laderen krever ikke annet vedlikehold enn regelmessig rengjøring.



**Advarsel!** Før du utfører vedlikehold på verktøyet, må du fjerne batteriet fra verktøyet. Trekk ut laderen fra stikkontakten før du rengjør den.

- Rengjør ventilasjonsåpningene i verktøyet og laderen jevnlig med en myk børste eller tørr klut.
- Rengjør motorhuset regelmessig med en fuktig klut. Ikke bruk slipende eller løsemiddelbaserte rengjøringsmidler.

## Miljøvern



Separat avfallshåndtering. Produkter og batterier merket med dette symbolet skal ikke kastes i vanlig husholdningsavfall.

Produkter og batterier inneholder materialer som kan gjenbrukes eller gjenvinnes for å redusere behovet for nye råmaterialer. Vennligst lever elektrisk utstyr og batterier til gjenbruk i henhold til lokale retningslinjer. Mer informasjon finner du på [www.2helpU.com](http://www.2helpU.com)

## Tekniske data

| BDCROS18 H1              |            |        |
|--------------------------|------------|--------|
| Inngangsspenning         | $V_{DC}$   | 18     |
| Svingninger (ubelastet)  | $min^{-1}$ | 12000  |
| Omdreininger (ubelastet) | $min^{-1}$ | 12000  |
| Slipbaseoverflate        | $mm^2$     | 12660  |
| Vekt                     | kg         | 0,9    |
| Batteri BL1518           |            |        |
| Spenning                 | $V_{DC}$   | 18     |
| Kapasitet                | Ah         | 1,5    |
| Type                     |            | H4     |
| Lader SSC-250040X        |            |        |
| Inngangsspenning         | $V_{AC}$   | 230    |
| Utgangsspenning          | $V_{DC}$   | 8 - 20 |
| Strøm                    | mA         | 400    |

|  |
|--|
| $L_{pA}$ (lydtrykk) 71,5 dB(A), usikkerhet (K) 3 dB(A)                     |
| $L_{WA}$ (lydeffekt) 82,5 dB(A), usikkerhet (K) 3 dB(A)                    |
| Totale vibrasjonsverdier (triaks vektorsum) bestemt i samsvar med EN62841: |
| Vibrasjonsverdi ( $a_{h,r}$ ) 3,4 $m/s^2$ , usikkerhet (K) 1,5 $m/s^2$     |

**EF-samsvarserklæring**

MASKINDIREKTIVET



BDCROS18 Slipemaskin

Black & Decker erklærer at disse produktene, som er beskrevet under "Tekniske data", er i samsvar med:

EN62841-1:2015, EN62841-2-4:2014.

Disse produktene er også i samsvar med direktiv 2006/42/EU, 2014/30/EU og 2011/65/EU. Hvis du ønsker mer informasjon, kan du kontakte Black & Decker på adressen under eller se baksiden av bruksanvisningen.

Undertegnede er ansvarlig for sammenstillingen av den tekniske filen og fremsetter denne erklæringen på vegne av Black & Decker.

A. P. Smith

Teknisk utviklingsdirektør

Black & Decker Europe, 270 Bath Road, Slough,  
Berkshire, SL1 4DX, Storbritannia  
30.04.2019

**Garanti**

Black & Decker er trygg på kvaliteten av produktene sine og tilbyr en 24 måneders garanti fra kjøpsdato. Denne garantierklæringen kommer i tillegg til dine lovbestemte rettigheter og er ikke i konflikt med disse. Garantien er gyldig innen områdene tilhørende medlemslandene i den Europeiske Union (EU) og det Europeiske Frihandelsområdet (EFTA).

For å ta garantien i bruk må kravet være i samsvar med kjøpsbetingelsene fra Black&Decker og du må vise kjøpskvittering til forhandleren eller til et autorisert serviceverksted.

Betingelsene for Black & Decker 2 års garanti og adressen til din nærmeste autoriserte serviceverksted kan du finne på internett under [www.2helpU.com](http://www.2helpU.com), eller ved å kontakte ditt lokale Black & Decker kontor, adressen er angitt i denne bruksanvisningen.

Besøk våre nettsider på [www.blackanddecker.co.uk](http://www.blackanddecker.co.uk) to å registrere ditt nye Black & Decker-produkt og for å få informasjon om nye produkter og spesialtilbud.

## Tilsigtet brug

Din slibemaskine BLACK+DECKER BDCROS18 er designet til slibning af træ, metal og plastic i et forbrugsmiljø. Værktøjet er kun til privat brug.

## Sikkerhedsinstruktioner

### Generelle sikkerhedsadvarsler

#### vedrørende elværktøj



**Advarsel! Læs alle sikkerhedsadvarsler, instruktioner, illustrationer og specifikationer, der følger med dette elværktøj.** Manglende overholdelse af alle nedenstående instruktioner kan medføre elektrisk stød, brand og/eller alvorlige kvæstelser.

#### Gem alle advarsler og instruktioner til fremtidig reference.

Begrebet "elværktøj", der benyttes i nedenstående advarsler, henviser til netdrevne (med netledning) eller batteridrevne maskiner (uden netledning).

#### 1. Sikkerhed i arbejdsområdet

- Sørg for, at arbejdsområdet er rent og godt oplyst.** Rodede eller mørke områder giver anledning til ulykker.
- Brug ikke elværktøj i eksplosive omgivelser, f.eks. hvor der er brændbare væsker, gasser eller støv.** Elværktøj danner gnister, der kan antænde støv eller dampe.
- Hold børn og andre personer på afstand, når et elværktøj er i brug.** Distractioner kan medføre, at du mister kontrollen.

#### 2. Elektricitet og sikkerhed

- Elværktøjsstik skal passe til stikkontakten. Stikket må aldrig modificeres på nogen måde. Undlad at bruge adapterstik sammen med (jordforbundet) elektrisk værktøj.** Umodificerede stik og dertil passende stikkontakter reducerer risikoen for elektrisk stød.
- Undgå kropskontakt med jordforbundne overflader som f.eks. rør, radiatorer, komfurer og køleskabe.** Der er øget risiko for elektrisk stød, hvis din krop er jordforbundet.
- Elværktøj må ikke udsættes for regn eller fugt.** Hvis der trænger vand ind i et elektrisk værktøj, øges risikoen for elektrisk stød.
- Ødelæg ikke ledningen. Brug aldrig ledningen til at bære, trække værktøjet eller trække det ud af stikkontakten. Hold ledningen borte fra varme, olie, skarpe kanter og bevægelige dele.** Beskadede eller sammenfiltrede ledninger øger risikoen for elektrisk stød.
- Hvis elværktøj benyttes i det fri, skal der benyttes en forlængerledning, som er godkendt til udendørs brug.** Brug af en ledning, der er egnet til udendørs brug, reducerer risikoen for elektrisk stød.


- Brug en strømkilde med fejlstrømsbeskyttelse, hvis det er uundgåeligt at anvende elværktøj på fugtige steder.** Ved at benytte en fejlstrømsafbryder reduceres risikoen for elektrisk stød.

#### 3. Personssikkerhed

- Vær opmærksom, hold øje med, hvad du laver, og brug elværktøjet fornuftigt. Betjen ikke værktøjet, hvis du er træt, påvirket af narkotika, alkohol eller medicin.** Et øjeblik uopmærksomhed under anvendelse af et elektrisk værktøj kan forårsage alvorlige kvæstelser.
- Anvend personligt beskyttelsesudstyr. Bær altid beskyttelsesbriller.** Det er muligt at reducere risikoen for kvæstelser ved alt efter omstændighederne at anvende det passende sikkerhedsudstyr såsom en støvmaske, skridsikre sikkerhedssko, sikkerhedshjelm eller høreværn.
- Sørg for, at værktøjet ikke kan starte tilsigtet. Kontrollér, at afbryderkontakten står på slukket, inden værktøjet tilsluttes strømkilden og/eller batteriet, samles op eller bæres.** Når elektrisk værktøj bæres med fingeren på kontakten eller tilsluttes, når kontakten er tændt, giver det anledning til ulykker.
- Fjern indstillingsværktøj eller skruenøgle, inden elværktøjet tændes.** En skruenøgle eller anden nøgle, der bliver siddende på en roterende del af elektrisk værktøj, kan give anledning til personskade.
- Undlad at række for langt. Hold hele tiden en god fodstilling og balance.** Dette udgør at du har bedre kontrol over det elektriske værktøj, når uventede situationer opstår.
- Bær hensigtsmæssig påklædning. Bær ikke løst tøj eller smykker. Hold dit hår og tøj væk fra bevægelige dele.** Løstsiddende tøj, smykker eller langt hår kan blive fanget i bevægelige dele.
- Hvis støvudsugnings- og opsamlingsudstyr kan monteres, er det vigtigt, at dette tilsluttes og benyttes korrekt.** Anvendelse af støvopsamlingsudstyr kan begrænse farer forårsaget af støv.
- Lad ikke kendskab fra hyppig brug af værktøjer gøre dig uforsigtig og få dig til at ignorere principperne for værktøjsikkerhed.** En uforsigtig handling kan forårsage alvorlig personskade på en brøkdæl af et sekund.

#### 4. Brug og vedligeholdelse af elværktøj

- Undgå at overbelaste elværktøjet. Brug det elværktøj, der er bedst egnet til det arbejde, der skal udføres.** Det korrekte elværktøj klarer opgaven bedre og mere sikkert med den effekt, som det er konstrueret til.

- b. **Brug ikke elværktøjet, hvis afbryderen er defekt.** Alt elektrisk værktøj, der ikke kan kontrolleres med kontakten, er farligt og skal repareres.
- c. **Træk stikket ud af stikkontakten og/eller fjern batterienheden fra det elektriske værktøj, hvis det kan udtages, før det elektriske værktøj justeres, dets tilbehør udskiftes, eller det stilles til opbevaring.** Sådanne forebyggende sikkerhedsforanstaltninger mindsker risikoen for, at værktøjet startes utilsigtet.
- d. **Opbevar ubenyttet elværktøj uden for børns rækkevidde. Elværktøjet må ikke bruges af personer, der ikke er fortrolige med det, eller som ikke har gennemlæst disse instruktioner.** El-værktøj er farligt i hænderne på personer, som ikke er instrueret i brugen deraf.
- e. **Elværktøj og tilbehør skal vedligeholdes. Kontroller, om bevægelige dele er skæve og ikke sidder fast, og om delene er brækket eller beskadiget, så elværktøjets funktion påvirkes. Hvis det elektriske værktøj er beskadiget, skal det repareres før brug.** Mange ulykker er forårsaget af dårligt vedligeholdt værktøj.
- f. **Sørg for, at skæreværktøjer er skarpe og rene.** Ordentligt vedligeholdt skæreværktøj med skarpe skærekanten har mindre tilbøjelighed til at binde og er lettere at styre.
- g. **Brug elværktøjet, tilbehøret, indsatsværktøj osv. i overensstemmelse med disse instruktioner under hensyntagen til arbejdsforholdene og arbejdet, der skal udføres med værktøjet.** Brug af elektrisk værktøj til andre opgaver end dem, det er beregnet til, kan resultere i en farlig situation.
- h. **Hold håndtagene og håndtagsfladerne tørre, rene og fri for olie og fedt.** Glatte håndtag og gribeflader giver ikke en sikker håndtering og kontrol af værktøjet i uventede situationer.
5. **Brug og pleje af batteriværktøj (bruges kun til batteriværktøjer)**
- a. **Genoplad kun værktøjet ved brug af den oplader, der er angivet af producenten.** En oplader, der passer til en type batteripakke, kan udgøre en risiko for brand, når den bruges til en anden type.
- b. **Brug kun elværktøj sammen med batteripakker, der er specifikt beregnet hertil.** Brugen af andre batteripakker kan medføre personskade og brand.
- c. **Når batteripakken ikke er i brug, hold den på afstand af andre metalgenstande som fx papirclips, mønter, nøgler, søm, skruer eller andre små metalgenstande, som kan frembringe en kortslutning fra en pol til en anden.** Kortslutning af batteriet kan forårsage forbrændinger eller brand.
- d. **Under grove forhold kan væske sive ud fra batteriet; undgå kontakt. Hvis der opstår kontakt ved et uheld, skyl med vand. Hvis væske kommer ind i øjnene, søg omgående lægehjælp.** Væske, der siver ud fra batteriet, kan fremkalde irriterationer eller forbrændinger.
- e. **Brug ikke en batteripakke eller et værktøj, der er beskadiget eller modificeret.** Beskadigede eller modificerede batterier kan udvise uforudsigelig adfærd, hvilket kan resultere i brand, eksplosion eller risiko for personskade.
- f. **Udsæt ikke en batteripakke eller et værktøj for ild eller for høj temperatur.** Eksponering for ild eller temperatur på over 130 °C kan forårsage eksplosion. BEMÆRK: Temperaturen „130 °C“ kan erstattes af temperaturen „265 °F“.
- g. **Følg alle opladningsanvisninger, og undlad at oplade batteripakken eller værktøjet uden for det temperaturinterval, der er specificeret i instruktionerne.** En forkert opladning eller opladning uden for det specificerede interval kan beskadige batteriet og øge risikoen for brand.
6. **Service**
- a. **Få altid elværktøjet repareret af kvalificerede fagfolk udelukkende med identiske reservedele.** Derved sikres det, at værktøjets driftssikkerhed opretholdes.
- b. **Beskadigede batteripakker må aldrig serviceres.** Service af batteripakker bør kun udføres af producenten eller autoriserede serviceudbydere (bruges kun til batteriværktøjer).
- Ekstra specielle sikkerhedsregler for slibemaskiner**
- **Hold i elværktøjets isolerede gribeflader, da sliberemmen/slibefoden kan komme i kontakt med værktøjets elledning.** Hvis man skærer i en strømførende ledning, bliver elværktøjets blottagte dele strømførende, så brugeren får stød.
  - **Brug klemmer eller en anden praktisk måde for at fastgøre og understøtte arbejdsemnet til et stabilt underlag.** Hvis du holder fast i arbejdsemnet med din hånd eller krop, vil det være ustabil, og det kan medføre, at du mister kontrollen over det.
  - Den tilsigtede anvendelse er beskrevet i denne betjeningsvejledning. Brug af ekstraudstyr eller tilbehør eller udførelse af andre opgaver med dette værktøj end de, der anbefales i denne vejledning, kan medføre risiko for personskade og/eller materiel skade.
-  **ADVARSEL:** Kontakt med eller indånding af støvpartikler fra slibearbejde kan udgøre en fare for både brugerens og eventuelle omkringståendes helbred. Bær en støvmaske, der er specielt designet til beskyttelse imod giftigt støv og røg og kontrollér, at personer, som opholder sig i eller kommer ind i arbejdsområdet, også er beskyttede.



**ADVARSEL:** Ved slibning af jernholdigt metal med dette værktøj skal der være god udluftning. Brug ikke værktøjet i nærheden af brændbare væsker, gasser eller støv. Gnister eller varme partikler fra slibningen eller lysbue motorens kul kan antænde brændbare materialer.



**ADVARSEL:** Brug ikke støvfilterkassetten eller støvudsugningsadapteren til at opbevare genstande.

### Slibning af maling



**ADVARSEL:** Følg de relevante forskrifter for slibning af maling. Vær især opmærksom på følgende: Brug så vidt muligt en vakuumprensler til støvopsamling. Man skal være specielt opmærksom ved slibning af maling, som er blybaseret: Børn og gravide kvinder må ikke betræde arbejdsområdet. Alle personer, der betræder arbejdsområdet, skal bære en maske, der er specielt designet til beskyttelse mod blybaseret maling og røg. Spis, drik og ryg ikke i arbejdsområdet. Støvpartikler og andet snavs, der kan fjernes, skal bortskaffes på en sikker måde.



**ADVARSEL:** Vi anbefaler at bruge en fejlstrømsbeskyttelse med en nominal fejlstrøm på 30 mA eller derunder.

### Yderligere sikkerhedsvejledninger for slibemaskiner

- **Bær høreværn.** Udsættelse for støj kan medføre høretab.

### Tilbageværende risici

Der kan opstå yderligere, tilbageværende risici under brugen af apparatet, som muligvis ikke behandles i de vedlagte sikkerhedsadvarsler. Disse risici kan opstå pga. forkert anvendelse, langvarig brug etc.

Selv ved overholdelse af relevante sikkerhedsforskrifter og anvendelse af sikkerhedsudstyr kan visse resterende risici ikke undgås. Disse omfatter:

- Kvæstelser forårsaget af berøring af roterende/ bevægelige dele.
- Tilskadekomst forårsaget af udskiftning af dele, klinger eller tilbehør.
- Tilskadekomst forårsaget af langvarig brug af et apparat. Husk at holde pause jævnligt ved brug af et apparat i længere tid.
- Hørenedsættelse.
- Sundhedsrisici forårsaget af indånding af støv, der genereres ved brug af dit apparat (eksempel: arbejde med træ, især eg, bøg og MDF.)

### Andres sikkerhed

- Dette værktøj må ikke bruges af personer (herunder børn) med nedsatte fysiske, sensoriske eller mentale evner eller manglende erfaring og viden, medmindre det sker under overvågning, eller der gives instruktion i brugen af værktøjet af en person, der er ansvarlig for deres sikkerhed.
- Børn skal overvåges for at sikre, at de ikke leger med udstyret.

- Den tilsigtede anvendelse er beskrevet i denne betjeningsvejledning. Brug af ekstraudstyr eller tilbehør eller udførelse af andre opgaver med dette værktøj end de, der anbefales i denne vejledning, kan medføre risiko for personskade og/eller materiel skade.

### Vibration

De angivne værdier for udsendelse af vibration anført under de tekniske data og overensstemmelseserklæringen er målt i henhold til standardtestmetoden i EN62841 og kan bruges til at sammenligne ét værktøj med et andet. Den angivne vibrationsmissionsværdi kan også bruges i forbindelse med en foreløbig vurdering af eksponeringen.



**Advarsel!** Værdien for vibrationsemission ved faktisk brug af elværktøjet kan afvige fra den angivne værdi afhængig af måden, værktøjet anvendes på. Vibrationsniveauet kan overstige det angivne niveau.

I vurderingen af eksponeringen for vibration med henblik på fastsættelse af sikkerhedsforanstaltninger som krævet i 2002/44/EF til beskyttelse af personer, der jævnligt anvender elværktøj i deres arbejde, skal der tages hensyn til de faktiske betingelser under brugen, og måden værktøjet bruges på, herunder alle arbejdsfaserens afsnit, f.eks. perioder, hvor værktøjet er slukket, og hvor det kører i tomgang, tillige med startperioderne.

### Mærkatere på værktøjet

Værktøjet er forsynet med følgende advarselssymboler samt datokoden:



**Advarsel!** Brugeren skal læse brugervejledningen for at reducere risikoen for kvæstelser.

### Yderligere sikkerhedsvejledninger for batterier og ladere

#### Batterier

- Forsøg aldrig at åbne den af en eller anden grund.
- Udsæt ikke batteriet for vand.
- Opbevar ikke batterier på steder, hvor temperaturen kan overstige 40 °C.
- Foretag kun opladning ved omgivelsestemperaturer mellem 10 °C og 40 °C.
- Oplad kun ved hjælp af den medfølgende lader.
- Følg ved bortskaffelse af batterier vejledningen i afsnittet "Miljø".



Forsøg ikke at oplade beskadigede batterier.

#### Opladere

- Brug kun din lader til at oplade batteriet i det værktøj, som den blev leveret sammen med. Andre batterier kan eksplodere og forårsage kvæstelser og materielle skader.
- Forsøg aldrig at oplade ikke-genopladelige batterier.
- Udskift straks defekte ledninger.
- Opladeren må ikke udsættes for fugt.
- Opladeren må ikke åbnes.
- Undersøg ikke opladeren.



Opladeren er kun beregnet til indendørs brug.

### Elektricitet og sikkerhed



Laderen er dobbelt isoleret. Derfor er jordledning ikke nødvendig. Kontrollér altid, at strømforsyningen svarer til spændingen på mærkepladen.

- Hvis netledningen beskadiges, skal den udskiftes af producenten eller et autoriseret BLACK+DECKER-værktøjscenter, så farlige situationer undgås.

### Funktioner

Udstyret har nogle eller alle af de efterfølgende funktioner.

1. Håndtag
2. Afbryderkontakt
3. Slibepude
4. Batteri
5. Støvbeholder
6. Oplader

### Opladningsprocedure (Fig. A)

BLACK+DECKER opladere er designet til at oplade BLACK+DECKER batteripakker.

- Indsæt opladeren (6) i en passende udgang, før batteripakken indsættes (4).
- Indsæt batteripakken (4) i opladeren (6) som vist i figur A.
- Den grønne LED-lampe (6a) blinker for at vise, at batteriet oplades.
- Når opladningen er færdig, vil det blive angivet af den grønne LED (6a), som vil lyse konstant. Pakken er fuldt opladet og kan nu anvendes eller kan efterlades i opladeren.

**Bemærk:** Genoplad afladede batterier så hurtigt som muligt efter brug, da batteriets levetid ellers kan blive stærkt formindsket. For længste batterilevetid, aflad ikke batterierne helt. Opladning af batterierne efter hver brug anbefales.

### Lad batteriet blive siddende i opladeren

Du kan lade batteripakken (4) sidde i laderen (6) med tændt LED, så længe det ønskes. Opladeren holder batteripakken klar og fuldt opladet.

### Vigtige bemærkninger om opladning

- Den længste levetid og bedste ydeevne kan opnås, hvis batteripakken oplades, når lufttemperaturen er mellem 18°C og 24°C (65°F-75°F). Oplad IKKE batteripakken i en lufttemperatur under +4,5°C (+40°F) eller over +40,5°C (+105°F). Dette er vigtigt og vil forhindre alvorlig beskadigelse af batteripakken.
- Opladeren og batteripakken kan blive for varm at røre ved under opladning. Dette er normalt og angiver ikke et problem. For at lette køling af batteripakken efter brug, undgå at placere opladeren eller batteripakken i varme omgivelser, som f.eks. i et metalskur eller i en uisolert trailer.
- Hvis batteripakken ikke oplades ordentligt:
  - ♦ Kontrollér strømstikket ved at tilslutte en lampe eller et andet.

- ♦ Kontrollér for at se om kontakten er tilsluttet til en lyskontakt, som slår strømmen fra, når du slukker for lyset.
- ♦ Flyt opladeren og batteripakken til et sted, hvor den omgivende lufttemperatur er ca. 18°C - 24°C (65°F - 75°F).
- ♦ Hvis der stadig er opladningsproblemer, tag værktøjet, batteripakken og opladeren til dit lokale servicecenter.
- Batteripakken skal genoplades, når den ikke giver tilstrækkelig strøm til de opgaver, som tidligere let blev udført. FORTSÆT IKKE med at bruge den under disse forhold. Følg opladningsproceduren. Du kan også oplade en delvist brugt pakke, når du ønsker det uden nogen negativ indflydelse på batteripakken.
- Fremmede materialer af en ledende art som for eksempel, men ikke begrænset til stålud, aluminiumsfolie eller anden koncentration af metalliske partikler skal holdes på afstand af opladerens huller. Tag altid stikket til opladeren ud fra kontakten, når der ikke er indsat en batteripakke. Tag stikket til opladeren ud før forsøg på at rengøre den.
- Frys ikke eller nedsænk opladeren i vand eller andre væsker.



**Advarsel!** Lad ikke nogen flydende væsker komme ind i opladeren. Forsøg aldrig at åbne batteripakken. Hvis batteripakkens plastikhus får brud eller revner, returner det til et servicecenter til genbrug.

### Opladerdiagnostik (Fig. B)

Se indikatorerne i figur B for opladningsstatussen af batteripakken.

### Dårligt batteri

Hvis du ser et dårligt batteriblinkmønster, forsæt ikke med at oplade dette batteri. Returnér det til et servicecenter eller til et indsamlingssted til genbrug.

### Varm/kold pakkeforsinkelse

Når opladeren sporer en batteripakke, der er for varm eller for kold, starter den automatisk en varm/kold pakkeforsinkelse og indstiller opladningen, indtil batteripakken har nået en passende temperatur. Opladeren skifter derefter automatisk til pakkeopladningsfunktion. Denne funktion sikrer maksimal batteripakkelevetid. En kold batteripakke vil oplade med en lavere hastighed end en varm batteripakke. Pakken vil oplade ved den lavere hastighed gennem hele opladningscyklussen og vil ikke vende tilbage til maksimal opladningshastighed, selvom pakken varmer.

### Indsættelse og udtagning af batteripakken fra værktøjet

#### Sådan installeres batteripakken (Fig. C)

- Indsæt batteriet (4) i værktøjet, indtil der høres et klik (figur. C)
- Sørg for at batteripakken er helt skubbet ind og låst i position.

#### Sådan udtages batteripakken (Fig. D)

- Tryk batteriets udløserknap (7) ned som vist i figur D, og træk batteripakken (4) ud af værktøjet.



## Fastgørelse af krog og kredsslibeskiver (fig. E)

Brug BLACK+DECKER-tilbehør for at opnå de bedste resultater.

- Din slibemaskine er beregnet til brug med enten karbidsandpapir eller med almindeligt sandpapir med det 8-hullede støvudtrækningsmønster.
- For at fastgøre slibeskiven (8) skal du forsigtigt placere den over slibepuden (3), mens du sikrer dig, at hullerne i skiven er ud for hullerne i puden, og trykke skiven godt på plads.
- Krogen og slibeskiven med kredsfastgørelsessystemet kan nemt fjernes ved blot at trække den af. Den kan genbruges som ønsket.

## Anvendelse



**Advarsel!** Lad værktøjet arbejde i dets eget tempo. Det må ikke overbelastes.

## Sådan tændes og slukkes værktøjet

- Tænd værktøjet ved at holde afbryderkontakten (2) nede ved position "I".
- Sluk værktøjet ved at holde afbryderkontakten (2) nede ved position "O".

## Funktion

Tag fat i slibemaskinen, som vist i figur G, og tænd den. Bevæg den i lange, fejende strøg langs overfladen, og lad den gøre arbejdet. Hvis du presser værktøjet nedad under slibningen, sænkes fjernelseshastigheden faktisk og giver en overflade af ringere kvalitet. Kontrollér ofte dit arbejde. Slibemaskinen kan fjerne materiale hurtigt, især med groft papir.

## Støvsopsamling (Fig. H, I)



**Advarsel!** Indsamlet slibestøv fra slibeoverfladelag (polyuretan, linolie osv.) kan antænde sig selv i slibestøvposen eller andre steder og forårsage brand. For at reducere risikoen bør du tømme posen ofte og følge vejledningen til slibemaskinen samt instruktionerne fra producenten af laget omhyggeligt.

- For at sætte beholderen fast på slibemaskinen skal du flugte rillerne i beholderen (9) med knuderne (10) på støvporten.
- Skub beholderen hen på støvporten og drej beholderen med uret for at låse den fast, som vist på figur H.
- For at fjerne den skal du dreje beholderen mod uret og skubbe beholderen af.
- For at tømme beholderen skal du fjerne den fra støvporten og smide sliberesterne ind i en passende affaldskurv Figur I.

## Vedligeholdelse

Dit BLACK+DECKER-værktøj er beregnet til brug gennem lang tid med et minimum af vedligeholdelse. Vedvarende tilfredsstillende funktion er afhængig af, om apparatet plejes korrekt og rengøres regelmæssigt.

Opladeren kræver ingen vedligeholdelse, men skal rengøres jævnligt.



**Advarsel!** Tag batteriet ud af værktøjet, inden der foretages vedligeholdelse på værktøjet. Træk opladeren ud af stikkontakten, før den rengøres.

- Rens jævnligt værktøjets og laderens ventilationshuller med en blød børste eller en tør klud.
- Rengør med jævne mellemrum motorhuset med en fugtig klud. Der må ikke bruges skuremidler eller opløsningsmidler.

## Miljøbeskyttelse



Særskiit bortskaffelse. Produkter og batterier mærket med dette symbol må ikke bortskaffes sammen med normalt husholdningsaffald.

Produkter og batterier indeholder materialer, der kan genindvindes eller genanvendes, hvilket reducerer efterspørgslen efter råvarer. Genbrug venligst elektriske produkter og batterier i henhold til lokale bestemmelser. Yderligere informationer findes på [www.2helpU.com](http://www.2helpU.com)

## Tekniske data

| BDCROS18 H1                   |            |        |
|-------------------------------|------------|--------|
| Indgangsspænding              | $V_{DC}$   | 18     |
| Svingninger (uden belastning) | $min^{-1}$ | 12000  |
| Omløb (uden belastning)       | $min^{-1}$ | 12000  |
| Slibefodens overflade         | $mm^2$     | 12660  |
| Vægt                          | kg         | 0.9    |
| <b>Batteri</b>                |            |        |
| BL1518                        |            |        |
| Spænding                      | $V_{DC}$   | 18     |
| Kapacitet                     | Ah         | 1.5    |
| Type                          |            | H4     |
| <b>Oplader</b>                |            |        |
| SSC-250040X                   |            |        |
| Indgangsspænding              | $V_{AC}$   | 230    |
| Udgangsspænding               | $V_{DC}$   | 8 - 20 |
| Strømstyrke                   | mA         | 400    |

|   |
|---|
| $L_{pA}$ (lydtryk) 71,5 dB(A), usikkerhed (K) 3 dB(A)                             |
| $L_{WA}$ (lydeffekt) 82,5 dB(A), usikkerhed (K) 3 dB(A)                           |
| <b>Samlede værdier for vibration (triaksial vektorsum) i henhold til EN62841:</b> |
| Vibrations emissionsværdi ( $a_w$ ) 3,4 $m/s^2$ , usikkerhed (K) 1,5 $m/s^2$      |

**EF-overensstemmelseserklæring**

MASKINDIREKTIV



BDCROS18 Sliber

Black & Decker erklærer, at produkterne beskrevet under

“Tekniske data” er i overensstemmelse med:

EN62841-1:2015, EN62841-2-4:2014.

Disse produkter er endvidere i overensstemmelse med direktiv 2006/42/EF, 2014/30/EU og 2011/65/EU. Kontakt

Black & Decker på nedenstående adresse eller se vejledningens bagside for at få yderligere oplysninger.

Undertegnede er ansvarlig for kompilering af den tekniske fil og udsteder denne erklæring på vegne af

Black & Decker .

A. P. Smith

Teknisk direktør for konstruktioner

Black & Decker Europe, 270 Bath Road, Slough,

Berkshire, SL1 4DX, Storbritannien

30-04-2019

**Garanti**

Black & Decker er overbevist om den gode kvalitet af sine produkter og giver forbrugerne en garanti på 24 måneder fra købsdatoen. Garantien er et tillæg til forbrugerens lovmæssige rettigheder og påvirker ikke disse. Garantien er gyldig inden for medlemsstaterne af Den Europæiske Union og Det Europæiske Frihandelsområde.

Når du gør krav på garantien, skal kravet være i overensstemmelse med Black & Decker vilkår og betingelser, og du skal indsende dokumentation for købet til sælgeren eller til en autoriseret reparatør.

Vilkår og betingelser for Black & Decker 2 års garanti og placeringen af dit nærmeste autoriserede serviceværksted kan fås på internettet på [www.2helpU.com](http://www.2helpU.com), eller ved at kontakte dit lokale Black & Decker kontor på den adresse, der er angivet i denne vejledning.

Besøg venligst vores websted [www.blackanddecker.co.uk](http://www.blackanddecker.co.uk) for at registrere dit nye Black & Decker produkt og modtage opdateringer om nye produkter og specielle tilbud.

## Käyttötarkoitus

BLACK+DECKER BDCROS18-hiomakone on tarkoitettu puun, metallin ja muovien nopeaan hiomiseen yksityiskäytössä. Tämä työkalu on tarkoitettu vain yksityiskäyttöön.

## Turvallisuusohjeet

### Sähkötyökalujen yleiset turvavaroitukset



**Varoitua!** Lue kaikki tämän sähkötyökalun mukana toimitetut varoitukset, käyttöohjeet ja tekniset tiedot. Jos kaikkia ohjeita ei noudateta, on olemassa sähköiskun, tulipalon ja/tai vakavan henkilövahingon vaara.

### Säästä kaikki varoitukset ja ohjeet tulevaa käyttöä varten.

Jäljempänä olevissa varoituksissa käytetyllä käsitteellä "sähkötyökalu" tarkoitetaan verkkokäyttöisiä sähkötyökaluja (verkkojohdolla) ja akkukäyttöisiä sähkötyökaluja (ilman verkkojohtoa).

#### 1. Työalueen turvallisuus

- Pidä työskentelyalue puhtaana ja hyvin valaistuna.** Onnettomuuksia sattuu herkemmin epäsiistissä tai huonosti valaistussa ympäristössä.
- Älä käytä sähkötyökalua räjähdysalttiissa ympäristössä, jossa on palavaa nestettä, kaasua tai pölyä.** Sähkötyökalujen aiheuttamat kipinät voivat sytyttää pölyn tai kaasut.
- Pidä lapset ja sivulliset loitolla sähkötyökalua käyttäessäsi.** Keskittymiskyvyn herpaantuminen voi aiheuttaa hallinnan menettämisen.

#### 2. Sähköturvallisuus

- Sähkötyökalun pistokkeen on sovittava pistorasiaan. Älä koskaan tee pistokkeeseen mitään muutoksia. Älä yhdistä maadoitettua sähkötyökalua jatkojohtoon.** Sähköiskun vaara vähenee, jos pistokkeisiin ei tehdä muutoksia ja ne yhdistetään vain niille tarkoitettuihin pistorasioihin.
- Vältä koskettamasta maadoitettuja pintoja, kuten putkia, pattereita, liesiä tai jääkaappeja.** Voit saada sähköiskun, jos kehosi on maadoitettu.
- Älä altista sähkötyökalua sateelle tai kosteudelle.** Sähkötyökaluun menevä vesi lisää sähköiskun vaaraa.
- Älä käsittele virtajohtoa kovakouraisesti. Älä kannata työkaluja sähköjohdosta tai vedä pistoketta pistorasiasta sähköjohdon avulla.** Pidä sähköjohto kaukana kuumuudesta, öljystä, terävistä reunoista tai liikkuvista osista. Vaurioituneet tai sotkeutuneet johdot lisäävät sähköiskun vaaraa.
- Käyttäessäsi sähkötyökalua ulkona käytä ainoastaan ulkokäyttöön soveltuvaa jatkojohtoa.** Ulkokäyttöön tarkoitettun sähköjohdon käyttäminen vähentää sähköiskun vaaraa.
- Jos sähkötyökalua on välttämättä käytettävä kosteassa paikassa, käytä jännösvirtalaitteella (RCD) suojattua virtalähdettä.** Tämä vähentää sähköiskun vaaraa.

#### 3. Henkilöturvallisuus

- Keskity työskentelyysi ja noudata tervettä järkeä käyttäessäsi sähkötyökaluja. Älä käytä tätä työkalua ollessasi väsynyt tai alkoholin, huumeiden tai lääkkeiden vaikutuksen alaisena.** Keskittymisen herpaantuminen hetkeksikin sähkötyökalua käytettäessä voi aiheuttaa vakavan henkilövahingon.
- Käytä henkilökohtaisia suojavarusteita. Käytä aina suojalaseja.** Hengityssuojaimen, liukumattomien turvajalkineiden, kypärän ja kuulonsuojaimen käyttäminen vähentää henkilövahinkojen vaaraa.
- Vältä tahatonta käynnistämistä. Varmista, että kytkin on OFF-asennossa, ennen kuin liität laitteen virtalähteeseen ja/tai akkuun, nostat laitteen tai kannat sitä.** Sähkötyökalun kantaminen sormi virtakytkimellä lisää onnettomuusvaaraa.
- Irrota mahdollinen säätö- tai kiintoavain, ennen kuin käynnistät sähkötyökalun.** Sähkötyökalun pyöriivään osaan kiinni jäänyt avain voi johtaa loukkaantumiseen.
- Älä kurkota liian kauas. Huolehdi siitä, että sinulla on koko ajan tukeva jalansija ja hyvä tasapaino.** Näin voit hallita sähkötyökalua paremmin odottamattomissa tilanteissa.
- Käytä tarkoitukseen soveltuvia vaatteita. Älä käytä löysiä vaatteita tai koruja. Pidä hiukset ja vaatteet loitolla liikkuvista osista.** Löysät vaatteet, korut tai pitkät hiukset voivat tarttua liikkuviin osiin.
- Jos laitteeseen voi kiinnittää pölynkerääjän tai -imurin, tarkista, että se on paikallaan ja että se toimii kunnolla.** Pölyn ottaminen talteen voi vähentää pölyn aiheuttamia vaaroja.
- Vaikka käyttäisit usein työkaluja ja sinulla olisi niistä hyvä tuntemus, älä jätä lukematta työkalun turvallisuusohjeita.** Huolimattomuus voi johtaa vakaviin henkilövahinkoihin jopa sekunnin murto-osassa.

#### 4. Sähkötyökalujen käyttö ja hoito

- Älä ylikuormita sähkötyökalua. Valitse käyttötarkoituksen kannalta oikea sähkötyökalu.** Sähkötyökalu toimii paremmin ja turvallisemmin, kun sitä käytetään sille suunniteltuun käyttötarkoitukseen.
- Älä käytä sähkötyökalua, jota ei voida käynnistää ja pysäyttää virtakytkimestä.** Jos sähkötyökalua ei voi hallita kytkimen avulla, se on vaarallinen ja se on korjattava.
- Katkaise sähkötyökalusta virta ja irrota sen pistoke pistorasiasta tai irrota akku siitä ennen säätämistä, varusteiden vaihtamista tai sähkötyökalun asettamista säilytykseen.** Näin voit vähentää vahingossa käynnistymisen aiheuttaman henkilövahingon vaaraa.

- d. Säilytä sähkötyökalut poissa lasten ulottuvilta, kun niitä ei käytetä. Älä anna sähkötyökalua sellaisen henkilön käyttöön, joka ei tunne sitä tai joka ei ole tutustunut sähkötyökalun käyttöohjeeseen. Sähkötyökalut ovat vaarallisia kouluttamattomien käyttäjien käsissä.
- e. Hoida sähkötyökaluasi ja lisävarusteita huolella. Tarkista, että liikkuvat osat toimivat moitteettomasti ja etteivät ne ole puristuksessa. Tarkista myös, ettei työkalussa ei ole murtuneita tai vahingoittuneita osia, jotka saattaisivat vaikuttaa haitallisesti sen toimintaan. Jos havaitset vaurioita, korjauta sähkötyökalu ennen niiden käyttämistä. Huonosti kunnossapidetyt sähkötyökalut aiheuttavat onnettomuuksia.
- f. Pidä leikkauserät terävinä ja puhtaina. Kunnossa pidettyjen leikkaavia teräviä reunoja sisältävien työkalut todennäköisyys jumiutua vähenee, ja niitä on helpompi hallita.
- g. Käytä sähkötyökaluja, tarvikkeita, vaihtotyökaluja jne. näiden ohjeiden mukaisesti. Ota tällöin huomioon työolosuhteet ja suoritettava toimipide. Jos sähkötyökalua käytetään näiden ohjeiden vastaisesti, voi syntyä vaaratilanne.
- h. Pidä kahvat ja kädensijat kuivina ja puhtaina öljystä ja rasvasta. Liukkaat kahvat ja kädensijat estävät työkalun turvallisen käsittelyn ja hallinnan odottamattomissa tilanteissa.
5. Akkutyökalun käyttö ja huolto (koskee vain akkutyökaluja)
- a. Lataa vain valmistajan määrittämällä laturilla. Laturi, joka on sopiva yhden tyyppiselle akulle, voi aiheuttaa tulipalon vaaran, jos sitä käytetään toisen tyyppisellä akulla.
- b. Käytä sähkötyökalussa ainoastaan kyseiseen sähkötyökaluun tarkoitettua akkua. Muun tyyppisen akun käyttö saattaa johtaa loukkaantumiseen ja tulipaloon.
- c. Pidä irrallinen akku loitolla metalliesineistä, kuten paperiliittimistä, kolikoista, avaimista, nauloista, ruuveista tai muista pienistä metalliesineistä, jotka voivat aiheuttaa oikosulun akun navoissa. Kennon pinteiden oikosulku voi aiheuttaa palovammoja tai tulipalon.
- d. Väärin käytetystä akusta voi vuotaa nestettä. Älä kosketa sitä. Jos nesteen kanssa joutuu kosketuksiin, huuhtele vedellä. Jos nestettä joutuu silmiin, hakeudu lisäksi lääkärin hoitoon. Akusta roiskunut neste saattaa aiheuttaa ärsytyksiä tai palovammoja.
- e. Akkua tai työkalua ei saa käyttää, jos siinä on vaurioita tai sitä on muunneltu. Vaurioituneet tai muunnellut akut voivat johtaa odottamattomiin tilanteisiin ja vaarana ovat tulipalo, räjähdys ja henkilövahingot.
- f. Suojaa akku ja työkalu tulelta ja liian korkeilta lämpötiloilta. Se voi räjähtää yli 130 °C lämpötilassa. HUOMIO: Lämpötila "130 °C" voidaan korvata lämpötilalla "265 °F".
- g. Noudata kaikkia latausohjeita. Akkua tai työkalua ei saa ladata ohjeissa määritetyistä lämpötilavälistä poikkeavassa lämpötilassa. Jos akku ladataan virheellisesti tai määritetyistä lämpötilavälistä poikkeavassa lämpötilassa, seurauksena voi olla akun vaurioituminen ja tulipalovaara.
6. Huolto
- a. Korjata sähkötyökalu koulutetulla ja ammattitaitoisella henkilöllä ja hyväksy korjauksiin vain alkuperäisiä varaosia. Tämä varmistaa sähkötyökalun turvallisuuden.
- b. Älä koskaan huolla vaurioituneita akkua. Ainoastaan valmistaja tai valtuutetut huoltoliikkeet saavat huoltaa akkua (koskee vain akkutyökaluja).

### Hiomakoneiden lisäturväsääntöjä

- Pitele sähkötyökalua sen eristävästä tartuntapinnoista, sillä hiomanauha/hioma-alusta voi osua laitteen virtajohtoon. Työkalun kosketus jännitteisen johtimen kanssa voi tehdä myös työkalun paljaista metalliosista jännitteisiä ja aiheuttaa sähköiskun käyttäjälle.
- Käytä puristimia tai muuta käytännöllistä tapaa kiinnittää ja tukea työkappale tukevalle alustalle. Työkappaleen pitäminen käsin tai vartaloa vasten on epävakaata ja saattaa johtaa kontrollin menetykseen.
- Tarkoitettu käyttö on kuvattu tässä käyttöohjeessa. Käytä työkalua ainoastaan sellaiseen työhön, johon se on tarkoitettu, ja käytä vain tässä käyttöohjeessa suositeltuja tarvikkeita ja lisälaitteita. Ohjeesta poikkeava käyttö voi aiheuttaa henkilö- ja/tai omaisuusvahinkoja.



**VAROITUS:** Hiontatyöstä syntyvä pöly voi aiheuttaa terveyshaittoja käyttäjälle ja mahdollisille sivullisille. Pidä erityisesti myrkyllisiä pölyjä ja huujuja vastaan suunniteltua hengityssuojainta ja varmista, että työalueella työskentelevät ja työalueelle saapuvat ihmiset on myös suojattu.



**VAROITUS:** Käytä työkalua paikassa, jossa on kunnollinen ilmanvaihto, kun hiot rautapitoisia metalleja. Älä käytä työkalua helposti syttyvien nesteiden, kaasujen tai pölyn läheisyydessä. Hionnassa syntyvät kipinät tai kuumat hiukkaset sekä moottorissa syntyvät kipinät voivat sytyttää helposti syttyvän materiaalin.



**VAROITUS:** Älä käytä pölysuodattimen kasettia tai pölynpoistosovitinta esineiden säilyttämiseen.

## Maalin hiominen



**VAROITUS:** Noudata maalin hiontaan soveltuvia säädöksiä. Huomioi erityisesti seuraavat: Käytä pölynimulaitetta aina, kun se on mahdollista. Ole erityisen varovainen hioessasi lyijyä mahdollisesti sisältäviä maalipintoja: Älä anna lasten tai raskaana olevien naisten olla työalueella. Kaikkien työalueelle tulevien henkilöiden on käytettävä kasvosuojusta, joka on erityisesti tarkoitettu suojaamaan lyijypitoisen maalin tuottamalla pölyltä ja kaasulta. Älä syö, juo tai tupakoi työalueella. Hävitä pöly ja muu hiontajäte ympäristöstävällisesti.



**VAROITUS:** Suosittelemme käyttämään jännösvirtalaitetta, jonka nimellisjännösvirta on korkeintaan 30 mA.

## Hiomakoneen lisäturvaohteet

- Käytä kuulonsuojaimia. Melulle altistuminen voi aiheuttaa kuulon menetyksen.

## Jännönsriskit

Myös muut kuin turvavaroituksissa mainitut riskit ovat mahdollisia laitetta käytettäessä. Nämä riskit voivat liittyä muun muassa virheelliseen tai pitkäaikaiseen käyttöön. Tiettyjä jännönsriskejä ei voi välttää, vaikka noudatetaan kaikkia turvamääräyksiä ja käytät turvalaitteita. Nämä ovat:

- Pyörivien tai liikkuvien osien koskettamisen aiheuttamat vahingot.
- Osia, teriä tai lisävarusteita vaihdettaessa aiheutuneet vahingot.
- Työkalun pitkäaikaisen käytön aiheuttamat vahingot. Varmista, että pidät säännöllisesti taukoja laitteen pitkäaikaisen käytön aikana.
- Kuulon heikkeneminen.
- Työkalua käytettäessä (esimerkiksi puuta, erityisesti tammea, pyökkiä ja MDF-levyjä käsiteltäessä) syntyneen pölyn sisäinhengityksen aiheuttamat terveysriskit.

## Muiden henkilöiden turvallisuus

- Tätä työkalua ei ole tarkoitettu sellaisten henkilöiden käyttöön, joilla on fyysisiä tai älyllisiä rajoitteita tai aistirajoitteita, eikä laitteen toimintaan perehtymättömien henkilöiden käyttöön (lapset mukaan luettuina), paitsi valvonnan alaisina, tai jos he ovat saaneet työkalun käyttöön liittyvää opastusta heidän turvallisuudestaan vastaavalta henkilöltä.
- Lapsia tulee valvoa ja varmistaa, että he eivät leiki laitteella.
- Tarkoitettu käyttö on kuvattu tässä käyttöohjeessa. Käytä työkalua ainoastaan sellaiseen työhön, johon se on tarkoitettu, ja käytä vain tässä käyttöohjeessa suositeltuja tarvikkeita ja lisälaitteita. Ohjeesta poikkeava käyttö voi aiheuttaa henkilö- ja/tai omaisuusvahinkoja.

## Tärinä

Teknisissä tiedoissa ja vaatimustenmukaisuusvakuutuksessa ilmoitettu tärinäpäästöarvo on mitattu EN62841-standardin testausmenetelmän mukaisesti, ja arvoa voi käyttää työkalujen keskinäiseen vertailuun. Ilmoitettua tärinäpäästöarvoa voi käyttää myös altistumisen alustavaan arviointiin.



**Varoitus!** Sähkötyökalun käytön aikana mitattu todellinen tärinäpäästöarvo voi poiketa ilmoitetusta tärinäpäästöarvosta työkalun käyttötavan mukaan. Tärinätasoa voi olla ilmoitettua tasoa suurempi.

Kun tärinälle altistumista arvioidaan sen määrittämiseksi, mitä direktiivin 2002/44/EY mukaisia turvatoimenpiteitä vaaditaan sähkötyökaluja säännöllisesti käyttävien henkilöiden suojelemiseksi, tärinälle altistumisen arvioinnissa on otettava huomioon todelliset käyttöolosuhteet ja työkalun käyttötavat. Todellisen käytön lisäksi on kiinnitettävä huomiota myös siihen, milloin työkalu on sammutettuna tai se käy tyhjäkäynnillä.

## Työkalun tarrat

Työkaluun on merkitty päivämääräkoodi sekä seuraavat varoitusmerkinnät:



**Varoitus!** Käyttäjän on luettava käyttöohje vahinkojen välttämiseksi.

## Akkuja ja laturia koskevat lisäturvaohteet

### Akut

- Älä koskaan yritä avata mistään syystä.
- Älä anna akun kastua.
- Älä säilytä akkuja tiloissa, joissa lämpötila voi nousta yli 40 °C:een.
- Lataa akku paikassa, jonka lämpötila on vähintään 10 °C ja enintään 40 °C.
- Lataa akku ainoastaan työkalun mukana toimitetulla laturilla.
- Noudata akkuja hävittäessäsi kohdassa "Ympäristönsuojelu" annettuja ohjeita.



Älä koskaan yritä ladata viallisia akkuja.

### Laturit

- Käytä laturia vain laitteen mukana toimitetun akun lataamiseen. Muut akut voivat räjähtää ja aiheuttaa henkilövahinkoja tai aineellisia vahinkoja.
- Älä koskaan yritä ladata akkuja, joita ei ole tarkoitettu ladattavaksi.
- Vaihda vialliset johdot välittömästi ehjin.
- Älä altista laturia vedelle.
- Älä avaa laturia.
- Älä työnnä mitään laturin sisään.



Laturi on tarkoitettu ainoastaan sisäkäyttöön.

## Sähköturvallisuus



Tämä laturi on kaksoeristetty, joten erillistä maadoitusta ei tarvita. Tarkista aina, että verkkovirran jännite vastaa tyyppikilpeen merkittyä jännitettä.

- Jos virtajohto vahingoittuu, sen vaihtaminen on turvallisuussyistä jätettävä valmistajan tai valtuutetun BLACK+DECKER-huollon tehtäväksi.

## Yleiskuvaus

Tässä laitteessa on joitakin tai kaikki seuraavista ominaisuuksista.

1. Kahva
2. Virtakytkin
3. Hioma-alusta
4. Akku
5. Pölysäiliö
6. Laturi

## Lataaminen (kuva A)

BLACK+DECKER-laturit on tarkoitettu BLACK+DECKER-akkujen lataamiseen.

- Yhdistä laturi (6) sopivaan pistorasiaan ennen kuin laitat siihen akun (4).
- Aseta akku (4) laturiin (6) kuvan A mukaisesti.
- Vihreä LED-merkkivalo (6a) vilkkuu käynnissä olevan latauksen merkiksi.
- Kun lataus on valmis, vihreä LED-valo (6a) jää palamaan jatkuvasti. Akku on täysin ladattu ja sitä voidaan käyttää heti tai sen voi jättää laturiin.

**Huomautus:** Lataa tyhjennetyt akut mahdollisimman pian käytön jälkeen, muutoin akun käyttöikä voi lyhentyä. Vältä akkuvirran purkautumista kokonaan loppuun akun käyttöiän maksimoimiseksi. Suosittelemme akkujen lataamista jokaisen käyttökerran jälkeen.

## Akun jättäminen laturiin

Akku (4) voidaan jättää laturiin (6), kun LED-merkkivalo palaa. Laturi pitää akun käyttövalmiina ja ladattuna.

## Tärkeitä huomautuksia lataamiseen

- Pisin käyttöikä ja paras suorituskyky saavutetaan, kun akku ladataan lämpötilassa 18 °C - 24 °C (65 °F - 75 °F). ÄLÄ lataa akkuja alle +4,5 °C (+40 °F) tai yli +40,5 °C (+105 °F) lämpötilassa. Tämä on tärkeää ja se estää akun vakavat vauriot.
- Laturi ja akku voivat kuumetua latauksen aikana. Tämä on normaalia, eikä ole osoitus ongelmasta. Jotta akku jäähtyisi käytön jälkeen, vältä asettamista laturia tai akkuja lämpimään ympäristöön, kuten metallikoteloon tai eristämättömän perävaunun päälle.
- Jos akku ei lataudu oikein:
  - ◆ Tarkista pistorasian sähkövirta kytkemällä siihen lamppu tai jokin muu laite.
  - ◆ Tarkista valojen sammuttamisen yhteydessä virran katkaisevaa valokytintä liitetty pistorasiaan.
  - ◆ Siirrä laturi ja akku paikkaan, jossa ympäristölämpötila on noin 18 °C - 24 °C (65 °F - 75 °F).

- ◆ Jos latausongelmat jatkuvat, vie työkalu akun ja laturin ohella paikalliseen huoltopalveluun.
- Akku täytyy ladata uudelleen, kun se ei enää tuota riittävästi tehoa töissä, joka voitiin aikaisemmin tehdä helposti. ÄLÄ JATKA TYÖKALUN KÄYTTÖÄ näissä olosuhteissa. Noudata latausohjeita. Voit halutessasi myös ladata osittain käytetyn akun milloin tahansa, ilman että siitä olisi haittaa akulle.
- Vieraat johtavat aineet, kuten teräsilla, alumiinifolio tai metallihiukkaskertymät, niihin kuitenkin rajoittumatta, on pidettävä poissa laturin aukoista. Irrota laturi aina tehonsyötöstä, kun laturissa ei ole akkuja. Irrota laturi tehonsyötöstä ennen kuin yrität puhdistaa sitä.
- Älä pakasta tai upota laturia veteen tai muihin nesteisiin.



**Varoitus!** Älä päästä nestettä laturin sisään. Älä koskaan yritä avata akkuyksikköä mistään syystä. Jos akun muovikotelo rikkoutuu tai halkeaa, palauta se huoltopalveluun kierrätystä varten.

## Laturin vianmääritys (kuva B)

Katso akun lataustaso kuvan B merkinnoista.

## Viallinen akku

Jos näet heikosta akun kunnosta ilmoittavan vilkkumisen, lopeta akun lataus. Vie se huoltopalveluun tai kierrätyspisteeseen.

## Akun kuuma-/kylmäviive

Kun laturi tunnistaa liian kuuman tai kylmän akun, se käynnistää automaattisesti akun kuuma-/kylmäviiveen, jolloin lataus käynnistyy vasta sitten, kun akku on saavuttanut hyväksyttävän lämpötilan. Laturi siirtyy tämän jälkeen automaattisesti akun lataustilaan. Tämä toiminto takaa akun maksimaalisen käyttöiän. Kylmä akku latautuu hitaammin kuin lämmin akku. Akku latautuu hitaammin koko latausjakson ajan, sen latautumisnopeus ei palaudu nopeaksi, vaikka akku lämpenisi.

## Akun asentaminen ja poistaminen työkalusta

### Akun asentaminen (kuva C)

- Aseta akku (4) työkaluun, kunnes kuulet napsahduksen (kuva C)
- Varmista, että akku on kokonaan paikoillaan ja lukittu paikoilleen.

### Akun poistaminen (kuva D)

- Paina akun vapautuspainiketta (7) kuvan D mukaisesti ja vedä akku (4) irti työkalusta.

## Hiomalaikkojen kiinnittäminen koukun ja silmukan avulla (kuva E)

Käytä BLACK+DECKER-lisävarusteita parhaan tuloksen saavuttamiseksi.

- Tämä hiomakone on tarkoitettu käytettäväksi joko verkkokuvioisella karbidihiekkapaperilla tai tavallisella hiekkapaperilla, jossa on 8-reikäinen pölynpoistokuvio.
- Kiinnitä hiomalaikka (8) keskittämällä se varoen hioma-alustaan (3) varmistuen, että laikan reiät kohdistuvat laikassa oleviin reikiin. Paina laikka hyvin paikoilleen.

- Hiomalaikan koukku/silmukka-kiinnitysjärjestelmä voidaan poistaa helposti vetämällä se irti. Sitä voidaan käyttää tarvittaessa uudelleen.

## Käyttö



**Varoitus!** Anna työkalun käydä omaan tahtiinsa. Älä ylikuormita sitä.

## Käynnistäminen ja sammuttaminen

- Käynnistä työkalu painamalla virtakytkin (2) etuasentoon "I".
- Sammuta työkalu painamalla virtakytkin (2) taka-asentoon "O".

## Käyttö

Tartu hiomakoneeseen kuvan G mukaisesti ja kytke se päälle (ON). Liikuta sitä pitkin pyyhkivien liikkein pintaa vasten niin, että kone suorittaa toimenpiteen tehokkaasti. Jos konetta painetaan alaspäin hiomisen aikana, poistonopeus hidastuu ja lopputuloksen laatu on heikompi. Tarkista työstökappale usein. Hiomakone poistaa materiaalin nopeasti erityisesti karheaa paperia käytäessä.

## Pölyn keräys (kuvat H, I)



**Varoitus!** Hiotusta pinnasta kerätty pöly (polyuretaani, pellavansiemenöljy, jne.) voi syttyä itsestään hiomakoneen pölypussissa tai muualla ja aiheuttaa tulipalon. Vaaran välttämiseksi pussi on tyhjennettävä usein ja hiomakoneen sekä pinnoitteen valmistajan ohjeita on noudatettava.

- Liitä säiliö hiomakoneeseen kohdistamalla säiliön (9) urat pölyportin nuppeihin (10).
- Liu'uta säiliö pölyporttiin ja kierrä säiliötä myötöpäivään sen lukitsemiseksi paikoilleen kuvan H mukaisesti.
- Poista säiliö kiertämällä sitä vastapäivään ja liu'uttamalla se irti.
- Tyhjennä säiliö poistamalla se pölyportista ja tyhjentämällä hiomapöly asianmukaiseen roska-astiaan (kuva I).

## Huolto

BLACK+DECKER-työkalu on suunniteltu toimimaan mahdollisimman pitkän aikaa mahdollisimman vähällä huollolla. Oikea käsittely ja säännöllinen puhdistus varmistavat laitteen ongelmattoman toiminnan.

Laturi ei tarvitse säännöllisen puhdistamisen lisäksi mitään muuta huoltoa.



**Varoitus!** Poista akku ennen työkalun huoltamista. Irrota laturi pistorasiasta ennen laturin puhdistamista.

- Puhdista sahan ja laturin ilma-aukot säännöllisesti pehmeällä harjalla tai kuivalla kangasliinalla.
- Puhdista moottorikotelo säännöllisesti kostealla liinalla. Älä käytä hankaavia tai liuotinpohjaisia puhdistusaineita.

## Ympäristönsuojelu



Toimita tämä laite erilliskeräykseen. Tällä symbolilla merkityt tuotteita ja akkuja ei saa hävittää tavallisen kotitalousjätteen mukana.

Tuotteissa ja akkuissa on materiaaleja, jotka voidaan ottaa talteen tai kierrättää uudelleen käyttöä varten. Kierrätä sähkölaitteet ja akut paikallisten määräyksen mukaan.

Lisätietoa on saatavilla osoitteessa [www.2helpU.com](http://www.2helpU.com)

## Tekniset tiedot

| BDCROS18 H1                |                   |                    |
|----------------------------|-------------------|--------------------|
| Syöttöjännite              | V <sub>DC</sub>   | 18                 |
| Värähtelyt (ilman kuormaa) | min <sup>-1</sup> | 12000              |
| Kierrokset (ilman kuormaa) | min <sup>-1</sup> | 12000              |
| Hioma-alustan pinta        | mm <sup>2</sup>   | 12660              |
| Paino                      | kg                | 0,9                |
| <b>Akku</b>                |                   | <b>BL1518</b>      |
| Jännite                    | V <sub>DC</sub>   | 18                 |
| Teho                       | Ah                | 1,5                |
| Tyyppi                     |                   | H4                 |
| <b>Laturi</b>              |                   | <b>SSC-250040X</b> |
| Syöttöjännite              | V <sub>AC</sub>   | 230                |
| Lähtöjännite               | V <sub>DC</sub>   | 8 - 20             |
| Virta                      | mA                | 400                |

|   |
|---|
| L <sub>pa</sub> (äänenpaine) 71,5 dB(A), epävarmuus (K) 3 dB(A)                               |
| L <sub>vra</sub> (äänitehotaso) 82,5 dB(A), epävarmuus (K) 3 dB(A)                            |
| Tärinän kokonaisarvot (vektorisumma), määritetty standardin EN62841 mukaisesti:               |
| Tärinäpäästöarvo (a <sub>w</sub> ) 3,4 m/s <sup>2</sup> , epävarmuus (K) 1,5 m/s <sup>2</sup> |

**EY-vaatimustenmukaisuusvakuutus**

KONEDIREKTIIVI



BDCROS18 Hiomakone

Black & Decker ilmoittaa, että Tekniset tiedot -kohdassa kuvatut tuotteet täyttävät seuraavien direktiivien vaatimukset: EN62841-1:2015, EN62841-2-4:2014.

Nämä tuotteet täyttävät myös direktiivien 2006/42/EY, 2014/30/EY ja 2011/65/EY vaatimukset. Lisätietoja saa ottamalla yhteyden Black & Deckeriin seuraavassa osoitteessa. Tiedot ovat myös käyttöohjeen takakannessa.

Allekirjoittaja vastaa teknisistä tiedoista ja antaa tämän vakuutuksen seuraavan yhtiön puolesta:

Black &amp; Decker .

A. P. Smith

Teknisen osaston johtaja

Black & Decker Europe, 270 Bath Road, Slough,  
Berkshire, SL1 4DX, Iso-Britannia

30.4.2019

**Takuu**

Black & Decker on vakuuttanut tuotteidensa korkeasta laadusta ja tarjoaa kuluttajille 24 kuukauden takuun, joka astuu voimaan ostopäivänä. Takuu on lisäys kuluttajan laillisiin oikeuksiin eikä vaikuta niihin. Tämä takuu on voimassa kaikissa EU- ja ETA-maissa.

Edellytyksenä takuun saamiselle on, että vaade täyttää Black & Deckerin ehdot ja että ostaja toimittaa ostotositteen jälleenmyyjälle tai valtuutetulle huoltoliikkeelle.

Black & Deckerin 2 vuoden takuun ehdot ja lähimmän valtuutetun korjauspalvelun yhteystiedot ovat saatavilla osoitteessa [www.2helpU.com](http://www.2helpU.com) tai ottamalla yhteyttä paikalliseen Black & Deckerin toimipisteeseen tässä ohjekirjassa ilmoitettuihin osoitteisiin.

Käy verkkosivuiltamme osoitteessa [www.blackanddecker.co.uk](http://www.blackanddecker.co.uk) ja rekisteröi uusi Black & Decker -tuotteesi saadaksesi tietoa uusista tuotteista ja erikoistarjouksista.



## Προβλεπόμενη χρήση

Το τριβείο σας BLACK+DECKER BDCROS18 έχει σχεδιαστεί για γρήγορο γυαλοχάρτισμα ξύλου, μετάλλου και πλαστικών σε ερασιτεχνικό περιβάλλον. Αυτό το εργαλείο προορίζεται μόνο για ερασιτεχνική χρήση.

## Οδηγίες ασφαλείας

### Γενικές προειδοποιήσεις ασφαλείας για ηλεκτρικά εργαλεία



**Προειδοποίηση!** Διαβάστε όλες τις προειδοποιήσεις ασφαλείας, τις οδηγίες, τις απεικονίσεις και τις προδιαγραφές που συνοδεύουν αυτό το ηλεκτρικό εργαλείο.

Η μη τήρηση οποιασδήποτε από τις οδηγίες που αναφέρονται πιο κάτω μπορεί να έχει ως αποτέλεσμα ηλεκτροπληξία, πυρκαγιά και/ή σοβαρό τραυματισμό.

**Φυλάξτε όλες τις προειδοποιήσεις και τις οδηγίες για μελλοντική αναφορά.** Ο όρος "ηλεκτρικό εργαλείο" που χρησιμοποιείται σε όλες τις παρακάτω προειδοποιήσεις, αναφέρεται είτε σε εργαλείο που λειτουργεί με ρεύμα δικτύου (ρεύματος - με καλώδιο) είτε σε εργαλείο που λειτουργεί με μπαταρία (μπαταρίας - χωρίς καλώδιο).

#### 1. Ασφάλεια χώρου εργασίας

**α) Διατηρείτε την περιοχή εργασίας καθαρή και καλά φωτισμένη.** Οι ατακτοποιητοί ή σκοτεινοί χώροι γίνονται αιτίες ατυχημάτων.

**β) Μη χρησιμοποιείτε ηλεκτρικά εργαλεία σε περιβάλλον όπου υπάρχει κίνδυνος έκρηξης, π.χ. παρουσία εύφλεκτων υγρών, αερίων ή σκόνης.** Τα ηλεκτρικά εργαλεία παράγουν σπινθήρες που μπορεί να προκαλέσουν ανάφλεξη της σκόνης ή των αναθυμιάσεων.

**γ) Όταν χρησιμοποιείτε ηλεκτρικό εργαλείο κρατάτε μακριά παιδιά και τυχόν άλλα παρευρισκόμενα άτομα.** Παράγοντες που αποσπούν την προσοχή μπορεί να σας κάνουν να χάσετε τον έλεγχο.

#### 2. Ασφαλής χρήση ηλεκτρικού ρεύματος

**α) Το φως του καλωδίου του ηλεκτρικού εργαλείου πρέπει να ταιριάζει στην αντίστοιχη πρίζα. Σε καμία περίπτωση μην τροποποιήσετε το φως, με κανένα τρόπο. Μη χρησιμοποιείτε φως προσαρμογής με γειωμένα ηλεκτρικά εργαλεία.** Τα φως που δεν έχουν υποστεί τροποποιήσεις και οι κατάλληλες πρίζες μειώνουν τον κίνδυνο ηλεκτροπληξίας.

**β) Αποφύγετε την επαφή του σώματος με γειωμένες επιφάνειες όπως σωλήνες, σώματα καλοριφέρ, κουζίνες και ψυγεία.** Υπάρχει αυξημένος κίνδυνος ηλεκτροπληξίας αν το σώμα σας είναι γειωμένο.

**γ) Μην εκθέτετε τα ηλεκτρικά εργαλεία σε βροχή ή υγρασία.** Η διείσδυση νερού σε ένα ηλεκτρικό εργαλείο αυξάνει τον κίνδυνο ηλεκτροπληξίας.

**δ) Μην κακομεταχειρίζεστε το καλώδιο. Ποτέ μη χρησιμοποιήσετε το καλώδιο για να μεταφέρετε, να τραβήξετε ή να αποσυνδέσετε από την πρίζα το ηλεκτρικό εργαλείο. Κρατάτε το καλώδιο μακριά από θερμότητα, λάδια, αιχμηρά άκρα ή κινούμενα μέρη.** Τα καλώδια που έχουν υποστεί ζημιά ή είναι μπερδεμένα αυξάνουν τον κίνδυνο ηλεκτροπληξίας.

**ε) Όταν χρησιμοποιείτε το ηλεκτρικό εργαλείο σε εξωτερικούς χώρους, να χρησιμοποιείτε πάντοτε καλώδια επέκτασης κατάλληλα για χρήση σε εξωτερικούς χώρους.** Η χρήση καλωδίου κατάλληλου για εργασία σε εξωτερικούς χώρους μειώνει τον κίνδυνο ηλεκτροπληξίας.

**ζ) Εάν είναι αναπόφευκτη η χρήση ηλεκτρικού εργαλείου σε υγρή τοποθεσία, χρησιμοποιήστε μια Διάταξη προστασίας ρεύματος διαρροής (RCD).** Η χρήση μιας διάταξης RCD μειώνει τον κίνδυνο ηλεκτροπληξίας.

#### 3. Προσωπική ασφάλεια

**α) Όταν χρησιμοποιείτε ηλεκτρικό εργαλείο, να είστε προσεκτικοί, να δίνετε προσοχή στην εργασία που κάνετε και να επιστρατεύετε την κοινή λογική. Μη χρησιμοποιείτε ηλεκτρικό εργαλείο όταν είστε κουρασμένος/η ή υπό την επήρεια ναρκωτικών, οινοπνεύματος ή φαρμακευτικής αγωγής.** Μια στιγμή απροσεξίας κατά τη χρήση ηλεκτρικών εργαλείων μπορεί να προκαλέσει σοβαρό τραυματισμό.

**β) Χρησιμοποιείτε εξοπλισμό ατομικής προστασίας. Πάντα φοράτε προστασία ματιών.** Ο εξοπλισμός προστασίας, όπως μάσκα κατά της σκόνης, αντιολισθητικά παπούτσια ασφαλείας, κράνος ή προστασία ακοής, όταν χρησιμοποιείται για τις κατάλληλες συνθήκες, θα μειώσει τους τραυματισμούς και τις σωματικές βλάβες.

**γ) Εμποδίστε την ακούσια ενεργοποίηση του εργαλείου. Βεβαιωθείτε ότι ο διακόπτης βρίσκεται στη θέση απενεργοποίησης, πριν συνδέσετε το εργαλείο στην πηγή ρεύματος και/ή τοποθετήσετε το πακέτο μπαταρίας, καθώς και πριν πάρετε στα χέρια σας ή μεταφέρετε το εργαλείο.** Η μεταφορά ηλεκτρικών εργαλείων με το δάχτυλο πάνω στο διακόπτη ή η σύνδεση στο ρεύμα ηλεκτρικών εργαλείων με το διακόπτη στη θέση ενεργοποίησης, ενέχει κινδύνους ατυχημάτων.

**δ) Πριν θέσετε το ηλεκτρικό εργαλείο σε λειτουργία, αφαιρέστε τυχόν εργαλεία ή κλειδιά ρύθμισης.** Εάν αφήσετε ένα εργαλείο ή κλειδί πάνω σε κάποιο περιστρεφόμενο εξάρτημα του ηλεκτρικού εργαλείου, μπορεί να προκληθούν τραυματισμοί.

**ε) Μην τεντώνετε υπερβολικά. Διατηρείτε πάντα σταθερή στήριξη στα πόδια σας και καλή ισορροπία.** Έτσι μπορείτε να έχετε καλύτερο έλεγχο του ηλεκτρικού εργαλείου σε μη αναμενόμενες καταστάσεις.

- ζ) Να είστε ενδεδυμένοι κατάλληλα. Μη φοράτε φορδιά ρούχα ούτε κοσμήματα. Κρατάτε τα μαλλιά και τα ρούχα σας μακριά από κινούμενα μέρη. Τα φορδιά ρούχα, τα κοσμήματα και τα μακριά μαλλιά μπορούν να πιαστούν σε κινούμενα μέρη.
- η) Αν παρέχονται διατάξεις για τη σύνδεση εξοπλισμού απομάκρυνσης και συλλογής της σκόνης, να βεβαιώνετε ότι αυτές έχουν συνδεθεί και χρησιμοποιούνται σωστά. Η χρήση διατάξεων συλλογής της σκόνης μπορεί να μειώσει τους κινδύνους που προέρχονται από τη σκόνη.
- θ) Μην αφήνετε την εξοικείωση που έχετε αποκτήσει από τη συχνή χρήση εργαλείων να σας επιτρέψει να εφησυχάσετε ώστε να αγνοείτε τις αρχές ασφαλούς χρήσης των εργαλείων. Μια απρόσεκτη ενέργεια μπορεί να προκαλέσει βαρύ τραυματισμό μέσα σε κλάσματα του δευτερολέπτου.
4. Χρήση και φροντίδα ηλεκτρικών εργαλείων
- α) Μην υπερφορτώνετε το ηλεκτρικό εργαλείο. Χρησιμοποιείτε το σωστό ηλεκτρικό εργαλείο για την εφαρμογή σας. Το σωστό ηλεκτρικό εργαλείο θα εκτελέσει την εργασία καλύτερα και ασφαλέστερα, με την ένταση χρήσης για την οποία σχεδιάστηκε.
- β) Μη χρησιμοποιείτε το ηλεκτρικό εργαλείο αν ο διακόπτης του δεν το ενεργοποιεί και απενεργοποιεί. Οποιοδήποτε ηλεκτρικό εργαλείο του οποίου η λειτουργία δεν μπορεί να ελεγχθεί με το διακόπτη είναι επικίνδυνο και πρέπει να επισκευαστεί.
- γ) Αποσυνδέστε το φως από την πηγή ρεύματος και/ή αφαιρέστε το πακέτο μπαταρίας, αν είναι αποσπώμενο, από το ηλεκτρικό εργαλείο πριν πραγματοποιήσετε οποιοδήποτε ρυθμίσεις, αλλάξετε αξεσουάρ ή αποθηκεύσετε ηλεκτρικά εργαλεία. Τέτοια προληπτικά μέτρα ασφαλείας μειώνουν το κίνδυνο αθέλητης εκκίνησης του ηλεκτρικού εργαλείου.
- δ) Να φυλάσσετε μακριά από παιδιά τα ηλεκτρικά εργαλεία που δεν χρησιμοποιείτε και μην αφήνετε να χρησιμοποιήσουν ηλεκτρικό εργαλείο άτομα που δεν είναι εξοικειωμένα με αυτό ή άτομα που δεν έχουν διαβάσει αυτές τις οδηγίες χρήσης. Τα ηλεκτρικά εργαλεία είναι επικίνδυνα στα χέρια μη εκπαιδευμένων χρηστών.
- ε) Συντηρείτε τα ηλεκτρικά εργαλεία και τα αξεσουάρ. Ελέγχετε για προβλήματα ευθυγράμμισης ή για μάγκωμα των κινούμενων εξαρτημάτων, θραύση εξαρτημάτων, καθώς και για οποιοδήποτε άλλο πρόβλημα μπορεί να επηρεάσει τη λειτουργία των ηλεκτρικών εργαλείων. Αν το ηλεκτρικό εργαλείο έχει υποστεί ζημιά, φροντίστε να επισκευαστεί πριν το χρησιμοποιήσετε. Η ανεπαρκής συντήρηση των ηλεκτρικών εργαλείων αποτελεί αιτία πολλών ατυχημάτων.
- ζ) Διατηρείτε τα κοπτικά εργαλεία κοφτερά και καθαρά. Τα κοπτικά εργαλεία με κοφτερές κοπτικές αιχμές που συντηρούνται σωστά έχουν λιγότερες πιθανότητες να μαγκώσουν και ελέγχονται ευκολότερα.
- η) Να χρησιμοποιείτε τα ηλεκτρικά εργαλεία, τα αξεσουάρ, τις μύτες εργαλείων κλπ. σύμφωνα με τις παρούσες οδηγίες, λαμβάνοντας υπόψη σας τις συνθήκες εργασίας και την εργασία που θέλετε να εκτελέσετε. Η χρήση του ηλεκτρικού εργαλείου για εργασίες διαφορετικές από τις προβλεπόμενες θα μπορούσε να οδηγήσει σε επικίνδυνη κατάσταση.
- θ) Διατηρείτε τις λαβές και τις επιφάνειες κρατήματος στεγνές, καθαρές και απαλλαγμένες από λάδι και γράσο. Οι ολισθηρές λαβές και επιφάνειες κρατήματος δεν επιτρέπουν τον ασφαλή χειρισμό και έλεγχο του εργαλείου σε μη αναμενόμενες καταστάσεις.
5. Χρήση και φροντίδα εργαλείων μπαταρίας (χρησιμοποιείται μόνο για εργαλεία μπαταρίας)
- α) Να επαναφορτίζετε μόνο με το φορτιστή που καθορίζει ο κατασκευαστής. Ένας φορτιστής που είναι κατάλληλος για ένα τύπο πακέτου μπαταρίας μπορεί να δημιουργήσει κίνδυνο πυρκαγιάς όταν χρησιμοποιείται με άλλο πακέτο μπαταρίας.
- β) Χρησιμοποιείτε τα ηλεκτρικά εργαλεία αποκλειστικά και μόνο με τις καθοριζόμενες μπαταρίες. Η χρήση άλλων πακέτων μπαταρίας μπορεί να προκαλέσει κίνδυνο τραυματισμού και πυρκαγιάς.
- γ) Όταν η μπαταρία δε χρησιμοποιείται, μην την ψηλιάζετε σε μεταλλικά αντικείμενα, όπως συνδετήρες, κέρματα, κλειδιά, καρφιά, βίδες ή άλλα μικρά μεταλλικά αντικείμενα που μπορούν να βραχυκυκλώσουν τους δύο ακροδέκτες της. Αν βραχυκυκλωθούν οι ακροδέκτες της μπαταρίας, μπορεί να προκληθούν εγκαύματα ή πυρκαγιά.
- δ) Αν οι μπαταρίες υποστούν κακομεταχείριση, μπορεί να διαρρεύσει υγρό. Αποφύγετε την επαφή. Αν κατά λάθος έρθετε σε επαφή, ξεπλύνετε με νερό. Σε περίπτωση που το υγρό έλθει σε επαφή με τα μάτια σας, ζητήστε επιπλέον και ιατρική βοήθεια. Το υγρό που εξέρχεται από την μπαταρία μπορεί να προκαλέσει ερεθισμούς ή εγκαύματα.
- ζ) Μη χρησιμοποιήσετε πακέτο μπαταριών ή εργαλείο που έχει υποστεί ζημιά ή τροποποίηση. Οι μπαταρίες που έχουν υποστεί ζημιά ή τροποποίηση μπορεί να έχουν απρόβλεπτη συμπεριφορά, με αποτέλεσμα φωτιά, έκρηξη ή κίνδυνο τραυματισμού.
- ζ) Μην εκθέσετε ένα πακέτο μπαταριών ή εργαλείο σε φωτιά ή υπερβολική θερμοκρασία. Η έκθεση σε φωτιά ή σε θερμοκρασία πάνω από 130 °C μπορεί να

προκαλέσει έκρηξη. ΣΗΜΕΙΩΣΗ: Η θερμοκρασία "130 °C" μπορεί να αντικατασταθεί από τη θερμοκρασία "265 °F".

η) Τηρείτε όλες τις οδηγίες φόρτισης και μη φορτίζετε το πακέτο μπαταριών ή το εργαλείο εκτός των ορίων θερμοκρασίας που ορίζονται στις προδιαγραφές. Η ακατάλληλη φόρτιση ή η φόρτιση σε θερμοκρασίες εκτός των προβλεπόμενων ορίων μπορεί να προξενήσει ζημιά στην μπαταρία και να αυξήσει τον κίνδυνο φωτιάς.

## 6. Σέρβις

- α) Το σέρβις του ηλεκτρικού σας εργαλείου πρέπει να αναλαμβάνει έμπειρος τεχνικός που θα χρησιμοποιεί μόνο γνήσια ανταλλακτικά. Έτσι θα εξασφαλίσετε τη διατήρηση της ασφάλειας του ηλεκτρικού εργαλείου.
- β) Ποτέ μην κάνετε σέρβις σε πακέτα μπαταρίας που έχουν υποστεί ζημιά. Το σέρβις των πακέτων μπαταριών πρέπει να γίνεται μόνο από τον κατασκευαστή ή από εξουσιοδοτημένους παρόχους σέρβις.

## Πρόσθετοι ειδικοί κανόνες ασφαλείας για τριβεία

- Κρατάτε το ηλεκτρικό εργαλείο από τις μονωμένες επιφάνειες διότι ο μόνιμος λείανσης / η βάση λείανσης μπορεί να έρθουν σε επαφή με το δικό τους καλώδιο. Η κοπή ενός ηλεκτροφόρου καλωδίου μπορεί να καταστήσει και τα εκτεθειμένα μεταλλικά μέρη του ηλεκτρικού εργαλείου ηλεκτροφόρα και να προκαλέσει ηλεκτροπληξία στο χειριστή του.
- Χρησιμοποιείτε σφιγκτήρες ή άλλο πρακτικό τρόπο για να στερεώσετε και να στηρίζετε το αντικείμενο εργασίας σε σταθερό υπόβαθρο. Αν κρατάτε το αντικείμενο εργασίας με το χέρι σας ή κόντρα στο σώμα σας, δεν υπάρχει σταθερότητα και μπορεί να προκληθεί απώλεια του ελέγχου.
- Η προβλεπόμενη χρήση περιγράφεται στο παρόν χειριρίδιο οδηγιών. Η χρήση οποιουδήποτε αξεσουάρ ή προσαρτήματος ή η εκτέλεση με αυτό το εργαλείο οποιασδήποτε εργασίας διαφορετικής από αυτές που συνιστώνται στο παρόν χειριρίδιο οδηγιών ενδέχεται να εγκυμονεί κίνδυνο σωματικής βλάβης και/ή υλικών ζημιών.



**ΠΡΟΕΙΔΟΠΟΙΗΣΗ:** Η επαφή με τη σκόνη ή η εισπνοή της σκόνης που δημιουργούν οι εφαρμογές γυαλοχάρτισματος μπορεί να ενέχουν κίνδυνο για την υγεία του χειριστή και των παρευρισκομένων. Φοράτε μάσκα προστασίας από σκόνη ειδικά σχεδιασμένη για προστασία από τοξική σκόνη και αναθυμιάσεις και φροντίστε απαραίτητα να είναι προστατευμένα και τα άτομα που βρίσκονται ή εισέρχονται στην περιοχή εργασίας.



**ΠΡΟΕΙΔΟΠΟΙΗΣΗ:** Χρησιμοποιήστε αυτό το εργαλείο σε καλά αεριζόμενο χώρο κατά το γυαλοχάρτισμα σιδηρούχων μετάλλων. Μη χρησιμοποιείτε το εργαλείο κοντά σε εύφλεκτα υγρά,

αέρια ή σκόνη. Σπινθήρες ή θερμά σωματίδια από το γυαλοχάρτισμα ή από τις ψήκτρες του μοτέρ μπορεί να προκαλέσουν ανάφλεξη καύσιμων υλικών.



**ΠΡΟΕΙΔΟΠΟΙΗΣΗ:** Μη χρησιμοποιείτε την κασέτα φίλτρου σκόνης ή τον προσαρμογέα εξαγωγής σκόνης για τη φύλαξη αντικειμένων.

## Γυαλοχάρτισμα βαμμένων επιφανειών



**ΠΡΟΕΙΔΟΠΟΙΗΣΗ:** Τηρείτε τους ισχύοντες κανονισμούς για το γυαλοχάρτισμα βαμμένων επιφανειών. Προσέχετε ιδιαίτερα τα εξής: Όταν είναι εφικτό, χρησιμοποιείτε για τη συλλογή της σκόνης διάταξη εξαγωγής σκόνης με αναρρόφηση. Προσέχετε ιδιαίτερα όταν γυαλοχαρτίζετε επιφάνειες βαμμένες με χρώμα το οποίο ενδεχομένως είναι βάσης μολύβδου. Μην αφήνετε παιδιά ή εγκύους να εισέρχονται στην περιοχή εργασίας. Όλα τα άτομα που εισέρχονται στην περιοχή εργασίας θα πρέπει να φορούν μάσκα ειδικά σχεδιασμένη για προστασία από σκόνη και αναθυμιάσεις χρωμάτων μολύβδου. Μην τρώτε, πίνετε ή καπνίζετε στον χώρο εργασίας. Απορρίπτετε με ασφαλή τρόπο τα σωματίδια σκόνης και τυχόν άλλα υπολείμματα της εργασίας αφαίρεσης χρώματος.



**ΠΡΟΕΙΔΟΠΟΙΗΣΗ:** Συνιστούμε τη χρήση διάταξης προστασίας από ρεύμα διαρροής με διαβάθμιση έντασης ρεύματος διαρροής 30 mA ή μικρότερη.

## Πρόσθετες οδηγίες ασφαλείας για τριβεία

- Φοράτε προστατευτικά ακοής. Η έκθεση σε θόρυβο μπορεί να προκαλέσει απώλεια ακοής.

## Υπολειπόμενοι κίνδυνοι

Κατά τη χρήση του εργαλείου μπορεί να δημιουργηθούν πρόσθετοι υπολειπόμενοι κίνδυνοι, οι οποίοι ενδέχεται να μη συμπεριλαμβάνονται στις προειδοποιήσεις ασφαλείας που εσωκλείονται. Αυτοί οι κίνδυνοι μπορεί να προκληθούν από κακή χρήση, παρατεταμένη χρήση κλπ.

Παρά την εφαρμογή των σχετικών κανονισμών ασφαλείας και τη χρήση διατάξεων ασφαλείας, ορισμένοι υπολειπόμενοι κίνδυνοι δεν είναι δυνατόν να αποφευχθούν. Σε αυτούς περιλαμβάνονται:

- Τραυματισμοί από την επαφή με οποιαδήποτε περιστρεφόμενα/κινούμενα μέρη.
- Τραυματισμοί από αλλαγή οποιουδήποτε εξαρτημάτων, λεπίδων ή αξεσουάρ.
- Τραυματισμοί από παρατεταμένη χρήση εργαλείου. Όταν χρησιμοποιείτε οποιοδήποτε εργαλείο για παρατεταμένα χρονικά διαστήματα, μην παραλείπετε με κανένα τρόπο να κάνετε τακτικά διαλείμματα.
- Βλάβη της ακοής.
- Κίνδυνο για την υγεία λόγω εισπνοής σκόνης που αναπτύσσεται κατά τη χρήση του εργαλείου (παραδείγματα:- εργασία με ξύλο, ειδικά βελανιδιά, οξιά και MDF).

## Ασφάλεια τρίτων

- Αυτό το εργαλείο δεν προορίζεται για χρήση από άτομα (στα οποία περιλαμβάνονται και τα παιδιά) με μειωμένες φυσικές, αντιληπτικές ή διανοητικές ικανότητες ή άτομα χωρίς εμπειρία και γνώσεις, παρά μόνο εφόσον επιτηρούνται ή τους έχουν δοθεί οδηγίες σχετικά με τη χρήση του εργαλείου από άτομο υπεύθυνο για την ασφάλειά τους.
- Τα παιδιά πρέπει να επιτηρούνται, ώστε να διασφαλιστεί ότι δεν παίζουν με τη συσκευή.
- Η προβλεπόμενη χρήση περιγράφεται στο παρόν εγχειρίδιο οδηγιών. Η χρήση οποιουδήποτε αξεσουάρ ή προσαρτήματος ή η εκτέλεση με αυτό το εργαλείο οποιασδήποτε εργασίας διαφορετικής από αυτές που συνιστώνται στο παρόν εγχειρίδιο οδηγιών ενδέχεται να εγκυμονεί κίνδυνο σωματικής βλάβης και/ή υλικών ζημιών.

## Κραδασμοί

Η δηλωμένη τιμή εκπομπής κραδασμών που αναφέρεται στα τεχνικά χαρακτηριστικά και τη δήλωση συμμόρφωσης έχει μετρηθεί σύμφωνα με τυποποιημένη μέθοδο δοκιμής που προβλέπεται από το πρότυπο EN62841 και μπορεί να χρησιμοποιηθεί για τη σύγκριση ενός εργαλείου με ένα άλλο. Η δηλωμένη τιμή εκπομπής κραδασμών μπορεί επίσης να χρησιμοποιηθεί σε έναν προκαταρκτικό προσδιορισμό της έκθεσης σε κραδασμούς.



**Προειδοποίηση!** Στην πράξη, η τιμή εκπομπής κραδασμών κατά την χρήση του ηλεκτρικού εργαλείου μπορεί να διαφέρει από την τιμή που δηλώθηκε, ανάλογα με τον τρόπο που χρησιμοποιείται το εργαλείο. Το επίπεδο κραδασμών μπορεί να αυξηθεί πάνω από το επίπεδο που έχει δηλωθεί.

Κατά τον προσδιορισμό της έκθεσης σε κραδασμούς για τον καθορισμό των απαιτούμενων μέτρων ασφαλείας σύμφωνα με την οδηγία 2002/44/EK για την προστασία προσώπων που χρησιμοποιούν συχνά ηλεκτρικά εργαλεία στην εργασία τους, μια προσεγγιστική εκτίμηση της έκθεσης σε κραδασμούς πρέπει να λαμβάνει υπόψη τις πραγματικές συνθήκες χρήσης και τον τρόπο χρήσης του εργαλείου, συμπεριλαμβανομένων και όλων των επιμέρους τμημάτων του κύκλου εργασίας, όπως τα χρονικά διαστήματα που το εργαλείο ήταν εκτός λειτουργίας και τα διαστήματα λειτουργίας χωρίς φορτίο, επιπλέον του χρόνου πίεσης της σκανδάλης.

## Ετικέτες πάνω στο εργαλείο

Το εργαλείο φέρει τα παρακάτω προειδοποιητικά σύμβολα μαζί με τον κωδικό ημερομηνίας:



**Προειδοποίηση!** Για να μειωθεί ο κίνδυνος τραυματισμού, ο χρήστης πρέπει να διαβάσει το εγχειρίδιο οδηγιών.

## Πρόσθετες οδηγίες ασφαλείας για μπαταρίες και φορτιστές

### Μπαταρίες

- Ποτέ μην επιχειρήσετε να ανοίξετε το προϊόν για κανένα λόγο.
- Μην εκθέτετε την μπαταρία σε νερό.
- Μην αποθηκεύετε σε τοποθεσίες όπου η θερμοκρασία ενδέχεται να υπερβεί τους 40 °C.
- Να φορτίζετε μόνο σε θερμοκρασίες περιβάλλοντος μεταξύ 10 °C και 40 °C.
- Φορτίζετε μόνο με τη χρήση του φορτιστή που παρέχεται με το εργαλείο.
- Όταν απορρίπτετε τις μπαταρίες, ακολουθήστε τις οδηγίες που δίνονται στην ενότητα “Προστασία του περιβάλλοντος”.



Μην επιχειρήσετε να φορτίσετε μπαταρίες που έχουν υποστεί ζημιά.

### Φορτιστές

- Ο φορτιστής πρέπει να χρησιμοποιείται αποκλειστικά και μόνο για τη φόρτιση της μπαταρίας του εργαλείου το οποίο συνοδεύει. Άλλες μπαταρίες ενδέχεται να εκραγούν, προκαλώντας τραυματισμό ατόμων και ζημιές.
- Μην επιχειρήσετε ποτέ να φορτίσετε μη επαναφορτιζόμενες μπαταρίες.
- Να φροντίζετε να αντικαθίστανται άμεσα τα καλώδια που έχουν υποστεί ζημιά.
- Μην εκθέτετε το φορτιστή σε νερό.
- Μην ανοίγετε το φορτιστή.
- Μην βάζετε οποιαδήποτε αντικείμενα μέσα στο φορτιστή.



Ο φορτιστής προορίζεται για χρήση μόνο σε εσωτερικούς χώρους.

## Ασφαλής χρήση ηλεκτρικού ρεύματος



Αυτός ο φορτιστής φέρει διπλή μόνωση, επομένως δεν απαιτείται σύρμα γείωσης. Πάντα να ελέγχετε ότι η παροχή ρεύματος αντιστοιχεί στην τάση που αναφέρεται στην πινακίδα στοιχείων.

- Αν το καλώδιο ρεύματος έχει υποστεί ζημιά, πρέπει να αντικατασταθεί από τον κατασκευαστή ή εξουσιοδοτημένο κέντρο σέρβις BLACK+DECKER για την αποφυγή κινδύνου.

## Χαρακτηριστικά

Αυτό το εργαλείο διαθέτει μερικά από ή όλα τα παρακάτω χαρακτηριστικά.

1. Λαβή
2. Κουμπί on/off (ενεργοποίησης/απενεργοποίησης)
3. Πέλημα γυαλοχαρτίσματος
4. Μπαταρία
5. Δοχείο συλλογής σκόνης
6. Φορτιστής

## Διαδικασία φόρτισης (Εικ. Α)

Οι φορτιστές BLACK+DECKER έχουν σχεδιαστεί να φορτίζουν πακέτα μπαταριών BLACK+DECKER.

- Συνδέστε το φορτιστή (6) σε κατάλληλη πρίζα πριν εισάγετε το πακέτο μπαταρίας (4).
- Εισαγάγετε το πακέτο μπαταρίας (4) στο φορτιστή (6) όπως δείχνει η Εικόνα Α.
- Η πράσινη λυχνία LED (6a) θα αναβοσβήνει υποδεικνύοντας ότι η μπαταρία φορτίζεται.
- Η ολοκλήρωση της φόρτισης υποδεικνύεται από τη σταθερά αναμμένη πράσινη λυχνία LED (6a). Το πακέτο μπαταρίας είναι τώρα πλήρως φορτισμένο και μπορεί να χρησιμοποιηθεί άμεσα ή να παραμείνει στο φορτιστή.

**Σημείωση:** Επαναφορτίζετε τις αποφορτισμένες μπαταρίες το συντομότερο δυνατόν μετά τη χρήση τους, διαφορετικά μπορεί να μειωθεί πολύ η διάρκεια ζωής τους. Για τη μέγιστη διάρκεια ζωής των μπαταριών, μην τις αποφορτίζετε πλήρως. Συνιστάται να επαναφορτίζετε τις μπαταρίες μετά από κάθε χρήση.

## Παραμονή της μπαταρίας στο φορτιστή

Ο φορτιστής (6) και το πακέτο μπαταρίας (4) μπορούν να παραμείνουν σε σύνδεση επί αόριστον, με τη λυχνία LED αναμμένη. Ο φορτιστής θα διατηρήσει το πακέτο μπαταρίας σε βέλτιστη κατάσταση και πλήρως φορτισμένο.

## Σημαντικές επισημάνσεις για τη φόρτιση

- Η μέγιστη διάρκεια ζωής και η βέλτιστη απόδοση μπορούν να επιτευχθούν αν το πακέτο μπαταρίας φορτίζεται όταν η θερμοκρασία περιβάλλοντος είναι μεταξύ 18 °C και 24 °C (65 °F έως 75 °F). ΜΗ φορτίζετε το πακέτο μπαταρίας σε θερμοκρασία περιβάλλοντος κάτω από +4,5 °C (+40 °F) ή πάνω από +40,5 °C (+105 °F). Αυτό είναι σημαντικό και θα αποτρέψει σοβαρή ζημιά στο πακέτο μπαταρίας.
- Ο φορτιστής και το πακέτο μπαταρίας μπορεί να θερμανθούν κατά τη φόρτιση. Αυτό είναι κανονικό φαινόμενο και όχι ένδειξη προβλήματος. Για να διευκολύνετε την ψύξη του πακέτου μπαταρίας μετά τη χρήση, αποφεύγετε να τοποθετείτε το φορτιστή ή το πακέτο μπαταρίας σε θερμό περιβάλλον, όπως σε μεταλλικό παράπηγμα ή σε μη μονωμένο τρέιλερ.
- Αν το πακέτο μπαταρίας δεν φορτίζεται σωστά:
  - ◆ Ελέγξτε το ρεύμα στην πρίζα συνδέοντας ένα φωτιστικό ή άλλη ηλεκτρική συσκευή.
  - ◆ Ελέγξτε μήπως η πρίζα συνδέεται σε διακοπή φώτων που διακόπτει το ρεύμα όταν σβήνετε τα φώτα.
  - ◆ Μετακινήστε το φορτιστή και το πακέτο μπαταριών σε θέση όπου η θερμοκρασία αέρα περιβάλλοντος είναι περίπου 18 °C - 24 °C (65 °F - 75 °F).
  - ◆ Αν τα προβλήματα φόρτισης επιμένουν, παραδώστε το εργαλείο, το πακέτο μπαταρίας και το φορτιστή στο τοπικό σας κέντρο σέρβις.
- Το πακέτο μπαταρίας πρέπει να επαναφορτίζεται όταν δεν είναι σε θέση να παράγει επαρκή ισχύ σε εργασίες που γίνοντουσαν εύκολα πιο πριν. ΜΗ ΣΥΝΕΧΙΣΕΤΕ τη χρήση υπό αυτές τις συνθήκες. Ακολουθήστε τη διαδικασία φόρτισης. Μπορείτε επίσης να φορτίσετε

όποτε επιθυμείτε ένα πακέτο μπαταριών που δεν έχει εξαντληθεί πλήρως, χωρίς αυτό να έχει αρνητικές συνέπειες στο πακέτο μπαταριών.

- Τα ξένα υλικά με αγώνιμες ιδιότητες, όπως είναι, αλλά χωρίς περιορισμό σε αυτά, το σύρμα τριμίματος, το αλουμινόχαρτο ή οποιαδήποτε συσσώρευση μεταλλικών σωματιδίων, θα πρέπει να διατηρούνται μακριά από τις κοιλότητες του φορτιστή. Πάντα αποσυνδέετε το φορτιστή από την παροχή ρεύματος όταν δεν υπάρχει πακέτο μπαταριών στην κοιλότητα. Αποσυνδέετε το φορτιστή από την πρίζα πριν επιχειρήσετε να τον καθαρίσετε..
- Μην παγώσετε ή βυθίσετε το φορτιστή σε νερό ή οποιοδήποτε άλλο υγρό.



**Προειδοποίηση!** Μην επιτρέψετε να εισέλθει οποιοδήποτε υγρό μέσα στο φορτιστή. Ποτέ μην επιχειρήσετε να ανοίξετε το πακέτο μπαταρίας για οποιονδήποτε λόγο. Αν το πλαστικό περίβλημα του πακέτου μπαταρίας σπάσει ή ραγίσει, επιστρέψτε το πακέτο σε κέντρο σέρβις για ανακύκλωση.

## Διαγνωστικά μηνύματα (Εικ. Β)

Ανατρέξτε στις ενδεικτικές λυχνίες στην εικόνα Β σχετικά με την κατάσταση φόρτισης του πακέτου μπαταρίας.

## Προβληματική μπαταρία

Αν δείτε ένα μοτίβο αναλαμπών που αντιστοιχεί σε προβληματική μπαταρία, μη συνεχίσετε τη φόρτιση της μπαταρίας. Επιστρέψτε την σε κέντρο σέρβις ή σε θέση συλλογής για ανακύκλωση.

## Καθυστέρηση θερμού/ψυχρού πακέτου μπαταρίας

Αν ο φορτιστής ανιχνεύσει πακέτο μπαταρίας με υπερβολικά υψηλή ή χαμηλή θερμοκρασία, ξεκινά αυτόματα μια Καθυστέρηση θερμού/ψυχρού πακέτου μπαταρίας, αναστέλλοντας τη φόρτιση έως ότου το πακέτο μπαταρίας έχει φθάσει σε κατάλληλη θερμοκρασία. Κατόπιν, ο φορτιστής αρχίζει αυτόματα τη φόρτιση του πακέτου. Αυτή η λειτουργία διασφαλίζει τη μέγιστη διάρκεια ζωής του πακέτου μπαταρίας. Ένα κρύο πακέτο μπαταρίας θα φορτίζεται πιο αργά από ένα θερμό πακέτο μπαταρίας. Το πακέτο θα φορτιστεί με αυτή τη μικρότερη ταχύτητα σε όλο τον κύκλο φόρτισης και δεν θα επιστρέψει στη μέγιστη ταχύτητα φόρτισης ακόμα και αν το πακέτο ζεσταθεί.

## Τοποθέτηση και αφαίρεση του πακέτου μπαταρίας από το εργαλείο

### Για να εγκαταστήσετε το πακέτο μπαταρίας (Εικ. C)

- Εισαγάγετε την μπαταρία (4) μέσα στο εργαλείο έως ότου ακούσετε χαρακτηριστικό ήχο κλικ (Εικόνα. C)
- Βεβαιωθείτε ότι το πακέτο μπαταρίας έχει εδράσει πλήρως και έχει ασφαλίσει πλήρως στη θέση του.

### Για να αφαιρέσετε το πακέτο μπαταρίας (Εικ. D)

- Πατήστε το κουμπί απελευθέρωσης της μπαταρίας (7) όπως δείχνει η εικόνα D και τραβήξτε το πακέτο μπαταρίας (4) έξω από το εργαλείο.

## Σύνδεση δίσκων λείανσης με σύστημα χριτς χρατς (Εικ. Ε)

Για τα καλύτερα αποτελέσματα, χρησιμοποιείτε αξεσουάρ BLACK+DECKER.

- Το τριβείο σας έχει σχεδιαστεί για χρήση είτε με γυαλόχαρτο καρβιδίου είτε με κανονικό γυαλόχαρτο με σχήμα απομάκρυνσης σκόνης 8 ωτών.
- Για να συνδέσετε το δίσκο γυαλοχαρτίσματος (8), κεντράρετε τον προσεκτικά πάνω στο πέλμα λείανσης (3) εξασφαλίζοντας ότι οι οπές στο δίσκο ευθυγραμμίζονται με τις οπές στο πέλμα και πιέστε το δίσκο σταθερά στη θέση του.
- Ο δίσκος με το σύστημα σύνδεσης χριτς-χρατς μπορεί να αφαιρεθεί εύκολα, απλά με τράβηγμα. Μπορεί να επαναχρησιμοποιηθεί όπως χρειάζεται.

## Χρήση



**Προειδοποίηση!** Αφήνετε το εργαλείο να λειτουργήσει με τον δικό του ρυθμό. Μην το υπερφορτώνετε.

## Ενεργοποίηση και απενεργοποίηση

- Για να θέσετε το εργαλείο σε λειτουργία, πιέστε το διακόπτη on/off (2) στη θέση "I".
- Για να απενεργοποιήσετε το εργαλείο, πιέστε το διακόπτη on/off (2) στην πίσω θέση O.

## Λειτουργία

Πιάστε το τριβείο όπως δείχνει η εικόνα G και ενεργοποιήστε το. Μετακινήστε το πάνω στην επιφάνεια με πλατιές κινήσεις σάρωσης, αφήνοντας το εργαλείο να κάνει την εργασία. Αν πιέζετε προς τα κάτω το εργαλείο ενώ γυαλοχαρτίζετε, απλά ο ρυθμός αφαίρεσης υλικού μειώνεται και το αποτέλεσμα φινιρίσματος που παράγεται είναι υποδεέστερο. Ελέγχετε τακτικά την εργασία σας. Το τριβείο έχει τη δυνατότητα να αφαιρεί ταχύτητα υλικό, ειδικά με χοντρό γυαλόχαρτο.

## Συλλογή της σκόνης (Εικ. Η, Ι)



**Προειδοποίηση!** Η συλλεγόμενη σκόνη από τη λείανση επιφανειακών επιστρώσεων (πολυουρεθάνης, λινελαίου κλπ.) μπορεί να αυταναφλεγεί μέσα στη σακούλα σκόνης του τριβείου ή αλλού, και να προκαλέσει πυρκαγιά. Για να μειώσετε τον κίνδυνο, αδειάζετε τη σακούλα συχνά και ακολουθείτε αυστηρά τις οδηγίες στο εγχειρίδιο του τριβείου και τις οδηγίες του παραγωγού της εκάστοτε επίστρωσης.

- Για να συνδέσετε το δοχείο συλλογής στο τριβείο, ευθυγραμμίστε τις αυλακώσεις στο κάνιστρο (9) με τις προεξοχές (10) πάνω στο στόμιο εξαγωγής σκόνης.
- Περάστε το δοχείο συλλογής πάνω στο στόμιο εξαγωγής σκόνης και περιστρέψτε το κάνιστρο δεξιόστροφα για να ασφαλίσει στη θέση του όπως δείχνει η Εικόνα Η.
- Για να αφαιρέσετε το δοχείο συλλογής, περιστρέψτε το αριστερόστροφα και αφαιρέστε το.

- Για να αδειάσετε το δοχείο συλλογής, αφαιρέστε το από το στόμιο εξαγωγής σκόνης και αδειάστε τα υπολείμματα της λείανσης σε κατάλληλο κάδο απορριμμάτων, Εικόνα Ι.

## Συντήρηση

Το εργαλείο BLACK+DECKER που έχετε στην κατοχή σας έχει σχεδιαστεί έτσι ώστε να λειτουργεί για μεγάλο χρονικό διάστημα με την ελάχιστη δυνατή συντήρηση. Η συνεχής ικανοποιητική λειτουργία εξαρτάται από τη σωστή φροντίδα και τον τακτικό καθαρισμό.

Ο φορτιστής σας δεν χρειάζεται καμία άλλη συντήρηση πέραν του τακτικού καθαρισμού.



**Προειδοποίηση!** Προτού πραγματοποιήσετε κάποια συντήρηση στο εργαλείο, αφαιρέστε την μπαταρία από το εργαλείο. Αποσυνδέστε το φορτιστή από την πρίζα πριν τον καθαρίσετε.

- Να καθαρίζετε τακτικά τις εγχοπές εξαερισμού του εργαλείου και του φορτιστή με μια μαλακή βούρτσα ή με ένα στεγνό πανί.
- Καθαρίζετε τακτικά το περίβλημα του μοτέρ με ένα ελαφρά υγρό πανί. Μη χρησιμοποιείτε καθαριστικά που χαράζουν ή περιέχουν διαλύτες.

## Προστασία του περιβάλλοντος



Χωριστή συλλογή. Τα προϊόντα και οι μπαταρίες που επισημαίνονται με αυτό το σύμβολο δεν πρέπει να απορρίπτονται μαζί με τα κανονικά οικιακά απορρίμματα.

Τα προϊόντα και οι μπαταρίες περιέχουν υλικά που μπορούν να ανακτηθούν ή να ανακυκλωθούν, ώστε να μειωθούν οι ανάγκες για πρώτες ύλες. Παρακαλούμε να ανακυκλώνετε τα ηλεκτρικά προϊόντα και τις μπαταρίες σύμφωνα με τους τοπικούς κανονισμούς. Περισσότερες πληροφορίες διατίθενται στον ιστότοπο [www.2helpU.com](http://www.2helpU.com)

## Τεχνικά χαρακτηριστικά

| BDCROS18 H1                         |                   |                    |
|-------------------------------------|-------------------|--------------------|
| Τάση εισόδου                        | $V_{DC}$          | 18                 |
| Παλινδρομήσεις (χωρίς φορτίο)       | $\text{min}^{-1}$ | 12000              |
| Ελλειπτικές κινήσεις (χωρίς φορτίο) | $\text{min}^{-1}$ | 12000              |
| Επιφάνεια βάσης γυαλοχαρτίσματος    | $\text{mm}^2$     | 12660              |
| Βάρος                               | kg                | 0.9                |
| <b>Μπαταρία</b>                     |                   | <b>BL1518</b>      |
| Τάση                                | $V_{DC}$          | 18                 |
| Χωρητικότητα                        | Ah                | 1.5                |
| Τύπος                               |                   | H4                 |
| <b>Φορτιστής</b>                    |                   | <b>SSC-250040X</b> |
| Τάση εισόδου                        | $V_{AC}$          | 230                |
| Τάση εξόδου                         | $V_{DC}$          | 8 - 20             |
| Ρεύμα                               | mA                | 400                |

|   |
|---|
| $L_{PA}$ (ηχητική πίεση) 71,5 dB(A), Αβεβαιότητα (K) 3 dB(A)  |
| $L_{WA}$ (ηχητική ισχύς) 82,5 dB(A), αβεβαιότητα (K) 3 dB(A)  |
| Οι συνολικές τιμές κραδασμών (διανυσματικό άθροισμα τριών αξόνων) καθορίστηκαν σύμφωνα με το πρότυπο EN62841: |
| Τιμή εκπομπής κραδασμών ( $a_w$ ) 3,4 $\text{m/s}^2$ , αβεβαιότητα (K) 1,5 $\text{m/s}^2$                     |

## Δήλωση συμμόρφωσης ΕΚ

ΟΔΗΓΙΑ ΠΕΡΙ ΜΗΧΑΝΗΜΑΤΩΝ



BDCROS18 Τριβείο

Η Black & Decker δηλώνει ότι τα προϊόντα αυτά που περιγράφονται στα “τεχνικά χαρακτηριστικά” συμμορφώνονται με:

EN62841-1:2015, EN62841-2-4:2014.

Αυτά τα προϊόντα συμμορφώνονται και με την Οδηγία 2006/42/ΕΚ, 2014/30/ΕΕ και 2011/65/ΕΕ. Για περισσότερες πληροφορίες, επικοινωνήστε με την Black & Decker στην παρακάτω διεύθυνση ή ανατρέξτε στο πίσω μέρος του εγχειριδίου.

Ο κάτωθι υπογεγραμμένος είναι υπεύθυνος για την κατάρτιση του τεχνικού φακέλου και κάνει αυτή τη δήλωση για λογαριασμό της Black & Decker.

A. P. Smith

Τεχνικός Διευθυντής Σχεδιασμού  
Black & Decker Europe, 270 Bath Road, Slough,  
Berkshire, SL1 4DX, United Kingdom (Ηνωμένο Βασίλειο)  
30/4/2019

## Εγγύηση

Η Black & Decker είναι σίγουρη για την ποιότητα των προϊόντων της και προσφέρει στους καταναλωτές εγγύηση 24 μηνών από την ημερομηνία αγοράς. Αυτή η εγγύηση συμπληρώνει και με κανένα τρόπο δεν παραβλάπτει τα νόμιμα δικαιώματά σας. Η εγγύηση ισχύει εντός της επικράτειας των χωρών μελών της Ευρωπαϊκής Ένωσης και της Ευρωπαϊκής Ζώνης Ελευθέρων Συναλλαγών. Για να υποβάλετε αξίωση βάσει της εγγύησης, η αξίωση θα πρέπει να είναι σύμφωνη με τους Όρους και προϋποθέσεις της Black & Decker και θα χρειαστεί να υποβάλετε απόδειξη αγοράς στον πωλητή ή σε εξουσιοδοτημένο αντιπρόσωπο επισκευών.

Μπορείτε να αποκτήσετε τους Όρους και προϋποθέσεις της εγγύησης 2 ετών της Black & Decker και να μάθετε την τοποθεσία του πλησιέστερου εξουσιοδοτημένου αντιπροσώπου επισκευών στο Internet στο [www.2helpU.com](http://www.2helpU.com), ή επικοινωνώντας με τοπικό σας γραφείο Black & Decker στη διεύθυνση που υποδεικνύεται στο παρόν εγχειρίδιο. Επισκεφθείτε τον ιστότοπό μας [www.blackanddecker.gr](http://www.blackanddecker.gr) για να καταχωρίσετε το νέο σας προϊόν Black & Decker και για να λαμβάνετε ενημερώσεις για νέα προϊόντα και ειδικές προσφορές.

|   |   |  |
|---|---|--|
| <b>België/Belgique/Luxembourg</b><br>www.blackanddecker.be<br>enduser.be@sbdinc.com                   | Stanley Black & Decker Belgium BVBA<br>Egide Walschaertsstraat 16<br>2800 Mechelen  | Tel. NL +32 15 47 37 65<br>Tel. FR +32 15 47 37 66<br>Fax. +32 15 47 37 99 |
| <b>Danmark</b>  | Black & Decker<br>Roskildevej 22<br>2620 Albertslund  | kundeservice.dk@sbdinc.com<br>www.blackanddecker.dk                        |
| <b>Deutschland</b><br>www.blackanddecker.de<br>infobdgc@sbdinc.com                                    | Stanley Black & Decker Deutschland GmbH<br>Black & Decker Str. 40, D - 65510 Idstein  | Tel. 06126 21-0<br>Fax 06126 21-2980                                       |
| <b>Ελλάδα</b><br>www.blackanddecker.gr<br>greece.service@sbdinc.com                                   | Stanley Black & Decker (ΕΛΛΑΣ) Ε.Π.Ε<br>ΓΡΑΦΕΙΑ: Στραβώνος 7 & Βουλιαγμένης<br>166 74 Γλυφάδα - Αθήνα   | Τηλ. 210-8981616<br>Φαξ 210-8983570  |
| <b>SERVICE:</b>   | Ημερος Τόπος 2 -Χάνι Αδάμ<br>193 00 Ασπρόπυργος - Αθήνα   | Τηλ. Service 210-8985208<br>Φαξ 210-5597598                                |
| <b>España</b><br>www.blackanddecker.es<br>respuesta.posventa@sbdinc.co                                | Stanley Black & Decker Ibérica, S.C.A.<br>Parc de Negocis "Mas Blau"<br>Edificio Muntadas, c/Bergadá, 1, Of. A6<br>08820 El Prat de Llobregat (Barcelona) | Tel. 934 797 400<br>Fax 934 797 419  |
| <b>France</b><br>www.blackanddecker.fr  | Black & Decker (France) S.A.S.<br>5 allée des Hêtres<br>B.P. 30084<br>69579 Limonest Cédex  | Tel. 04 72 20 39 20<br>Fax 04 72 20 39 00                                  |
| <b>Helvetia</b><br>www.blackanddecker.ch<br>service@rofoag.ch   | ROFO AG<br>Gewerbezone Seeblick<br>3213 Kleinbödingen   | Tel. 026-6749393<br>Fax 026-6749394  |
| <b>Italia</b><br>www.blackanddecker.it<br>service.italia@sbdinc.com                                   | Stanley Black & Decker Italia<br>Via Energypark 6<br>20871 Vimercate (MB)   | Tel. 039-9590200<br>Fax 039-9590313<br>Numero verde 800-213935             |
| <b>Nederland</b><br>www.blackanddecker.nl<br>enduser.nl@sbdinc.com                                    | Stanley Black & Decker Netherlands BV<br>Holtum Noordweg 35, 6121 RE BORN<br>Postbus 83, 6120 AB BORN   | Tel. +31 164 283 065<br>Fax +31 164 283 200                                |
| <b>Norge</b>  | Black & Decker<br>Postboks 4613, Nydalen<br>0405 Oslo   | kundeservice.no@sbdinc.com<br>www.blackanddecker.no                        |
| <b>Österreich</b><br>www.blackanddecker.at<br>service.austria@sbdinc.com                              | Stanley Black & Decker Austria GmbH<br>Oberlaaerstraße 248, A-1230 Wien   | Tel. 01 66116-0<br>Fax 01 66116-614  |
| <b>Portugal</b><br>www.blackanddecker.pt<br>resposta.posvenda@sbdinc.com                              | Black & Decker Limited SARL<br>Quinta da Fonte - Edifício Q55 D. Diniz<br>Rua dos Malhões, 2 e 2A - Piso 2 Esquerdo<br>2770 - 071 Paço de Arcos           | Tel. 214667500<br>Fax 214667580  |
| <b>Suomi</b>  | Black & Decker<br>PL47<br>00521, Helsinki   | asiakaspalvelu.fi@sbdinc.com<br>www.blackanddecker.fi                      |
| <b>Sverige</b>  | Black & Decker AB<br>Box 94, 431 22 Mölndal   | kundservice.se@sbdinc.com<br>www.blackanddecker.se                         |
| <b>Türkiye</b><br>www.blackanddecker.com.tr   | KALE Hirdavat ve Makina A.Ş.<br>Defterdar Mah. Savaklar Cad. No:15<br>Edimekapı / Eyüp / İstanbul 34050   | Tel. 0212 533 52 55<br>Fax. 0212 533 10 05                                 |
| <b>United Kingdom &amp; Republic Of Ireland</b><br>www.blackanddecker.co.uk<br>emeaservice@sbdinc.com | Black & Decker<br>270 Bath Road<br>Slough, Berkshire SL1 4DX  | Tel. 01753 511234<br>Fax 01753 512365                                      |
| <b>Middle East &amp; Africa</b><br>www.blackanddecker.ae<br>service.me@sbdinc.com                     | Black & Decker<br>P.O.Box - 17164<br>Jebel Ali Free Zone (South), Dubai,<br>UAE   | Tel. +971 4 8863030<br>Fax +971 4 8863333                                  |