

100 x 40 x 30 cm*

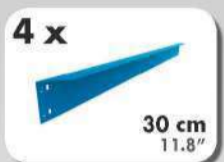
39.4" x 15.8" x 11.8"

KIT SIMONBOTTLE 2-400



5 Años Garantía
Years Guarantee
Jahre Garantie
Ans Garantie
Anos de Garantia

SIMONRACK



*MEDIDAS EN USD: 1011 x 410 x 310 mm
USED MEASUREMENTS: 39.80" x 16.14" x 11.8"

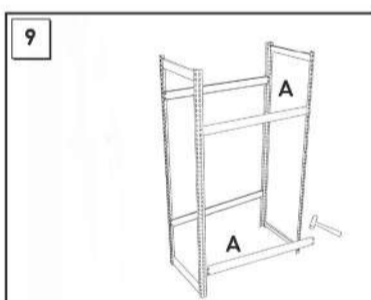
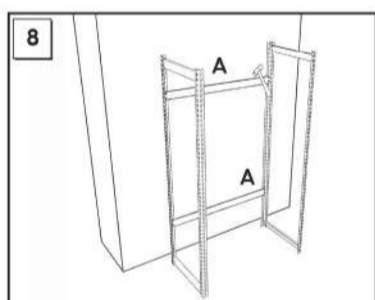
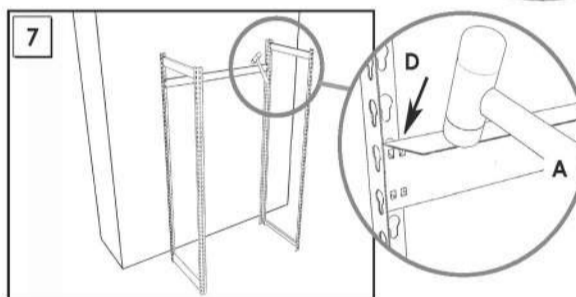
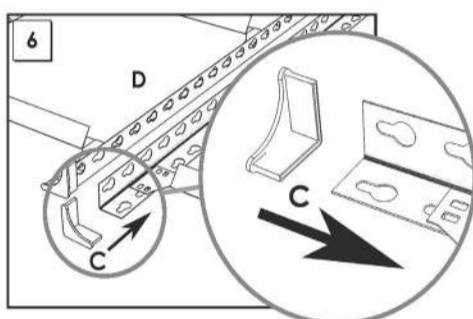
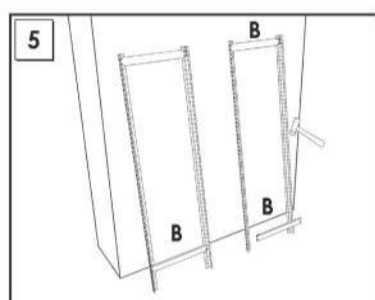
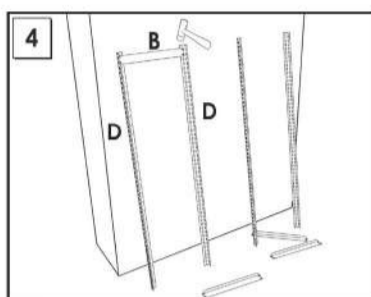
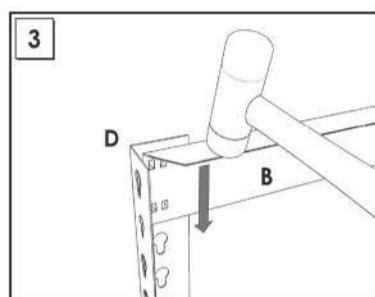
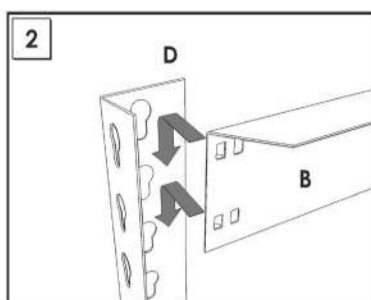
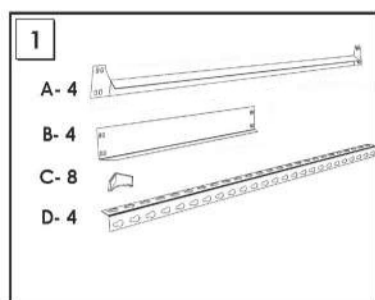


ESTANTERIAS SIMON S.L. B.50.556.463
PG. ALFAMEN C/ POLIGONO C, N°3
ALFAMEN (ZARAGOZA)

Simon
Rack
SINCE 1964 - MANUFACTURER
www.simonrack.com



INSTRUCCIONES
INSTRUCTIONS
ANLEITUNG
INSTRUCTIONS



www.simonrack.com • www.simonrack.com • www.simonrack.com • www.simonrack.com

SIMONCLASSIC



SIMONCLICK



SIMONTALLER



SIMONAUTO



SIMONWORK



SIMONLOCKER



SIMONOFFICE



SIMONHOME



SIMONGARDEN



SIMONTITÁN

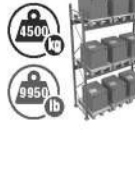


SIMONINOX



SIMONINDUSTRIAL

SIMONPALET



SIMONLEVER



ALTILLOS Y PASILLOS
ELEVADOS • PLATFORMS
AND MEZZANINES •
LAGERBÜHNEN • PLATES
FORMES ET MEZZANINES

