

250 X 90 X 30 CM

98.4" X 35.4" X 11.8"

MADERCLICK 6/300

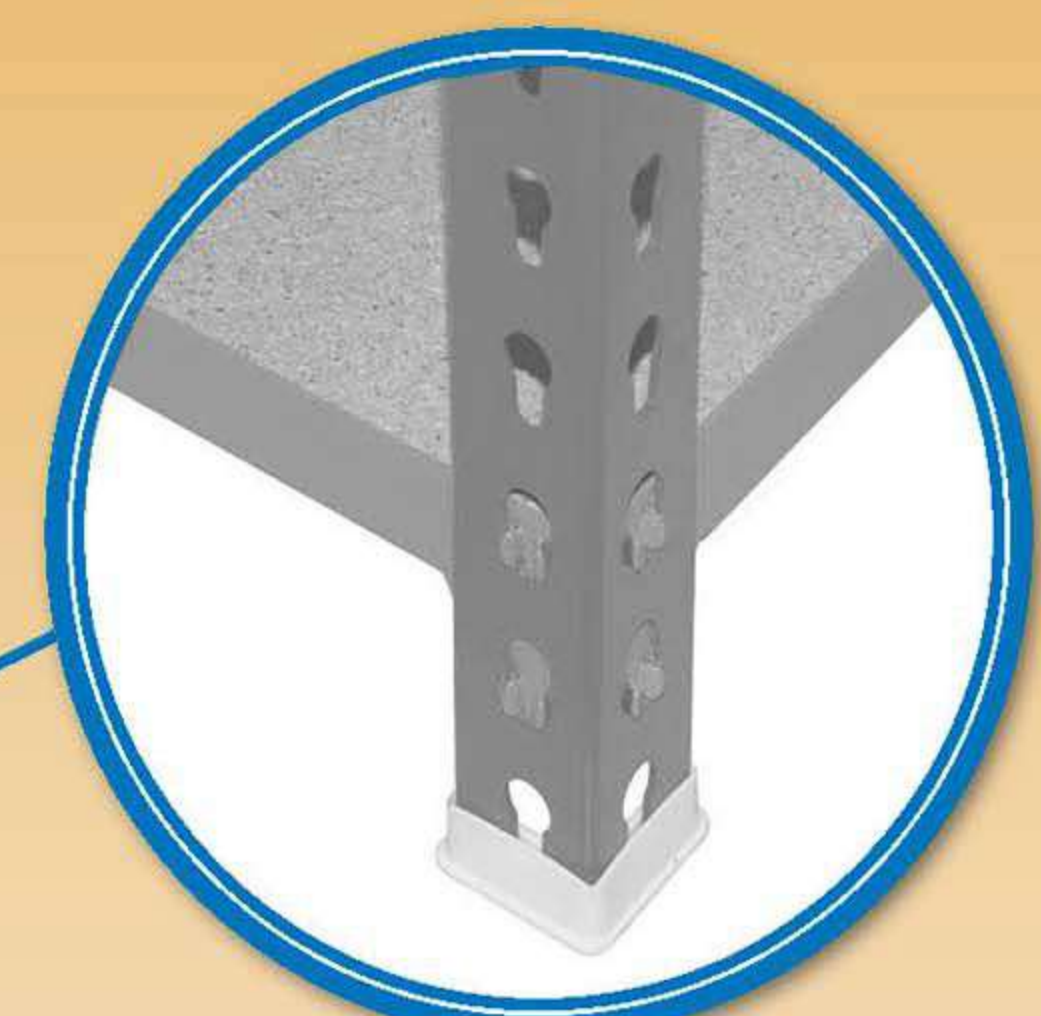
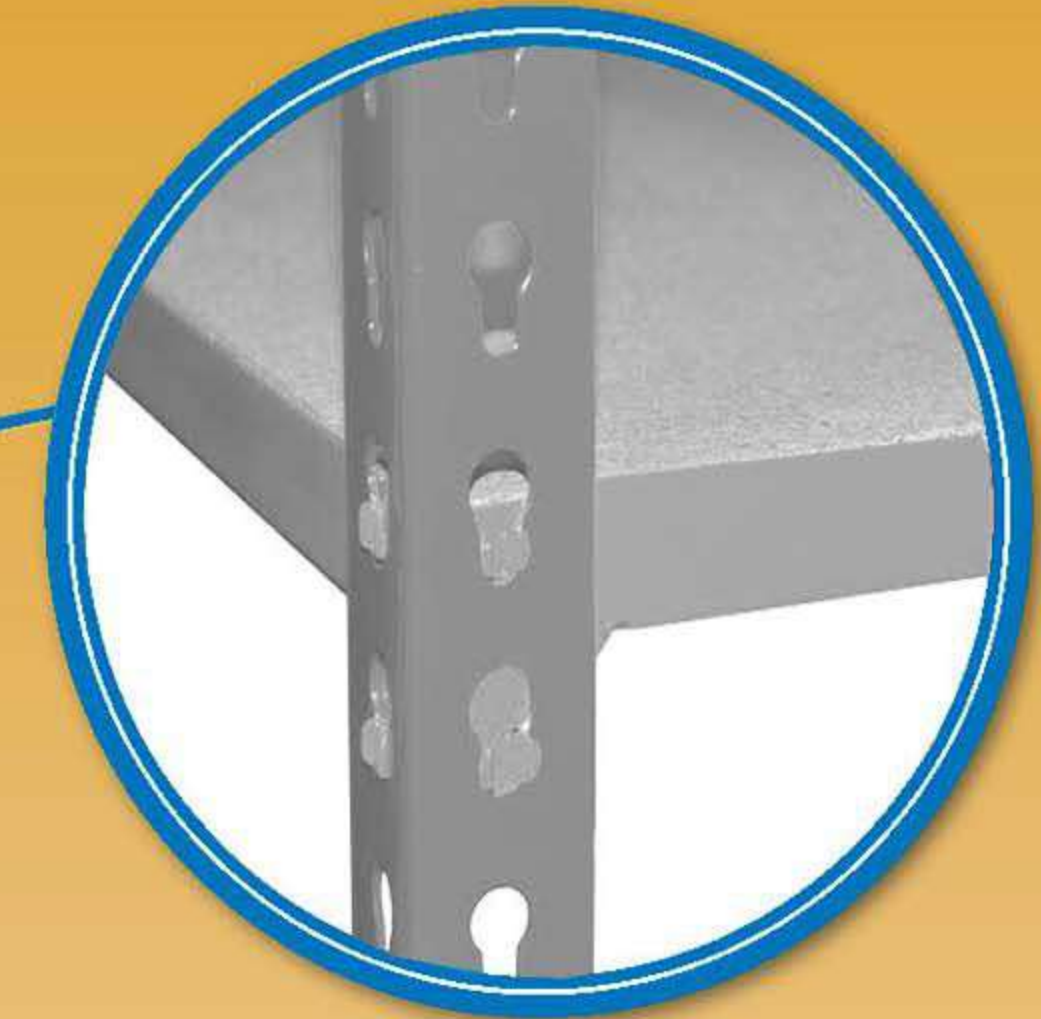
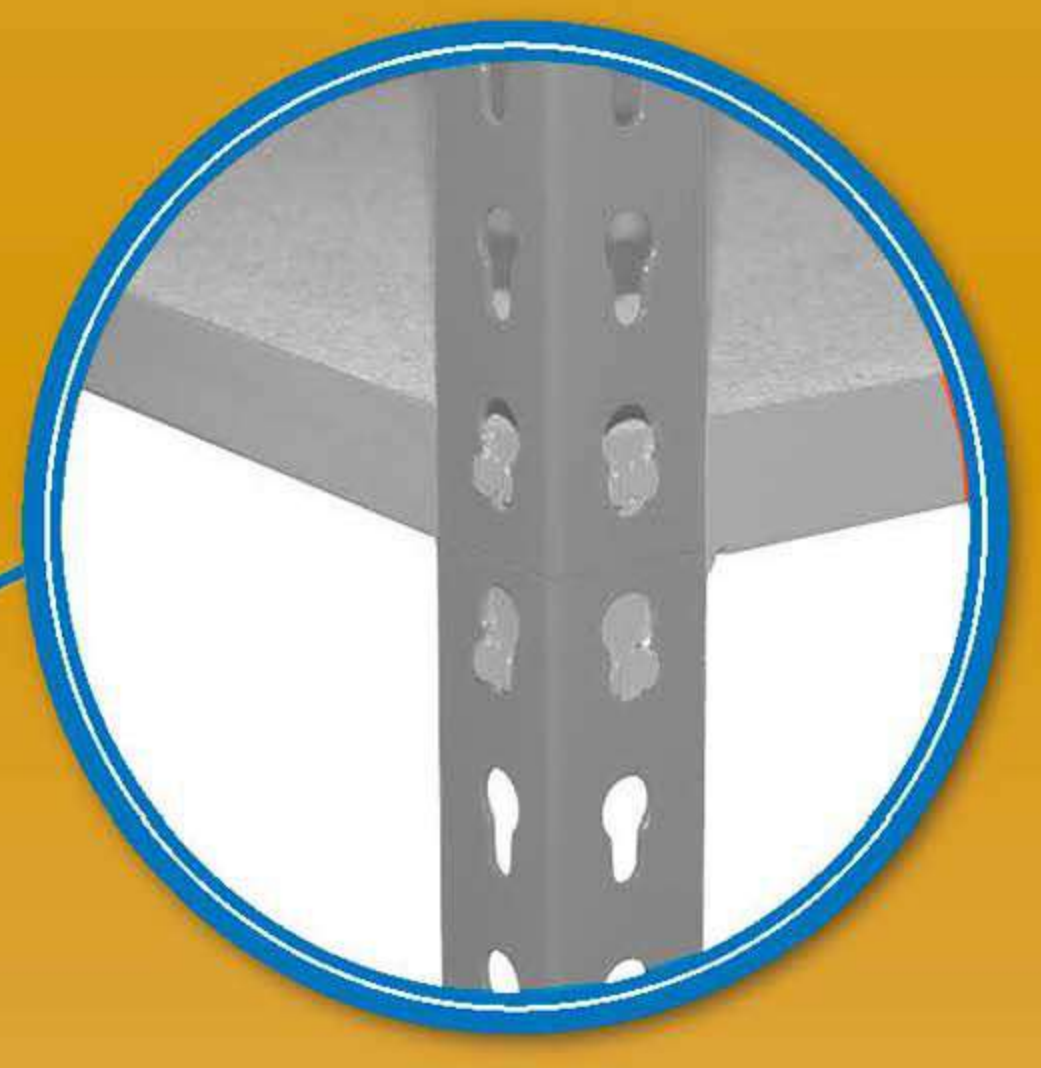
5 Años Garantía
Years Guarantee
Jahre Garantie
Ans Garantie
Anos de Garantia
SIMONRACK

250 cm (98.4")



900 kg
(1984 lb)
Total

-
-
- 8 x** 125 cm (49.2")
- 6 x** 90 x 30 cm (35.4"x11.8")
- 6 x** 30 cm (11.8")
- 12 x** 90 cm (35.4")
- 4 x**
-



-
-
-
-
- OPTION**

*MEDIDAS EN USO USED MEASUREMENTS
MASSNAHMEN IM EINSATZ MESURES EN EMPLOI MEDIDAS EN USO:
2510 x 910 x 310 mm (98.8" x 35.8" x 12.2")



ESTANTERIAS SIMON S.L. B.50.556.463
PG. ALFAMEN C/ POLIGONO C, N°3
ALFAMEN (ZARAGOZA)



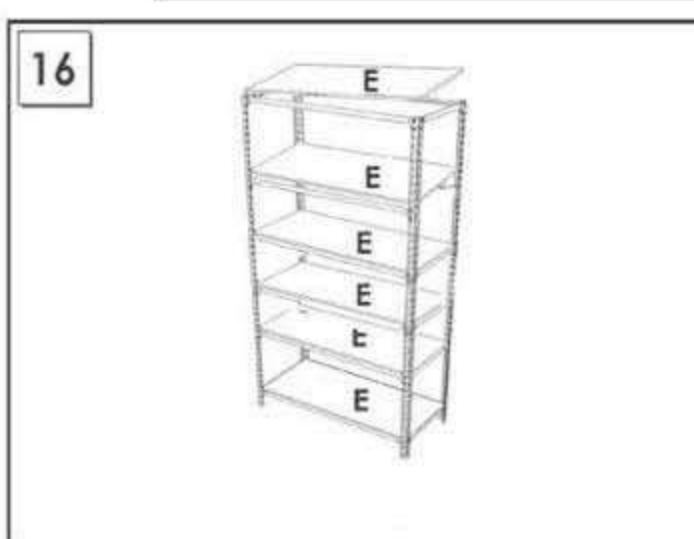
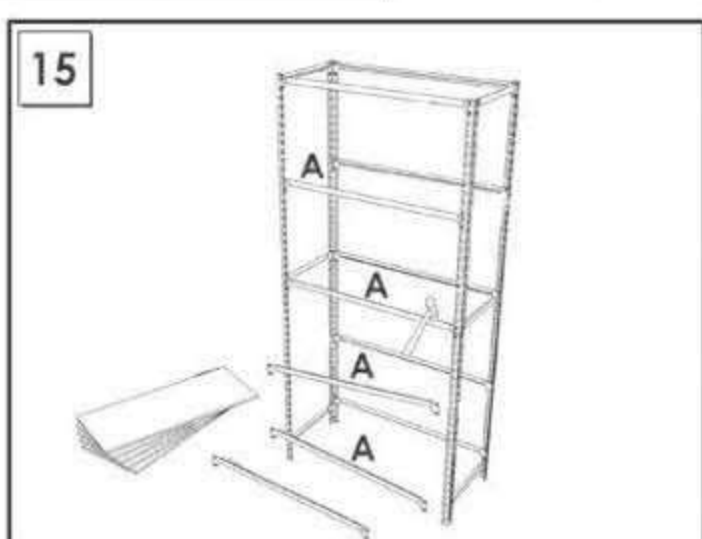
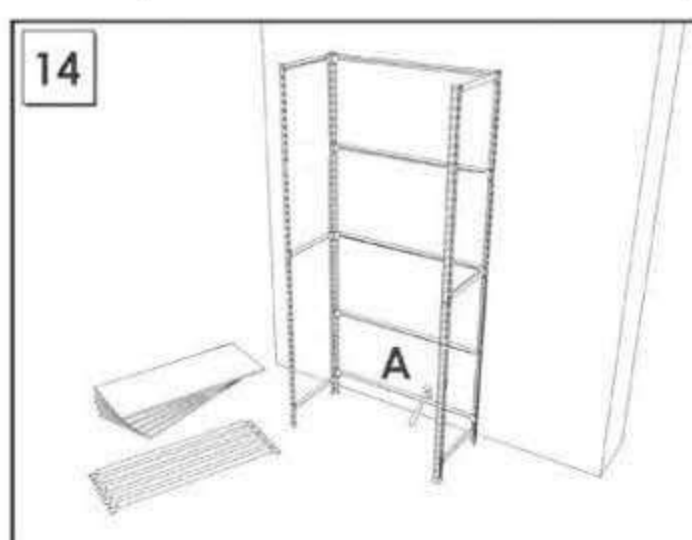
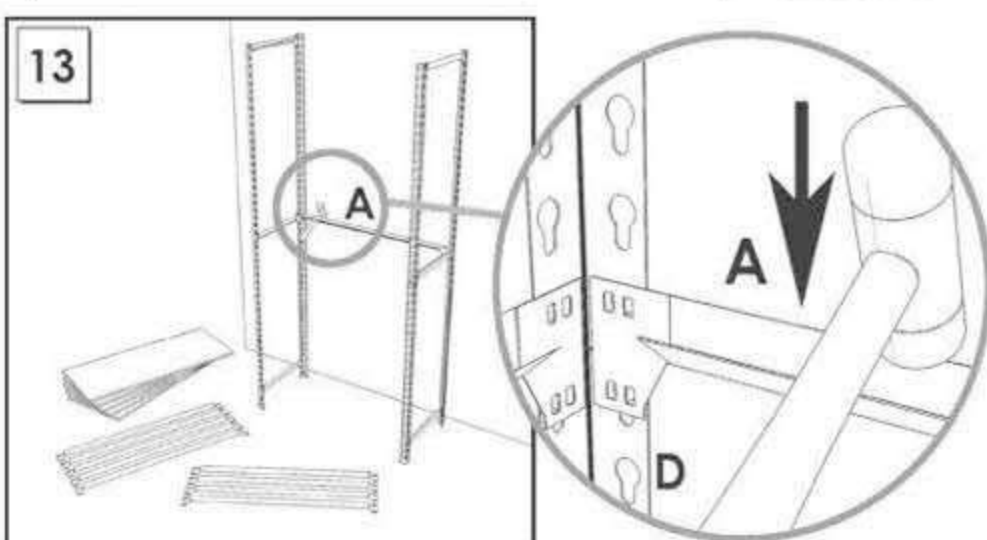
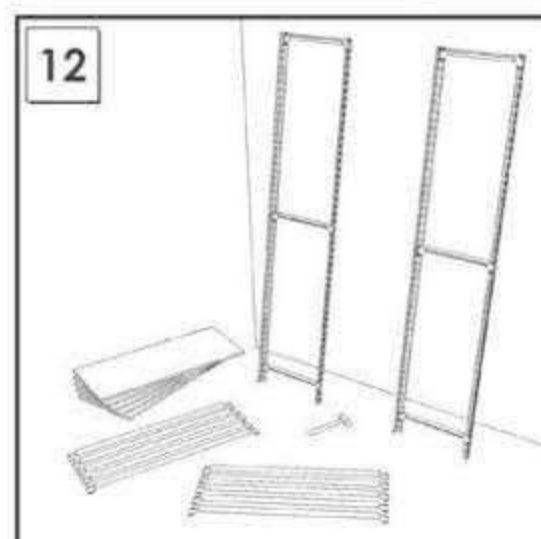
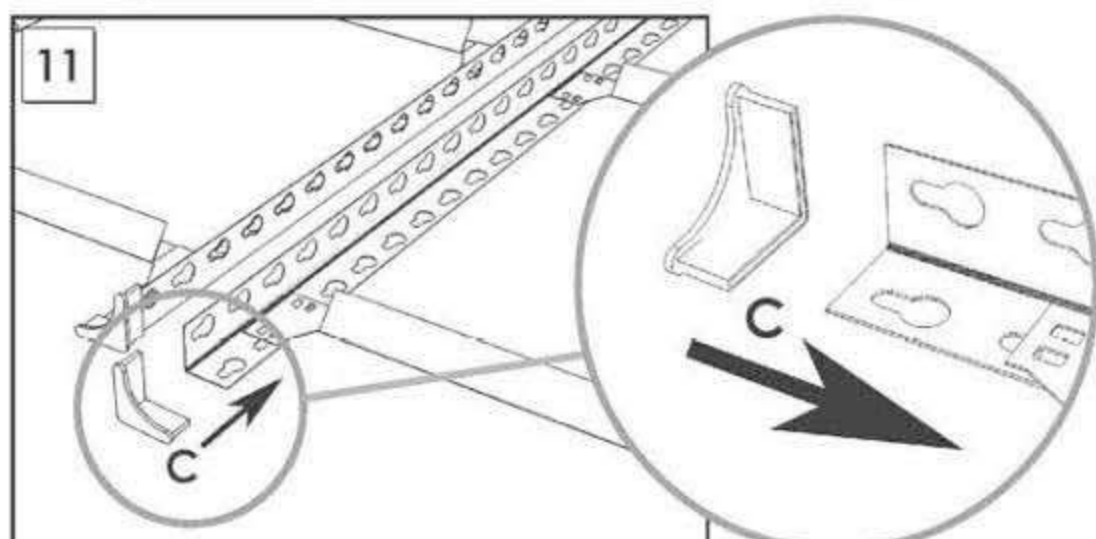
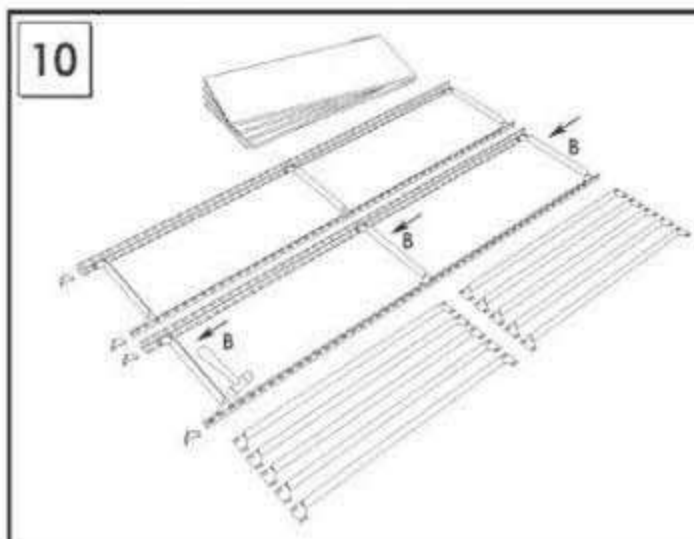
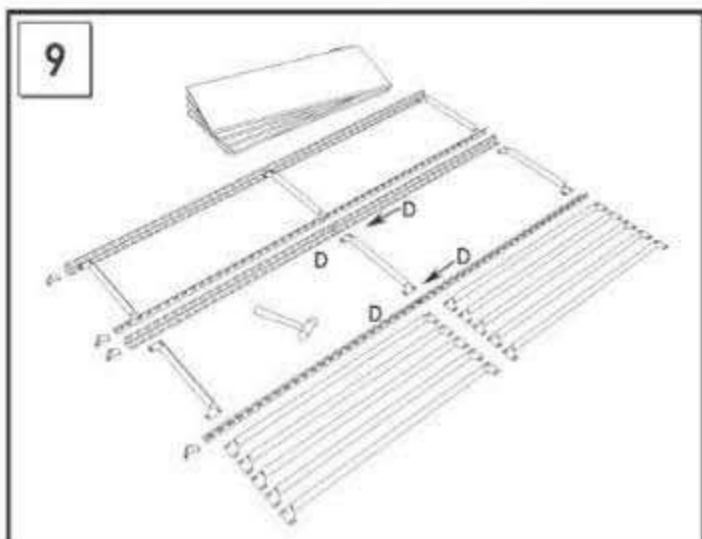
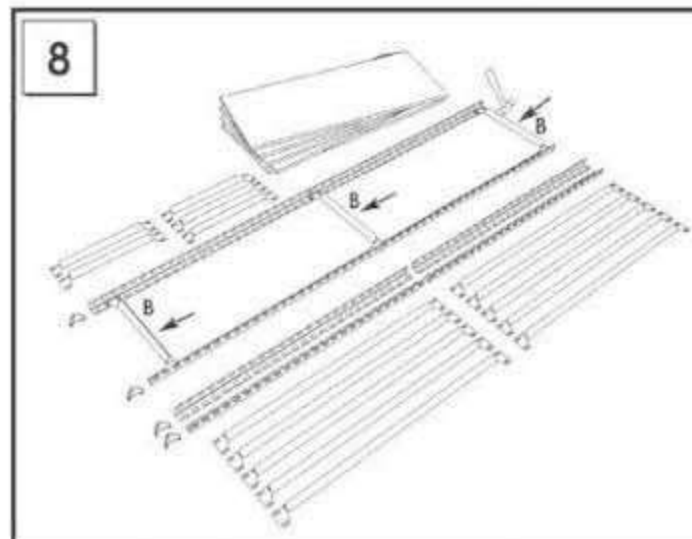
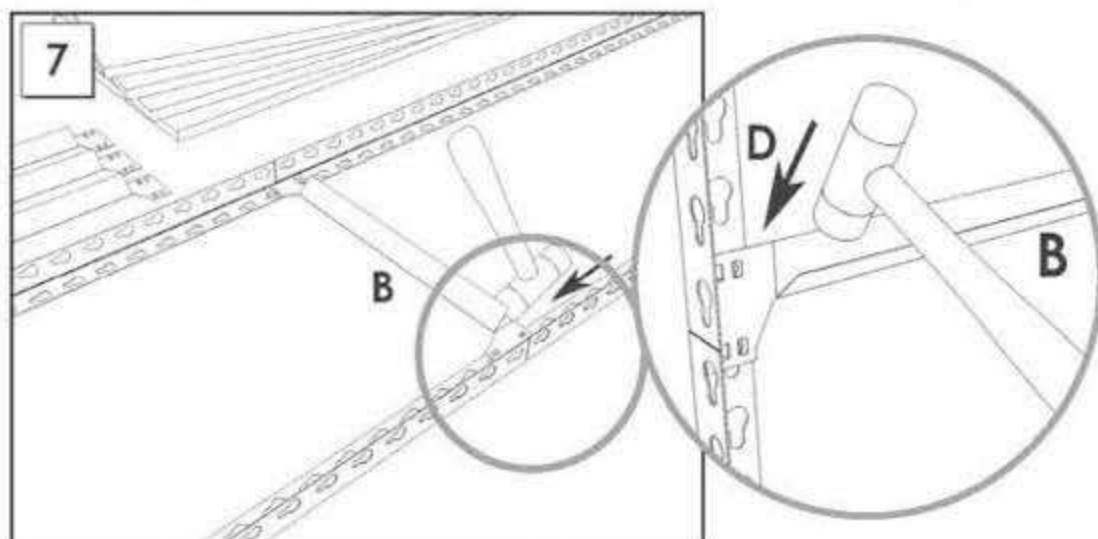
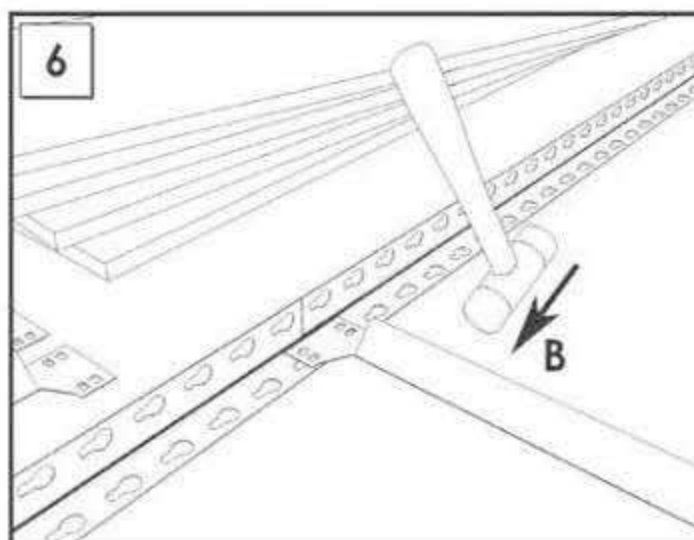
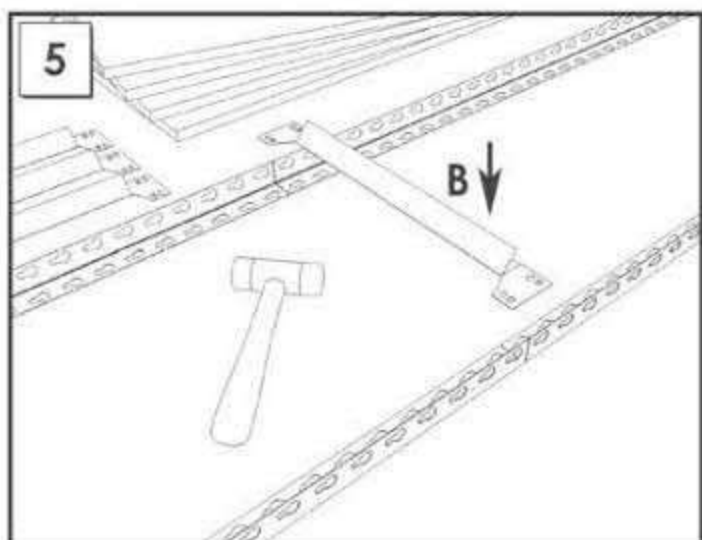
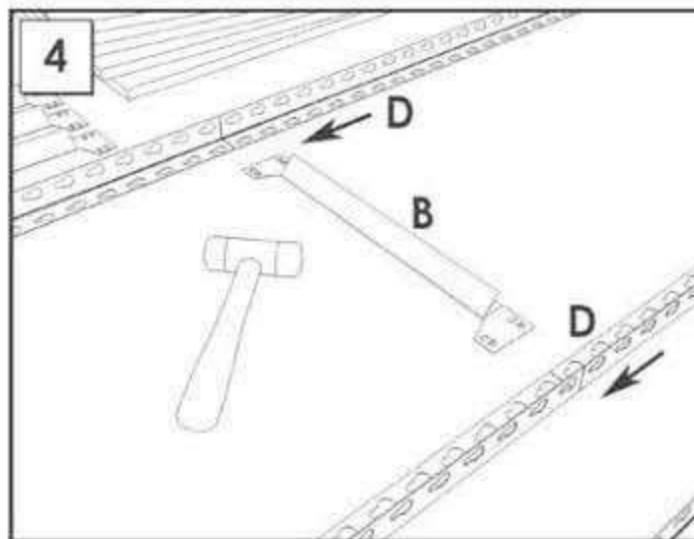
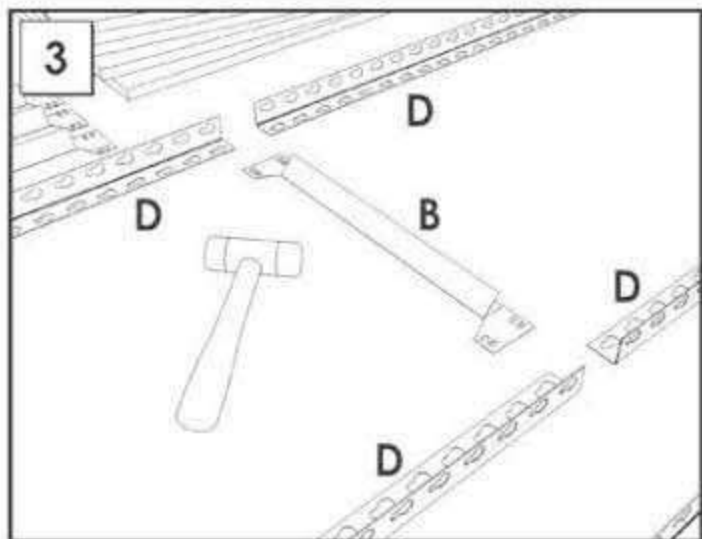
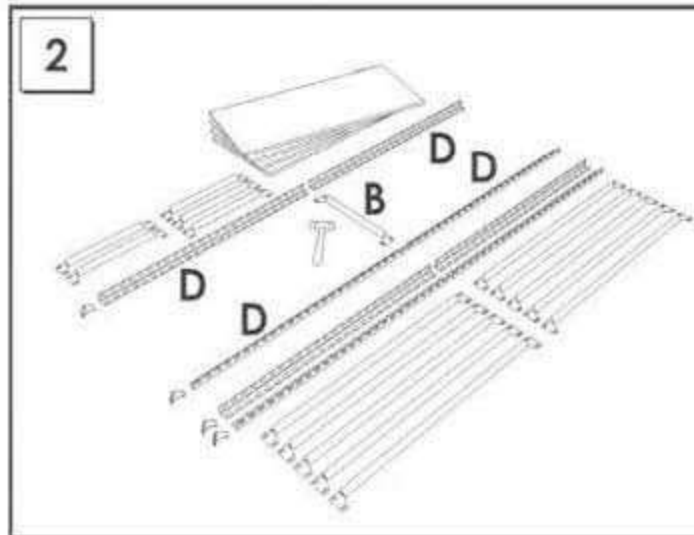
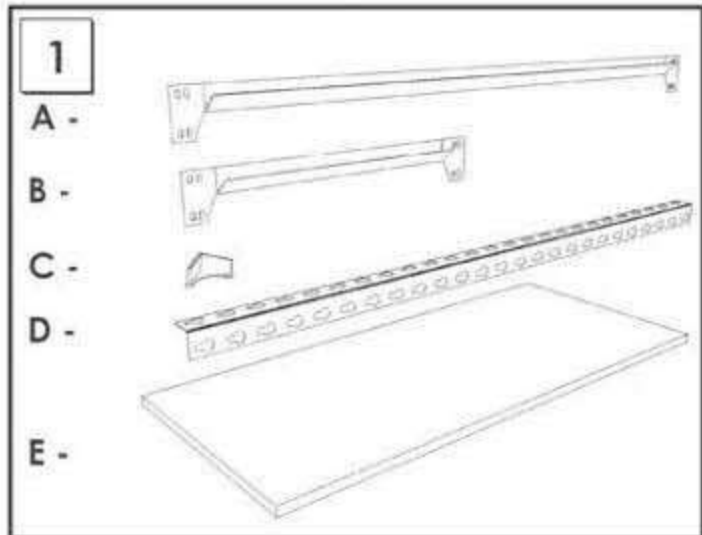
Simon Rack
SINCE 1964 - MANUFACTURER



www.simonrack.com



INSTRUCTIONS



On-line instructions: www.instructionsrack.com/maderclick

SIMONCLASSIC



SIMONCLICK



SIMONOFFICE



SIMONTALLER



**BANCOS DE TRABAJO
WORK BENCHES**



SIMONHOME



**TAQUILLAS
LOCKER**



SIMONTTÁN



SIMONINOX



SIMONPALET



SIMONLEVER



**ALTILLOS Y PASILLOS ELEVADOS
PLATFORMS AND MEZZANINES**

