

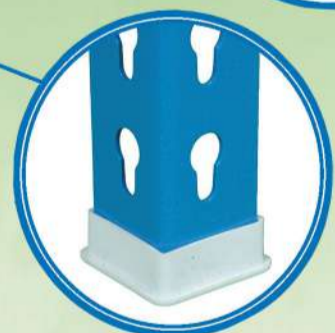
# 90 x 90 x 50 cm

## 35.4" x 35.4" x 19.7"

### SIMONCLICK 3/500

**5** Años Garantía  
Years Guarantee  
Jahre Garantie  
Ans Garantie  
Anos de Garantia

**SIMONRACK**



\*MEDIDAS EN USO USED MEASUREMENTS  
MASSNAHMEN IM EINSATZ MESURES EN EMPLOI MEDIDAS EM USO:  
885 x 910 x 510 mm ( 34.84" x 35.83" x 20.08")



**Simon Rack**  
SINCE 1964 - MANUFACTURER

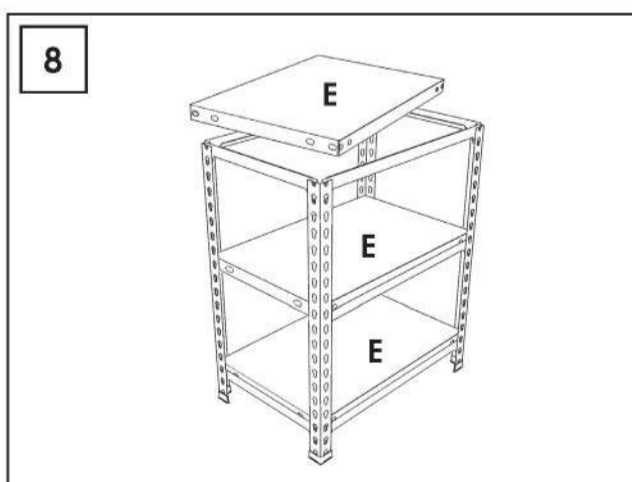
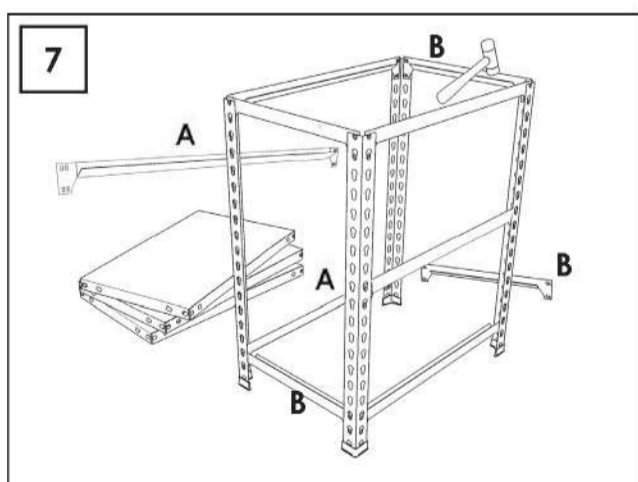
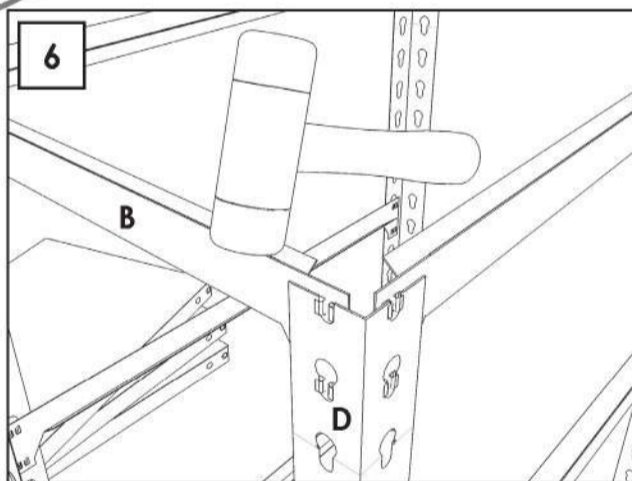
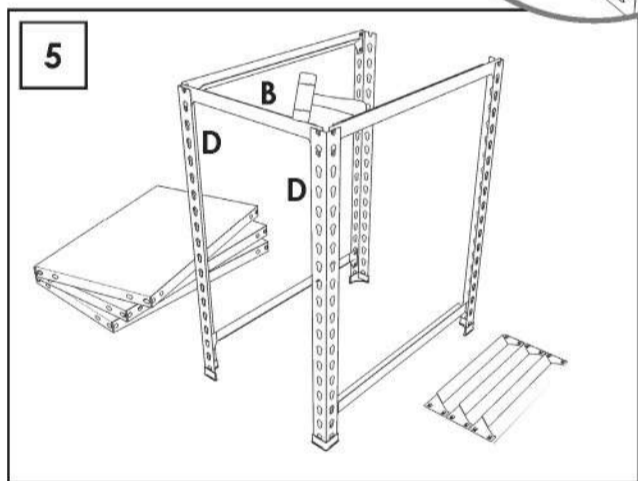
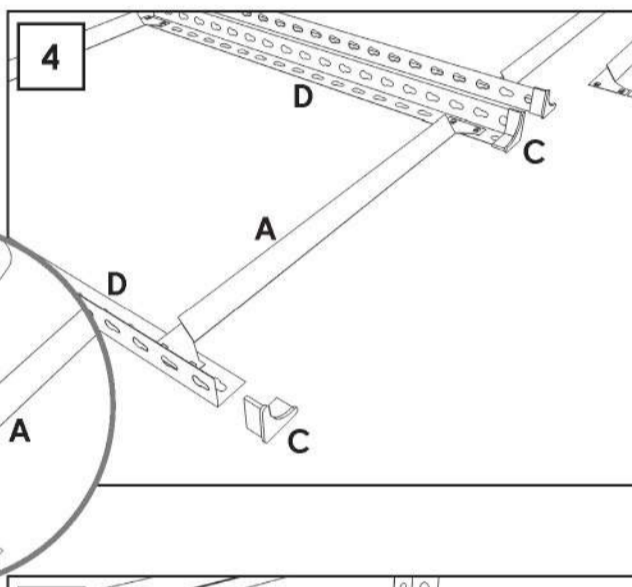
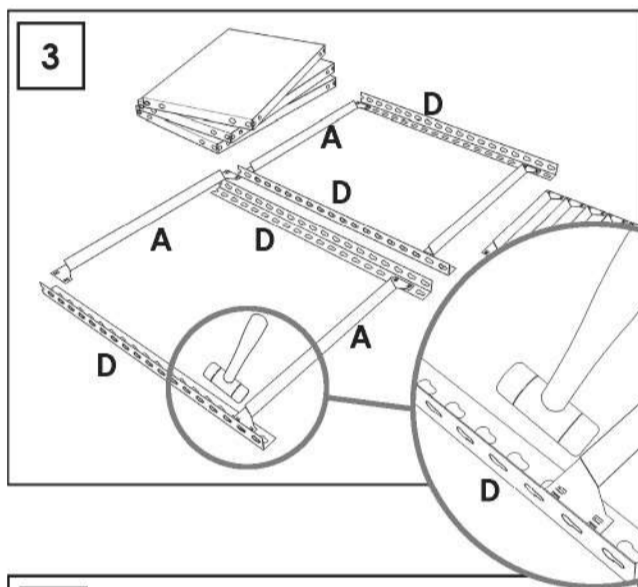
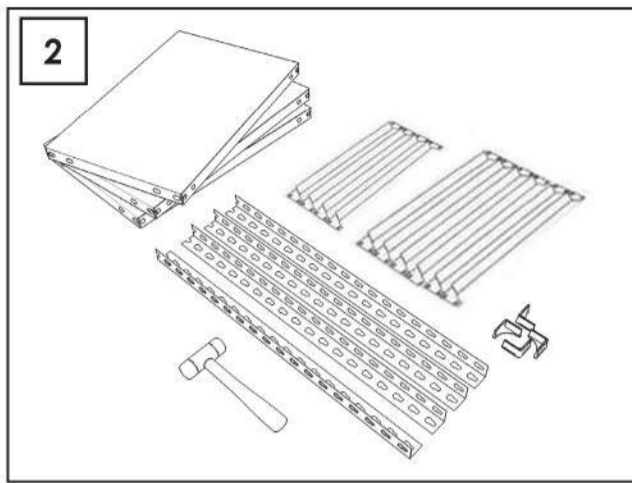
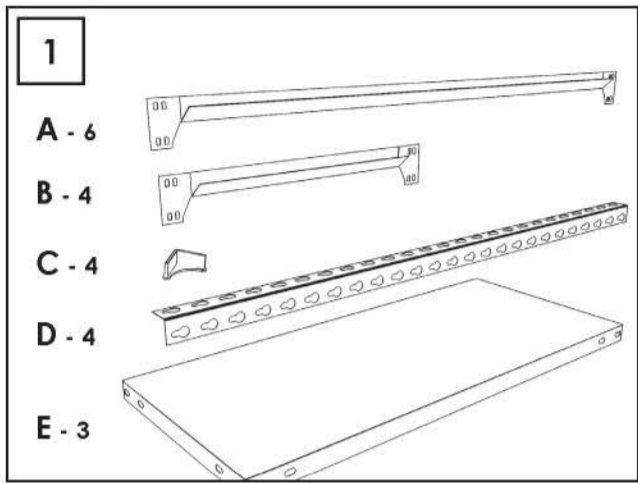
ESTANTERIAS SIMON S.L. B.50.556.463  
PG. ALFAMEN C/ POLIGONO C, N°3  
ALFAMEN (ZARAGOZA)



[www.simonrack.com](http://www.simonrack.com)



INSTRUCTIONS



**SIMONCLASSIC**

150 kg / 330 lb

**SIMONCLICK**

400 kg / 900 lb

**SIMONTALLER**

700 kg / 1550 lb

**SIMONAUTO**

300 kg / 660 lb

**SIMONWORK**

800 kg / 1800 lb

**SIMONLOCKER**

**SIMONOFFICE**

275 kg / 600 lb

**SIMONHOME**

150 kg / 330 lb

**SIMONGARDEN**

600 kg / 1350 lb

**SIMONTITÁN**     **SIMONINOX**

900 kg / 1990 lb

**SIMONINDUSTRIAL**

**SIMONPALET**     **SIMONLEVER**

4500 kg / 9950 lb

ALTILOS Y PASILLOS ELEVADOS  
PLATFORMS AND MEZZANINES  
LAGERBÜHNEN • PLATES-FORMES ET MEZZANINES

www.simonrack.com • www.instructionsrack.com/simonclick

