

157.5 X 90 X 40 CM

62" X 35.4" X 15.8"

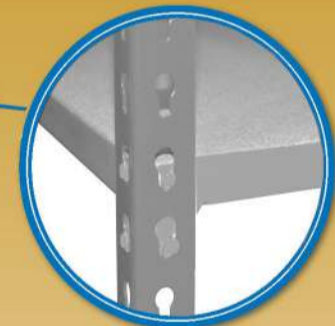
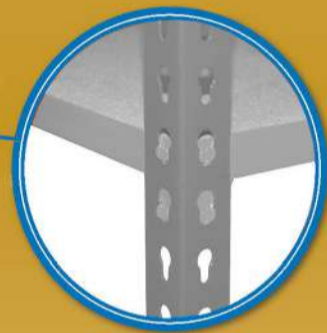
MADERCLICK

MOBILE

4/400

5 Años Garantía
Years Guarantee
Jahre Garantie
Anos de Garantia
SIMONRACK

Carga uniformemente repartida
Evenly distributed load
Gleichmäßig verteilte Last
Charge uniformément répartie
Carga uniformemente distribuida



*MEDIDAS EN USO USED MEASUREMENTS
MASSNAHMEN IM EINSATZ MESURES EN EMPLOI MEDIDAS EN USO:
1500 x 910 x 410 mm (59.1" x 35.8" x 16.1")



ESTANTERIAS SIMON S.L. B.50.556.463
PG. ALFAMEN C/ POLIGONO C, Nº3
ALFAMEN (ZARAGOZA)

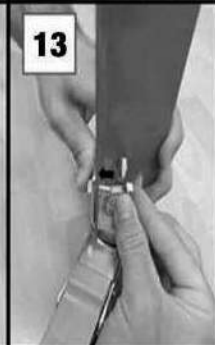
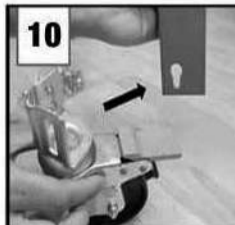
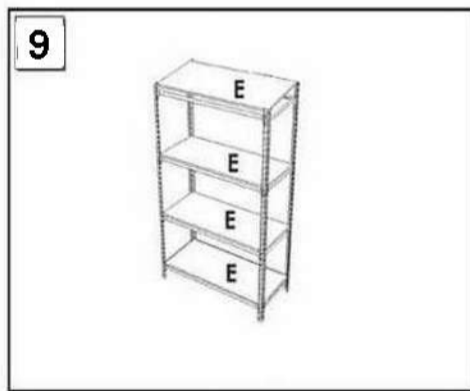
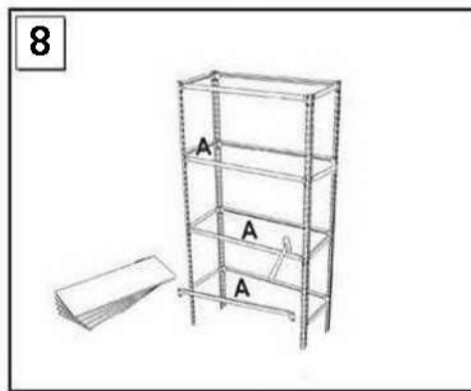
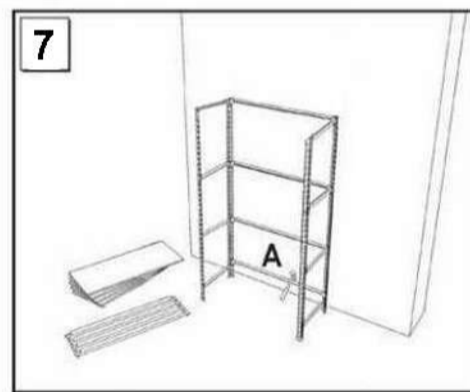
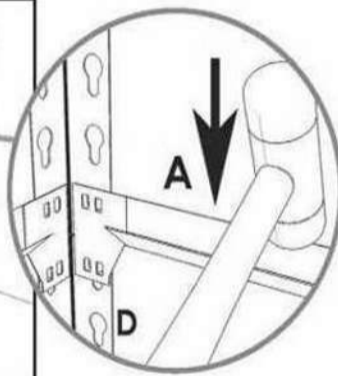
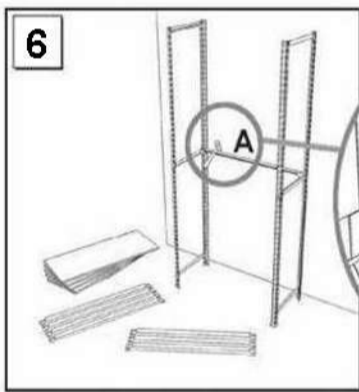
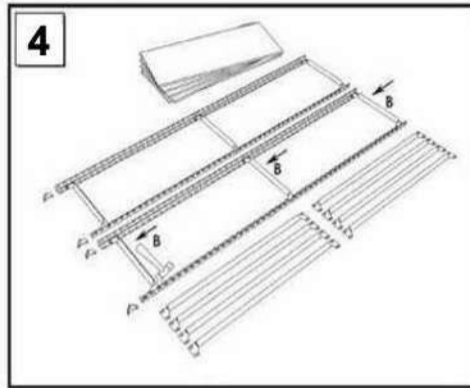
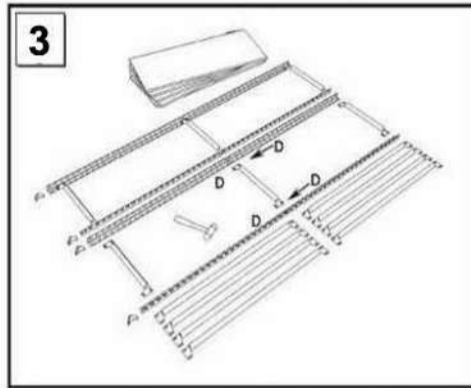
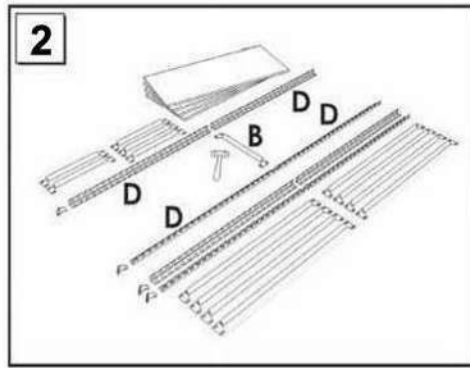
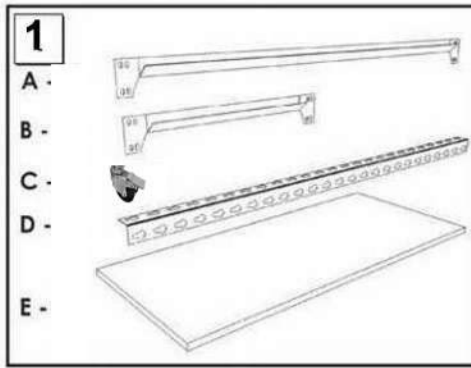


www.simonrack.com



INSTRUCTIONS

Standard Mounting



www.simonrack.com • www.simonrack.com • www.simonrack.com • www.simonrack.com • www.simonrack.com • www.simonrack.com • www.simonrack.com • www.simonrack.com • www.simonrack.com • www.simonrack.com

SIMONCLASSIC

BOLTS SYSTEM

Up to:
150 Kg
(331 lb)
Kg/Shelf
Uniformly Distributed Load



SIMONCLICK

NO BOLTS SYSTEM

Up to:
400 Kg
(882 lb)
Kg/Shelf
Uniformly Distributed Load



SIMONOFFICE

NO BOLTS SYSTEM

Up to:
275 Kg
(606 lb)
Kg/Shelf
Uniformly Distributed Load



SIMONTALLER

NO BOLTS SYSTEM

Up to:
700 Kg
(1543 lb)
Kg/Shelf
Uniformly Distributed Load



BANCOS DE TRABAJO WORK BENCHES

Up to:
800 Kg
(1764 lb)
Kg/Shelf
Uniformly Distributed Load



SIMONHOME

Up to:
150 Kg
(331 lb)
Kg/Shelf
Uniformly Distributed Load



TAGUILLAS LOCKER



SIMONTITÁN

NO BOLTS SYSTEM

Up to:
600 Kg
(1323 lb)
Kg/Shelf
Uniformly Distributed Load



SIMONINOX

NO BOLTS SYSTEM

Up to:
1100 Kg
(2425 lb)
Kg/Shelf
Uniformly Distributed Load



SIMONPALET

Up to:
4500 Kg
(9921 lb)
Kg/Shelf
Uniformly Distributed Load



SIMONLEVER



ALTILLOS Y PASILLOS ELEVADOS PLATFORMS AND MEZZANINES

