

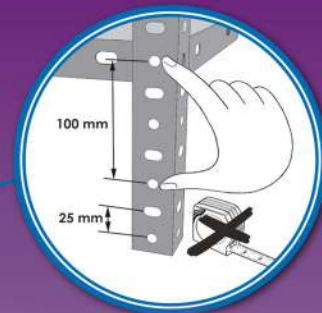
100 x 80 x 40 cm

39.3" x 31.5" x 15.7"

ADVANTAGE MINI 3/400

5 Años Garantía
Years Guarantee
Jahre Garantie
Ans Garantie
Anos de Garantia

SIMONRACK



**Simon
Rack**

SINCE 1964 - MANUFACTURER

*MEDIDAS EN USO / VIDEO MEASUREMENTS / MASSNABEN IM EINSATZ / MESURES EN EMPLOI / MEDIDAS EN USO:

1000 x 810 x 410 mm (39.3" x 31.9" x 16.1")



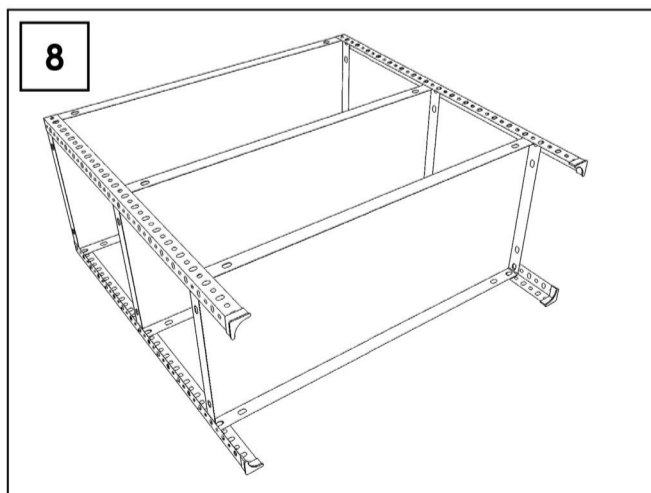
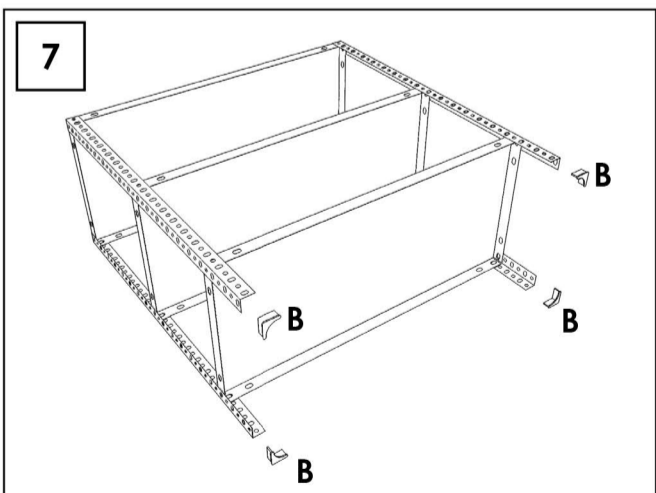
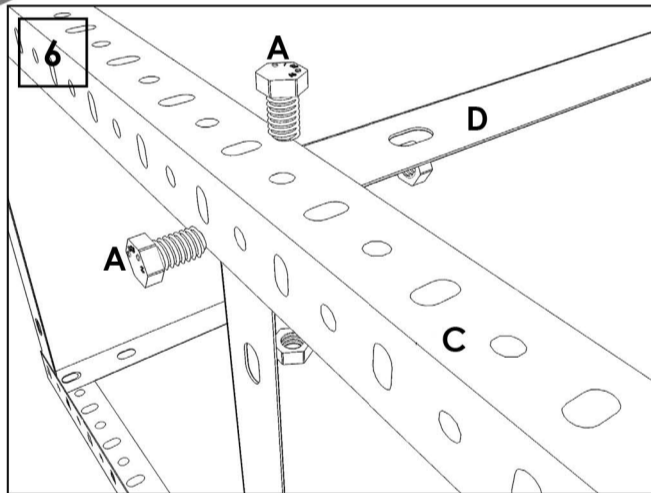
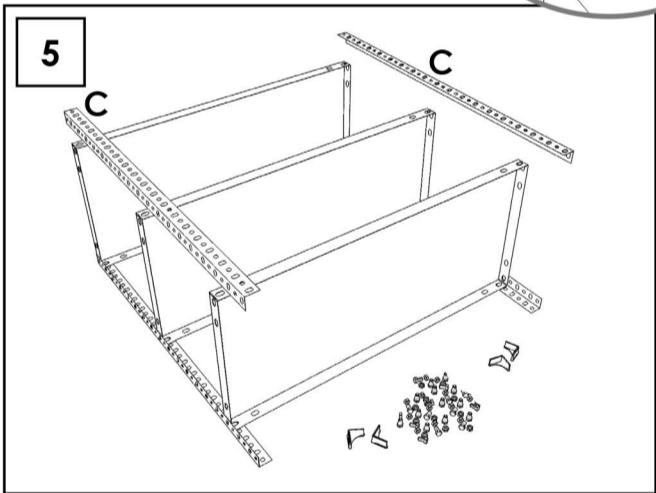
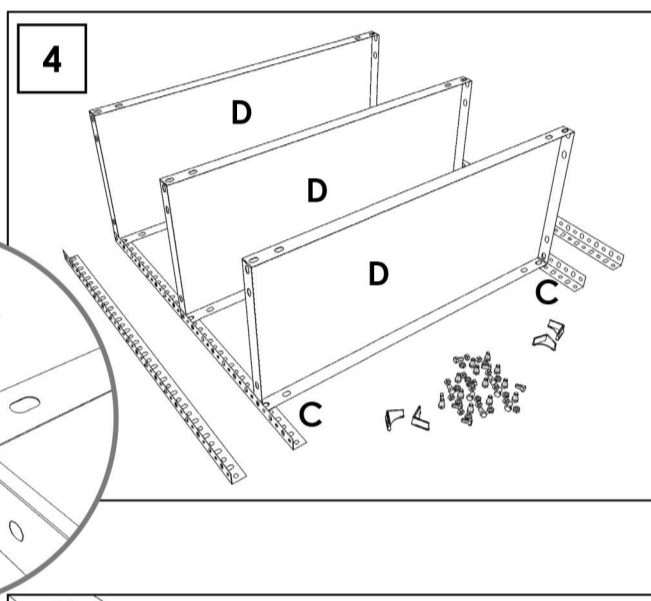
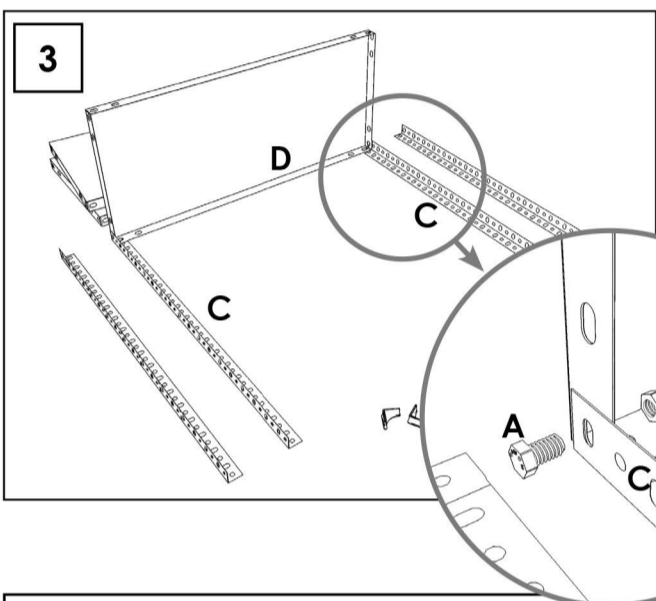
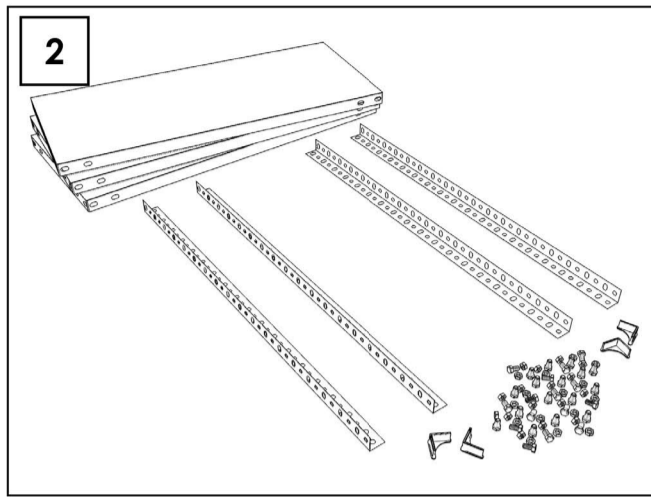
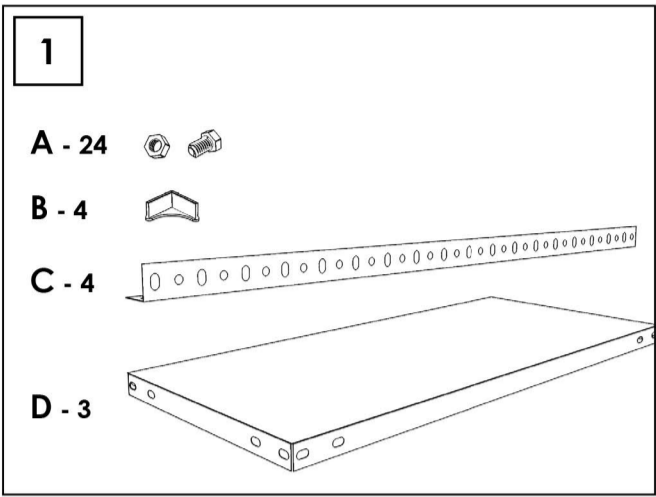
ESTANTERIAS SIMON S.L. B.50.556.463
PG. ALFAMEN C/ POLIGONO C, N°3
ALFAMEN (ZARAGOZA)



www.simonrack.com



INSTRUCCIONES
INSTRUCTIONS
ANLEITUNG
INSTRUCTIONS



www.simonrack.com • www.simonrack.com • www.simonrack.com • www.simonrack.com • www.simonrack.com • www.simonrack.com • www.simonrack.com • www.simonrack.com • www.simonrack.com • www.simonrack.com • www.simonrack.com

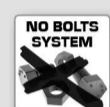
SIMONCLASSIC



SIMONCLICK



OFFIClick



SIMONFORTE



SIMONCROMO



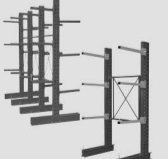
SIMONINOX



SIMONTITAN



SIMONLEVER



SIMONPALET

