

250 x 80 x 40 cm

98.4" x 31.5" x 15.7"

SIMONCLICK MINI 6/400

5 Años Garantía
Years Guarantee
Jahre Garantie
Anos de Garantía
SIMONRACK

250 cm (98.4")



1080 kg (2380 lb) Total



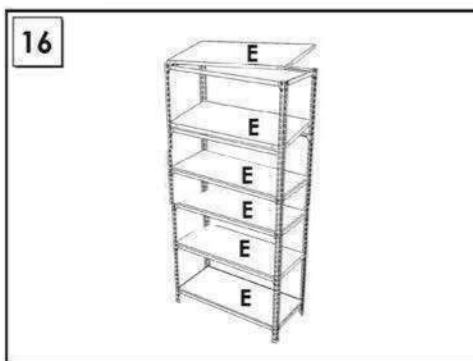
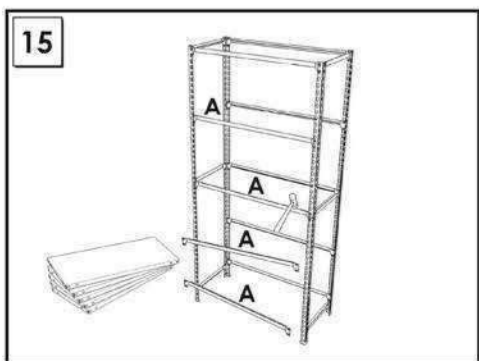
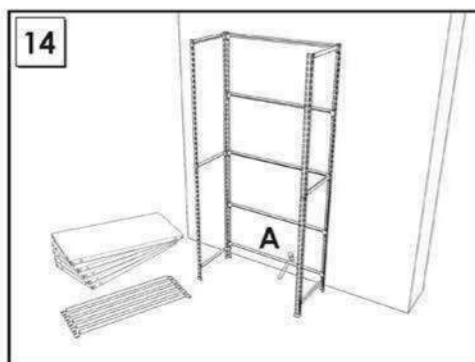
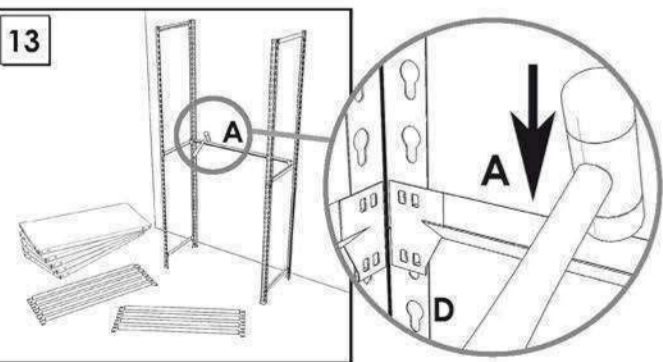
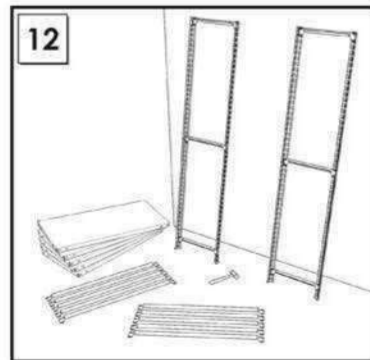
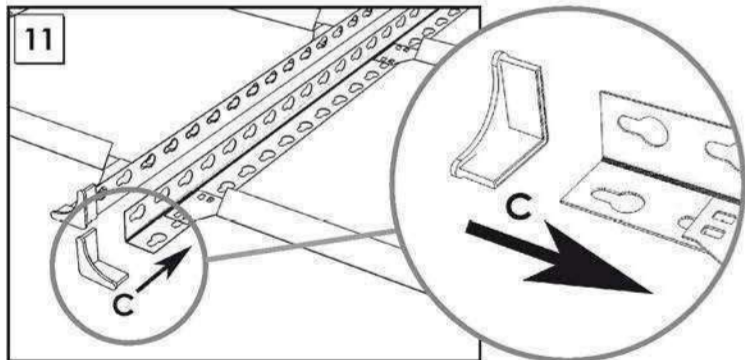
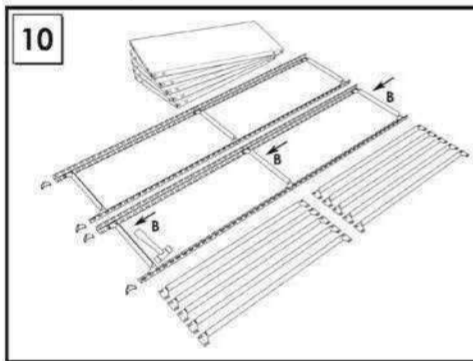
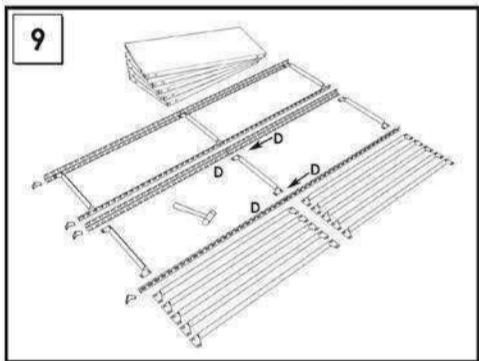
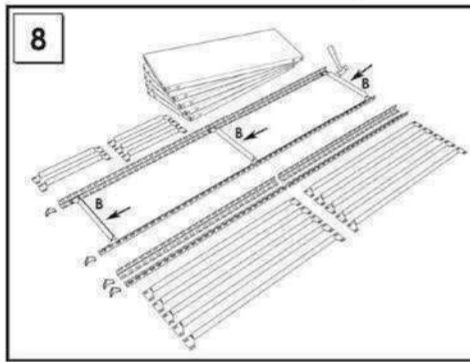
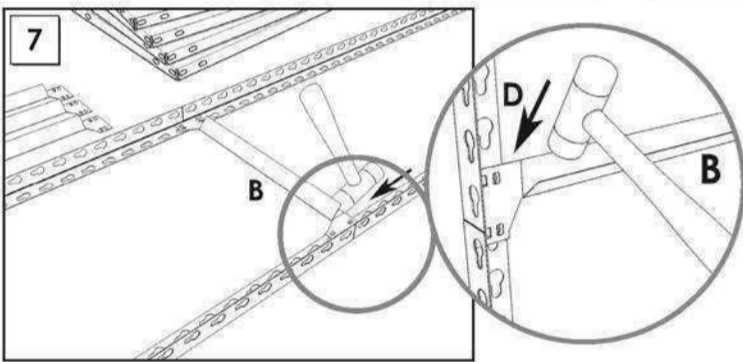
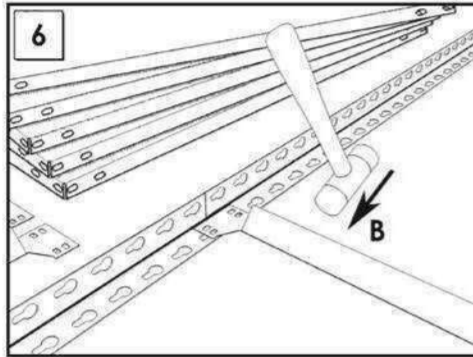
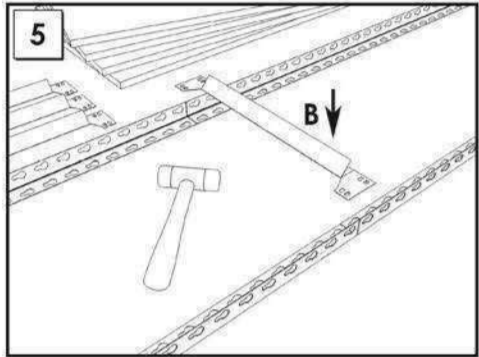
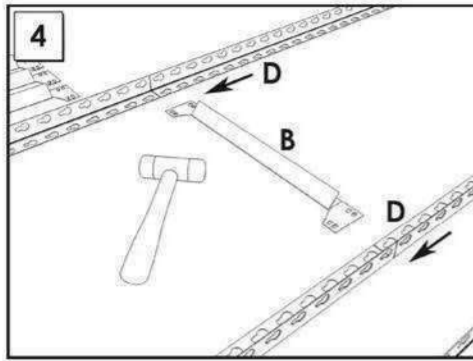
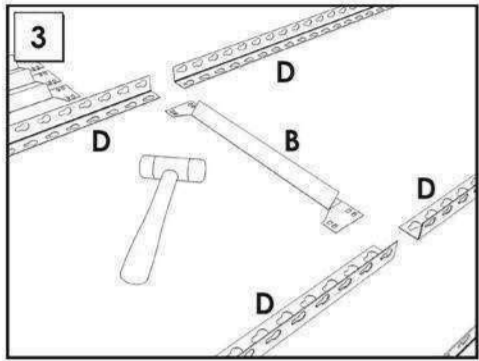
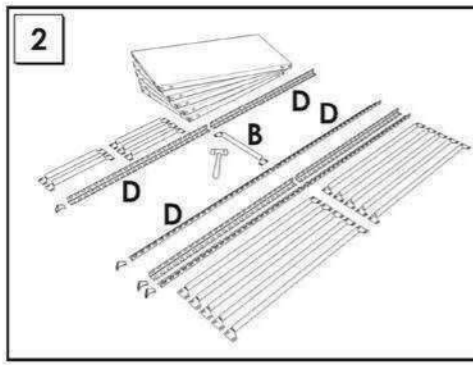
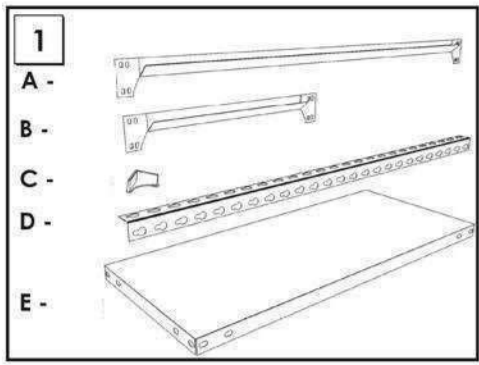
*MEDIDAS EN USO USED MEASUREMENTS
MASSNAHMEN IM EINSATZ MESURES EN EMPLOI MEDIDAS EN USO:
2485 x 810 x 410 mm (97.83" x 31.8" x 16.1")



www.simonrack.com



INSTRUCTIONS



www.simonrack.com • www.simonrack.com • www.simonrack.com • www.simonrack.com • www.simonrack.com • www.simonrack.com • www.simonrack.com • www.simonrack.com • www.simonrack.com • www.simonrack.com

SIMONCLASSIC



SIMONCLICK



SIMONOFFICE



SIMONTALLER



**BANCOS DE TRABAJO
WORK BENCHES**



SIMONHOME



**TAQUILLAS
LOCKER**



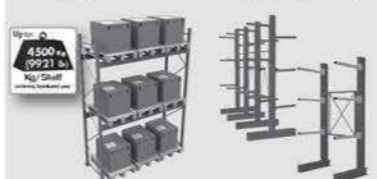
SIMONTITÁN

SIMONINOX



SIMONPALET

SIMONLEVER



**ALTILLOS Y PASILLOS ELEVADOS
PLATFORMS AND MEZZANINES**

