

# 150 x 110 x 30 cm

## 59.1" x 43.3" x 11.8"

### SIMONCLICK SUPERPLUS 4/300

**5** Años Garantía  
Years Guarantee  
Jahre Garantie  
Ans Garantie  
**SIMONRACK**



**800 kg**  
**(1760 lb)**  
**Total**



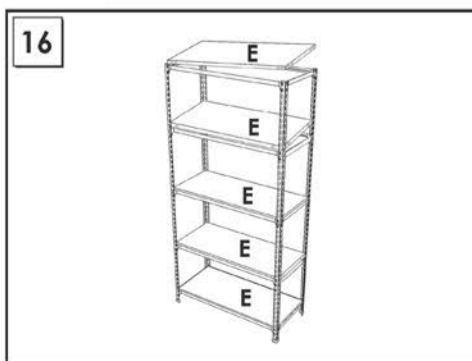
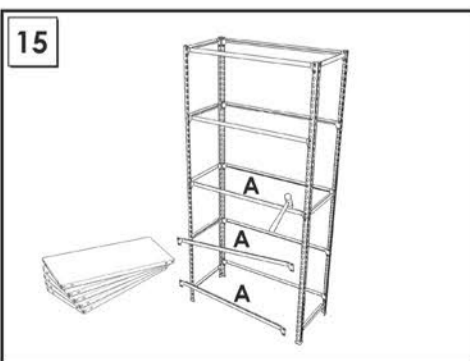
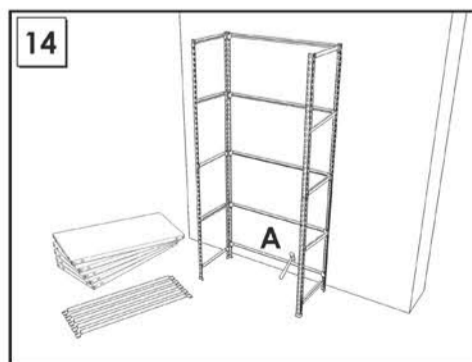
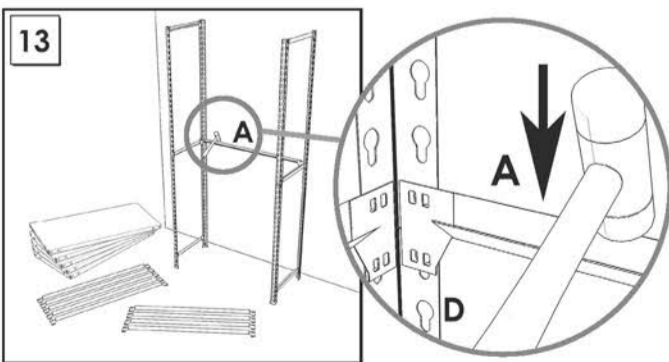
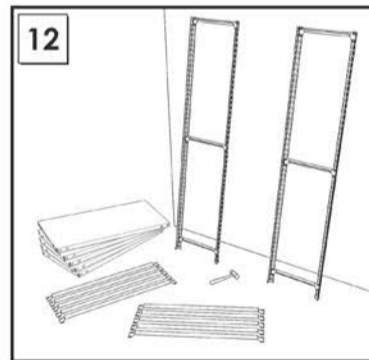
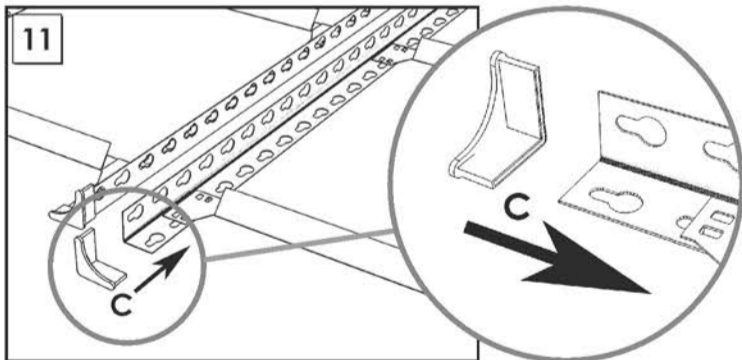
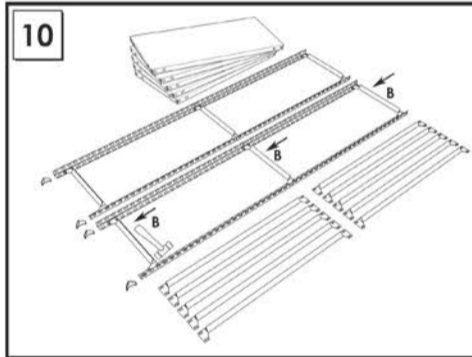
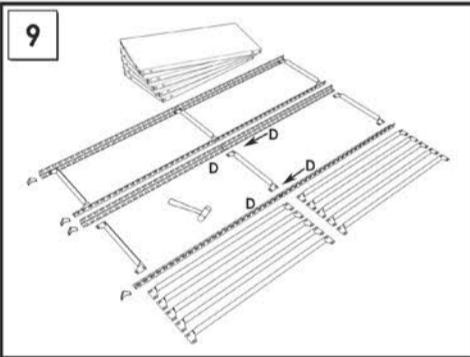
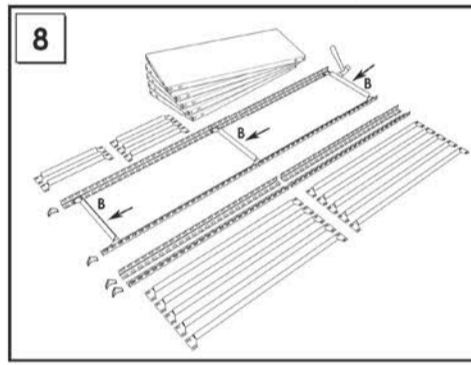
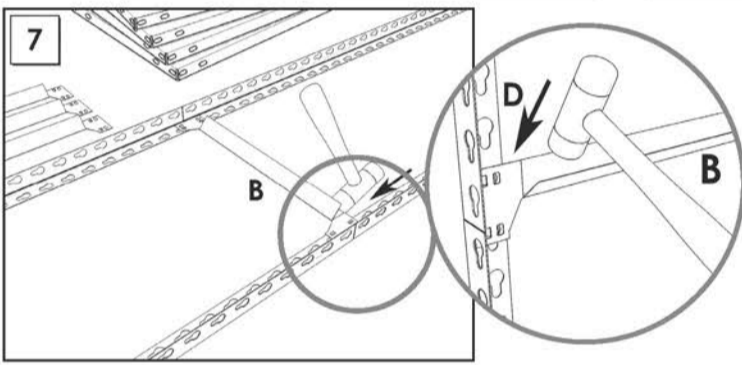
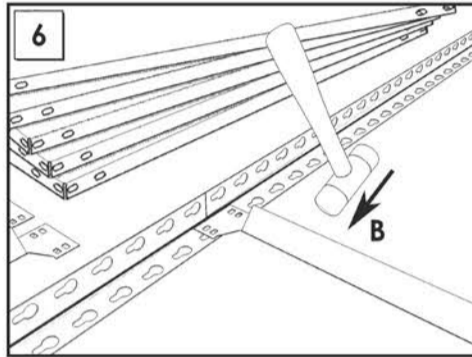
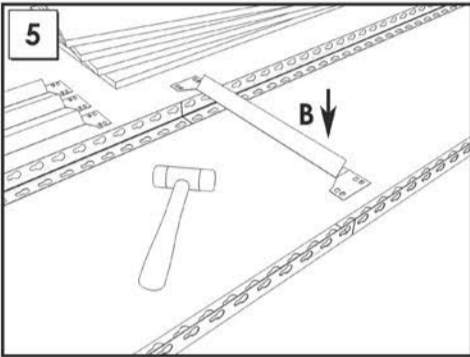
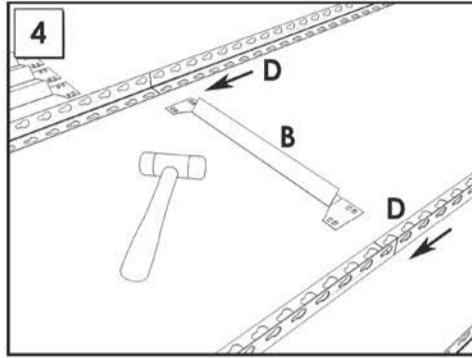
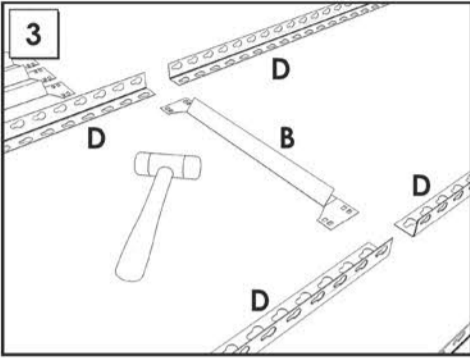
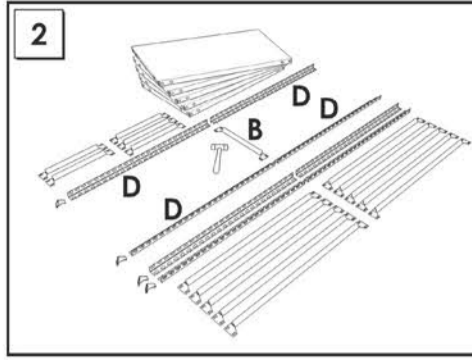
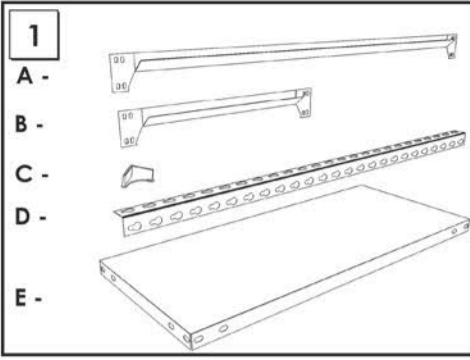
ESTANTERIAS SIMON S.L. B.50.556.463  
PG. ALFAMEN C/ POLIGONO C, N°3  
ALFAMEN (ZARAGOZA)



[www.simonrack.com](http://www.simonrack.com)



**INSTRUCTIONS**



On-line instructions: [www.instructionsrack.com/simonclick](http://www.instructionsrack.com/simonclick)

**SIMONCLASSIC**



**SIMONCLICK**



**SIMONOFFICE**



**SIMONTALLER**



**BANCOS DE TRABAJO  
WORK BENCHES**



**SIMONHOME**



**TAQUILLAS  
LOCKER**



**SIMONTITÁN**



**SIMONINOX**



**SIMONPALET**



**SIMONLEVER**



**ALTILLOS Y PASILLOS ELEVADOS  
PLATFORMS AND MEZZANINES**



www.simonrack.com • www.simonrack.com • www.simonrack.com • www.simonrack.com • www.simonrack.com • www.simonrack.com