

200 X 120 X 50 CM

78.7" X 47.2" X 19.7"

MADERCLICK MEGAPLUS 5/500

5 Años Garantía
Years Guarantee
Jahre Garantie
Ans Garantie
Anos de Garantia
SIMONRACK

200 kg
(440 lb)

200 kg
(440 lb)

200 kg
(440 lb)

200 kg
(440 lb)

200 kg
(440 lb)

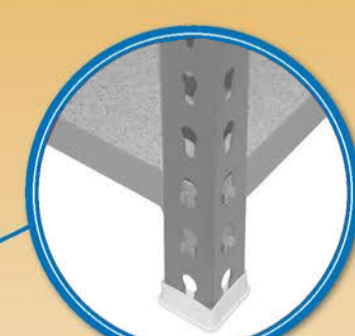
1000 kg
(2200 lb)
Total



200 cm (78.7")

50 cm (19.7")

120 cm (47.2")



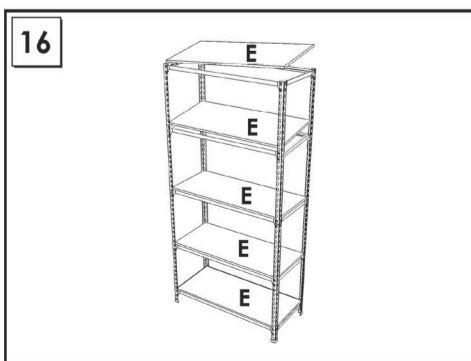
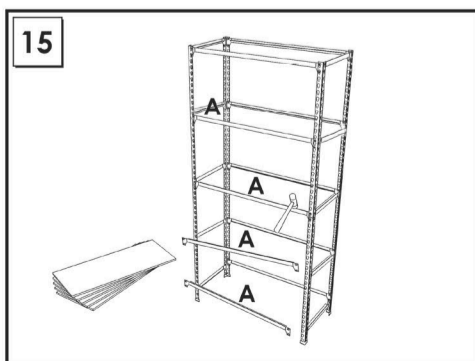
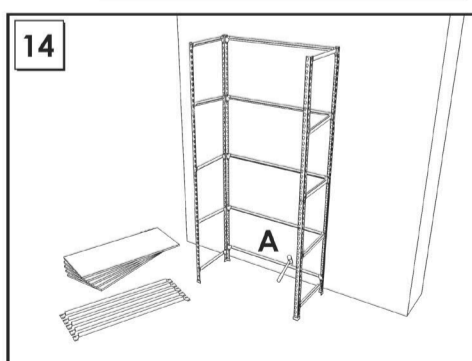
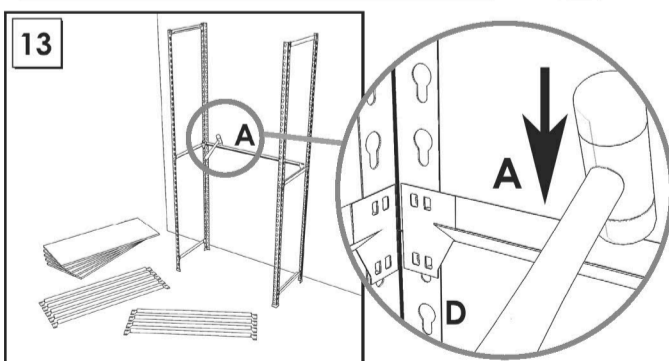
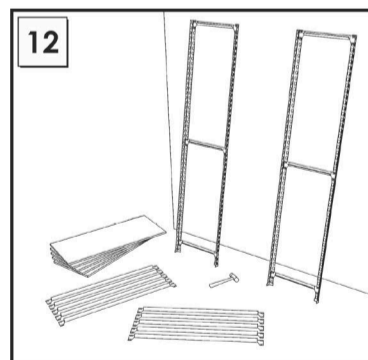
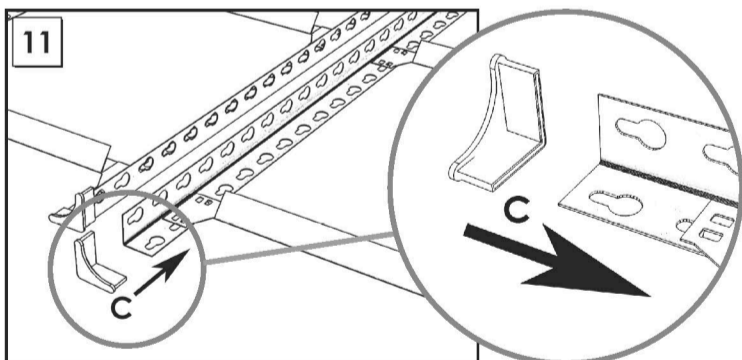
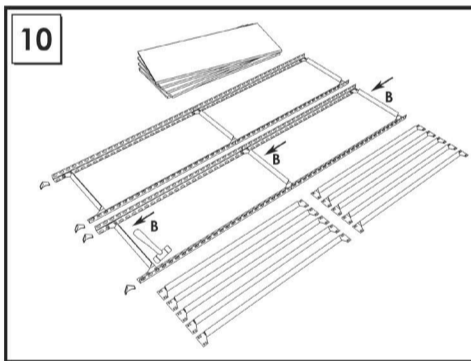
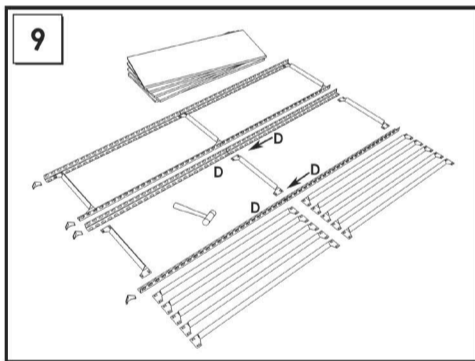
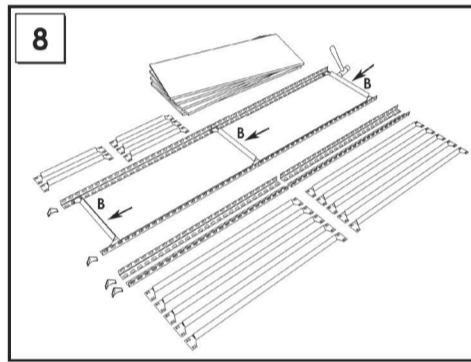
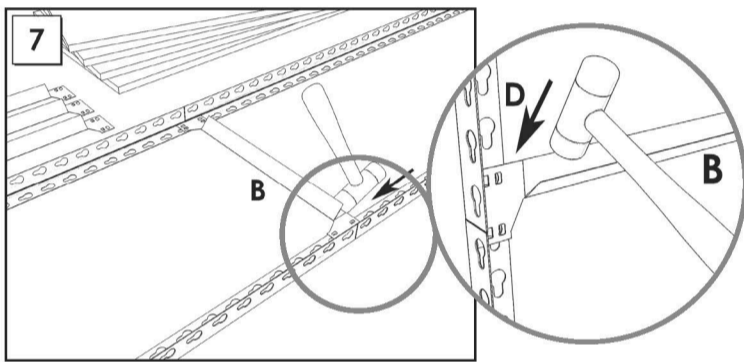
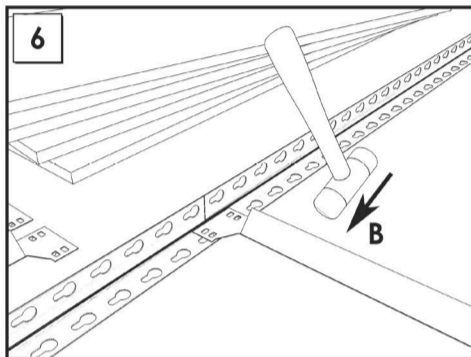
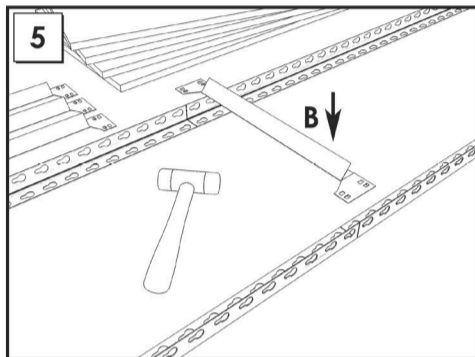
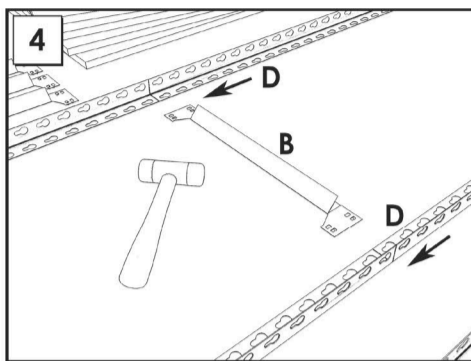
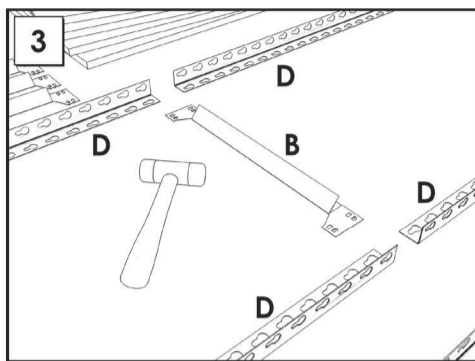
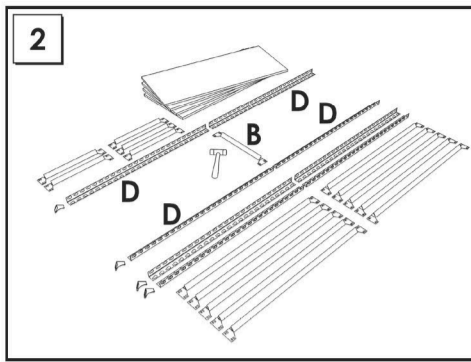
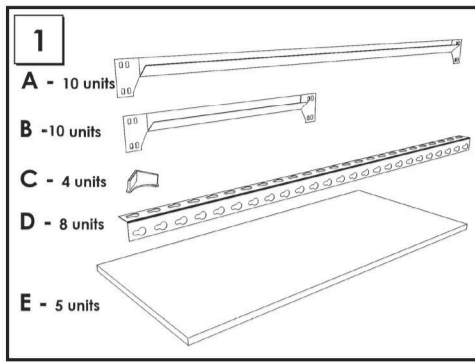
ESTANTERIAS SIMON S.L. B.50.556.463
PG. ALFAMEN C/ POLIGONO C, N°3
ALFAMEN (ZARAGOZA)



www.simonrack.com



INSTRUCTIONS



On-line instructions: www.instructionsrack.com/maderclick

www.simonrack.com • www.simonrack.com • www.simonrack.com • www.simonrack.com • www.simonrack.com • www.simonrack.com

SIMONCLASSIC



SIMONCLICK



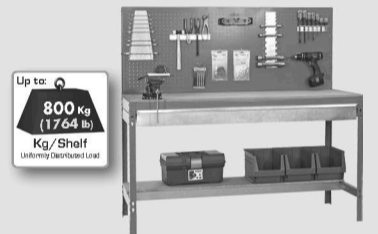
SIMONOFFICE



SIMONTALLER



**BANCOS DE TRABAJO
WORK BENCHES**



SIMONHOME



**TAQUILLAS
LOCKER**



SIMONTITÁN



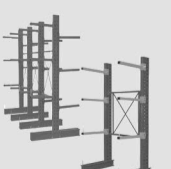
SIMONINOX



SIMONPALET



SIMONLEVER



**ALTILLOS Y PASILLOS ELEVADOS
PLATFORMS AND MEZZANINES**

