

# 250 X 110 X 30 CM

## 98.4" X 43.3" X 11.8"

### MADERCLICK SUPERPLUS 6/300

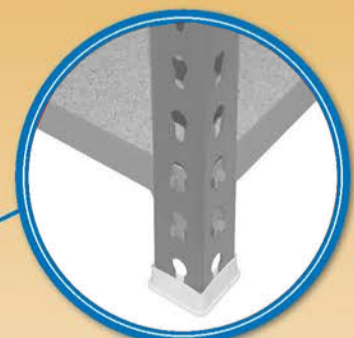
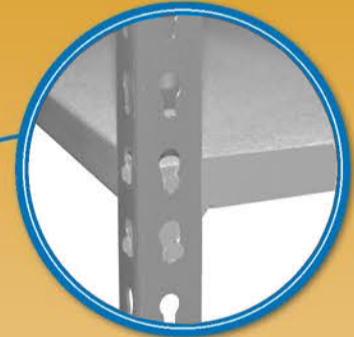
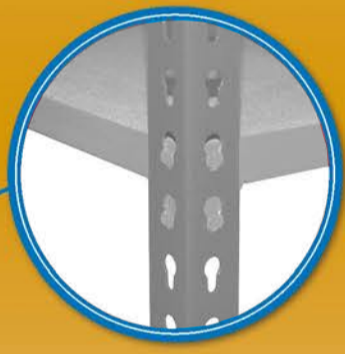


250 cm (98.4")

30 cm (11.8")

110 cm (43.3")

**1200 kg**  
(2646 lb)  
**Total**



ESTANTERIAS SIMON S.L. B.50.556.463  
PG. ALFAMEN C/ POLIGONO C, N°3  
ALFAMEN (ZARAGOZA)



www.simonrack.com



INSTRUCTIONS

