

250 X 110 X 30 CM

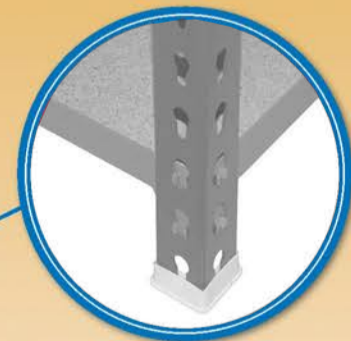
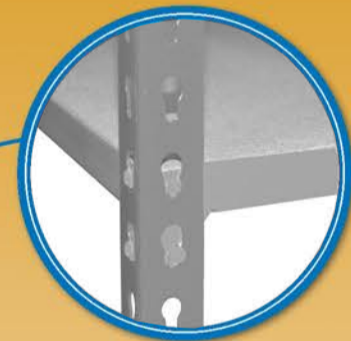
98.4" X 43.3" X 11.8"

MADERCLICK SUPERPLUS 6/300

5 Años Garantía
Years Guarantee
Jahre Garantie
Ans Garantie
Anos de Garantía
SIMONRACK



1200 kg
(2646 lb)
Total



ESTANTERIAS SIMON S.L. B.50.556.463
PG. ALFAMEN C/ POLIGONO C, N°3
ALFAMEN (ZARAGOZA)

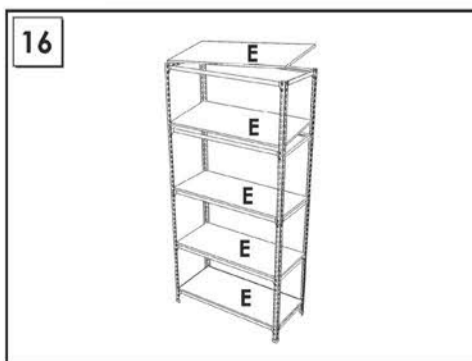
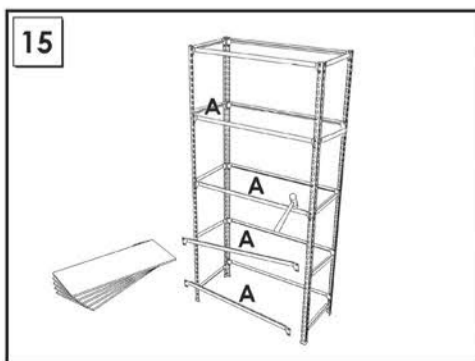
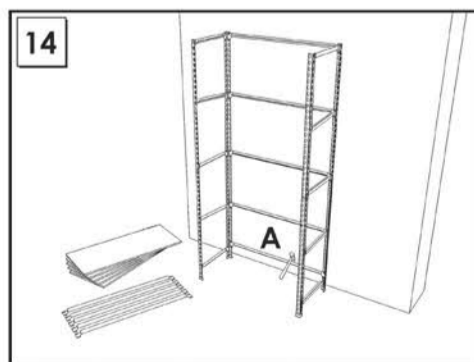
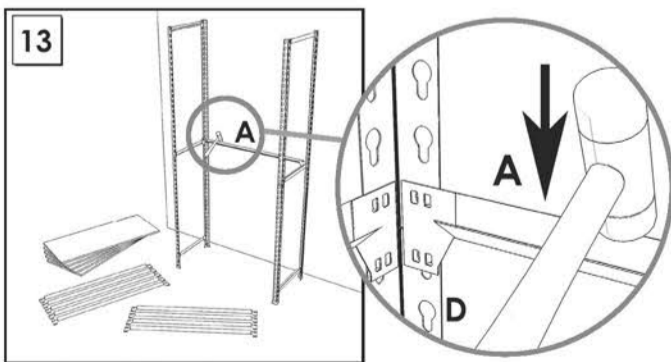
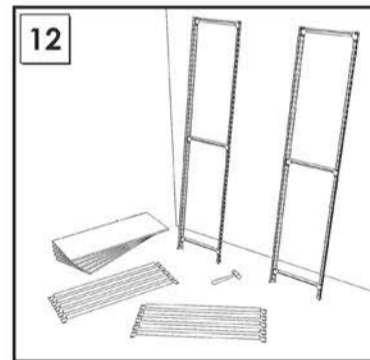
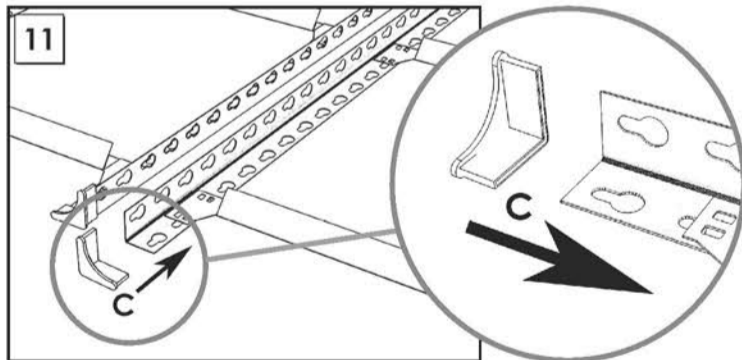
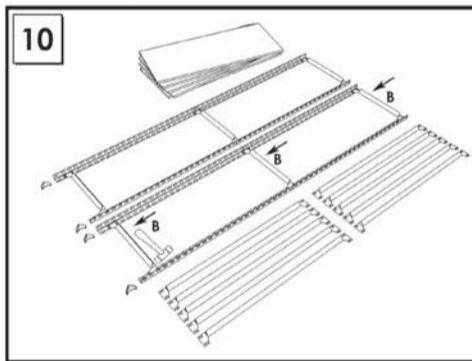
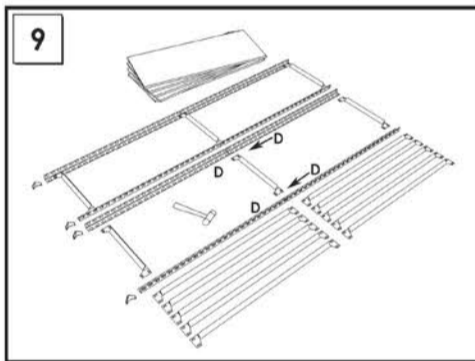
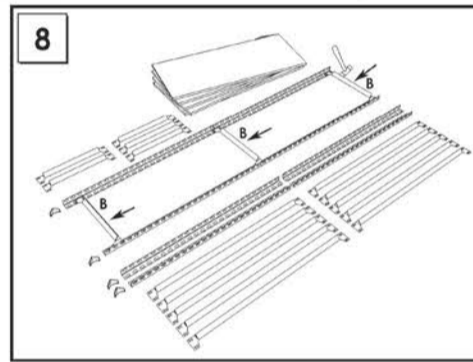
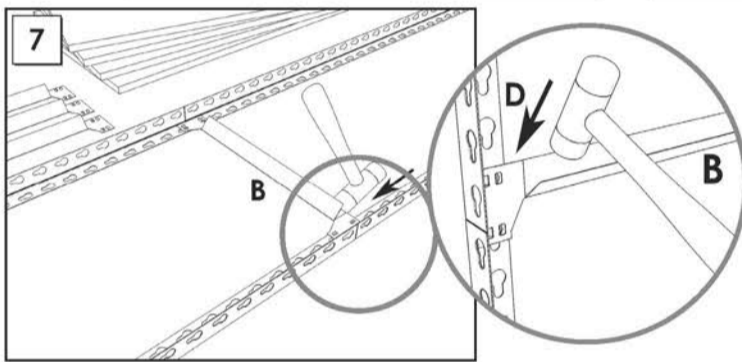
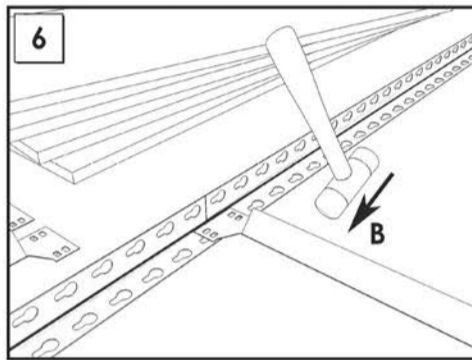
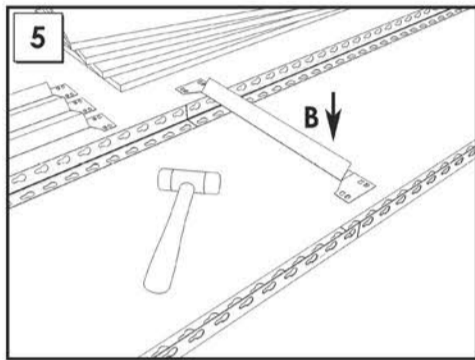
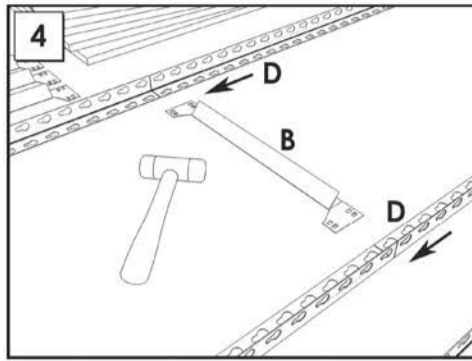
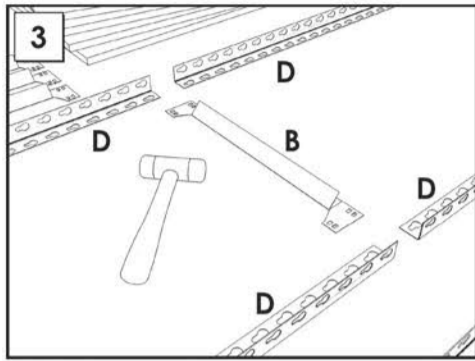
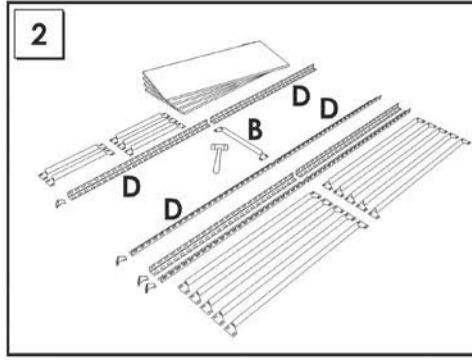
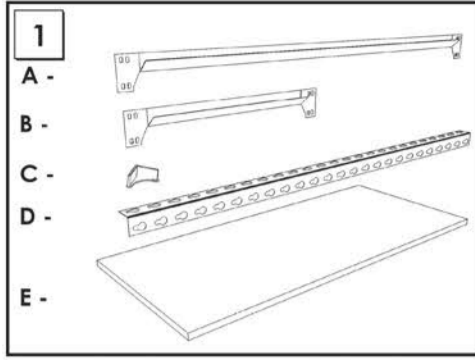
Simon
Rack
SINCE 1964 - MANUFACTURER



www.simonrack.com



INSTRUCTIONS



On-line instructions: www.instructionsrack.com/maderclick

SIMONCLASSIC



SIMONCLICK



SIMONOFFICE



SIMONTALLER



**BANCOS DE TRABAJO
WORK BENCHES**



SIMONHOME



**TAQUILLAS
LOCKER**



SIMONTITÁN



SIMONINOX



SIMONPALET



SIMONLEVER



**ALTILLOS Y PASILLOS ELEVADOS
PLATFORMS AND MEZZANINES**

