

# 250 X 110 X 40 CM

## 98.4" X 43.3" X 15.8"

### MADERCLICK SUPERPLUS 6/400

**5** Años Garantía  
Years Guarantee  
Jahre Garantie  
Ans Garantie  
Anos de Garantía  
**SIMONRACK**

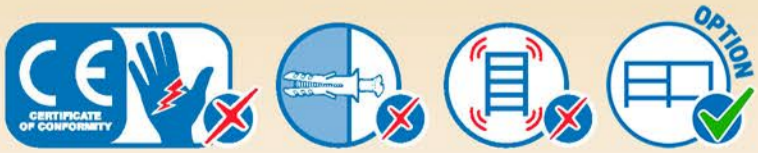
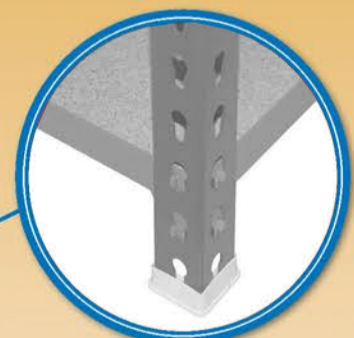
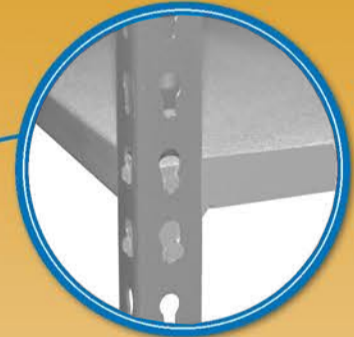
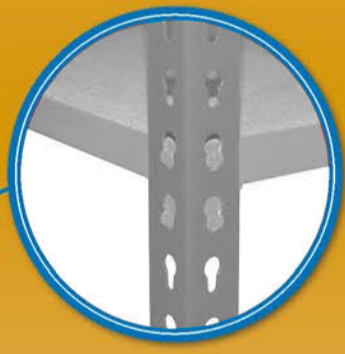


250 cm (98.4")

40 cm (15.8")

110 cm (43.3")

**1200 kg**  
(2646 lb)  
**Total**



ESTANTERIAS SIMON S.L. B.50.556.463  
PG. ALFAMEN C/ POLIGONO C, N°3  
ALFAMEN (ZARAGOZA)



[www.simonrack.com](http://www.simonrack.com)



**INSTRUCTIONS**

