

# 90 X 120 X 30 CM

## 35.4" X 47.2" X 11.8"

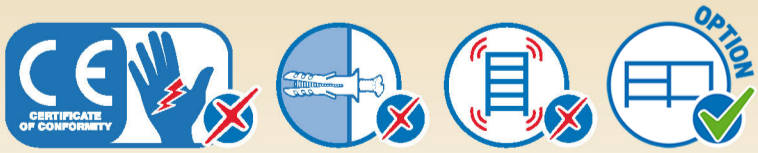
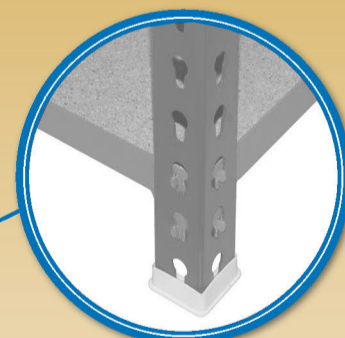
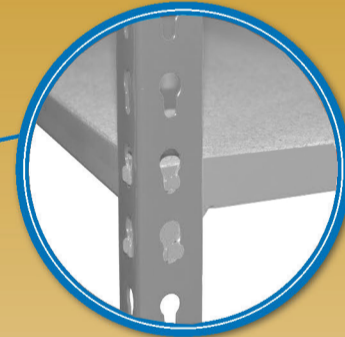
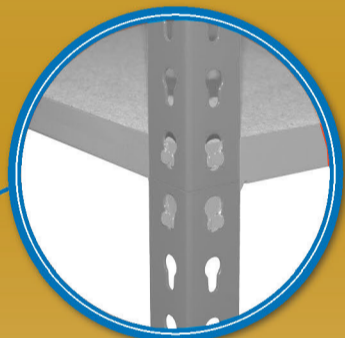
### MADERCLICK MEGAPLUS 3/300

**5** Años Garantía  
Years Guarantee  
Jahre Garantie  
Anos de Garantia

**SIMONRACK**



**600 kg**  
(1350 lb)  
**Total**



ESTANTERIAS SIMON S.L. B.50.556.463  
PG. ALFAMEN C/ POLIGONO C, Nº3  
ALFAMEN (ZARAGOZA)

**Simon**  
**Rack**  
SINCE 1964 - MANUFACTURER



[www.simonrack.com](http://www.simonrack.com)



INSTRUCTIONS

